

## PREFACE

1.This master price list of GT250 was newly prepared and the prices herein will be effective on orders received by us and after February 18, 2003.

Any price list of GT250 issued previously is no longer valid.

2.This master price list is based on US\$ and EUR, and the prices are per a piece, not per sales unit.

3.Prices and sales unit in this master price list may be changed without prior notice.

**HYOSUNG MOTORS & MACHINERY INC.**

## REFERENCE

1. Table of specification classified by special country code (registered in Feb 18, 2003)

- 1) MEN01 : IRELAND, UK
- 2) MEU01 : FRANCE, GREECE, ITALY, NETHERLANDS, PORTUGAL, SLOVENIA, SPAIN, SWEDEN
- 3) MAT01 : AUSTRALIA
- 4) MG01 : GERMANY
- 5) NUS01 : AMERITECH

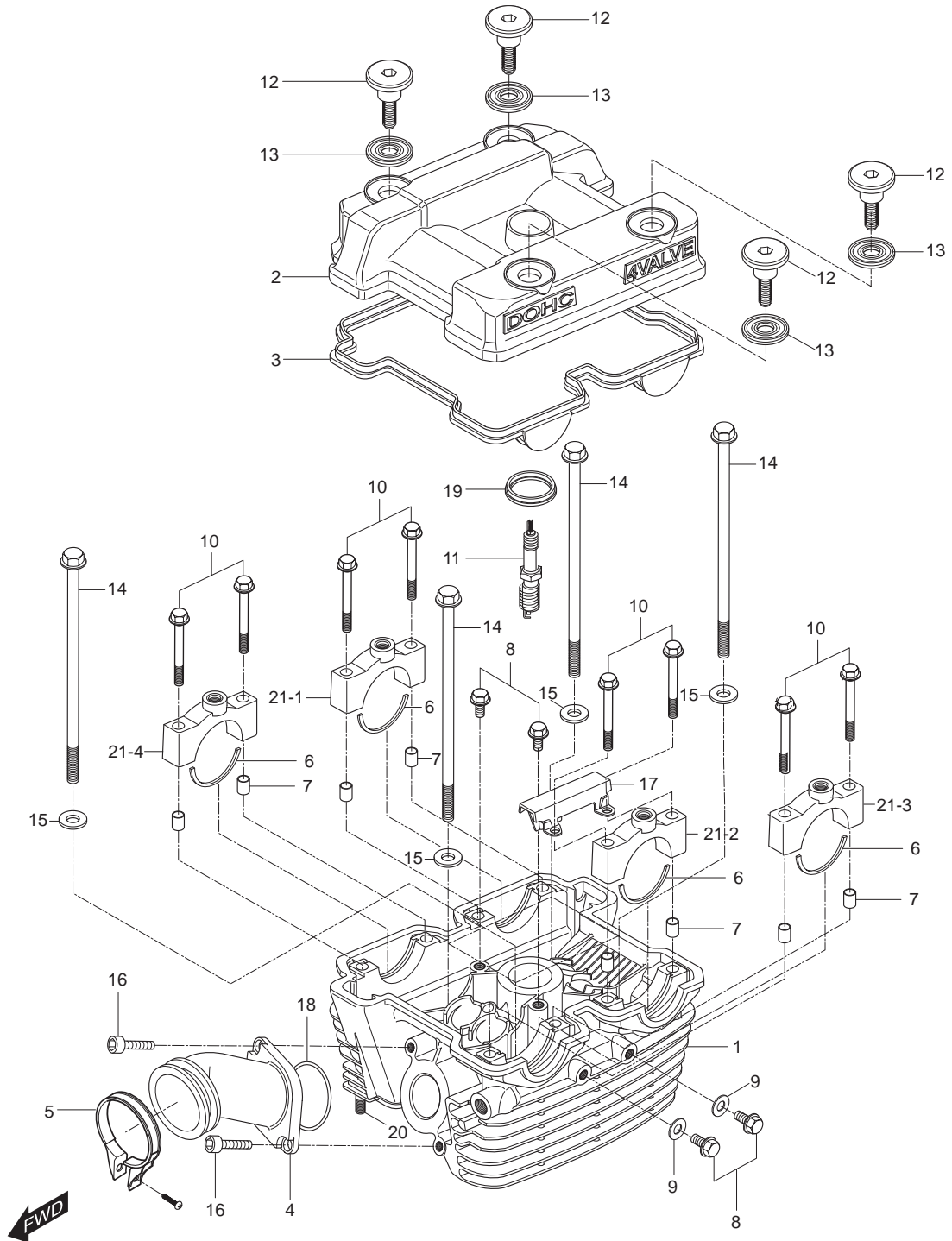
2. Special demand

When you order plastic covers including Fuel tank, please add color code to the end of parts number and it will be helpful to register your parts order.

Color code : CMB(Midnight Black),CMO(Mango Orange),CTR(Twinkle Red),CRB(RED AND BLUE)

**HYOSUNG MOTORS & MACHINERY INC.**

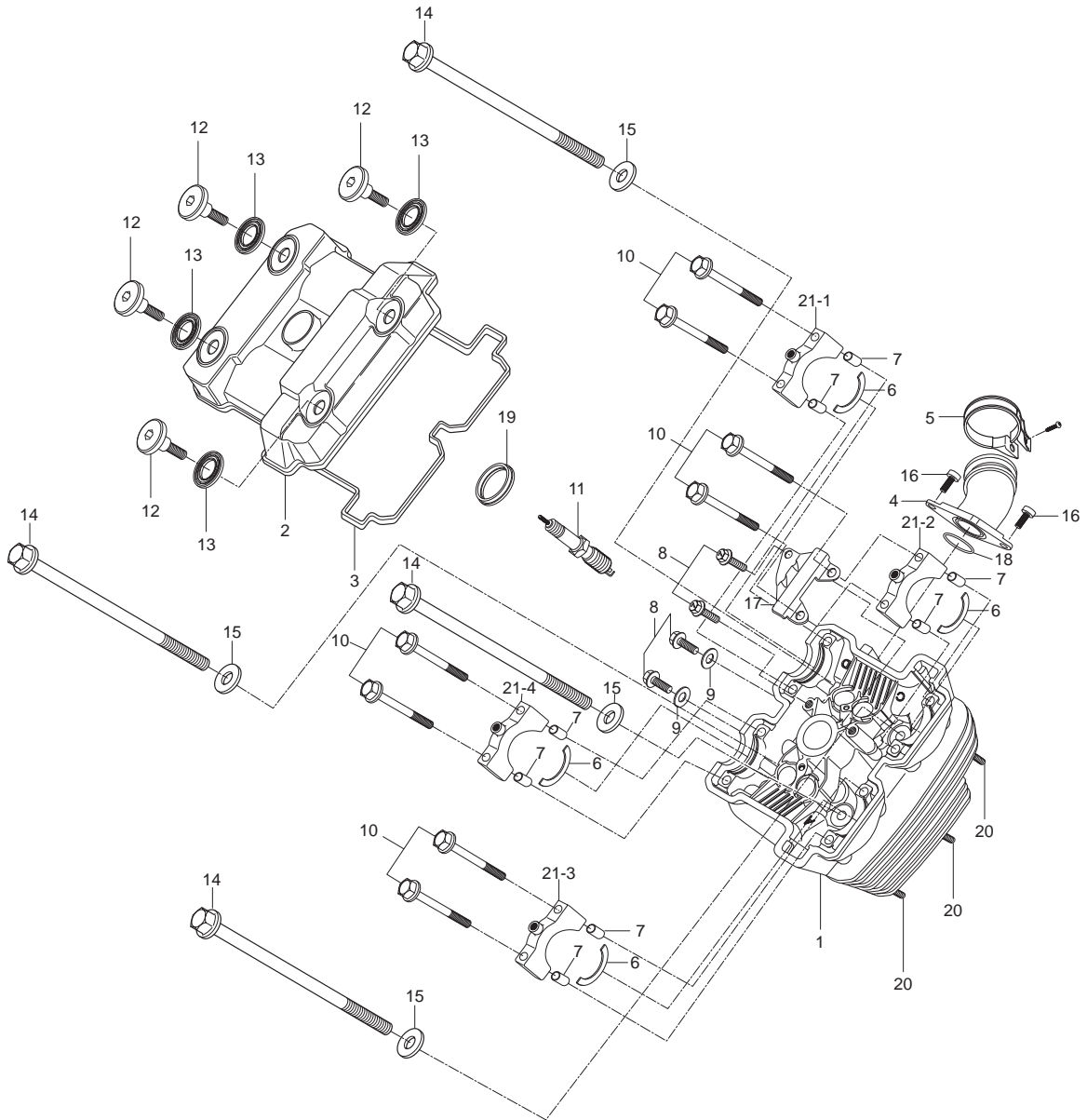
FIG 1-1



# FIG 1-1. CYLINDER HEAD/ (FRONT)

REF. PARTS NO.							PARTS NAME	Q`TY	REMARKS	REC.Q`TY / 100 Units
NO.	DOMESTIC	MAT01	MEN01	MEU01	MG01	NUS01				(PCS)
1	11110SM8100HPA	11110SM8100HPA	11110SM8100HPA	11110SM8100HPA	11110SM8100HPA	11110SM8100HPA	HEAD ASS`Y, cylinder	1		6
2	11171HG510203S	11171HG510203S	11171HG510203S	11171HG510203S	11171HG510203S	11171HG510203S	COVER, cylinder head	1		6
3	11173HG5100	11173HG5100	11173HG5100	11173HG5100	11173HG5100	11173HG5100	GASKET, cylinder head cover	1		20
4	13110HM8101	13110HM8101	13110HM8101	13110HM8101	13110HM8101	13110HM8101	PIPE COMP, intake front	1	~KM4MJ51B441100562	5
4~1	13110HM8102	13110HM8102	13110HM8102	13110HM8102		13110HM8102	PIPE COMP, intake front	1	KM4MJ51B441100563~	
5	09402-44207	09402-44207	09402-44207	09402-44207	09402-44207	09402-44207	CLAMP, carburetor	1		10
6	09390-35001	09390-35001	09390-35001	09390-35001	09390-35001	09390-35001	C-RING, camshaft	4		
7	09206-08001	09206-08001	09206-08001	09206-08001	09206-08001	09206-08001	PIN, camshaft housing knock	8		
8	02122-06308	02122-06308	02122-06308	02122-06308	02122-06308	02122-06308	BOLT, oil galley(M6X12)	4		
9	09168H06019	09168H06019	09168H06019	09168H06019	09168H06019	09168H06019	GASKET, oil galley bolt	2		
10	09103-06013	09103-06013	09103-06013	09103-06013	09103-06013	09103-06013	BOLT, camshaft housing(M6X	8		36
11	09482-00456	09482-00456	09482-00456	09482-00456	09482-00456	09482-00456	PLUG, spark CR8E	1		20
12	09109H07018	09109H07018	09109H07018	09109H07018	09109H07018	09109H07018	BOLT, cylinder head cover(M7	4		
13	09161H11008	09161H11008	09161H11008	09161H11008	09161H11008	09161H11008	WASHER, cylinder head cover	4		24
14	09103H08306	09103H08306	09103H08306	09103H08306	09103H08306	09103H08306	BOLT, cylinder head(L=130)	4		24
15	09168-08021	09168-08021	09168-08021	09168-08021	09168-08021	09168-08021	GASKET, cylinder head bolt	4		40
16	09119H06002	09119H06002	09119H06002	09119H06002	09119H06002	09119H06002	BOLT, intake pipe(M6X16)	2		
17	12782-35C00	12782-35C00	12782-35C00	12782-35C00	12782-35C00	12782-35C00	GUIDE, camchain NO.2	1		
18	09280H34000	09280H34000	09280H34000	09280H34000	09280H34000	09280H34000	O-RING, intake pipe	1		8
19	11178-17E00	11178-17E00	11178-17E00	11178-17E00	11178-17E00	11178-17E00	GASKET, cylinder head cover	1		10
20	01421-06258	01421-06258	01421-06258	01421-06258	01421-06258	01421-06258	BOLT, cylinder head stud(M6x	3		
21-1	11121-35C00PCH	11121-35C00PCH	11121-35C00PCH	11121-35C00PCH	11121-35C00PCH	11121-35C00PCH	HOUSING, camshaft No.1	1		
21-2	11122-35C00PCH	11122-35C00PCH	11122-35C00PCH	11122-35C00PCH	11122-35C00PCH	11122-35C00PCH	HOUSING, camshaft No.2	1		
21-3	11123-35C00PCH	11123-35C00PCH	11123-35C00PCH	11123-35C00PCH	11123-35C00PCH	11123-35C00PCH	HOUSING, camshaft No.3	1		
21-4	11124-35C00PCH	11124-35C00PCH	11124-35C00PCH	11124-35C00PCH	11124-35C00PCH	11124-35C00PCH	HOUSING, camshaft No.4	1		

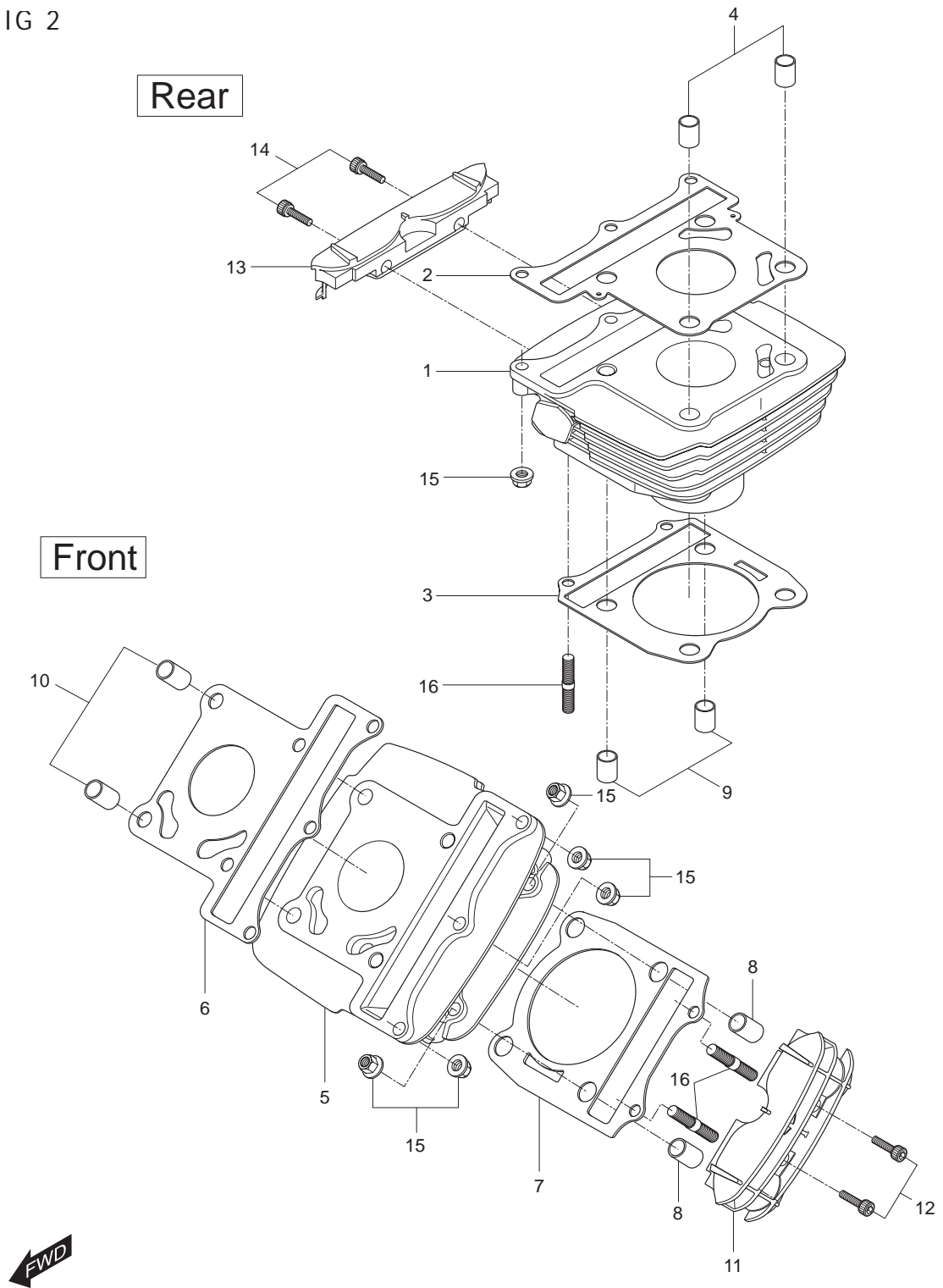
FIG 1-2



## FIG 1-2. CYLINDER HEAD/ (REAR)

REF. PARTS NO.							PARTS NAME	Q`TY	REMARKS	REC. Q'TY (PCS)
NO.	DOMESTIC	MAT01	MEN01	MEU01	MG01	NUS01				
1	11110SM8100HPA	11110SM8100HPA	11110SM8100HPA	11110SM8100HPA	11110SM8100HPA	11110SM8100HPA	HEAD ASS'Y, cylinder	1		
2	11171HG510203S	11171HG510203S	11171HG510203S	11171HG510203S	11171HG510203S	11171HG510203S	COVER, cylinder head	1		
3	11173HG5100	11173HG5100	11173HG5100	11173HG5100	11173HG5100	11173HG5100	GASKET, cylinder head cover	1		
4	13120HM8100	13120HM8100	13120HM8100	13120HM8100	13120HM8100	13120HM8100	PIPE COMP, intake rear	1	~KM4MJ51B441100562	5
4~1	13120HM8101	13120HM8101	13120HM8101	13120HM8101	13120HM8101	13120HM8101	PIPE COMP, intake rear	1	KM4MJ51B441100563~	
5	09402-44207	09402-44207	09402-44207	09402-44207	09402-44207	09402-44207	CLAMP, carburetor	1		
6	09390-35001	09390-35001	09390-35001	09390-35001	09390-35001	09390-35001	C-RING, camshaft	4		24
7	09206-08001	09206-08001	09206-08001	09206-08001	09206-08001	09206-08001	PIN, camshaft housing knock	8		
8	02122-06308	02122-06308	02122-06308	02122-06308	02122-06308	02122-06308	BOLT, oil galley(M6X12)	4		
9	09168H06019	09168H06019	09168H06019	09168H06019	09168H06019	09168H06019	GASKET, oil galley bolt	2		40
10	09103-06013	09103-06013	09103-06013	09103-06013	09103-06013	09103-06013	BOLT, camshaft housing(M6X	8		
11	09482-00456	09482-00456	09482-00456	09482-00456	09482-00456	09482-00456	PLUG, spark CR8E	1		
12	09109H07018	09109H07018	09109H07018	09109H07018	09109H07018	09109H07018	BOLT, cylinder head cover(M7	4		24
13	09161H11008	09161H11008	09161H11008	09161H11008	09161H11008	09161H11008	WASHER, cylinder head cover	4		
14	09103H08306	09103H08306	09103H08306	09103H08306	09103H08306	09103H08306	BOLT, cylinder head(L=130)	4		
15	09168-08021	09168-08021	09168-08021	09168-08021	09168-08021	09168-08021	GASKET, cylinder head bolt	4		
16	09119H06002	09119H06002	09119H06002	09119H06002	09119H06002	09119H06002	BOLT, intake pipe(M6X16)	2		
17	12782-35C00	12782-35C00	12782-35C00	12782-35C00	12782-35C00	12782-35C00	GUIDE, camchain NO.2	1		8
18	09280H34000	09280H34000	09280H34000	09280H34000	09280H34000	09280H34000	O-RING, intake pipe	1		
19	11178-17E00	11178-17E00	11178-17E00	11178-17E00	11178-17E00	11178-17E00	GASKET, cylinder head cover	1		
20	01421-06258	01421-06258	01421-06258	01421-06258	01421-06258	01421-06258	BOLT, cylinder head stud(M6x	3		
21-1	11121-35C00PCH	11121-35C00PCH	11121-35C00PCH	11121-35C00PCH	11121-35C00PCH	11121-35C00PCH	HOUSING, camshaft No.1	1		
21-2	11122-35C00PCH	11122-35C00PCH	11122-35C00PCH	11122-35C00PCH	11122-35C00PCH	11122-35C00PCH	HOUSING, camshaft No.2	1		
21-3	11123-35C00PCH	11123-35C00PCH	11123-35C00PCH	11123-35C00PCH	11123-35C00PCH	11123-35C00PCH	HOUSING, camshaft No.3	1		
21-4	11124-35C00PCH	11124-35C00PCH	11124-35C00PCH	11124-35C00PCH	11124-35C00PCH	11124-35C00PCH	HOUSING, camshaft No.4	1		

FIG 2

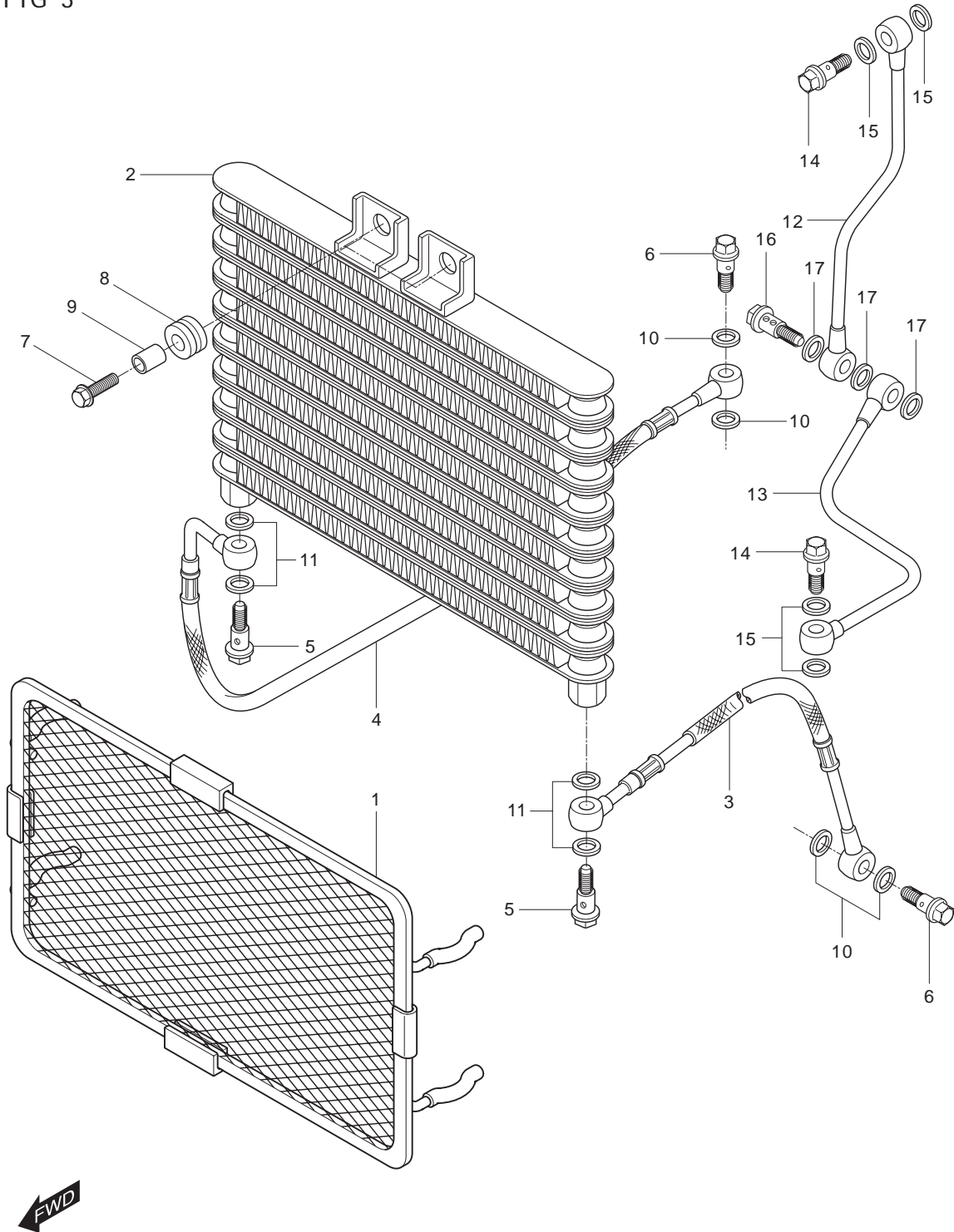


## FIG 2. CYLINDER/FRONT, REAR

REF. PARTS NO.							PARTS NAME	Q'TY	REMARKS	REC. Q'TY (PCS)
NO.	DOMESTIC	MAT01	MEN01	MEU01	MG01	NUS01				
1	11220HM8110PCY	11220HM8110PCY	11220HM8100PCY	11220HM8100PCY	11220HM8100PCY	11220HM8110PCY	CYLINDER COMP, rear	1		3
1~1			11220HM8190PCY	11220HM8190PCY	11220HM8190PCY		CYLINDER COMP, rear	1	KM4MJ51B441101227~	3
2	11141HJ8210	11141HJ8210	11141HJ8210	11141HJ8210	11141HJ8210	11141HJ8210	GASKET, cylinder head	1		20
3	11241HG5103	11241HG5103	11241HG5103	11241HG5103	11241HG5103	11241HG5103	GASKET, cylinder(NA)	1		20
4	04213-11169	04213-11169	04213-11169	04213-11169	04213-11169	04213-11169	PIN, cylinder head knock	2		12
5	11210HM8110PCY	11210HM8110PCY	11210HM8110PCY	11210HM8110PCY	11210HM8110PCY	11210HM8110PCY	CYLINDER COMP, front	1		3
6	11141HJ8210	11141HJ8210	11141HJ8210	11141HJ8210	11141HJ8210	11141HJ8210	GASKET, cylinder head	1		
7	11241HG5103	11241HG5103	11241HG5103	11241HG5103	11241HG5103	11241HG5103	GASKET, cylinder	1		
8	04213-11149	04213-11149	04213-11149	04213-11149	04213-11149	04213-11149	KNOCK PIN, cylinder	2		4
9	04213-11149	04213-11149	04213-11149	04213-11149	04213-11149	04213-11149	KNOCK PIN, cylinder	2		4
10	04213-11169	04213-11169	04213-11169	04213-11169	04213-11169	04213-11169	PIN, cylinder head knock	2		4
11	11251HG510003S	11251HG510003S	11251HG510003S	11251HG510003S	11251HG510003S	11251HG510003S	FIN, cylinder(FRONT)	1		6
12	07110-05168	07110-05168	07110-05168	07110-05168	07110-05168	07110-05168	BOLT, cylinder fin(FRONT)(M	2		12
13	11251HG510003S	11251HG510003S	11251HG510003S	11251HG510003S	11251HG510003S	11251HG510003S	FIN, cylinder(REAR)	1		
14	07110-05168	07110-05168	07110-05168	07110-05168	07110-05168	07110-05168	BOLT, cylinder fin(REAR)(M	2		
15	08316-16068	08316-16068	08316-16068	08316-16068	08316-16068	08316-16068	NUT, cylinder head(M6)	10		30
16	01421-06258	01421-06258	01421-06258	01421-06258	01421-06258	01421-06258	BOLT, cylinder stud(M6×25)	4		



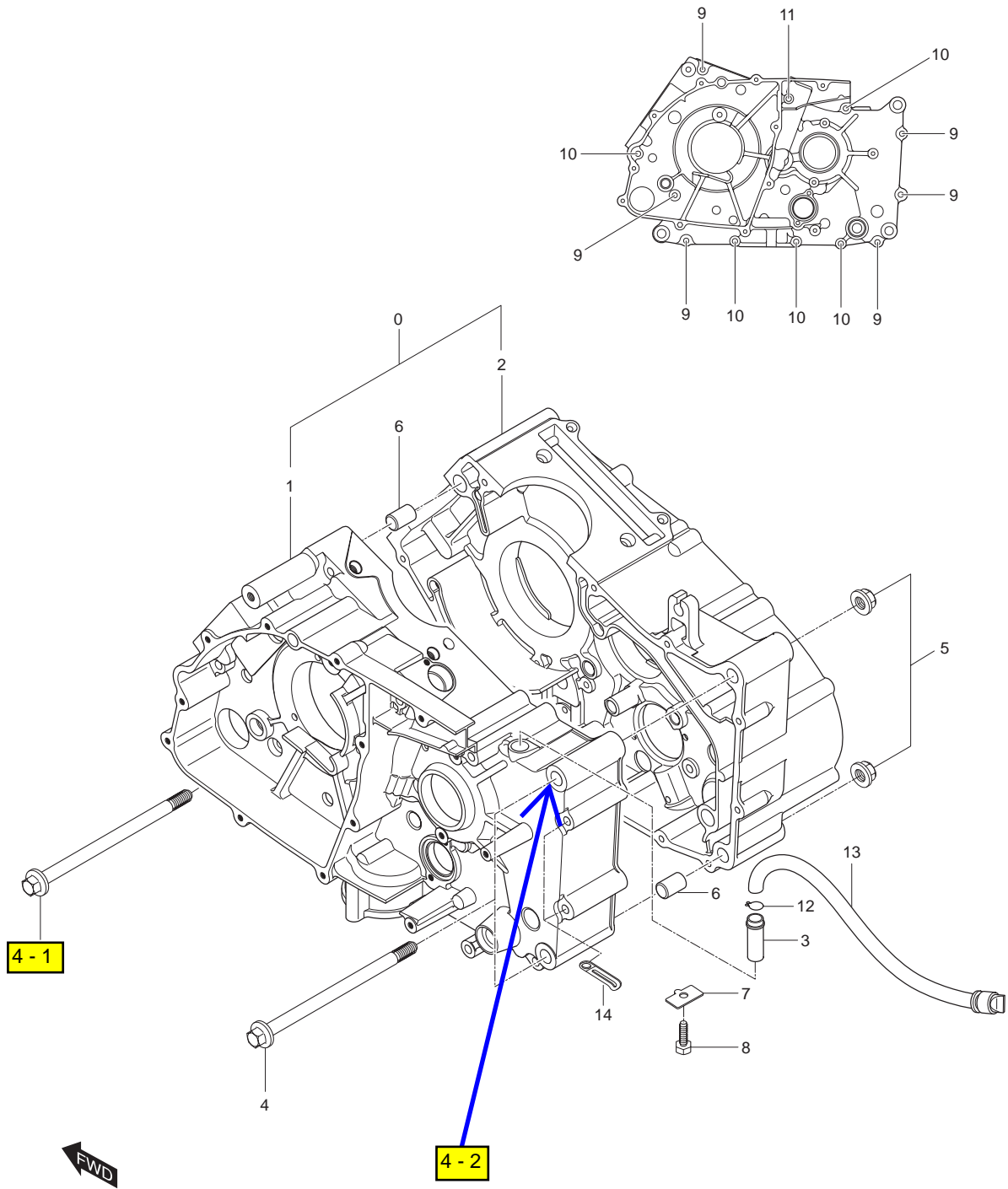
FIG 3



# FIG 3. OIL COOLER

REF. PARTS NO.							PARTS NAME	Q'TY	REMARKS	REC. Q'TY (PCS)
NO.	DOMESTIC	MAT01	MEN01	MEU01	MG01	NUS01				
1	16810HJ8201	16810HJ8201	16810HJ8201	16810HJ8201	16810HJ8201	16810HJ8201	GRILLE COMP, oil cooler NO	1		5
2	16600HJ8200121	16600HJ8200121	16600HJ8200121	16600HJ8200121	16600HJ8200121	16600HJ8200121	COOLER ASS'Y, oil	1		5
3	16460HG5120	16460HG5120	16460HG5120	16460HG5120	16460HG5120	16460HG5120	HOSE COMP, oil cooler NO.1	1		5
4	16470HJ8200	16470HJ8200	16470HJ8200	16470HJ8200	16470HJ8200	16470HJ8200	HOSE COMP, oil cooler NO.2	1		5
5	09360H12007	09360H12007	09360H12007	09360H12007	09360H12007	09360H12007	BOLT, oil cooler hose union N	2		10
6	09360H10034	09360H10034	09360H10034	09360H10034	09360H10034	09360H10034	BOLT, oil cooler hose union N	2		20
7	09116-06143	09116-06143	09116-06143	09116-06143	09116-06143	09116-06143	BOLT, oil cooler(M6×14)	2		10
8	09320-10015	09320-10015	09320-10015	09320-10015	09320-10015	09320-10015	CUSHION, oil cooler	2		
9	09180-06030	09180-06030	09180-06030	09180-06030	09180-06030	09180-06030	SPACER, oil cooler	2		
10	09161-10009	09161-10009	09161-10009	09161-10009	09161-10009	09161-10009	GASKET, oil cooler NO.1	4		55
11	09168-14011	09168-14011	09168-14011	09168-14011	09168-14011	09168-14011	GASKET, oil cooler NO.2	4		16
12	11280HG5101	11280HG5101	11280HG5101	11280HG5101	11280HG5101	11280HG5101	PIPE COMP, oil front	1		3
13	11290HG5101	11290HG5101	11290HG5101	11290HG5101	11290HG5101	11290HG5101	PIPE COMP, oil rear	1		3
14	09360H10034	09360H10034	09360H10034	09360H10034	09360H10034	09360H10034	UNION BOLT, oil pipe upper(	2		
15	09161-10009	09161-10009	09161-10009	09161-10009	09161-10009	09161-10009	GASKET, oil pipe upper	4		
16	15331HG5101	15331HG5101	15331HG5101	15331HG5101	15331HG5101	15331HG5101	UNION BOLT, oil pipe lower	1		5
17	09161-10009	09161-10009	09161-10009	09161-10009	09161-10009	09161-10009	GASKET, oil pipe lower	3		

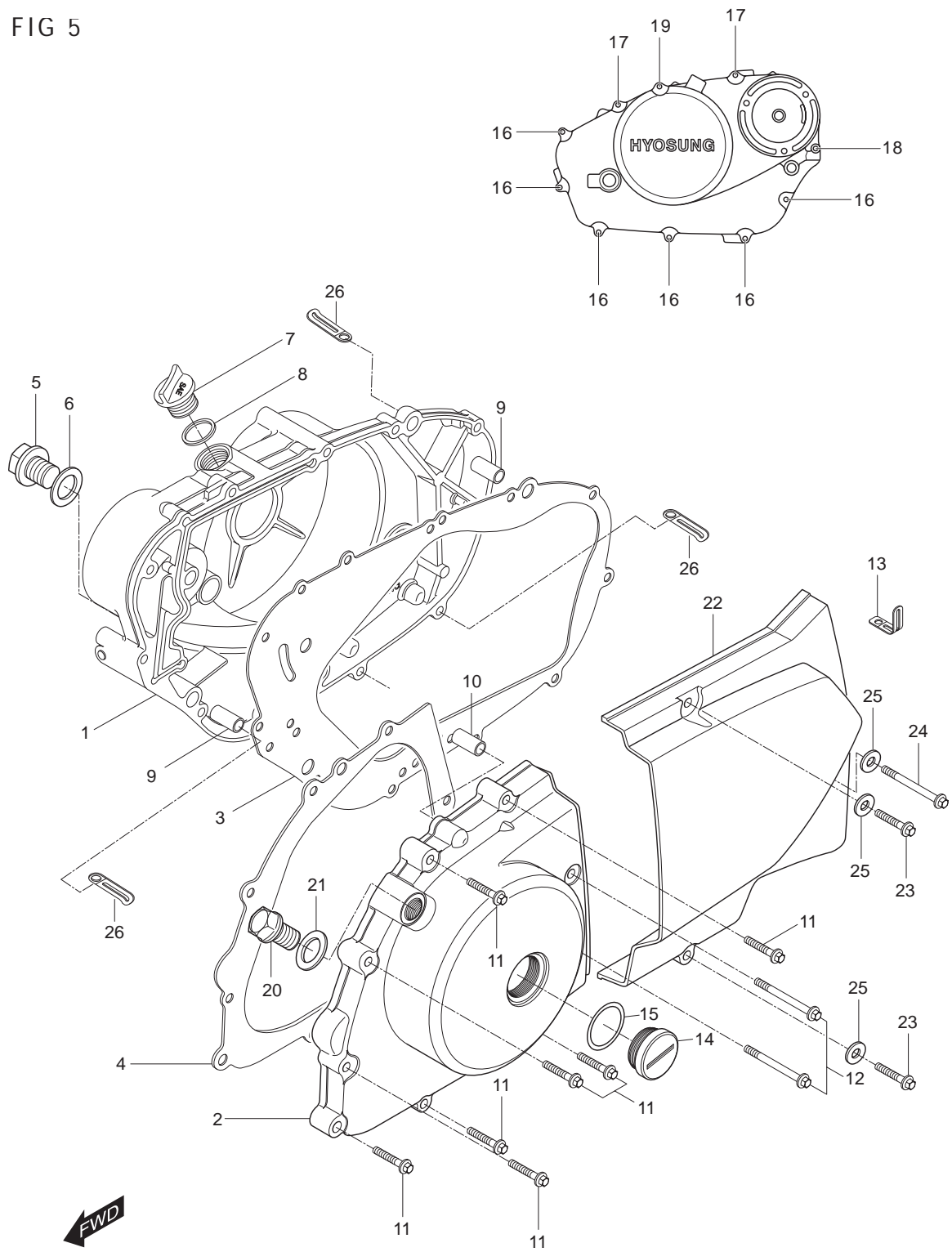
FIG 4



# FIG 4. CRANK CASE

REF. PARTS NO.							PARTS NAME	Q'TY	REMARKS	REC. Q'TY (PCS)
NO.	DOMESTIC	MAT01	MEN01	MEU01	MG01	NUS01				
0	11300HM8100HPA	11300HM8100HPA	11300HM8100HPA	11300HM8100HPA	11300HM8100HPA	11300HM8100HPA	CRANK CASE ASS'Y	1		
1	11320HM8100PCC	11320HM8100PCC	11320HM8100PCC	11320HM8100PCC	11320HM8100PCC	11320HM8100PCC	CRANK CASE COMP, L	1		1
2	11310HM8100PCC	11310HM8100PCC	11310HM8100PCC	11310HM8100PCC	11310HM8100PCC	11310HM8100PCC	CRANK CASE COMP, R	1		1
3	09364-12001	09364-12001	09364-12001	09364-12001	09364-12001	09364-12001	UNION, breather hose	1		
4	09103H10022	09103H10022	09103H10022	09103H10022	09103H10022	09103H10022	BOLT, frame & engine(L=110)	3		2
5	08319-31106	08319-31106	08319-31106	08319-31106	08319-31106	08319-31106	NUT, frame & engine(M10)	3		12
6	04213-13189	04213-13189	04213-13189	04213-13189	04213-13189	04213-13189	PIN, crank case knock	2		
7	11319-05200	11319-05200	11319-05200	11319-05200	11319-05200	11319-05200	PLATE, oil gallery plug	1		
8	01107-06106	01107-06106	01107-06106	01107-06106	01107-06106	01107-06106	BOLT, oil gallery plug plate(M	1		
9	01547-06558	01547-06558	01547-06558	01547-06558	01547-06558	01547-06558	BOLT, crank case(M6×55)	6		
10	01547-06808	01547-06808	01547-06808	01547-06808	01547-06808	01547-06808	BOLT, crank case(M6×80)	5		
11	02112-06908	02112-06908	02112-06908	02112-06908	02112-06908	02112-06908	SCREW, crank case(M6×90)	1		
12	09401-14301	09401-14301	09401-14301	09401-14301	09401-14301	09401-14301	CLIP, breather drain cap	1		
13	13870H29B00	13870H29B00	13870H29B00	13870H29B00	13870H29B00	13870H29B00	CAP COMP,breather drain	1		
14	09404-06404	09404-06404	09404-06404	09404-06404	09404-06404	09404-06404	CLAMP, crank case	2		

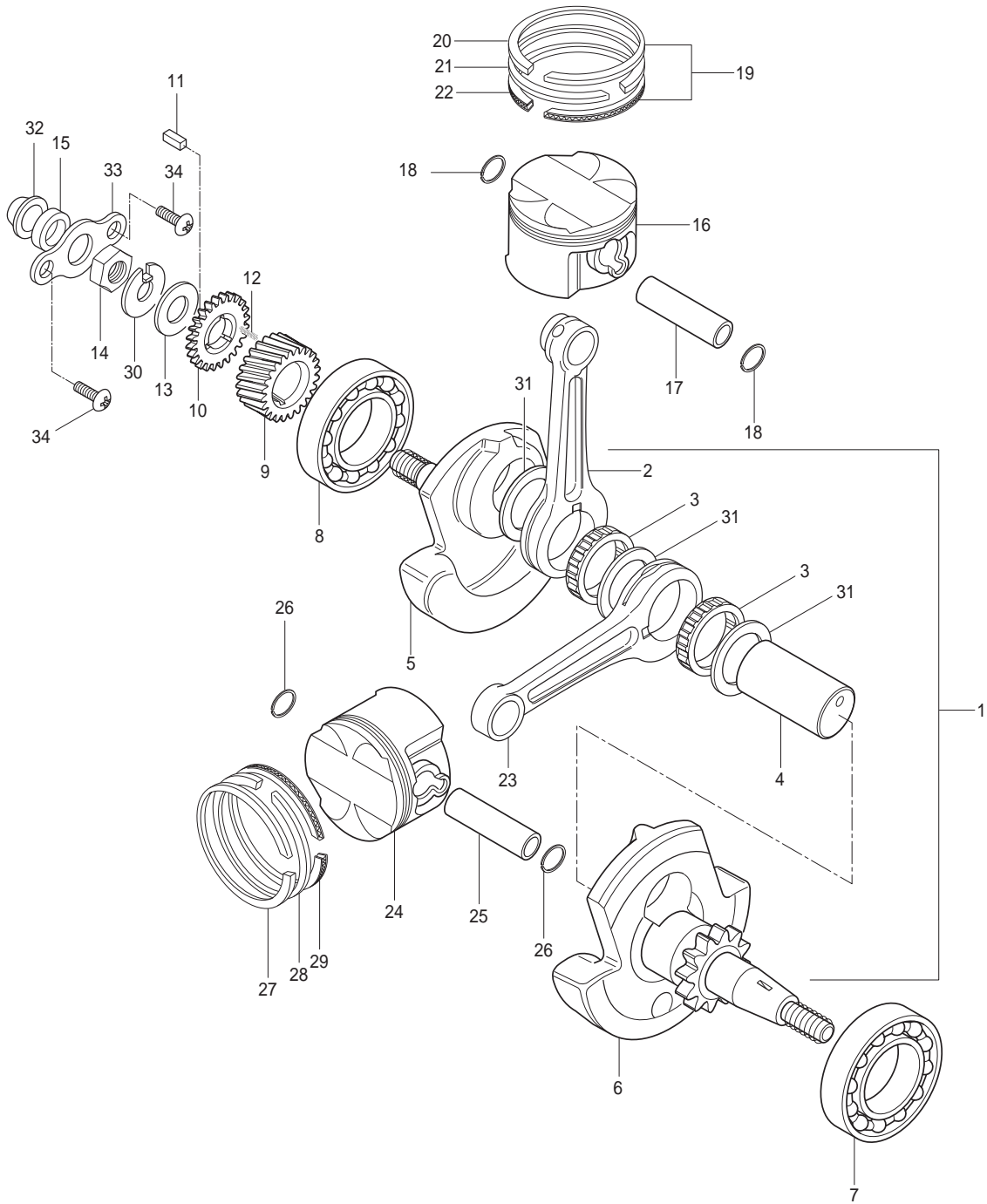
FIG 5



# FIG 5. CRANK CASE COVER

REF. PARTS NO.							PARTS NAME	Q`TY	REMARKS	REC. Q'TY (PCS)
NO.	DOMESTIC	MAT01	MEN01	MEU01	MG01	NUS01				
1	11341SM8100HPA	11341SM8100HPA	11341SM8100HPA	11341SM8100HPA	11341SM8100HPA	11341SM8100HPA	COVER COMP, clutch	1		2
2	11351HJ820203S	11351HJ820203S	11351HJ820203S	11351HJ820203S	11351HJ820203S	11351HJ820203S	COVER , magneto	1		2
3	11482HG5102	11482HG5102	11482HG5102	11482HG5102	11482HG5102	11482HG5102	GASKET, clutch cover(NA)	1		10
4	11483HG5102	11483HG5102	11483HG5102	11483HG5102	11483HG5102	11483HG5102	GASKET, magneto cover(NA)	1		10
5	09247-14026	09247-14026	09247-14026	09247-14026	09247-14026	09247-14026	PLUG, oil check	1		10
6	09168H14003	09168H14003	09168H14003	09168H14003	09168H14003	09168H14003	GASKET, oil check plug	1		30
7	09259-2000903S	09259-2000903S	09259-2000903S	09259-2000903S	09259-2000903S	09259-2000903S	PLUG, eng oil filler	1		2
8	09280-17003	09280-17003	09280-17003	09280-17003	09280-17003	09280-17003	O-RING, eng oil filler plug(16.	1		5
9	04213-13189	04213-13189	04213-13189	04213-13189	04213-13189	04213-13189	PIN, clutch cover knock	2		
10	04213-09129	04213-09129	04213-09129	04213-09129	04213-09129	04213-09129	PIN, magneto cover knock	1		
11	01547-06308	01547-06308	01547-06308	01547-06308	01547-06308	01547-06308	BOLT, magneto cover(M6×30)	7		6
12	01547-06708	01547-06708	01547-06708	01547-06708	01547-06708	01547-06708	BOLT, magneto cover(M6×55)	2		10
13	09403H09304	09403H09304	09403H09304	09403H09304	09403H09304	09403H09304	CLAMP, clutch cable	1		
14	09259-2601503S	09259-2601503S	09259-2601503S	09259-2601503S	09259-2601503S	09259-2601503S	PLUG, crank shaft hole	1		2
15	09280-22008	09280-22008	09280-22008	09280-22008	09280-22008	09280-22008	O-RING, crank shaft hole plug	1		5
16	01547-06258	01547-06258	01547-06258	01547-06258	01547-06258	01547-06258	BOLT, clutch cover(M6×25)	6		12
17	01547-06358	01547-06358	01547-06358	01547-06358	01547-06358	01547-06358	BOLT, clutch cover(M6×35)	2		6
18	01547-06608	01547-06608	01547-06608	01547-06608	01547-06608	01547-06608	BOLT, clutch cover(M6×60)	1		5
19	01547-06758	01547-06758	01547-06758	01547-06758	01547-06758	01547-06758	BOLT, clutch cover(M6×75)	1		5
20	09247H12102	09247H12102	09247H12102	09247H12102	09247H12102	09247H12102	PLUG, T.D.C	1		5
21	09168H12003	09168H12003	09168H12003	09168H12003	09168H12003	09168H12003	GASKET, T.D.C plug	1		5
22	11360HM810103S	11360HM810103S	11360HM810103S	11360HM810103S	11360HM810103S	11360HM810103S	COVER COMP, engine sprock	1		5
23	01547-06308	01547-06308	01547-06308	01547-06308	01547-06308	01547-06308	BOLT, engine sprocket cover(†	2		
24	01547-06408	01547-06408	01547-06408	01547-06408	01547-06408	01547-06408	BOLT, engine sprocket cover(†	1		
25	08321-31068	08321-31068	08321-31068	08321-31068	08321-31068	08321-31068	WASHER, engine sprocket cov	3		
26	09404-06401	09404-06401	09404-06401	09404-06401	09404-06401	09404-06401	CLAMP, crank case	3		

FIG 6

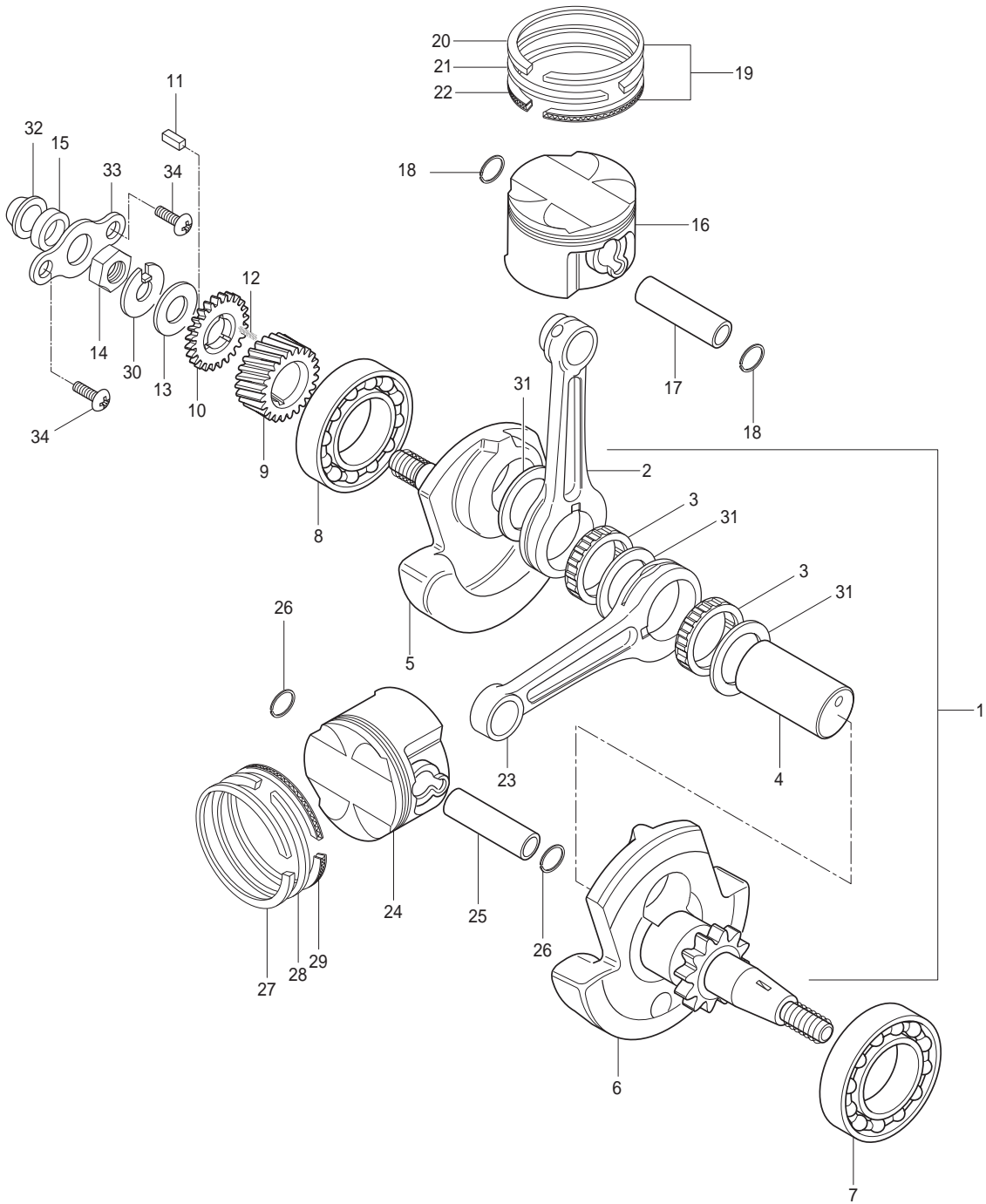


# FIG 6. CRANK SHAFT

REF. PARTS NO.							PARTS NAME	Q'TY	REMARKS	REC. Q'TY (PCS)
NO.	DOMESTIC	MAT01	MEN01	MEU01	MG01	NUS01				
1	12200HJ8200HPA	12200HJ8200HPA	12200HJ8200HPA	12200HJ8200HPA	12200HJ8200HPA	12200HJ8200HPA	CRANK SHAFT ASS'Y	1		
2	12161HJ8200	12161HJ8200	12161HJ8200	12161HJ8200	12161HJ8200	12161HJ8200	ROD, connecting	1		10
3	09263H30002	09263H30002	09263H30002	09263H30002	09263H30002	09263H30002	BEARING, crank pin(30×38×1	2		10
4	12211HJ8202888	12211HJ8202888	12211HJ8202888	12211HJ8202888	12211HJ8202888	12211HJ8202888	PIN COMP, crank	1		5
5	12221HJ8203CSA	12221HJ8203CSA	12221HJ8203CSA	12221HJ8203CSA	12221HJ8203CSA	12221HJ8203CSA	CRANK SHAFT, R	1		
6	12261HJ8203CSA	12261HJ8203CSA	12261HJ8203CSA	12261HJ8203CSA	12261HJ8203CSA	12261HJ8203CSA	CRANK SHAFT, L	1		
7	09262H350A60A0	09262H350A60A0	09262H350A60A0	09262H350A60A0	09262H350A60A0	09262H350A60A0	BEARING, crank shaft, R(35×	1		5
8	09262H350A60A0	09262H350A60A0	09262H350A60A0	09262H350A60A0	09262H350A60A0	09262H350A60A0	BEARING, crank shaft, L(35×	1		5
9	21111HJ8201	21111HJ8201	21111HJ8201	21111HJ8201	21111HJ8201	21111HJ8201	GEAR, primary drive	1		
10	21112HJ8200	21112HJ8200	21112HJ8200	21112HJ8200	21112HJ8200	21112HJ8200	GEAR, primary drive NO.2	1		
11	09421H05001	09421H05001	09421H05001	09421H05001	09421H05001	09421H05001	KEY, primary drive gear	1		
12	21114-35C00	21114-35C00	21114-35C00	21114-35C00	21114-35C00	21114-35C00	SPRING, primary drive gear	3		
13	09166H16021	09166H16021	09166H16021	09166H16021	09166H16021	09166H16021	WASHER, primary drive gear 1	1		
14	09140-16019	09140-16019	09140-16019	09140-16019	09140-16019	09140-16019	NUT, primary drive gear(M16)	1		
15	09282-12001	09282-12001	09282-12001	09282-12001	09282-12001	09282-12001	SEAL, crank shaft oil rh(21×7)	1		7
16	12111HM8101PPS	12111HM8101PPS	12111HM8101PPS	12111HM8101PPS	12111HM8101PPS	12111HM8101PPS	PISTON, rear	1		
17	12151-30B00	12151-30B00	12151-30B00	12151-30B00	12151-30B00	12151-30B00	PIN, piston	1		14
18	09381-15001	09381-15001	09381-15001	09381-15001	09381-15001	09381-15001	CIRCLIP, piston pin	2		28
19	12140-16E00	12140-16E00	12140-16E00	12140-16E00	12140-16E00	12140-16E00	RING SET, piston	2	NOT SALE	
20	12141-16E00	12141-16E00	12141-16E00	12141-16E00	12141-16E00	12141-16E00	RING, piston 1st	1		20
21	12142-16E00	12142-16E00	12142-16E00	12142-16E00	12142-16E00	12142-16E00	RING, piston 2nd	1		20
22	12144-16E00	12144-16E00	12144-16E00	12144-16E00	12144-16E00	12144-16E00	RING, piston oil	1		20
23	12161HJ8200	12161HJ8200	12161HJ8200	12161HJ8200	12161HJ8200	12161HJ8200	ROD, connecting	1		
24	12111HM8101PPS	12111HM8101PPS	12111HM8101PPS	12111HM8101PPS	12111HM8101PPS	12111HM8101PPS	PISTON, front	1		14
25	12151-30B00	12151-30B00	12151-30B00	12151-30B00	12151-30B00	12151-30B00	PIN, piston	1		
26	09381-15001	09381-15001	09381-15001	09381-15001	09381-15001	09381-15001	CIRCLIP, piston pin	2		
27	12141-16E00	12141-16E00	12141-16E00	12141-16E00	12141-16E00	12141-16E00	RING, piston 1st	1		



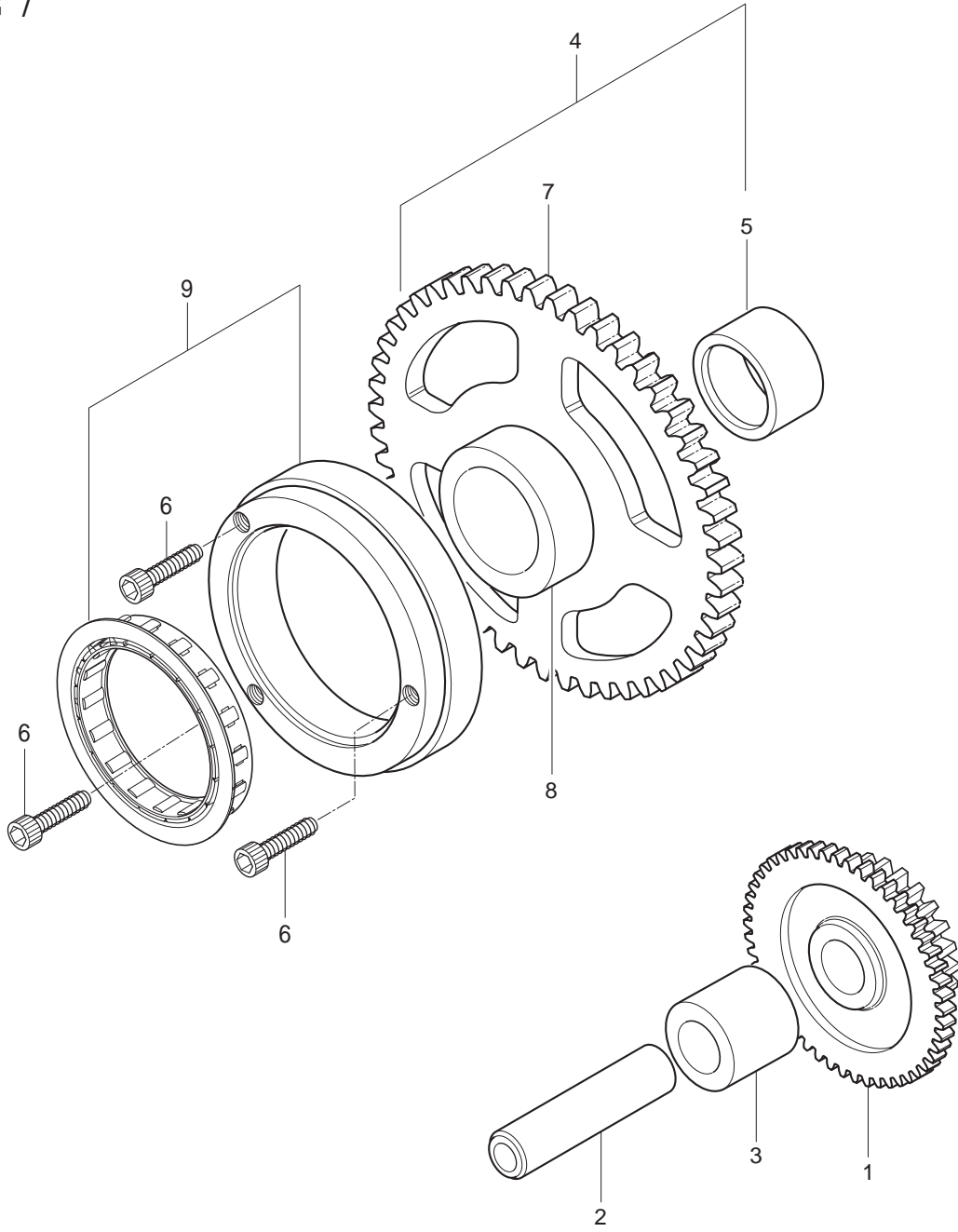
FIG 6



# FIG 6. CRANK SHAFT

REF. PARTS NO.							PARTS NAME	Q`TY	REMARKS	REC. Q'TY (PCS)
NO.	DOMESTIC	MAT01	MEN01	MEU01	MG01	NUS01				
28	12142-16E00	12142-16E00	12142-16E00	12142-16E00	12142-16E00	12142-16E00	RING, piston 2nd	1		
29	12144-16E00	12144-16E00	12144-16E00	12144-16E00	12144-16E00	12144-16E00	RING, piston oil	1		
30	09166H16031	09166H16031	09166H16031	09166H16031	09166H16031	09166H16031	WASHER, primary drive gear	1		
31	09160H30001	09160H30001	09160H30001	09160H30001	09160H30001	09160H30001	WASHER	3		
32	11342HG5100	11342HG5100	11342HG5100	11342HG5100	11342HG5100	11342HG5100	JET	1		
33	11343HG5100	11343HG5100	11343HG5100	11343HG5100	11343HG5100	11343HG5100	RETAINER	1		
34	02112-06108	02112-06108	02112-06108	02112-06108	02112-06108	02112-06108	SCREW(M6×10)	2		

FIG 7



# FIG 7. STARTER CLUTCH

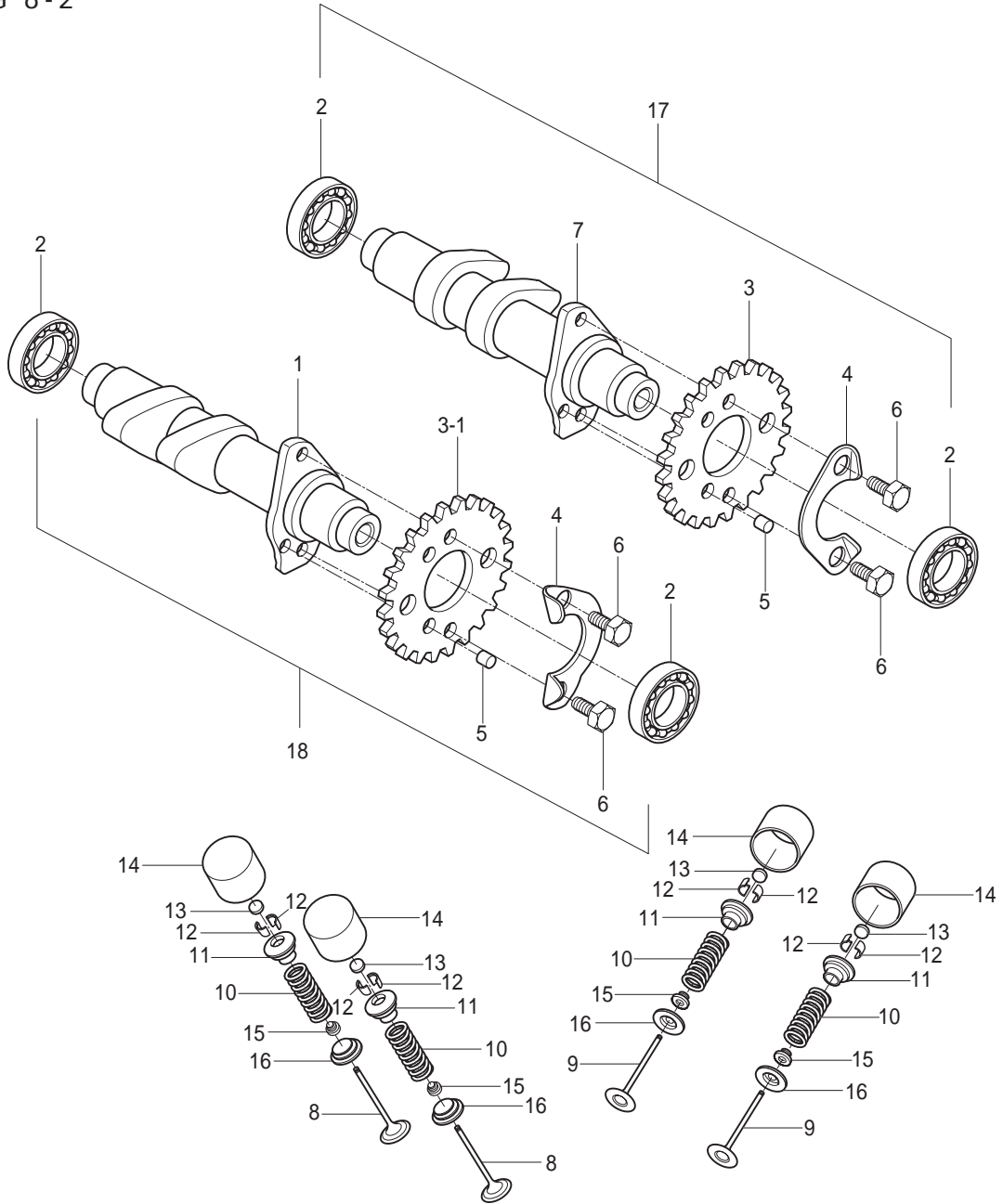
REF. PARTS NO.							PARTS NAME	Q'TY	REMARKS	REC. Q'TY (PCS)
NO.	DOMESTIC	MAT01	MEN01	MEU01	MG01	NUS01				
1	12611HJ8200	12611HJ8200	12611HJ8200	12611HJ8200	12611HJ8200	12611HJ8200	GEAR, starter idle	1		
2	12612HG5100	12612HG5100	12612HG5100	12612HG5100	12612HG5100	12612HG5100	SHAFT, starter idle gear	1		
3	09180-13006	09180-13006	09180-13006	09180-13006	09180-13006	09180-13006	SPACE, starter idle gear	1		
4	12620HJ8204	12620HJ8204	12620HJ8204	12620HJ8204	12620HJ8204	12620HJ8204	GEAR COMP, starter clutch	1		5
5	09304H25002	09304H25002	09304H25002	09304H25002	09304H25002	09304H25002	BUSH, starter clutch gear	1	NOT SALE	
6	07110-08168	07110-08168	07110-08168	07110-08168	07110-08168	07110-08168	BOLT, starter clutch(M6×16)	3		
7	12622HJ8201	12622HJ8201	12622HJ8201	12622HJ8201	12622HJ8201	12622HJ8201	GEAR, starter clutch	1	NOT SALE	
8	12621HJ8200	12621HJ8200	12621HJ8200	12621HJ8200	12621HJ8200	12621HJ8200	RACE, starter clutch gear inner	1	NOT SALE	
9	12614HJ8200	12614HJ8200	12614HJ8200	12614HJ8200	12614HJ8200	12614HJ8200	CLUTCH, starter one way	1		



# FIG 8-1. CAMSHAFT REAR

REF. PARTS NO.							PARTS NAME	Q`TY	REMARKS	REC. Q'TY (PCS)
NO.	DOMESTIC	MAT01	MEN01	MEU01	MG01	NUS01				
1	12711HM8100888	12711HM8100888	12711HM8100888	12711HM8100888	12711HM8100888	12711HM8100888	CAMSHAFT, intake rear	1		5
2	09262-17019	09262-17019	09262-17019	09262-17019	09262-17019	09262-17019	BEARING, camshaft rear(22.4	4		40
3	12742HJ8200	12742HJ8200	12742HJ8200	12742HJ8200	12742HJ8200	12742HJ8200	SPROCKET, camshaft rear	2		
4	12747-44B00	12747-44B00	12747-44B00	12747-44B00	12747-44B00	12747-44B00	WASHER, sprocket rear	2		
5	09261-05005	09261-05005	09261-05005	09261-05005	09261-05005	09261-05005	PIN, sprocket rear	2		
6	09111-06032	09111-06032	09111-06032	09111-06032	09111-06032	09111-06032	BOLT, sprocket rear(M6X10)	4		
7	12721HJ8200888	12721HJ8200888	12721HJ8200888	12721HJ8200888	12721HJ8200888	12721HJ8200888	CAMSHAFT, exhaust rear	1		
8	12911HJ8200	12911HJ8200	12911HJ8200	12911HJ8200	12911HJ8200	12911HJ8200	VALVE, intake rear	2		
9	12912HJ8200	12912HJ8200	12912HJ8200	12912HJ8200	12912HJ8200	12912HJ8200	VALVE, exhaust rear	2		
10	12921HJ8200	12921HJ8200	12921HJ8200	12921HJ8200	12921HJ8200	12921HJ8200	SPRING, valve rear	4		
11	12931HJ8200	12931HJ8200	12931HJ8200	12931HJ8200	12931HJ8200	12931HJ8200	RETAINER, valve spring rear	4		
12	12932HJ8200	12932HJ8200	12932HJ8200	12932HJ8200	12932HJ8200	12932HJ8200	COTTER, valve rear	8		
13	12892-05C00(#170)	12892-05C00(#170)	12892-05C00(#170)	12892-05C00(#170)	12892-05C00(#170)	12892-05C00(#170)	SHIM, tappet rear	4		
14	12881HJ8200	12881HJ8200	12881HJ8200	12881HJ8200	12881HJ8200	12881HJ8200	TAPPET, rear	4		
15	09289H04002	09289H04002	09289H04002	09289H04002	09289H04002	09289H04002	SEAL, valve stem oil rear(4X7	4		
16	12933HJ8200	12933HJ8200	12933HJ8200	12933HJ8200	12933HJ8200	12933HJ8200	SEAT, valve spring rear	4		
17	12720HM8100HPA	12720HM8100HPA	12720HM8100HPA	12720HM8100HPA	12720HM8100HPA	12720HM8100HPA	CAMSHAFT ASS'Y, rear intal	1		
18	12750HJ8201HPA	12750HJ8201HPA	12750HJ8201HPA	12750HJ8201HPA	12750HJ8201HPA	12750HJ8201HPA	CAMSHAFT ASS'Y, rear exh	1		

FIG 8-2

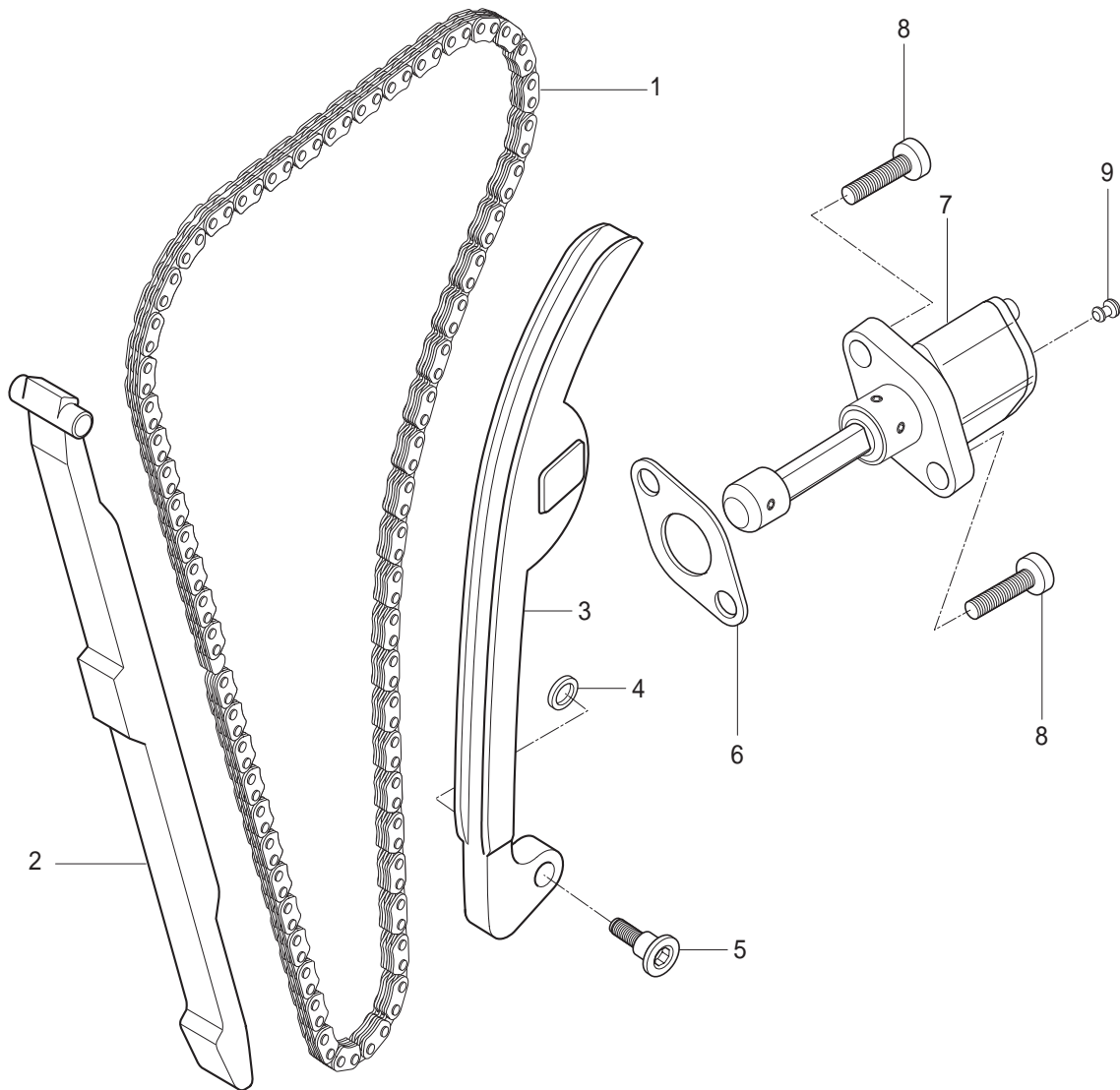


## FIG 8-2. CAMSHAFT FRONT

REF. PARTS NO.							PARTS NAME	Q`TY	REMARKS	REC. Q'TY (PCS)
NO.	DOMESTIC	MAT01	MEN01	MEU01	MG01	NUS01				
1	12711HJ8200888	12711HJ8200888	12711HJ8200888	12711HJ8200888	12711HJ8200888	12711HJ8200888	CAMSHAFT, intake front	1		5
2	09262-17019	09262-17019	09262-17019	09262-17019	09262-17019	09262-17019	BEARING, camshaft front(22.4	4		
3	12741H16E00	12741H16E00	12741H16E00	12741H16E00	12741H16E00	12741H16E00	SPROCKET, camshaft front	2		
4	12747-44B00	12747-44B00	12747-44B00	12747-44B00	12747-44B00	12747-44B00	WASHER, sprocket front	2		
5	09261-05005	09261-05005	09261-05005	09261-05005	09261-05005	09261-05005	PIN, sprocket front	2		
6	09111-06032	09111-06032	09111-06032	09111-06032	09111-06032	09111-06032	BOLT, sprocket front(M6X10)	4		
7	12721HJ8200888	12721HJ8200888	12721HJ8200888	12721HJ8200888	12721HJ8200888	12721HJ8200888	CAMSHAFT, exhaust front	1		5
8	12911HJ8200	12911HJ8200	12911HJ8200	12911HJ8200	12911HJ8200	12911HJ8200	VALVE, intake front	2		
9	12912HJ8200	12912HJ8200	12912HJ8200	12912HJ8200	12912HJ8200	12912HJ8200	VALVE, exhaust front	2		
10	12921HJ8200	12921HJ8200	12921HJ8200	12921HJ8200	12921HJ8200	12921HJ8200	SPRING, valve front	4		
11	12931HJ8200	12931HJ8200	12931HJ8200	12931HJ8200	12931HJ8200	12931HJ8200	RETAINER, valve spring front	4		
12	12932HJ8200	12932HJ8200	12932HJ8200	12932HJ8200	12932HJ8200	12932HJ8200	COTTER, valve front	8		
13	12892-05C00(#170)	12892-05C00(#170)	12892-05C00(#170)	12892-05C00(#170)	12892-05C00(#170)	12892-05C00(#170)	SHIM, tappet front	4		
14	12881HJ8200	12881HJ8200	12881HJ8200	12881HJ8200	12881HJ8200	12881HJ8200	TAPPET, front	4		
15	09289H04002	09289H04002	09289H04002	09289H04002	09289H04002	09289H04002	SEAL, valve stem oil front(4X'	4		
16	12933HJ8200	12933HJ8200	12933HJ8200	12933HJ8200	12933HJ8200	12933HJ8200	SEAT, valve spring front	4		
17	12710HJ8200HPA	12710HJ8200HPA	12710HJ8200HPA	12710HJ8200HPA	12710HJ8200HPA	12710HJ8200HPA	CAMSHAFT ASS'Y, front int	1		
18	12730HJ8200HPA	12730HJ8200HPA	12730HJ8200HPA	12730HJ8200HPA	12730HJ8200HPA	12730HJ8200HPA	CAMSHAFT ASS'Y, front ext	1		



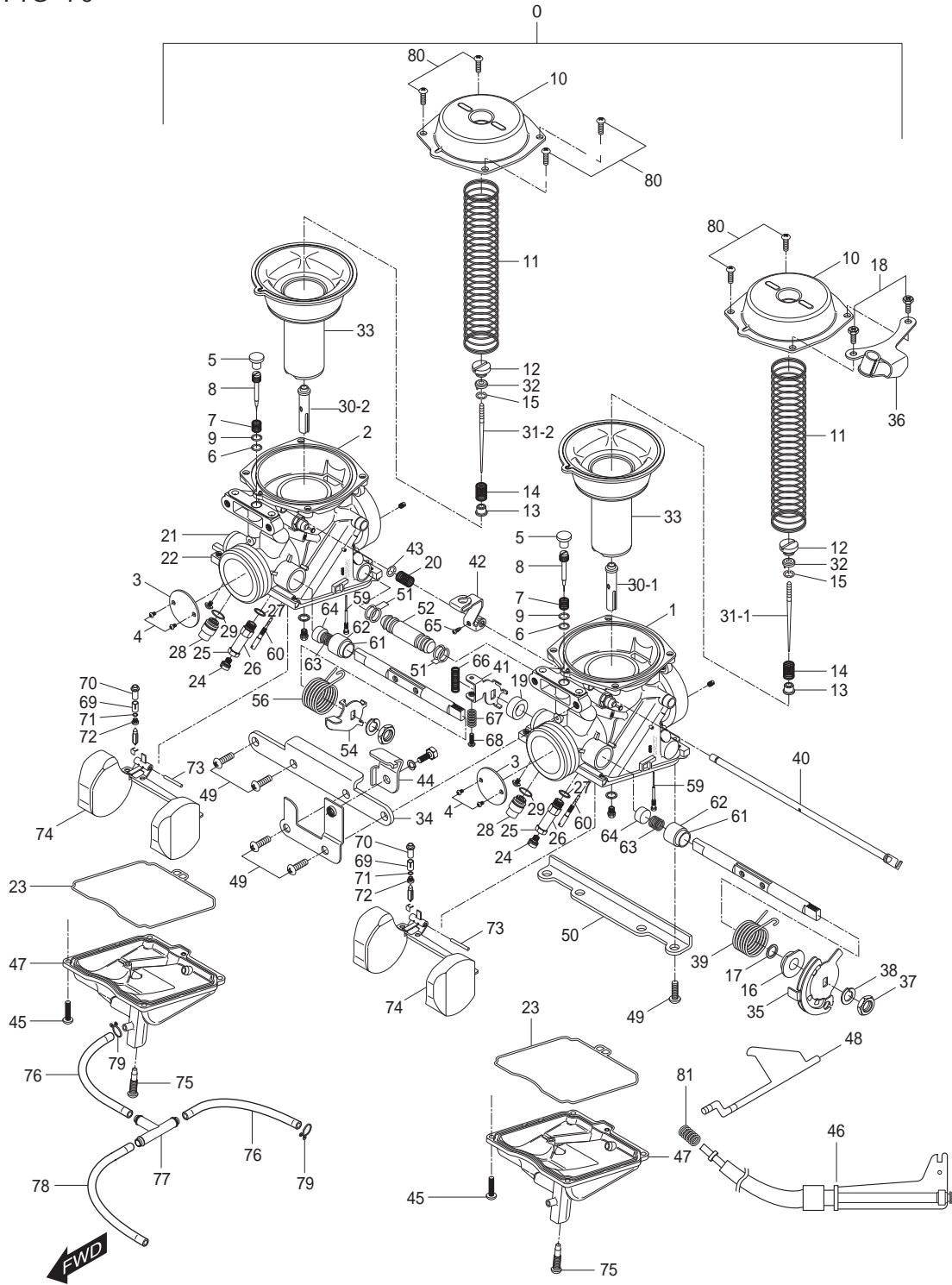
FIG 9



# FIG 9. CAM CHAIN

REF. PARTS NO.							PARTS NAME	Q`TY	REMARKS	REC. Q'TY (PCS)
NO.	DOMESTIC	MAT01	MEN01	MEU01	MG01	NUS01				
1	12760-16E00	12760-16E00	12760-16E00	12760-16E00	12760-16E00	12760-16E00	CHAIN COMP, camshaft drive	2		6
2	12771-16E00	12771-16E00	12771-16E00	12771-16E00	12771-16E00	12771-16E00	GUIDE, camchain NO.1	2		10
3	12811HJ8200	12811HJ8200	12811HJ8200	12811HJ8200	12811HJ8200	12811HJ8200	TENSIONER, camchain	2		10
4	08211-06181	08211-06181	08211-06181	08211-06181	08211-06181	08211-06181	WASHER, camchain tensioner	2		10
5	12812H35C00	12812H35C00	12812H35C00	12812H35C00	12812H35C00	12812H35C00	BOLT, camchain tensioner(M6	2		10
6	12837H31321	12837H31321	12837H31321	12837H31321	12837H31321	12837H31321	GASKET, tensioner adjuster	2		10
7	12830H31320	12830H31320	12830H31320	12830H31320	12830H31320	12830H31320	ADJUSTER ASS'Y, tensioner	2		4
8	07110-06208	07110-06208	07110-06208	07110-06208	07110-06208	07110-06208	BOLT, tensioner adjuster(M6×	4		
9	12839-38200	12839-38200	12839-38200	12839-38200	12839-38200	12839-38200	PLUG, adjuster	2		

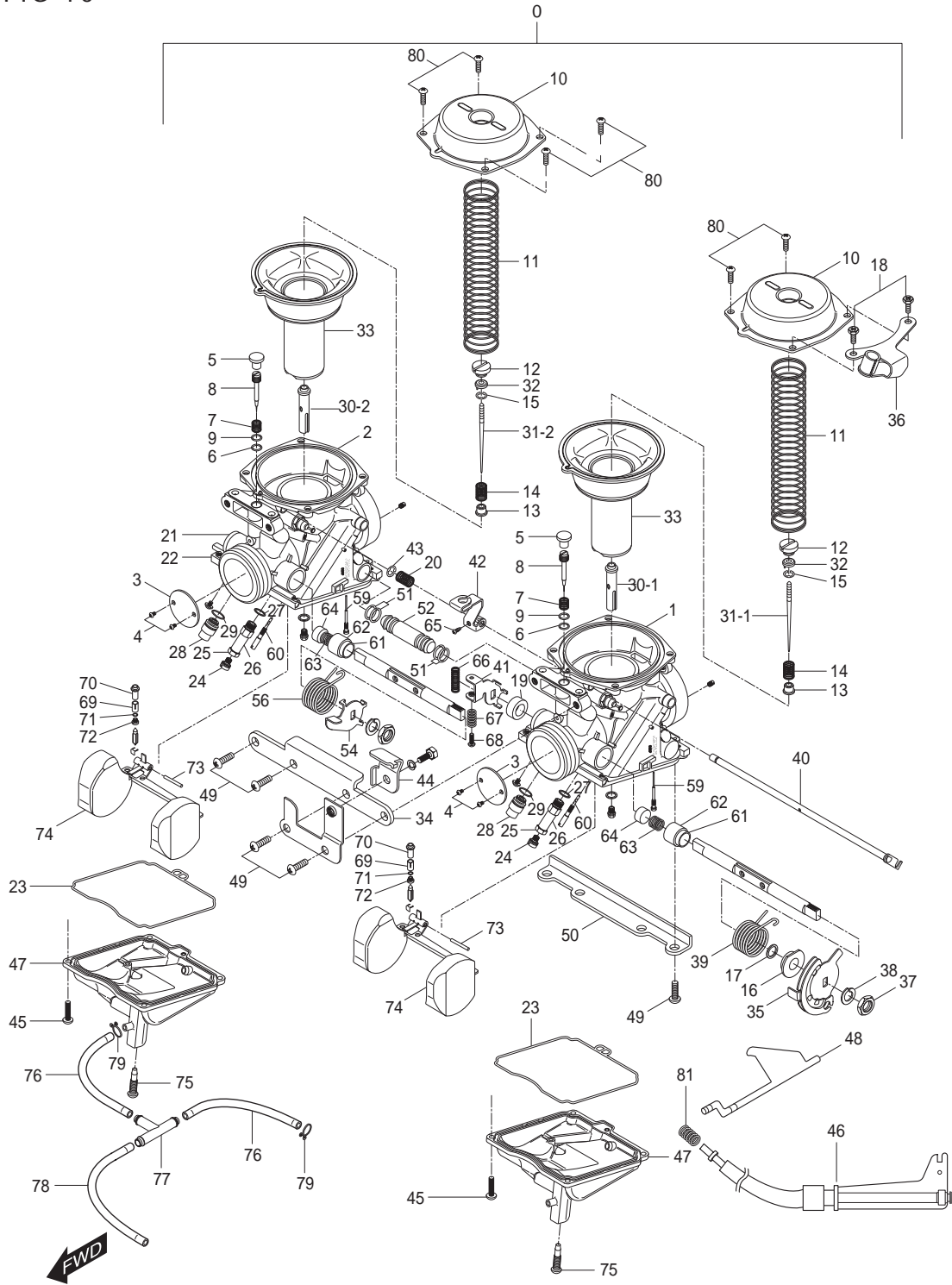
FIG 10



# FIG 10. CARBURETOR ASS'Y

REF. PARTS NO.							PARTS NAME	Q'TY	REMARKS	REC. Q'TY (PCS)
NO.	DOMESTIC	MAT01	MEN01	MEU01	MG01	NUS01				
0	13200HM8101	13200HM8101	13200HM8101	13200HM8101	13200HM8101	13200HM8101	CARBURETOR ASS'Y	1		3
1	13301HG5100	13301HG5100	13301HG5100	13301HG5100	13301HG5100	13301HG5100	MIXING BODY ASS'Y	1		
2	13302HG5100	13302HG5100	13302HG5100	13302HG5100	13302HG5100	13302HG5100	MIXING BODY ASS'Y	1		
3	13303HG5100	13303HG5100	13303HG5100	13303HG5100	13303HG5100	13303HG5100	THROTTLE VALVE	2		
4	13304HG5100	13304HG5100	13304HG5100	13304HG5100	13304HG5100	13304HG5100	SCREW	4		
5	13305HG5100	13305HG5100	13305HG5100	13305HG5100	13305HG5100	13305HG5100	PLUG	2		
6	13306HG5100	13306HG5100	13306HG5100	13306HG5100	13306HG5100	13306HG5100	O-RING	2		
7	13307HG5100	13307HG5100	13307HG5100	13307HG5100	13307HG5100	13307HG5100	SPRING(CO)	2		
8	13308HG5100	13308HG5100	13308HG5100	13308HG5100	13308HG5100	13308HG5100	ADJUSTER	2		
9	13309HG5100	13309HG5100	13309HG5100	13309HG5100	13309HG5100	13309HG5100	WASHER	2		
10	13310HG5100	13310HG5100	13310HG5100	13310HG5100	13310HG5100	13310HG5100	DIAPHRAGM COVER	2		
11	13311HG5100	13311HG5100	13311HG5100	13311HG5100	13311HG5100	13311HG5100	SPRING(CO)	2		
12	13312HG5100	13312HG5100	13312HG5100	13312HG5100	13312HG5100	13312HG5100	SCREW	2		
13	13313HG5100	13313HG5100	13313HG5100	13313HG5100	13313HG5100	13313HG5100	RING	2		
14	13314HG5100	13314HG5100	13314HG5100	13314HG5100	13314HG5100	13314HG5100	SPRING(CO)	2		
15	13315HG5100	13315HG5100	13315HG5100	13315HG5100	13315HG5100	13315HG5100	E-RING	2		
16	13316HG5100	13316HG5100	13316HG5100	13316HG5100	13316HG5100	13316HG5100	RING	1		
17	13317HG5100	13317HG5100	13317HG5100	13317HG5100	13317HG5100	13317HG5100	SEAL	1		
18	13318HG5100	13318HG5100	13318HG5100	13318HG5100	13318HG5100	13318HG5100	BOLT	2		
19	13319HG5100	13319HG5100	13319HG5100	13319HG5100	13319HG5100	13319HG5100	RING	1		
20	13320HG5100	13320HG5100	13320HG5100	13320HG5100	13320HG5100	13320HG5100	SPRING(CO)	1		
21	13321HG5100	13321HG5100	13321HG5100	13321HG5100	13321HG5100	13321HG5100	PACKING	1		
22	13322HG5100	13322HG5100	13322HG5100	13322HG5100	13322HG5100	13322HG5100	SHAFT ASS'Y	1		
23	13323HG5100	13323HG5100	13323HG5100	13323HG5100	13323HG5100	13323HG5100	O-RING	2		
24-1	13324HM8100	13324HM8100	13324HM8100	13324HM8100	13324HM8100	13324HM8100	MAIN JET	1		
24-2	13325HM8100	13325HM8100	13325HM8100	13325HM8100	13325HM8100	13325HM8100	MAIN JET	1		
25	13326HG5100	13326HG5100	13326HG5100	13326HG5100	13326HG5100	13326HG5100	PACKING	2		

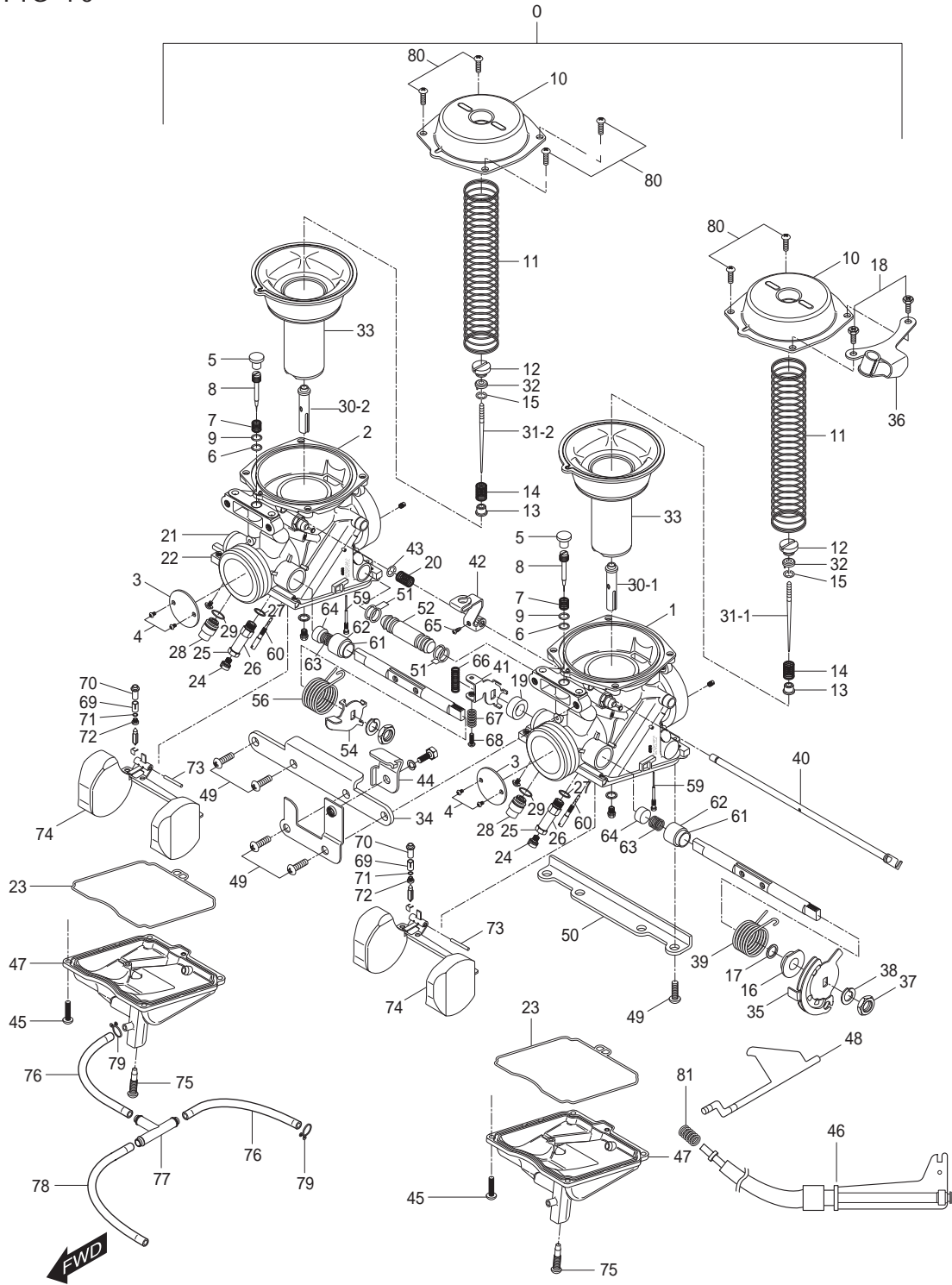
FIG 10



# FIG 10. CARBURETOR ASS'Y

REF. PARTS NO.							PARTS NAME	Q'TY	REMARKS	REC. Q'TY (PCS)
NO.	DOMESTIC	MAT01	MEN01	MEU01	MG01	NUS01				
26	13327HG5100	13327HG5100	13327HG5100	13327HG5100	13327HG5100	13327HG5100	HOLDER	2		
27	13328HG5100	13328HG5100	13328HG5100	13328HG5100	13328HG5100	13328HG5100	WASHER	2		
28	13329HG5100	13329HG5100	13329HG5100	13329HG5100	13329HG5100	13329HG5100	SCREW	2		
29	13330HG5100	13330HG5100	13330HG5100	13330HG5100	13330HG5100	13330HG5100	WASHER	2		
30-1	13331HM8100	13331HM8100	13331HM8100	13331HM8100	13331HM8100	13331HM8100	NEEDLE(JET AB)(NJ)	1		
30-2	13332HM8100	13332HM8100	13332HM8100	13332HM8100	13332HM8100	13332HM8100	NEEDLE(JET AB)(NJ)	1		
31-1	13333HM8100	13333HM8100	13333HM8100	13333HM8100	13333HM8100	13333HM8100	JET NEEDLE(JN)	1		
31-2	13334HM8100	13334HM8100	13334HM8100	13334HM8100	13334HM8100	13334HM8100	JET NEEDLE(JN)	1		
32	13337HG5100	13337HG5100	13337HG5100	13337HG5100	13337HG5100	13337HG5100	RING	2		
33	13338HG5100	13338HG5100	13338HG5100	13338HG5100	13338HG5100	13338HG5100	DIAPHRAGM ASS'Y	2		
34	13339HG5100	13339HG5100	13339HG5100	13339HG5100	13339HG5100	13339HG5100	PLATE	1		
35	13340HG5100	13340HG5100	13340HG5100	13340HG5100	13340HG5100	13340HG5100	LEVER ASS'Y	1		
36	13341HG5100	13341HG5100	13341HG5100	13341HG5100	13341HG5100	13341HG5100	BRACKET ASS'Y	1		
37	13342HG5100	13342HG5100	13342HG5100	13342HG5100	13342HG5100	13342HG5100	NUT	1		
38	13343HG5100	13343HG5100	13343HG5100	13343HG5100	13343HG5100	13343HG5100	WASHER	1		
39	13344HG5100	13344HG5100	13344HG5100	13344HG5100	13344HG5100	13344HG5100	SPRING(CO)	1		
40	13345HG5100	13345HG5100	13345HG5100	13345HG5100	13345HG5100	13345HG5100	SHAFT ASS'Y	1		
41	13346HG5100	13346HG5100	13346HG5100	13346HG5100	13346HG5100	13346HG5100	THROTTLE SHAFT ASS'Y	1		
42	13347HG5100	13347HG5100	13347HG5100	13347HG5100	13347HG5100	13347HG5100	STARTER LEVER	1		
43	13348HG5100	13348HG5100	13348HG5100	13348HG5100	13348HG5100	13348HG5100	E-RING	1		
44	13349HG5100	13349HG5100	13349HG5100	13349HG5100	13349HG5100	13349HG5100	BRACKET ASS'Y	1		
45	13350HG5100	13350HG5100	13350HG5100	13350HG5100	13350HG5100	13350HG5100	SCREW	8		
46	13351HG5100	13351HG5100	13351HG5100	13351HG5100	13351HG5100	13351HG5100	ADJUST SCREW ASS'Y	1		
47	13352HG5100	13352HG5100	13352HG5100	13352HG5100	13352HG5100	13352HG5100	FLOAT BODY ASS'Y	2		
48	13353HG5100	13353HG5100	13353HG5100	13353HG5100	13353HG5100	13353HG5100	BRACKET	1		
49	13354HG5100	13354HG5100	13354HG5100	13354HG5100	13354HG5100	13354HG5100	SCREW	8		
50	13355HG5100	13355HG5100	13355HG5100	13355HG5100	13355HG5100	13355HG5100	PLATE	1		

FIG 10

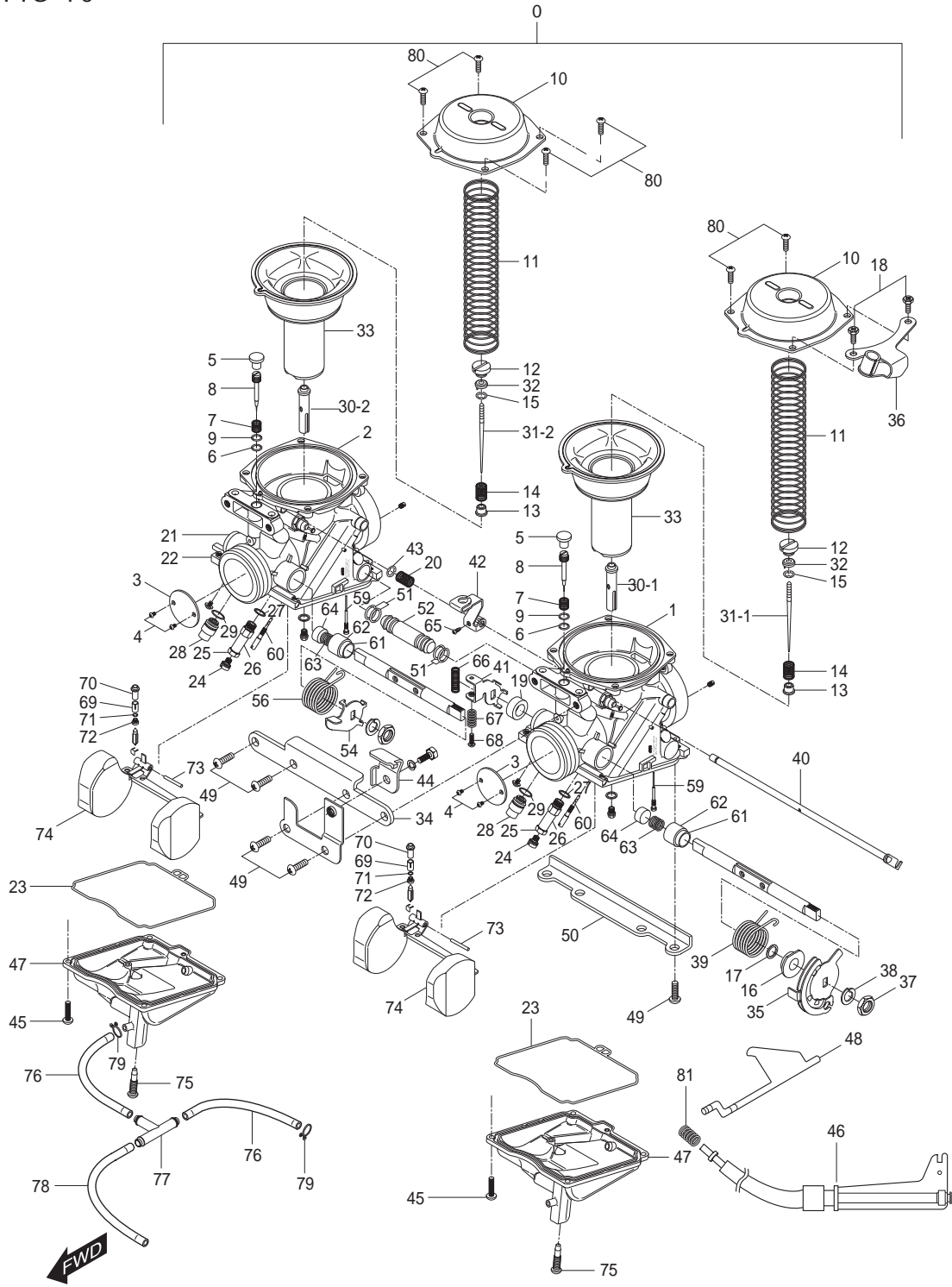


# FIG 10. CARBURETOR ASS'Y

REF. PARTS NO.							PARTS NAME	Q'TY	REMARKS	REC. Q'TY (PCS)
NO.	DOMESTIC	MAT01	MEN01	MEU01	MG01	NUS01				
51	13356HG5100	13356HG5100	13356HG5100	13356HG5100	13356HG5100	13356HG5100	O-RING	4		
52	13357HG5100	13357HG5100	13357HG5100	13357HG5100	13357HG5100	13357HG5100	NIPPLE	1		
53	13358HG5100	13358HG5100	13358HG5100	13358HG5100	13358HG5100	13358HG5100	HOSE	1		
54	13359HG5100	13359HG5100	13359HG5100	13359HG5100	13359HG5100	13359HG5100	THROTTLE LEVER	1		
55	13360HG5100	13360HG5100	13360HG5100	13360HG5100	13360HG5100	13360HG5100	NIPPLE	1		
56	13361HG5100	13361HG5100	13361HG5100	13361HG5100	13361HG5100	13361HG5100	SPRING(CO)	1		
57	13362HG5100	13362HG5100	13362HG5100	13362HG5100	13362HG5100	13362HG5100	HOSE	1		
58	13363HG5100	13363HG5100	13363HG5100	13363HG5100	13363HG5100	13363HG5100	HOSE	1		
59	13364HM8100	13364HM8100	13364HM8100	13364HM8100	13364HM8100	13364HM8100	JET(PAJ)	2		
60	13365HM8100	13365HM8100	13365HM8100	13365HM8100	13365HM8100	13365HM8100	JET(PJ)	2		
61	13366HG5100	13366HG5100	13366HG5100	13366HG5100	13366HG5100	13366HG5100	CAP	2		
62	13367HG5100	13367HG5100	13367HG5100	13367HG5100	13367HG5100	13367HG5100	GUIDE HOLDER	2		
63	13368HG5100	13368HG5100	13368HG5100	13368HG5100	13368HG5100	13368HG5100	SPRING(CO)	2		
64	13369HG5100	13369HG5100	13369HG5100	13369HG5100	13369HG5100	13369HG5100	PLUNGER ASS'Y	2		
65	13370HG5100	13370HG5100	13370HG5100	13370HG5100	13370HG5100	13370HG5100	SCREW	1		
66	13371HG5100	13371HG5100	13371HG5100	13371HG5100	13371HG5100	13371HG5100	SPRING(CO)	1		
67	13372HG5100	13372HG5100	13372HG5100	13372HG5100	13372HG5100	13372HG5100	SPRING(CO)	1		
68	13373HG5100	13373HG5100	13373HG5100	13373HG5100	13373HG5100	13373HG5100	SCREW	1		
69	13374HG5100	13374HG5100	13374HG5100	13374HG5100	13374HG5100	13374HG5100	FILTER	2		
70	13375HG5100	13375HG5100	13375HG5100	13375HG5100	13375HG5100	13375HG5100	NEEDLE VALVE ASS'Y(VS)	2		
71	13376HG5100	13376HG5100	13376HG5100	13376HG5100	13376HG5100	13376HG5100	O-RING	2		
72	13377HG5100	13377HG5100	13377HG5100	13377HG5100	13377HG5100	13377HG5100	SCREW	2		
73	13378HG5100	13378HG5100	13378HG5100	13378HG5100	13378HG5100	13378HG5100	PIN	2		
74	13379HG5100	13379HG5100	13379HG5100	13379HG5100	13379HG5100	13379HG5100	FLOAT ASS'Y	2		
75	13380HG5100	13380HG5100	13380HG5100	13380HG5100	13380HG5100	13380HG5100	SCREW	2		
76	13381HG5100	13381HG5100	13381HG5100	13381HG5100	13381HG5100	13381HG5100	HOSE	2		
77	13382HG5100	13382HG5100	13382HG5100	13382HG5100	13382HG5100	13382HG5100	NIPPLE	1		



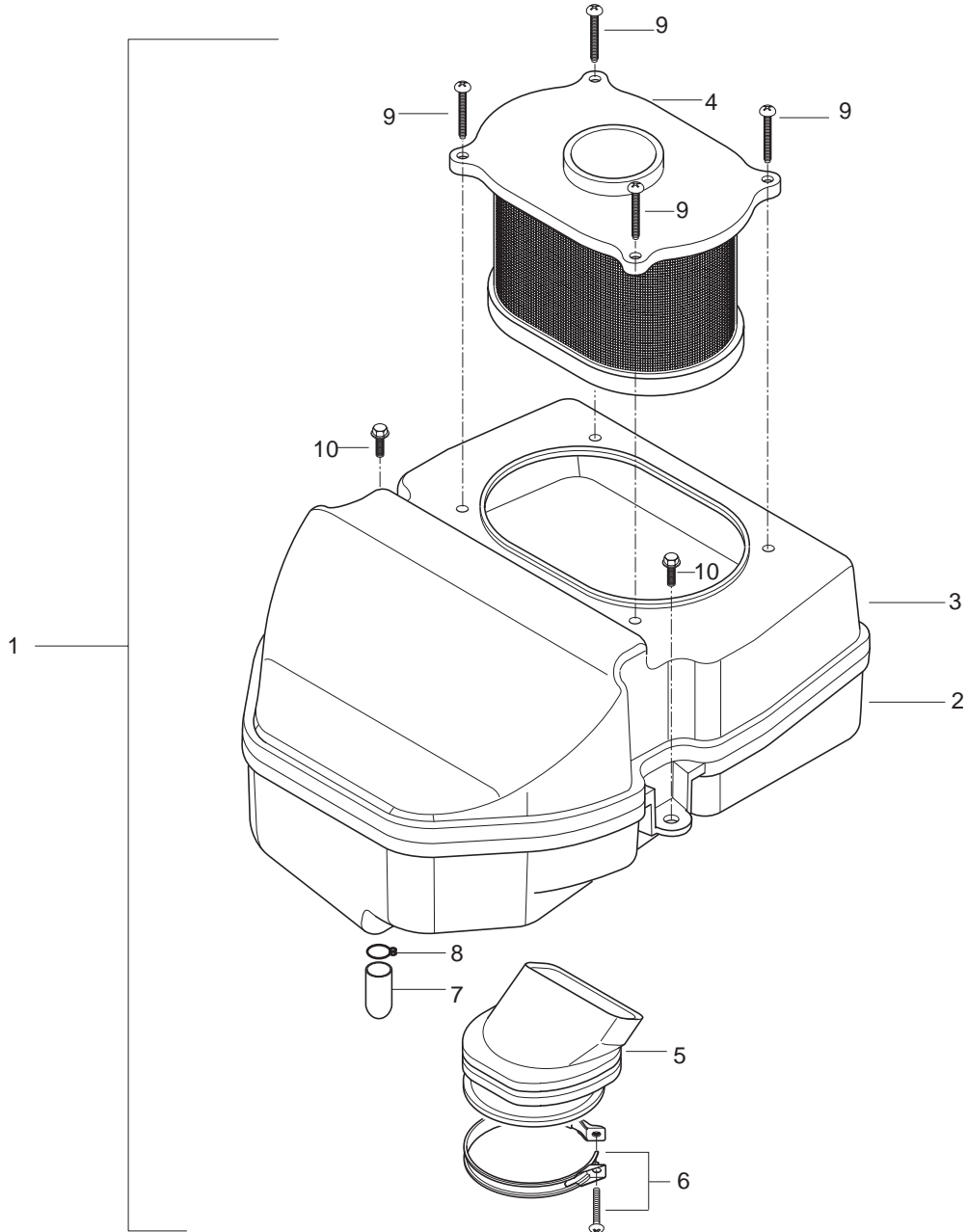
FIG 10



# FIG 10. CARBURETOR ASS`Y

REF. PARTS NO.							PARTS NAME	Q`TY	REMARKS	REC. Q'TY (PCS)
NO.	DOMESTIC	MAT01	MEN01	MEU01	MG01	NUS01				
78	13383HG5100	13383HG5100	13383HG5100	13383HG5100	13383HG5100	13383HG5100	HOSE	1		
79	13384HG5100	13384HG5100	13384HG5100	13384HG5100	13384HG5100	13384HG5100	CLIP	2		
80	13385HG5100	13385HG5100	13385HG5100	13385HG5100	13385HG5100	13385HG5100	SCREW	6		
81	13386HG5100	13386HG5100	13386HG5100	13386HG5100	13386HG5100	13386HG5100	SPRING(CO)	1		

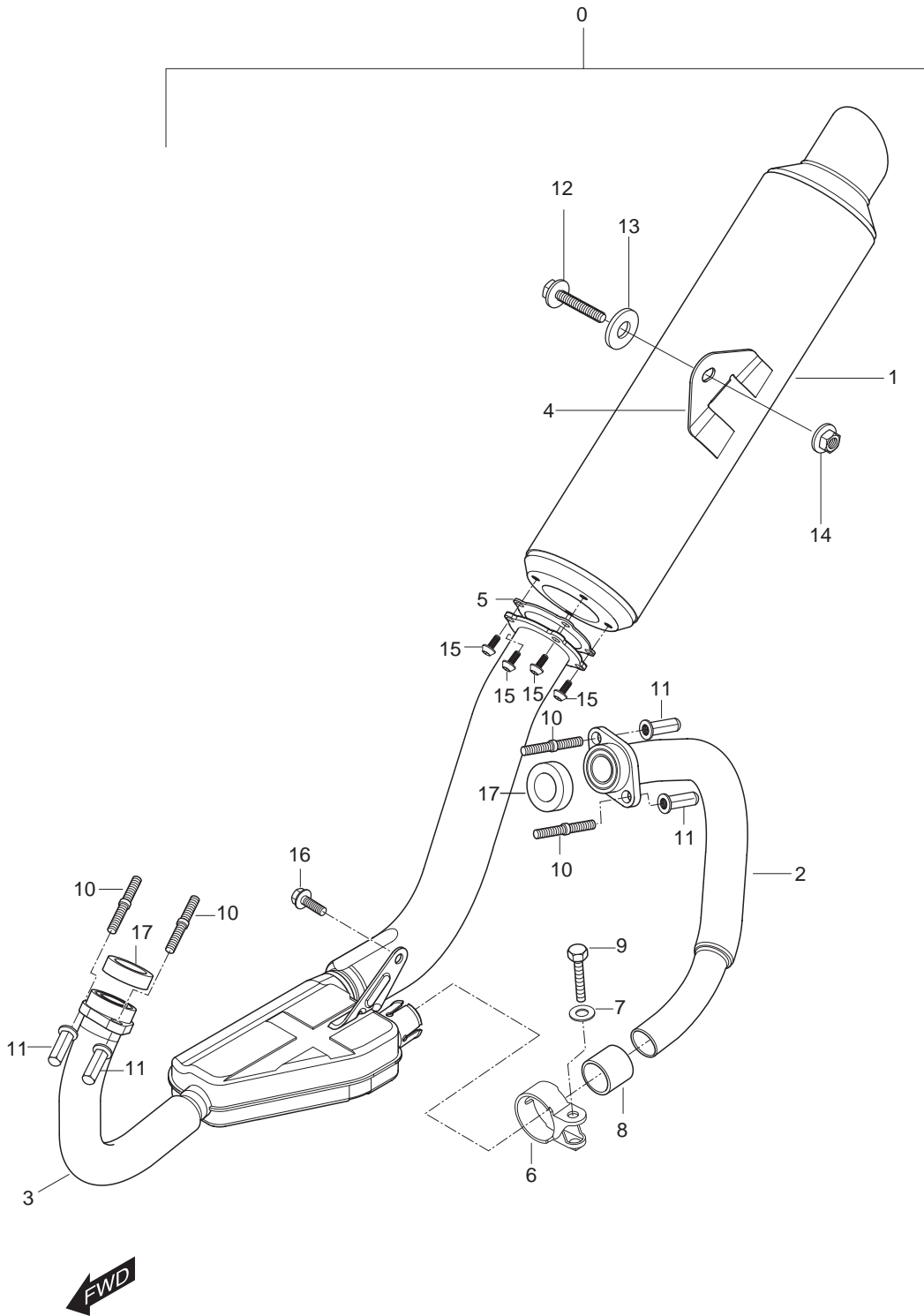
FIG 11



# FIG 11. AIR CLEANER&CHAMBER

REF. PARTS NO.							PARTS NAME	Q`TY	REMARKS	REC. Q'TY (PCS)
NO.	DOMESTIC	MAT01	MEN01	MEU01	MG01	NUS01				
1	13700HM8101	13700HM8101	13700HM8130	13700HM8130	13700HM8130	13700HM8101	CLEANER ASS'Y, air	1		5
2	13721HM8101	13721HM8101	13721HM8101	13721HM8101	13721HM8101	13721HM8101	CASE, air cleaner	1		
3	13740HM8101	13740HM8101	13740HM8101	13740HM8101	13740HM8101	13740HM8101	CAP COMP, air cleaner	1		
4	13780HM8100	13780HM8100	13780HM8100	13780HM8100	13780HM8100	13780HM8100	FILTER COMP, air cleaner	1		10
5	13881HL7300	13881HL7300	13881HL7300	13881HL7300	13881HL7300	13881HL7300	TUBE, outlet	2		
6	09402-56208	09402-56208	09402-56208	09402-56208	09402-56208	09402-56208	CLAMP, outlet tube	2		
7	13895HF4500	13895HF4500	13895HF4500	13895HF4500	13895HF4500	13895HF4500	PLUG, oil drain	1		10
8	09401-14301	09401-14301	09401-14301	09401-14301	09401-14301	09401-14301	CLIP , oil drain plug	1		
9	02142-05165	02142-05165	02142-05165	02142-05165	02142-05165	02142-05165	SCREW, air cleaner filter(M5×	4		
10	02142-16125	02142-16125	02142-16125	02142-16125	02142-16125	02142-16125	SCREW, air cleaner(M6×12)	2		

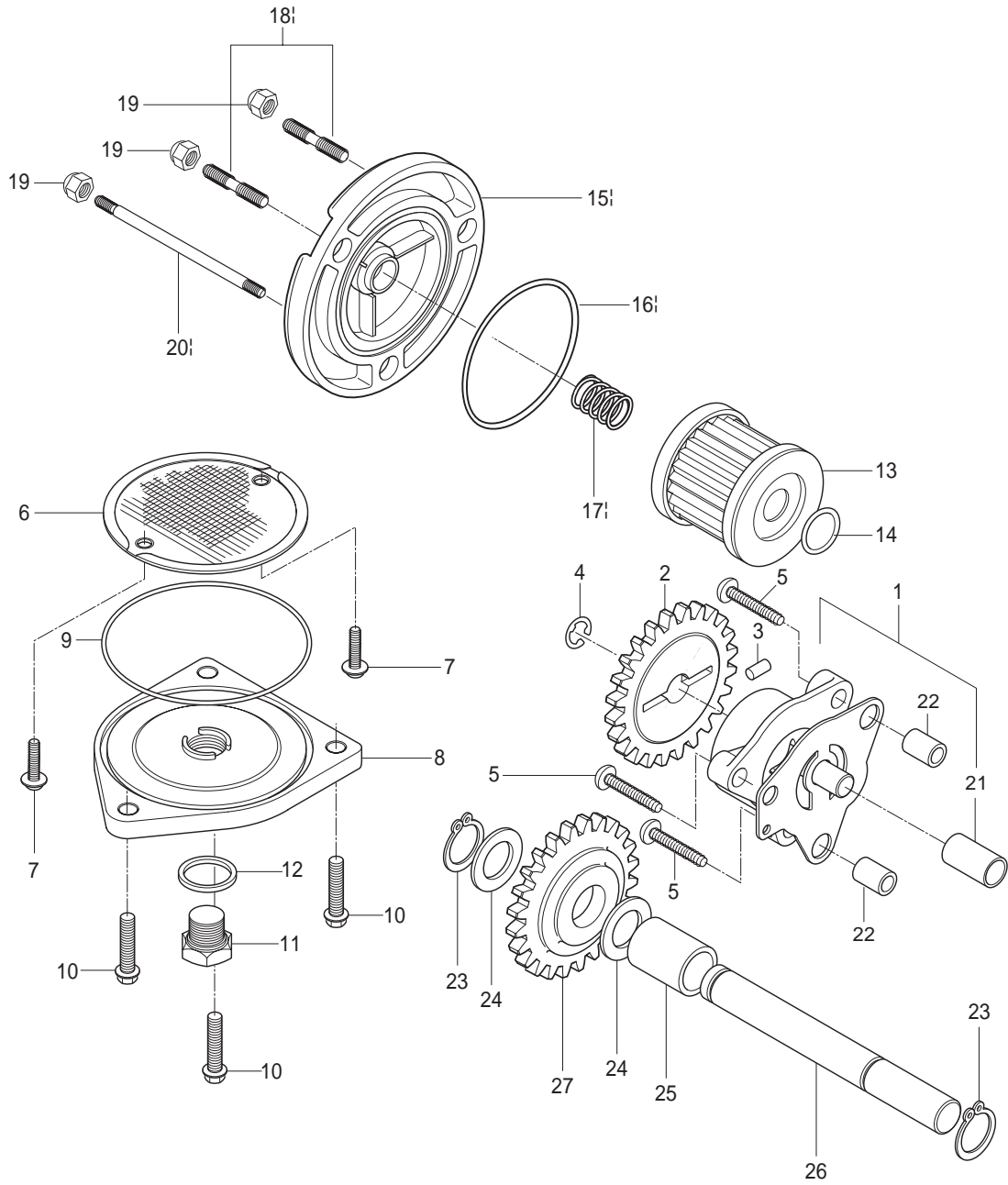
FIG 12



# FIG 12. MUFFLER

REF. PARTS NO.							PARTS NAME	Q'TY	REMARKS	REC. Q'TY (PCS)
NO.	DOMESTIC	MAT01	MEN01	MEU01	MG01	NUS01				
0	14305HM8105PLH	14305HM8105PLH	14305HM8131PAH	14305HM8131PAH	14305HM8131PAH	14305HM8105PLH	MUFFLER, ASS'Y	1		
1	14310HM8104PLA	14310HM8104PLA	14310HM8104PLA	14310HM8104PLA	14310HM8104PLA	14310HM8104PLA	BODY COMP, muffler front	1	~ KM4MJ51B441101226	
1-1	14310HM8105PLA	14310HM8105PLA	14310HM8131PLA	14310HM8131PLA	14310HM8131PLA	14310HM8105PLA	BODY COMP, muffler front	1		
2	14160HM8102PAM	14160HM8102PAM	14160HM8102PAM	14160HM8102PAM	14160HM8102PAM	14160HM8102PAM	PIPE COMP, exhaust rear	1		
3	14150HM8103PAM	14150HM8103PAM	14150HM8130PAM	14150HM8130PAM	14150HM8130PAM	14150HM8103PAM	PIPE COMP, exhaust front	1		5
4	14411HM8100	14411HM8100	14411HM8100	14411HM8100	14411HM8100	14411HM8100	BRACKET, muffler support	1	NOT SALE	
5	14314HM8110	14314HM8110	14314HM8110	14314HM8110	14314HM8110	14314HM8110	GASKET, connector flange	1		
6	14770HG5101PAM	14770HG5101PAM	14770HG5101PAM	14770HG5101PAM	14770HG5101PAM	14770HG5101PAM	CONNECTOR COMP, exhaus	1		5
7	09160-10001	09160-10001	09160-10001	09160-10001	09160-10001	09160-10001	WASHER, exhaust pipe connec	1		
8	14773HG5100	14773HG5100	14773HG5100	14773HG5100	14773HG5100	14773HG5100	GASKET, connector exhaust p	1		5
9	01137-08358	01137-08358	01137-08358	01137-08358	01137-08358	01137-08358	BOLT, connector exhaust pipe(	1		10
10	01421-08258	01421-08258	01421-08258	01421-08258	01421-08258	01421-08258	STUD BOLT, exhaust pipe(M8	4		
11	09143H08001	09143H08001	09143H08001	09143H08001	09143H08001	09143H08001	NUT, exhaust pipe(M8)	4		
12	07110-10358	07110-10358	07110-10358	07110-10358	07110-10358	07110-10358	BOLT, muffler support	1		
13	09160-10102	09160-10102	09160-10102	09160-10102	09160-10102	09160-10102	WASHER, muffler support	1		
14	08316-26108	08316-26108	08316-26108	08316-26108	08316-26108	08316-26108	NUT, muffler support rear	1		
15	09119H06002	09119H06002	09119H06002	09119H06002	09119H06002	09119H06002	BOLT, connector flange	4		20
16	01137-08168	01137-08168	01137-08168	01137-08168	01137-08168	01137-08168	BOLT, muffler chamber bracke	1		
17	14181-46E00	14181-46E00	14181-46E00	14181-46E00	14181-46E00	14181-46E00	GASKET, exhaust pipe	2		20

FIG 13

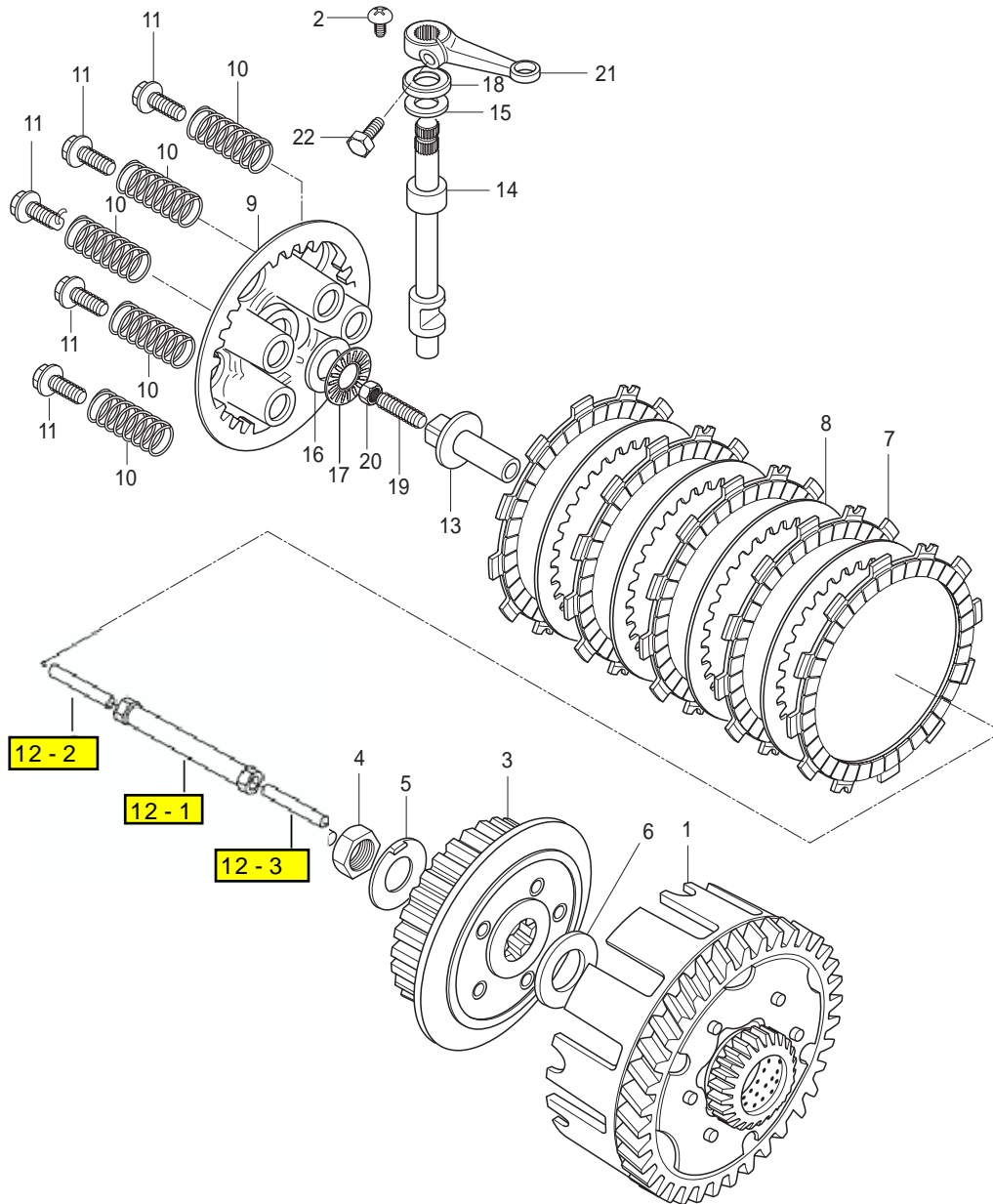


# FIG 13. OIL PUMP

REF. PARTS NO.							PARTS NAME	Q`TY	REMARKS	REC. Q'TY (PCS)
NO.	DOMESTIC	MAT01	MEN01	MEU01	MG01	NUS01				
1	16400HG5102	16400HG5102	16400HG5102	16400HG5102	16400HG5102	16400HG5102	PUMP ASS`Y, oil	1		
2	16331HG5102	16331HG5102	16331HG5102	16331HG5102	16331HG5102	16331HG5102	GEAR, oil pump driven	1		
3	09261-02001	09261-02001	09261-02001	09261-02001	09261-02001	09261-02001	PIN, oil pump driven gear	1		
4	08332-11069	08332-11069	08332-11069	08332-11069	08332-11069	08332-11069	CIRCLIP, oil pump driven gear	1		
5	02112-06258	02112-06258	02112-06258	02112-06258	02112-06258	02112-06258	SCREW, oil pump(M6×25)	3		
6	16520-05202	16520-05202	16520-05202	16520-05202	16520-05202	16520-05202	STRAINER COMP, engine oil	1		
7	02112-95126	02112-95126	02112-95126	02112-95126	02112-95126	02112-95126	SCREW, engine oil strainer(M	2		
8	16523-05200	16523-05200	16523-05200	16523-05200	16523-05200	16523-05200	CAP, oil strainer	1		5
9	09280-60005	09280-60005	09280-60005	09280-60005	09280-60005	09280-60005	O-RING, strainer cap(60.5× 2.4	1		
10	01547-06208	01547-06208	01547-06208	01547-06208	01547-06208	01547-06208	BOLT, oil strainer cap(M6× 20	3		
11	09247-14002	09247-14002	09247-14002	09247-14002	09247-14002	09247-14002	PLUG, oil drain	1		10
12	09168H14003	09168H14003	09168H14003	09168H14003	09168H14003	09168H14003	GASKET, drain plug	1		
13	16510-05240	16510-05240	16510-05240	16510-05240	16510-05240	16510-05240	FILTER COMP, engine oil	1		20
14	09280-13004	09280-13004	09280-13004	09280-13004	09280-13004	09280-13004	O-RING, oil filter(13.5×1.5)	1		
15	16512HG510003P	16512HG510003S	16512HG510003S	16512HG510003S	16512HG510003S	16512HG510003S	CAP, oil filter	1		
16	09280-54001	09280-54001	09280-54001	09280-54001	09280-54001	09280-54001	O-RING, oil filter cap(25.7×3.4	1		
17	09440-18002	09440-18002	09440-18002	09440-18002	09440-18002	09440-18002	SPRING, oil filter cap	1		
18	01421-06128	01421-06128	01421-06128	01421-06128	01421-06128	01421-06128	BOLT, oil filter cap stud(M6×1	2		30
19	08313-11068	08313-11068	08313-11068	08313-11068	08313-11068	08313-11068	NUT, oil filter cap(M6)	3		
20	01421-06658	01421-06658	01421-06658	01421-06658	01421-06658	01421-06658	BOLT, oil filter cap stud(M6×6	1		
21	16419HG5100	16419HG5100	16419HG5100	16419HG5100	16419HG5100	16419HG5100	BUSH,oil pump	1		
22	09206-08001	09206-08001	09206-08001	09206-08001	09206-08001	09206-08001	PIN, oil pump knock	2		6
23	08331-31109	08331-31109	08331-31109	08331-31109	08331-31109	08331-31109	CIRCLELIP	2		
24	08211-10181	08211-10181	08211-10181	08211-10181	08211-10181	08211-10181	WASHER	2		
25	09180H10022	09180H10022	09180H10022	09180H10022	09180H10022	09180H10022	SPACER	1		
26	16451HG5101	16451HG5101	16451HG5101	16451HG5101	16451HG5101	16451HG5101	SHAFT, oil pump idle gear	1		
27	16431HG5104	16431HG5104	16431HG5104	16431HG5104	16431HG5104	16431HG5104	GEAR, oil pump idle	1		



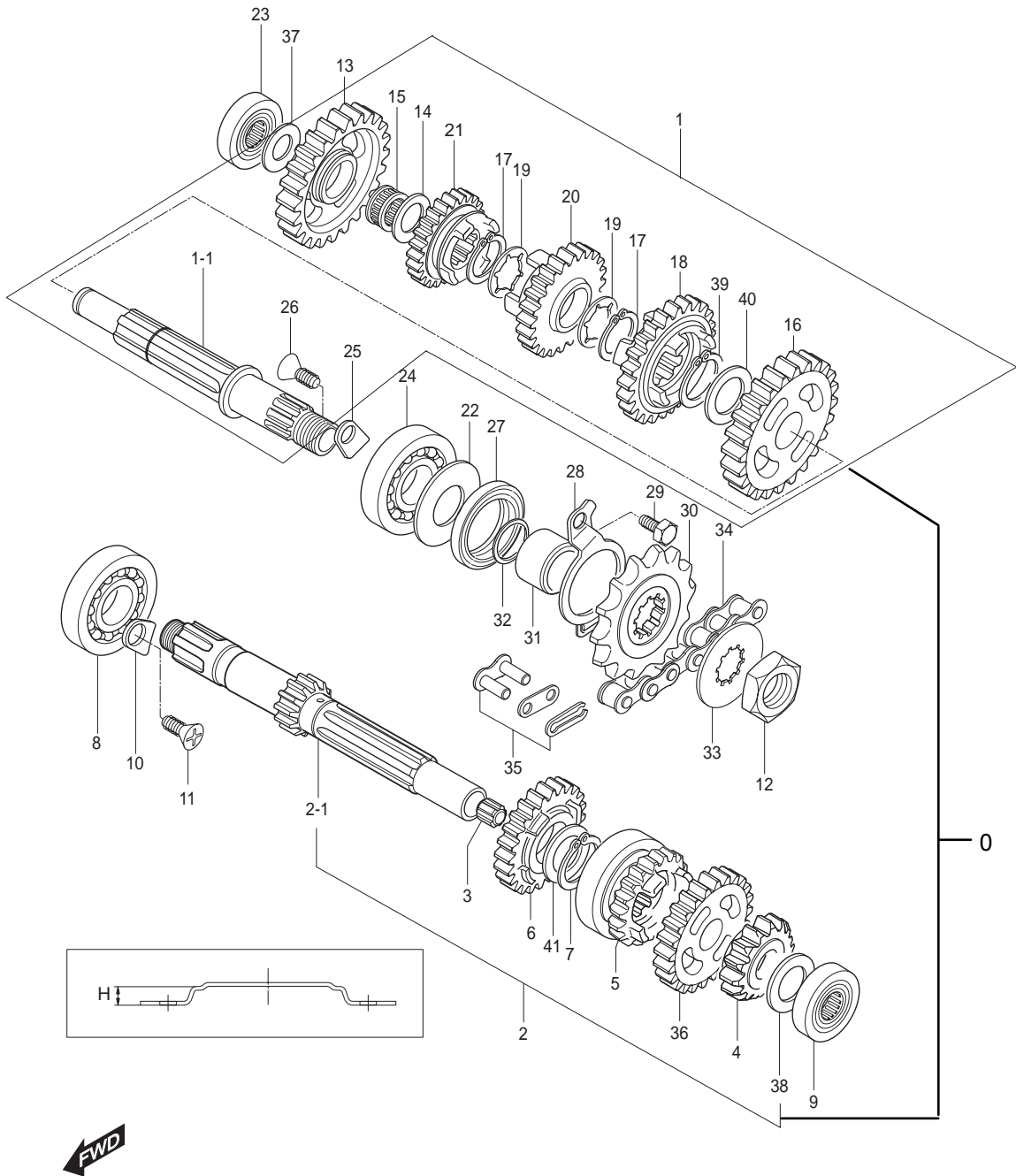
FIG 14



# FIG 14. CLUTCH ASS'Y

REF. PARTS NO.							PARTS NAME	Q`TY	REMARKS	REC. Q'TY (PCS)
NO.	DOMESTIC	MAT01	MEN01	MEU01	MG01	NUS01				
1	21210HJ8201	21200HJ8200HPA	21200HJ8200HPA	21200HJ8200HPA	21200HJ8200HPA	21200HJ8200HPA	GEAR COMP, primary driven	1		
2	02142-06108	02142-06108	02142-06108	02142-06108	02142-06108	02142-06108	STOPPER, clutch release cams	1		
3	21411HJ8202	21411HJ8202	21411HJ8202	21411HJ8202	21411HJ8202	21411HJ8202	HUB, clutch sleeve	1		
4	09140-16014	09140-16014	09140-16014	09140-16014	09140-16014	09140-16014	NUT, clutch sleeve hub(M6)	1		
5	09169H16001	09169H16001	09169H16001	09169H16001	09169H16001	09169H16001	WASHER, clutch sleeve hub	1	03/03/12수정	
6	09167H18001	09167H18001	09167H18001	09167H18001	09167H18001	09167H18001	THRUST WASHER, clutch sle	1		
7	21441HJ8201	21441HJ8201	21441HJ8201	21441HJ8201	21441HJ8201	21441HJ8201	PLATE, clutch drive	6		25
8	21451HJ8201	21451HJ8201	21451HJ8201	21451HJ8201	21451HJ8201	21451HJ8201	PLATE, clutch driven	5		20
9	21462HJ8201	21462HJ8201	21462HJ8201	21462HJ8201	21462HJ8201	21462HJ8201	DISK, clutch pressure	1		
10	09440H16003	09440H16003	09440H16003	09440H16003	09440H16003	09440H16003	SPRING, clutch	5		
11	09116H05001	09116H05001	09116H05001	09116H05001	09116H05001	09116H05001	BOLT, clutch spring(M5× 20)	5		
12	23110HJ8201	23110HJ8201	23110HJ8201	23110HJ8201	23110HJ8201	23110HJ8201	ROD COMP, clutch push	1	~KM4MJ51BX51103469	
12-1	23110HJ8202	23110HJ8202	23110HJ8202	23110HJ8202	23110HJ8202	23110HJ8202	ROD COMP, clutch push	1	KM4MJ51BX51103470~	
12-2	23115HN9100	23115HN9100	23115HN9100	23115HN9100	23115HN9100	23115HN9100	ROD clutch push NO.2	1	KM4MJ51BX51103470~	
12-3	23113HJ8200	23113HJ8200	23113HJ8200	23113HJ8200	23113HJ8200	23113HJ8200	ROD clutch push R	1	KM4MJ51BX51103470~	
13	23121-05200	23121-05200	23121-05200	23121-05200	23121-05200	23121-05200	PIECE, clutch push	5	~ KM4MJ51B941101111	
13~1	23121-38201	23121-38201	23121-38201	23121-38201	23121-38201	23121-38201			KM4MJ51B941101112~	
14	23122HG5100	23122HG5100	23122HG5100	23122HG5100	23122HG5100	23122HG5100	CAM SHAFT, clutch release	1		
15	08211-10201	08211-10201	08211-10201	08211-10201	08211-10201	08211-10201	THRUST WASHER, clutch rel	1		
16	09160-15015	09160-15015	09160-15015	09160-15015	09160-15015	09160-15015	THRUST WASHER, clutch rel	1		
17	09263H15001	09263H15001	09263H15001	09263H15001	09263H15001	09263H15001	THRUST BEARING, clutch re	1		
18	09282-10007	09282-10007	09282-10007	09282-10007	09282-10007	09282-10007	OIL SEAL, clutch release cams	1		
19	09134-06010	09134-06010	09134-06010	09134-06010	09134-06010	09134-06010	SCREW, clutch release adjuste	1		
20	08310-22068	08310-22068	08310-22068	08310-22068	08310-22068	08310-22068	NUT, clutch release adjust(M6)	1		
21	23271HJ8250	23271HJ8250	23271HJ8250	23271HJ8250	23271HJ8250	23271HJ8250	ARM, clutch release	1		
22	01107-06168	01107-06168	01107-06168	01107-06168	01107-06168	01107-06168	BOLT, clutch release arm(M6×	1		

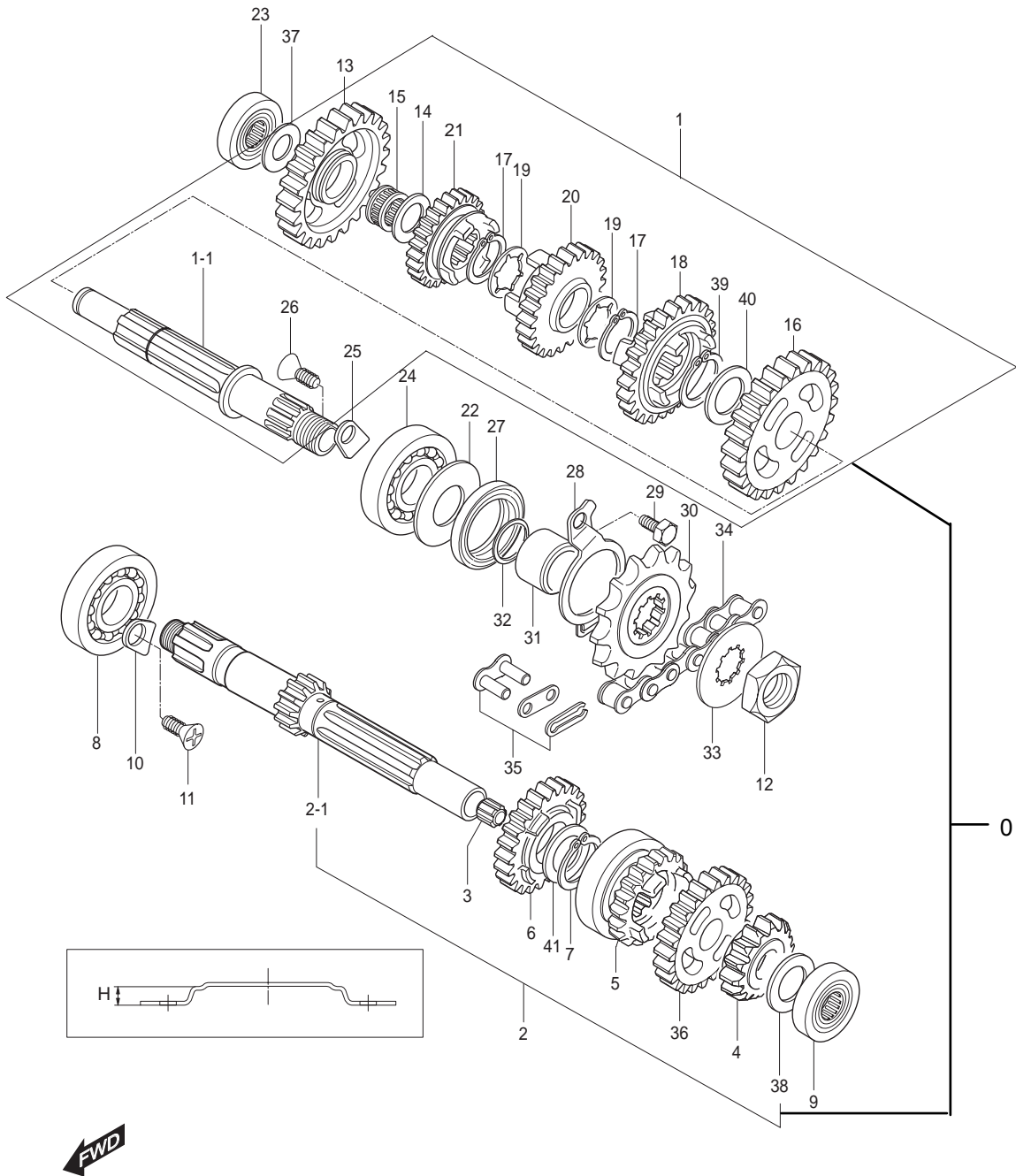
FIG 15



# FIG 15. TRANSMISSION

REF. PARTS NO.							PARTS NAME	Q'TY	REMARKS	REC. Q'TY (PCS)
NO.	DOMESTIC	MAT01	MEN01	MEU01	MG01	NUS01				
0	24200SJ8200HPA	24200SJ8200HPA	24200SJ8200HPA	24200SJ8200HPA	24200SJ8200HPA	24200SJ8200HPA	MISSION GEAR SET	1		
1	24130HJ8200HPA	24130HJ8200HPA	24130HJ8200HPA	24130HJ8200HPA	24130HJ8200HPA	24130HJ8200HPA	DRIVE SHAFT ASS'Y	1		
1-1	24130HJ8201	24130HJ8201	24130HJ8201	24130HJ8201	24130HJ8201	24130HJ8201	SHAFT COMP, drive	1		3
2	24121HJ8200HPA	24121HJ8200HPA	24121HJ8200HPA	24121HJ8200HPA	24121HJ8200HPA	24121HJ8200HPA	SHAFT COMP, counter	1		
2-1	24121HJ8201	24121HJ8201	24121HJ8201	24121HJ8201	24121HJ8201	24121HJ8201	SHAFT, counter	1	~KM4MJ51B261103611	3
2-1~1	24121HJ8202	24121HJ8202	24121HJ8202	24121HJ8202	24121HJ8202	24121HJ8202	SHAFT, counter	1	KM4MJ51B261103612~	3
3	24125-38201	24125-38201	24125-38201	24125-38201	24125-38201	24125-38201	BUSH, counter shaft	1		
4	24221HJ8201	24221HJ8201	24221HJ8201	24221HJ8201	24221HJ8201	24221HJ8201	GEAR, 2nd drive	1		3
5	24241HJ8200	24241HJ8200	24241HJ8200	24241HJ8200	24241HJ8200	24241HJ8200	GEAR, 4th drive	1		
6	24251HJ8201	24251HJ8201	24251HJ8201	24251HJ8201	24251HJ8201	24251HJ8201	GEAR, 5th drive	1		3
7	09380H20001	09380H20001	09380H20001	09380H20001	09380H20001	09380H20001	CIRCLIP, 5th drive gear	1		40
8	08110-62050	08110-62050	08110-62050	08110-62050	08110-62050	08110-62050	BEARING, counter shaft R(#6:	1		5
9	09263H17001	09263H17001	09263H17001	09263H17001	09263H17001	09263H17001	BEARING, counter shaft L(24:	1		5
10	24741HG5100	24741HG5100	24741HG5100	24741HG5100	24741HG5100	24741HG5100	RETAINER, counter shaft bear	1		10
11	02122-06128	02122-06128	02122-06128	02122-06128	02122-06128	02122-06128	SCREW, counter shaft bearing	1		60
12	09140-16017	09140-16017	09140-16017	09140-16017	09140-16017	09140-16017	NUT, engine sprocket(M21)	1		5
13	24311HJ8200	24311HJ8200	24311HJ8200	24311HJ8200	24311HJ8200	24311HJ8200	GEAR, 1st driven	1		3
14	08211-17261	08211-17261	08211-17261	08211-17261	08211-17261	08211-17261	THRUST WASHER, 1st driver	1		5
15	09263H17008	09263H17008	09263H17008	09263H17008	09263H17008	09263H17008	BEARING, 1st driven gear(24>	2		5
16	24320HJ8200	24320HJ8200	24320HJ8200	24320HJ8200	24320HJ8200	24320HJ8200	GEAR COMP, 2nd driven	1		3
17	09380H20001	09380H20001	09380H20001	09380H20001	09380H20001	09380H20001	CIRCLIP, 4th driven gear	2		
18	24331HJ8200	24331HJ8200	24331HJ8200	24331HJ8200	24331HJ8200	24331HJ8200	GEAR, 3rd driven	1		3
19	09167H18002	09167H18002	09167H18002	09167H18002	09167H18002	09167H18002	THRUST WASHER, 4th drive:	1		8
20	24341HJ8200	24341HJ8200	24341HJ8200	24341HJ8200	24341HJ8200	24341HJ8200	GEAR, 4th driven	1		3
21	24351HJ8202	24351HJ8202	24351HJ8202	24351HJ8202	24351HJ8202	24351HJ8202	GEAR, 5th driven	1		3
22	24359-05200	24359-05200	24359-05200	24359-05200	24359-05200	24359-05200	WASHER, oil sealing	1	~KM4MJ51B261103611	5
22~1	09160H20011	09160H20011	09160H20011	09160H20011	09160H20011	09160H20011	WASHER, oil sealing	1	KM4MJ51B261103612~	5
23	09263H17007	09263H17007	09263H17007	09263H17007	09263H17007	09263H17007	BEARING, drive shaft R	1		5
24	09262H22016	09262H22016	09262H22016	09262H22016	09262H22016	09262H22016	BEARING, drive shaft L(22× 5	1		5

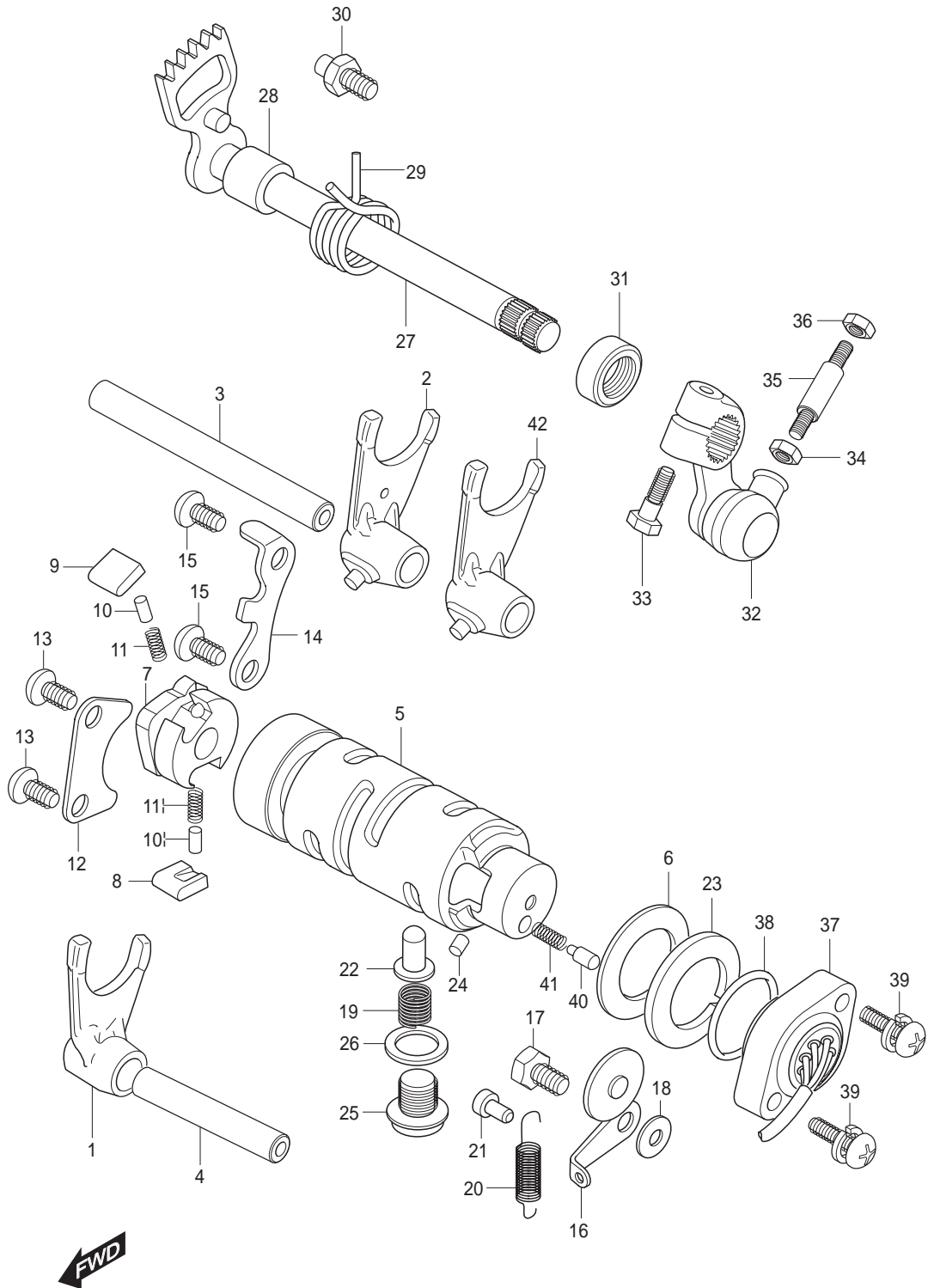
FIG 15



# FIG 15. TRANSMISSION

REF. PARTS NO.							PARTS NAME	Q`TY	REMARKS	REC. Q'TY (PCS)
NO.	DOMESTIC	MAT01	MEN01	MEU01	MG01	NUS01				
25	24741HG5100	24741HG5100	24741HG5100	24741HG5100	24741HG5100	24741HG5100	RETAINER, drive shaft bearin	1		
26	02122-06128	02122-06128	02122-06128	02122-06128	02122-06128	02122-06128	SCREW, drive shaft bearing re	1		
27	09283-27010	09283-27010	09283-27010	09283-27010	09283-27010	09283-27010	OIL SEAL, drive shaft(40×6)	1		5
28	24751HG5102	24751HG5102	24751HG5102	24751HG5102	24751HG5102	24751HG5102	RETAINER, drive shaft oil sea	1		5
29	01107-06106	01107-06106	01107-06106	01107-06106	01107-06106	01107-06106	BOLT, drive shaft oil seal retai	2		
30	27510HJ8200	27510HJ8200	27510HJ8200	27510HJ8200	27510HJ8200	27510HJ8200	SPROCKET COMP, engine 14	1		3
31	27531HJ8200	27531HJ8200	27531HJ8200	27531HJ8200	27531HJ8200	27531HJ8200	SPACER, engine sprocket	1		
32	09280-19005	09280-19005	09280-19005	09280-19005	09280-19005	09280-19005	O-RING, engine sprocket(29×2	1		
33	09167-20006	09167-20006	09167-20006	09167-20006	09167-20006	09167-20006	LOCK WASHER, engine spro	1		
34	27600HM8100	27600HM8100	27600HM8100	27600HM8100	27600HM8100	27600HM8100	CHAIN ASS'Y, drive(#520)11	1		10
35	27620H93B00	27620H93B00	27620H93B00	27620H93B00	27620H93B00	27620H93B00	.JOINT, chain	1	NOT SALE	
36	24230HJ8200	24230HJ8200	24230HJ8200	24230HJ8200	24230HJ8200	24230HJ8200	GEAR COMP, 3rd drive	1		3
37	08211-17301	08211-17301	08211-17301	08211-17301	08211-17301	08211-17301	WASHER, drive shaft thrust	1		
38	08211-17301	08211-17301	08211-17301	08211-17301	08211-17301	08211-17301	WASHER, counter shaft thrust	1		
39	09380H20001	09380H20001	09380H20001	09380H20001	09380H20001	09380H20001	CILCLIP, 2nd driven gear	1		
40	08211-22281	08211-22281	08211-22281	08211-22281	08211-22281	08211-22281	WASHER, 2nd driven gear	1		
41	08211-22281	08211-22281	08211-22281	08211-22281	08211-22281	08211-22281	WASHER, 5th drive gear thrus	1		

FIG 16

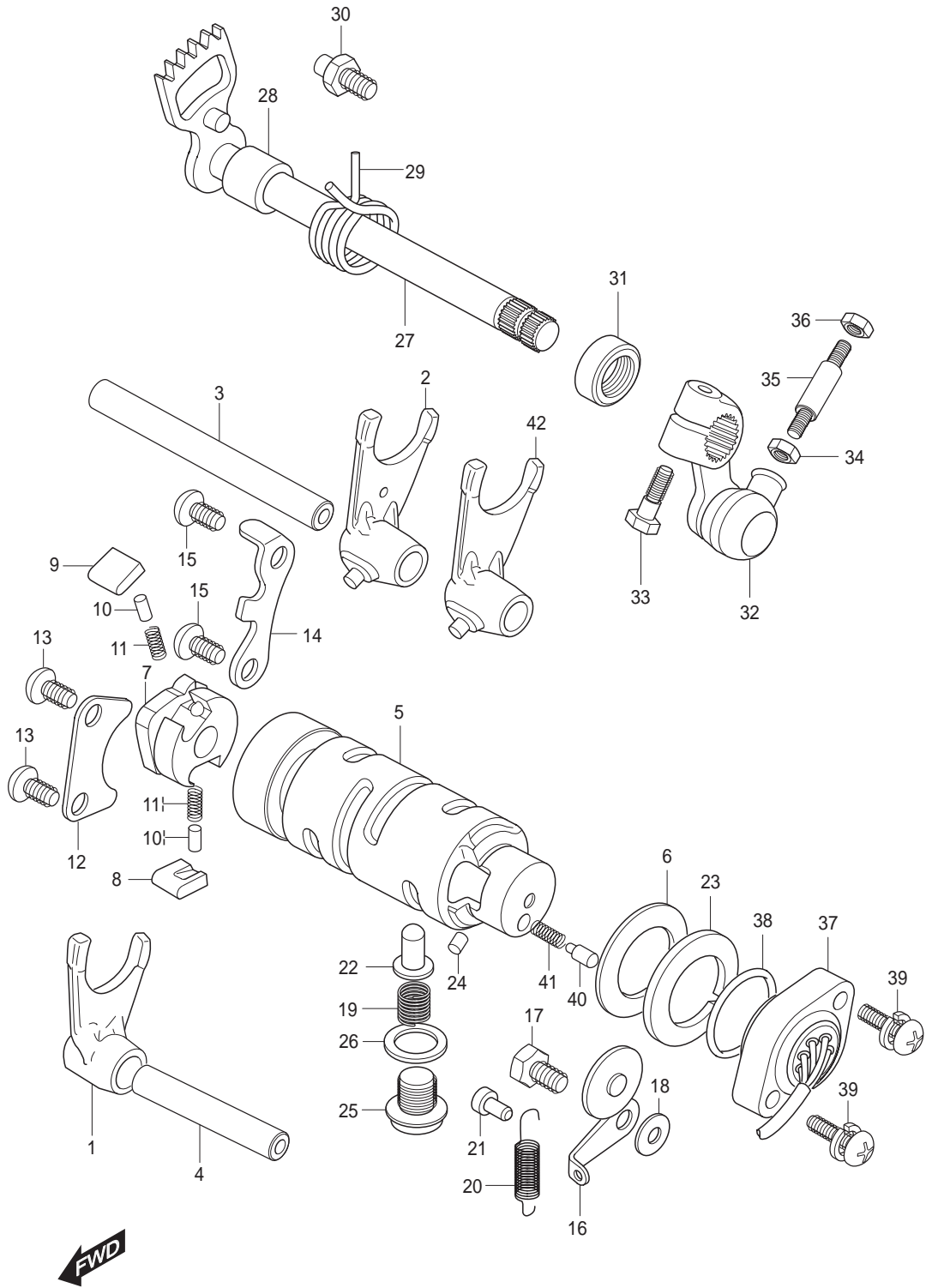


# FIG 16. GEAR SHIFTING

REF. PARTS NO.							PARTS NAME	Q`TY	REMARKS	REC. Q'TY (PCS)
NO.	DOMESTIC	MAT01	MEN01	MEU01	MG01	NUS01				
1	25211HJ8200	25211HJ8200	25211HJ8200	25211HJ8200	25211HJ8200	25211HJ8200	FORK, gear shift No.1	1		6
2	25231HJ8200	25231HJ8200	25231HJ8200	25231HJ8200	25231HJ8200	25231HJ8200	FORK, gear shift No.3	1		3
3	25411-05201	25411-05201	25411-05201	25411-05201	25411-05201	25411-05201	SHAFT, gear shift fork No.1	1		3
4	25421-35403	25421-35403	25421-35403	25421-35403	25421-35403	25421-35403	SHAFT, gear shift fork No.2	1		3
5	25310HJ8200	25310HJ8200	25310HJ8200	25310HJ8200	25310HJ8200	25310HJ8200	CAM COMP, gear shift	1		3
6	08211-25401	08211-25401	08211-25401	08211-25401	08211-25401	08211-25401	WASHER, gear shift cam	1		
7	25322-31301	25322-31301	25322-31301	25322-31301	25322-31301	25322-31301	GEAR, gear shift cam driven	1		
8	25323-34201	25323-34201	25323-34201	25323-34201	25323-34201	25323-34201	PAWL, gear shift No.1	1		
9	25324-34201	25324-34201	25324-34201	25324-34201	25324-34201	25324-34201	PAWL, gear shift No.2	1		
10	09261-05003	09261-05003	09261-05003	09261-05003	09261-05003	09261-05003	PIN, gear shift pawl click	2		
11	09440-04003	09440-04003	09440-04003	09440-04003	09440-04003	09440-04003	SPRING, gear shift pawl return	2		
12	25331-30000	25331-30000	25331-30000	25331-30000	25331-30000	25331-30000	LIFTER, gear shift pawl	1		
13	02122-06128	02122-06128	02122-06128	02122-06128	02122-06128	02122-06128	SCREW, gear shift pawl	2		
14	25341HG5100	25341HG5100	25341HG5100	25341HG5100	25341HG5100	25341HG5100	GUIDE, gear shift cam	1		
15	02122-06128	02122-06128	02122-06128	02122-06128	02122-06128	02122-06128	SCREW, gear shift pawl lifter	2		
16	25350HG5100	25350HG5100	25350HG5100	25350HG5100	25350HG5100	25350HG5100	STOPPER COMP, gear shift ca	1		
17	09111-06019	09111-06019	09111-06019	09111-06019	09111-06019	09111-06019	BOLT, gear shift cam stopper	1		
18	08211-06141	08211-06141	08211-06141	08211-06141	08211-06141	08211-06141	WASHER, gear shift cam stop	1		
19	09440H11020	09440H11020	09440H11020	09440H11020	09440H11020	09440H11020	SPRING, gear shift cam stoppe	1		
20	09443H08044	09443H08044	09443H08044	09443H08044	09443H08044	09443H08044	SPRING, gear shift cam stoppe	1		
21	09223-04001	09223-04001	09223-04001	09223-04001	09223-04001	09223-04001	HOOK, gear shift shaft spring	1		
22	25351-30010	25351-30010	25351-30010	25351-30010	25351-30010	25351-30010	STOPPER, gear shift cam neut	1		
23	25381-45400	25381-45400	25381-45400	25381-45400	25381-45400	25381-45400	PLATE, gear shift cam stopper	1		
24	04221-04069	04221-04069	04221-04069	04221-04069	04221-04069	04221-04069	PIN, gear shift cam stopper pla	1		
25	09247-14026	09247-14026	09247-14026	09247-14026	09247-14026	09247-14026	PLUG, gear shift cam stopper	1		
26	09168H14003	09168H14003	09168H14003	09168H14003	09168H14003	09168H14003	WASHER, gear shift cam stop	1		
27	25510HG5101	25510HG5101	25510HG5101	25510HG5101	25510HG5101	25510HG5101	SHAFT COMP, gear shift	1		5



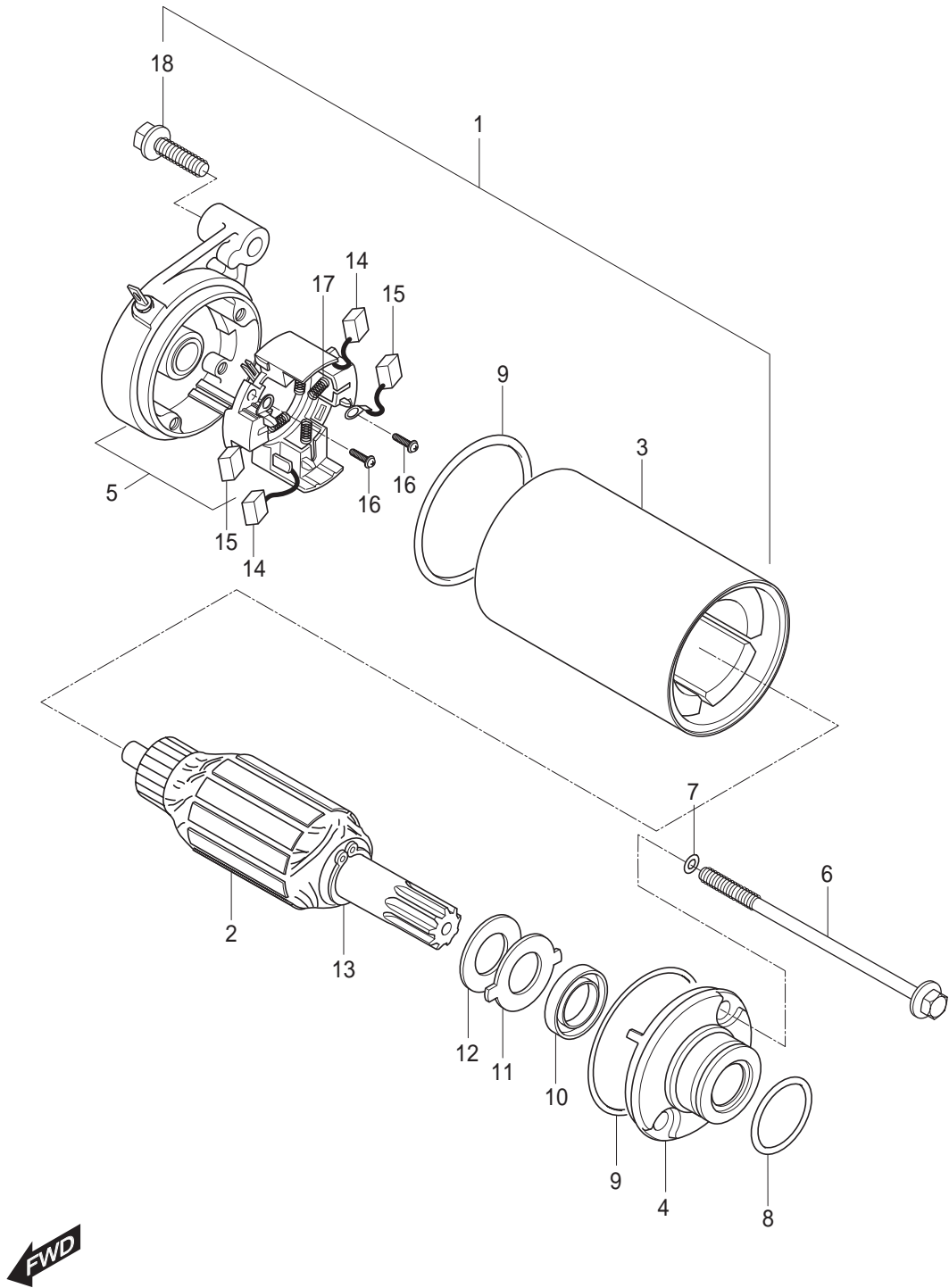
FIG 16



# FIG 16. GEAR SHIFTING

REF. PARTS NO.							PARTS NAME	Q`TY	REMARKS	REC. Q'TY (PCS)
NO.	DOMESTIC	MAT01	MEN01	MEU01	MG01	NUS01				
1	25211HJ8200	25211HJ8200	25211HJ8200	25211HJ8200	25211HJ8200	25211HJ8200	FORK, gear shift No.1	1		6
2	25231HJ8200	25231HJ8200	25231HJ8200	25231HJ8200	25231HJ8200	25231HJ8200	FORK, gear shift No.3	1		3
3	25411-05201	25411-05201	25411-05201	25411-05201	25411-05201	25411-05201	SHAFT, gear shift fork No.1	1		3
4	25421-35403	25421-35403	25421-35403	25421-35403	25421-35403	25421-35403	SHAFT, gear shift fork No.2	1		3
5	25310HJ8200	25310HJ8200	25310HJ8200	25310HJ8200	25310HJ8200	25310HJ8200	CAM COMP, gear shift	1		3
6	08211-25401	08211-25401	08211-25401	08211-25401	08211-25401	08211-25401	WASHER, gear shift cam	1		
7	25322-31301	25322-31301	25322-31301	25322-31301	25322-31301	25322-31301	GEAR, gear shift cam driven	1		
8	25323-34201	25323-34201	25323-34201	25323-34201	25323-34201	25323-34201	PAWL, gear shift No.1	1		
9	25324-34201	25324-34201	25324-34201	25324-34201	25324-34201	25324-34201	PAWL, gear shift No.2	1		
10	09261-05003	09261-05003	09261-05003	09261-05003	09261-05003	09261-05003	PIN, gear shift pawl click	2		
11	09440-04003	09440-04003	09440-04003	09440-04003	09440-04003	09440-04003	SPRING, gear shift pawl return	2		
12	25331-30000	25331-30000	25331-30000	25331-30000	25331-30000	25331-30000	LIFTER, gear shift pawl	1		
13	02122-06128	02122-06128	02122-06128	02122-06128	02122-06128	02122-06128	SCREW, gear shift pawl	2		
14	25341HG5100	25341HG5100	25341HG5100	25341HG5100	25341HG5100	25341HG5100	GUIDE, gear shift cam	1		
15	02122-06128	02122-06128	02122-06128	02122-06128	02122-06128	02122-06128	SCREW, gear shift pawl lifter	2		
16	25350HG5100	25350HG5100	25350HG5100	25350HG5100	25350HG5100	25350HG5100	STOPPER COMP, gear shift ca	1		
17	09111-06019	09111-06019	09111-06019	09111-06019	09111-06019	09111-06019	BOLT, gear shift cam stopper	1		
18	08211-06141	08211-06141	08211-06141	08211-06141	08211-06141	08211-06141	WASHER, gear shift cam stop	1		
19	09440H11020	09440H11020	09440H11020	09440H11020	09440H11020	09440H11020	SPRING, gear shift cam stoppe	1		
20	09443H08044	09443H08044	09443H08044	09443H08044	09443H08044	09443H08044	SPRING, gear shift cam stoppe	1		
21	09223-04001	09223-04001	09223-04001	09223-04001	09223-04001	09223-04001	HOOK, gear shift shaft spring	1		
22	25351-30010	25351-30010	25351-30010	25351-30010	25351-30010	25351-30010	STOPPER, gear shift cam neut	1		
23	25381-45400	25381-45400	25381-45400	25381-45400	25381-45400	25381-45400	PLATE, gear shift cam stopper	1		
24	04221-04069	04221-04069	04221-04069	04221-04069	04221-04069	04221-04069	PIN, gear shift cam stopper pla	1		
25	09247-14026	09247-14026	09247-14026	09247-14026	09247-14026	09247-14026	PLUG, gear shift cam stopper	1		
26	09168H14003	09168H14003	09168H14003	09168H14003	09168H14003	09168H14003	WASHER, gear shift cam stop	1		
27	25510HG5101	25510HG5101	25510HG5101	25510HG5101	25510HG5101	25510HG5101	SHAFT COMP, gear shift	1		5

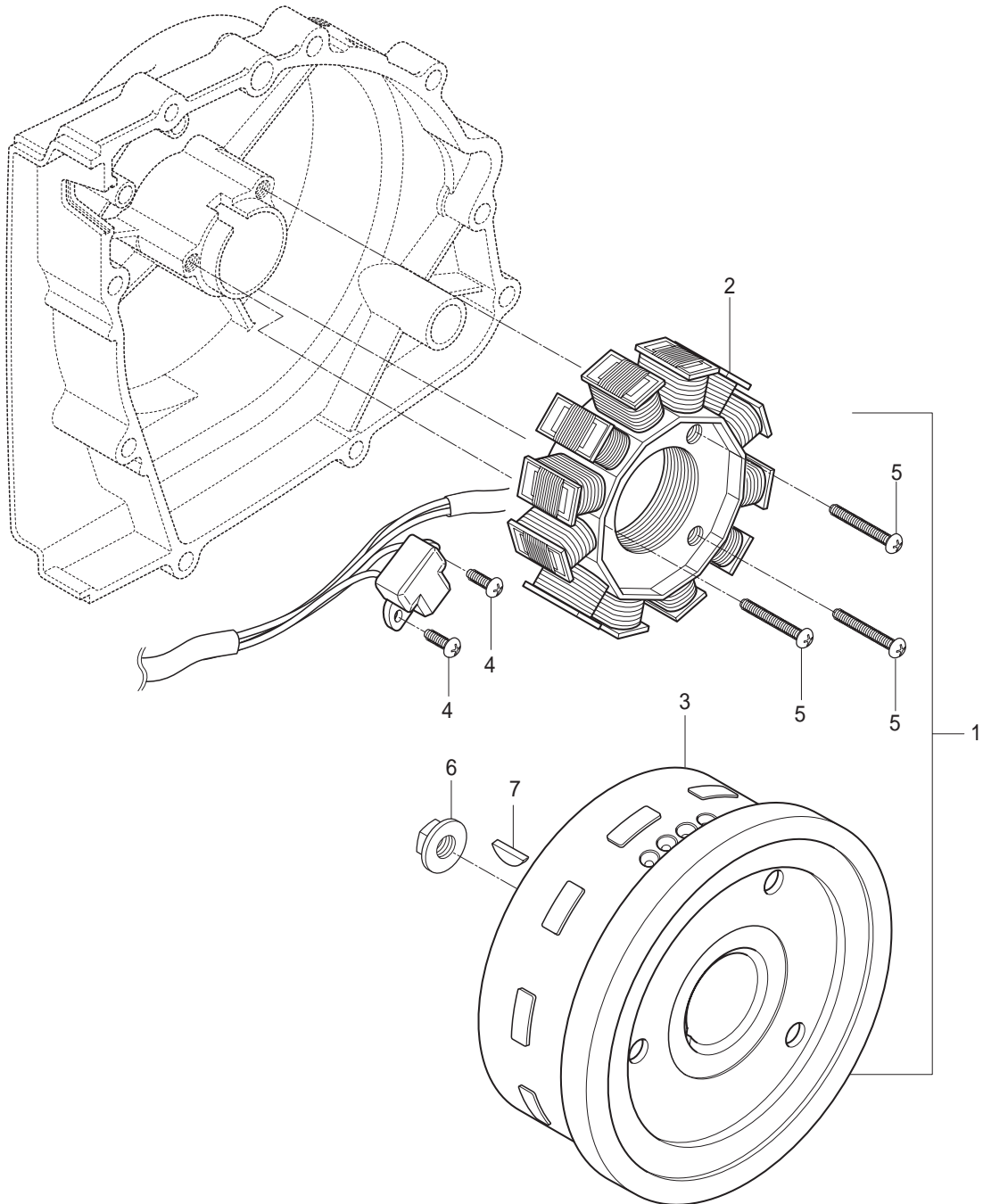
FIG 17



# FIG 17. STARTING MOTOR

REF. PARTS NO.							PARTS NAME	Q`TY	REMARKS	REC. Q'TY (PCS)
NO.	DOMESTIC	MAT01	MEN01	MEU01	MG01	NUS01				
1	31100HG5100	31100HG5100	31100HG5100	31100HG5100	31100HG5100	31100HG5100	MOTOR ASS`Y, starting	1		3
2	31310-11D00	31310-11D00	31310-11D00	31310-11D00	31310-11D00	31310-11D00	ARMATURE ASS`Y, starter	1		
3	31110HD6300	31110HD6300	31110HD6300	31110HD6300	31110HD6300	31110HD6300	YOKE ASS`Y, starter	1		
4	31150-42A01	31150-42A01	31150-42A01	31150-42A01	31150-42A01	31150-42A01	HOUSING ASS`Y, starter	1		
5	31175HG5100	31175HG5100	31175HG5100	31175HG5100	31175HG5100	31175HG5100	FRAME ASS`Y, commutator	1	NOT SALE	
6	31281-32C10	31281-32C10	31281-32C10	31281-32C10	31281-32C10	31281-32C10	BOLT, through	2		
7	31156-38300	31156-38300	31156-38300	31156-38300	31156-38300	31156-38300	O-RING	2		
8	09280-24003	09280-24003	09280-24003	09280-24003	09280-24003	09280-24003	O-RING	1		
9	31264-35C10	31264-35C10	31264-35C10	31264-35C10	31264-35C10	31264-35C10	O-RING	2		
10	31153-49210	31153-49210	31153-49210	31153-49210	31153-49210	31153-49210	SEAL, oil	1		
11	31361-32C00	31361-32C00	31361-32C00	31361-32C00	31361-32C00	31361-32C00	PLATE, lock	1		
12	31361-38300	31361-38300	31361-38300	31361-38300	31361-38300	31361-38300	WASHER, plate lock	1		
13	31361-10200	31361-10200	31361-10200	31361-10200	31361-10200	31361-10200	RING, shaft snap	1		
14	31132-32C10	31132-32C10	31132-32C10	31132-32C10	31132-32C10	31132-32C10	BRUSH SUB ASS`Y, starter	2		
15	31131-32C20	31131-32C20	31131-32C20	31131-32C20	31131-32C20	31131-32C20	BRUSH, starter	2		
16	31114-32C10	31114-32C10	31114-32C10	31114-32C10	31114-32C10	31114-32C10	SCREW	2		
17	31135-32C10	31135-32C10	31135-32C10	31135-32C10	31135-32C10	31135-32C10	SPRING, compression coil	4		
18	01547-06308	01547-06308	01547-06308	01547-06308	01547-06308	01547-06308	BOLT, starting motor(M6×30)	2		27

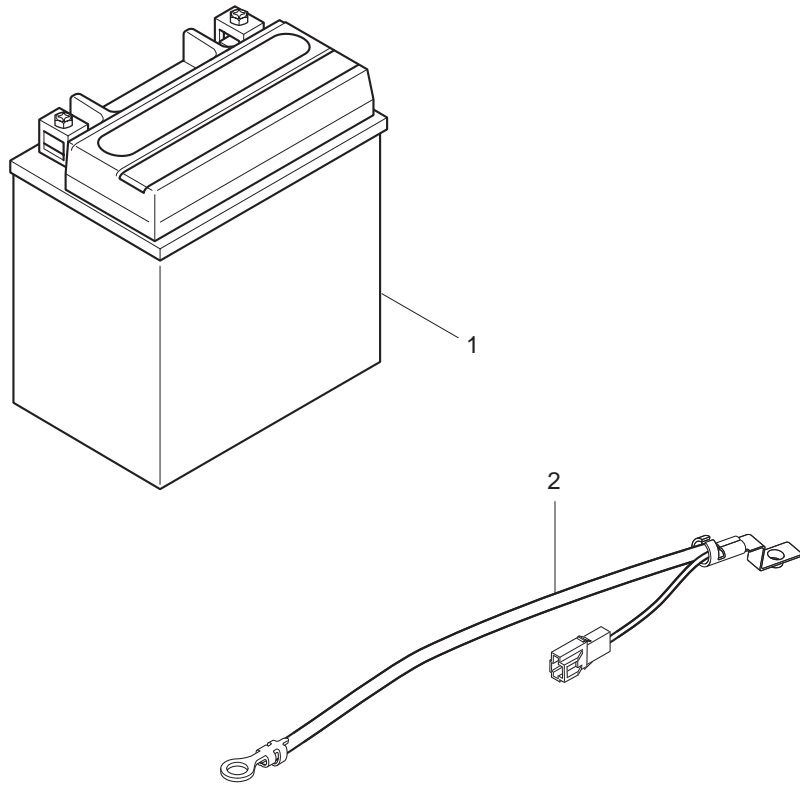
FIG 18



# FIG 18. MAGNETO ASS`Y

REF. PARTS NO.							PARTS NAME	Q`TY	REMARKS	REC. Q'TY (PCS)
NO.	DOMESTIC	MAT01	MEN01	MEU01	MG01	NUS01				
1	32100HJ8200	32100HJ8200	32100HJ8200	32100HJ8200	32100HJ8200	32100HJ8200	MAGNETO ASS`Y	1		5
2	32101HG5100	32101HG5100	32101HG5100	32101HG5100	32101HG5100	32101HG5100	STATOR ASS`Y	1		
3	32102HJ8200	32102HJ8200	32102HJ8200	32102HJ8200	32102HJ8200	32102HJ8200	ROTOR, fly wheel	1		
4	02112-05128	02112-05128	02112-05128	02112-05128	02112-05128	02112-05128	SCREW, pick-up coil(M5X12)	2		
5	02112-05258	02112-05258	02112-05258	02112-05258	02112-05258	02112-05258	SCREW, magneto stato(M5X2)	3		
6	08316-26128	08316-26128	08316-26128	08316-26128	08316-26128	08316-26128	NUT, magneto fly wheel(M12)	1		5
7	08341-31049	08341-31049	08341-31049	08341-31049	08341-31049	08341-31049	KEY, magneto	1		

FIG 19

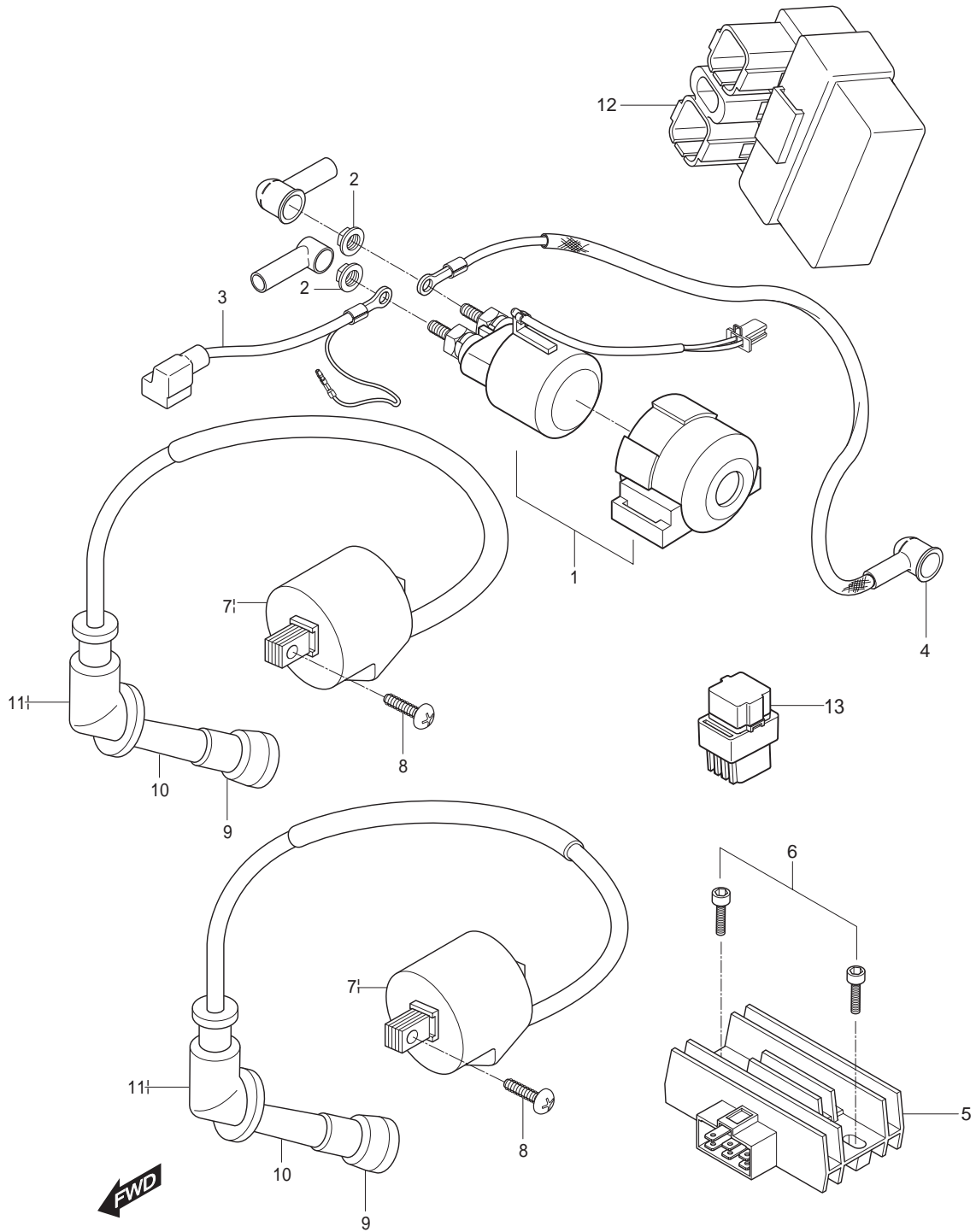


# FIG 19. BATTERY

REF. PARTS NO.							PARTS NAME	Q`TY	REMARKS	REC. Q'TY (PCS)
NO.	DOMESTIC	MAT01	MEN01	MEU01	MG01	NUS01				
1	33610HM8100	33610HM8100	33610HM8100	33610HM8100	33610HM8100	33610HM8100	BATTERY ASS'Y(12V 12Ah.	1		
2	33860HM8101	33860HM8101	33860HM8101	33860HM8101	33860HM8101	33860HM8101	LEAD WIRE, battery minus(-)	1		



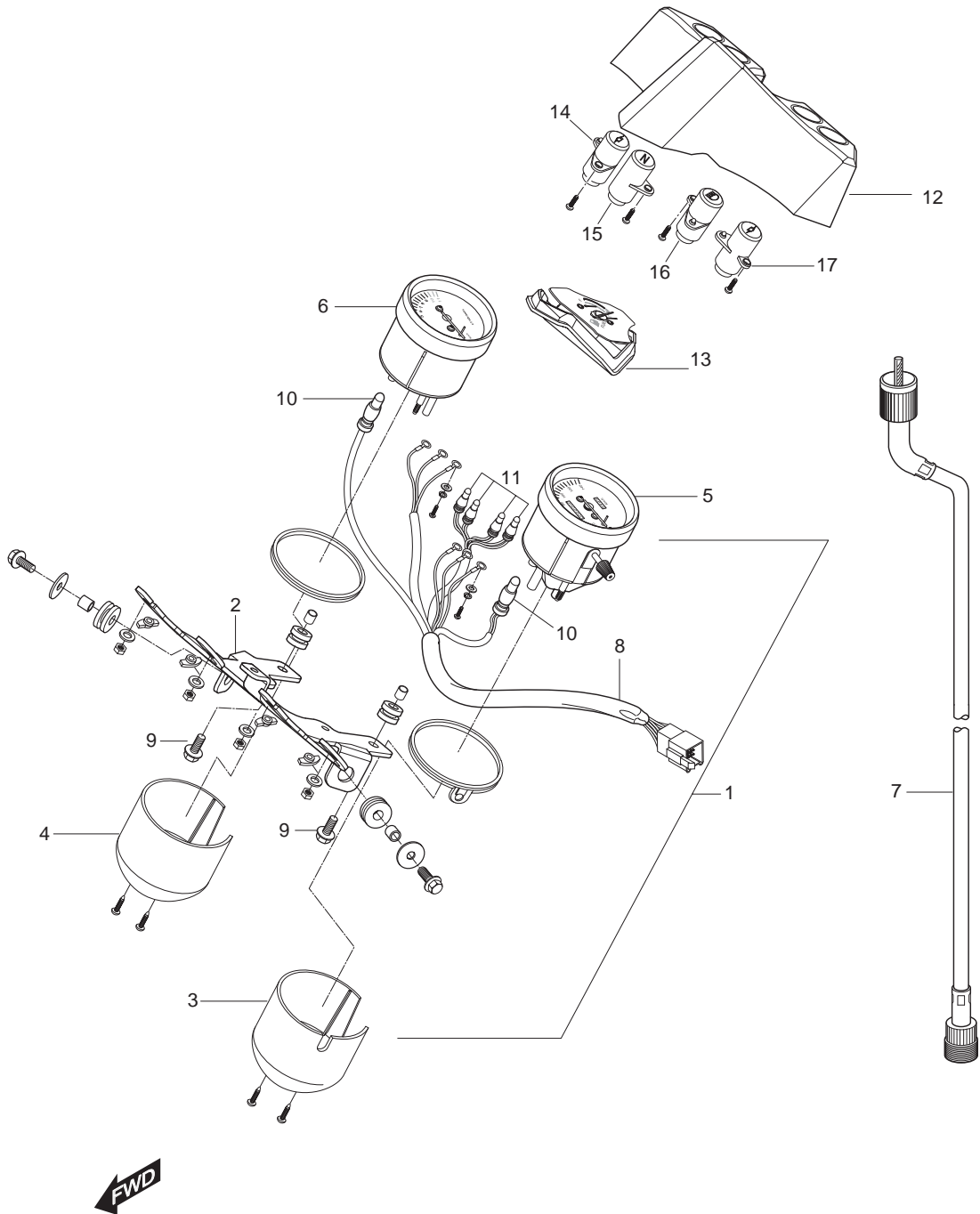
FIG 20



# FIG 20. ELECTRICAL

REF. PARTS NO.							PARTS NAME	Q`TY	REMARKS	REC. Q'TY (PCS)
NO.	DOMESTIC	MAT01	MEN01	MEU01	MG01	NUS01				
1	31800HG5100	31800HG5100	31800HG5100	31800HG5100	31800HG5100	31800HG5100	RELAY ASS`Y, starting motor	1		10
2	08316-26066	08316-26066	08316-26066	08316-26066	08316-26066	08316-26066	NUT, starter motor relay termi	2		
3	33840HM8101	33840HM8101	33840HM8101	33840HM8101	33840HM8101	33840HM8101	LEAD WIRE, battery plus(+)	1		
4	33850HM8100	33850HM8100	33850HM8100	33850HM8100	33850HM8100	33850HM8100	LEAD WIRE, starter motor	1		
5	32800H01413	32800H01413	32800H01413	32800H01413	32800H01413	32800H01413	RECTIFIER regulator ASS`Y	1		10
6	07110-06208	07110-06208	07110-06208	07110-06208	07110-06208	07110-06208	BOLT, rectifier	2		
7	33410HM8100	33410HM8100	33410HM8100	33410HM8100	33410HM8100	33410HM8100	COIL ASS`Y, ignition	2		10
8	09128H06006	09128H06006	09128H06006	09128H06006	09128H06006	09128H06006	BOLT, ignition coil(M6× 20)	2		
9	33541-23E01	33541-23E01	33541-23E01	33541-23E01	33541-23E01	33541-23E01	SEAL, spark plug	2		
10	33510-05C01	33510-05C01	33510-05C01	33510-05C01	33510-05C01	33510-05C01	CAP, spark plug	2		10
11	33542-24D00	33542-24D00	33542-24D00	33542-24D00	33542-24D00	33542-24D00	SEAL, high tention cord	2		
12	32900HM8102	32900HM8150	32900HM8150	32900HM8150	32900HM8150	32900HM8102	CDI UNIT	1	~ KM4MJ51B441101226	10
12-1		32900HM8152	32900HM8152	32900HM8152	32900HM8152		CDI UNIT	1	KM4MJ51B441101227 ~	10
12-2	32900HM8153	32900HM8153	32900HM8153	32900HM8153	32900HM8153	32900HM8153	CDI UNIT	1	KM4MJ51B951103444~	10
13	38740HM5401	38740HJ8200	38740HJ8200	38740HJ8200	38740HJ8200	38740HM5401	RELAY ASS`Y, fuel pump	1		

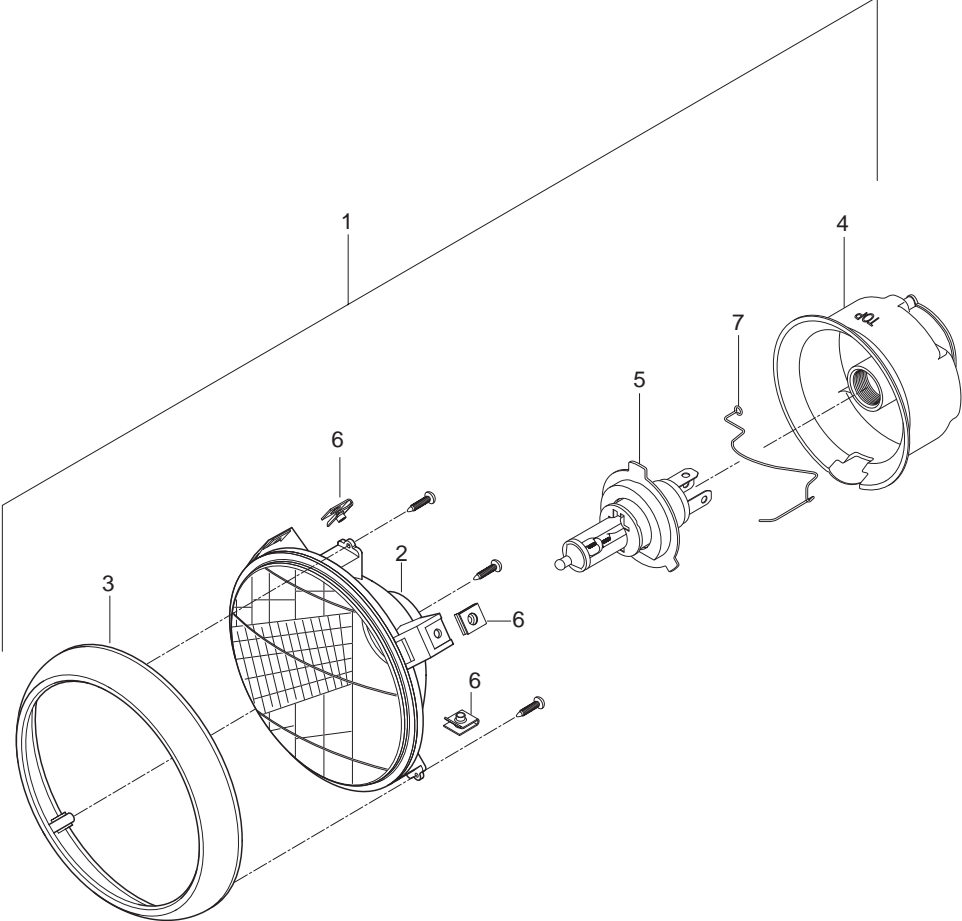
FIG 21



## FIG 21. SPEEDOMETER ASS`Y

REF. PARTS NO.							PARTS NAME	Q`TY	REMARKS	REC. Q'TY (PCS)
NO.	DOMESTIC	MAT01	MEN01	MEU01	MG01	NUS01				
1	34100HM8100	34100HM81600	34100HM8150	34100HM8150	34100HM8150	34100HM8171	SPEEDOMETER ASS`Y	1		4
2	34950HM8100	34950HM8100	34950HM8100	34950HM8100	34950HM8100	34950HM8100	BRACKET	1		
3	34105HM8100	34105HM8100	34105HM8100	34105HM8100	34105HM8100	34105HM8100	LOWER CASE, speedometer	1		
4	34106HM8100	34106HM8100	34106HM8100	34106HM8100	34106HM8100	34106HM8100	LOWER CASE, tachometer	1		
5	34110HM8100	34110HM8100	34110HM8100	34110HM8100	34110HM8100	34110HM8100	SPEEDOMETER	1		
6	34120HM8100	34120HM8100	34120HM8100	34120HM8100	34120HM8100	34120HM8100	TACHOMETER	1		
7	34910H93B00	34910H93B00	34910H93B00	34910H93B00	34910H93B00	34910H93B00	CABLE ASS`Y, speedometer	1		10
8	34171HM8102	34171HM8102	34171HM8102	34171HM8102	34171HM8102	34171HM8102	WIRING ASS`Y, speedometer	1		
9	09116-06010	09116-06010	09116-06010	09116-06010	09116-06010	09116-06010	BOLT, speedometer bracket	2		
10	09471-12128	09471-12128	09471-12128	09471-12128	09471-12128	09471-12128	BULB(12V 1.7W) T10	2		
11	09471-12072	09471-12072	09471-12072	09471-12072	09471-12072	09471-12072	BULB(12V 1.7W T6.5)	4		
12	39110HM8100	39110HM8100	39110HM8100	39110HM8100	39110HM8100	39110HM8100	INDICATOR LAMP, upper	1		
13	34136HM8100	34136HM8100	34136HM8100	34136HM8100	34136HM8100	34136HM8100	COVER, fuel meter	1	NOT SALE	
14	34171HM8100	34171HM8100	34171HM8100	34171HM8100	34171HM8100	34171HM8100	LAMP ASS`Y, turn R	1	NOT SALE	
15	34140HM8100	34140HM8100	34140HM8100	34140HM8100	34140HM8100	34140HM8100	LAMP ASS`Y, neutral	1	NOT SALE	
16	34174HM8100	34174HM8100	34174HM8100	34174HM8100	34174HM8100	34174HM8100	LAMP ASS`Y, high beam	1	NOT SALE	
17	34172HM8100	34172HM8100	34172HM8100	34172HM8100	34172HM8100	34172HM8100	LAMP ASS`Y, turn L	1	NOT SALE	

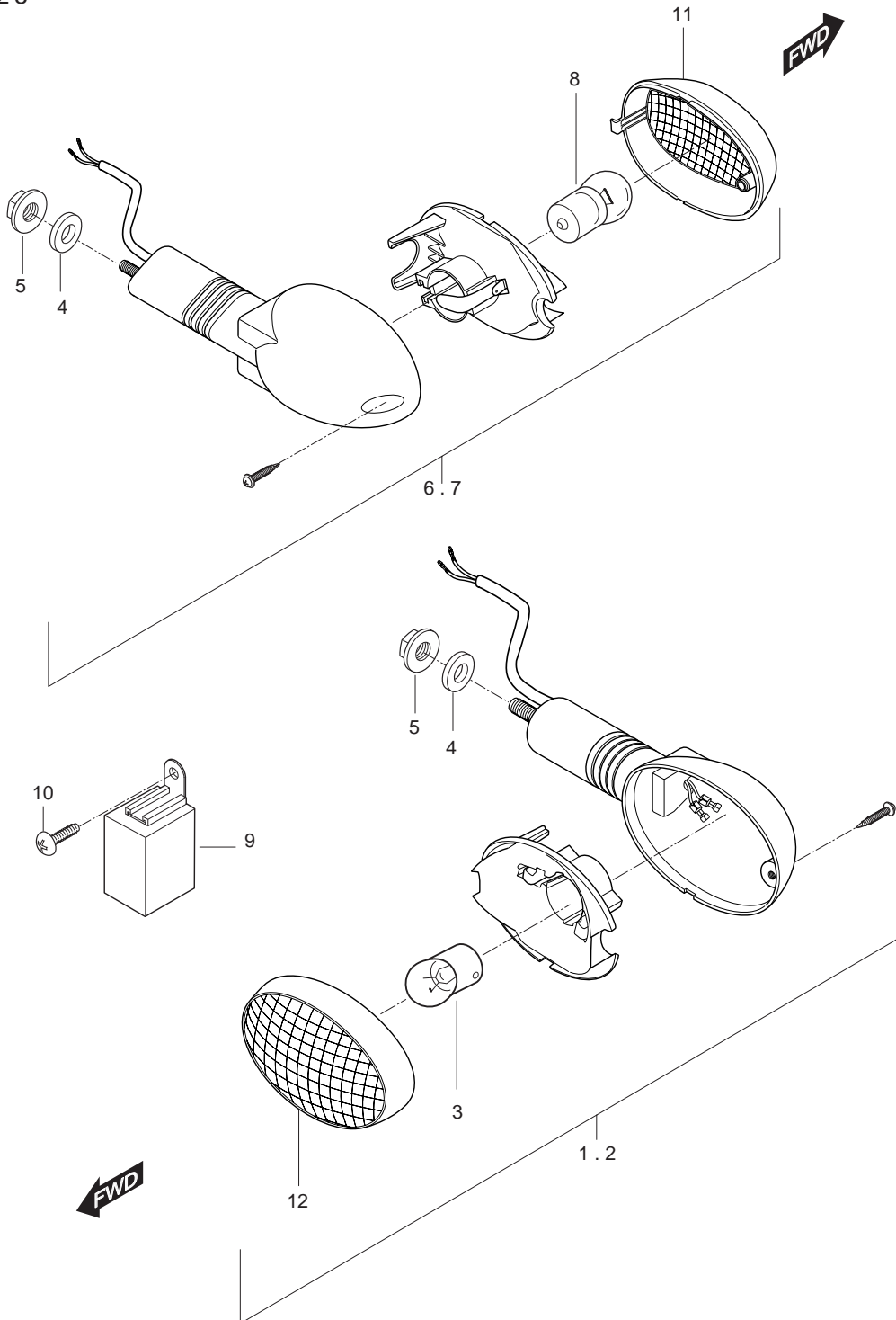
FIG 22



## FIG 22. HEAD LAMP

REF. PARTS NO.							PARTS NAME	Q'TY	REMARKS	REC. Q'TY (PCS)
NO.	DOMESTIC	MAT01	MEN01	MEU01	MG01	NUS01				
1	35100HM8102	35100HM8161	35100HM8161	35100HM8152	35100HM8152	35100HM8170	HEAD LAMP ASS'Y	1	~ KM4MJ51B741101267	5
1~1		35100HM8161	35100HM8161			35100HM8171	HEAD LAMP ASS'Y	1	KM4MJ51B741101268 ~	5
2	35120HM8100	35120HM8160	35120HM8160	35120HM8150	35120HM8150	35120HM8170	REFLECTOR, head lamp	1		
3	35111HM8100	35111HM8100	35111HM8100	35111HM8100	35111HM8100	35111HM8100	RIM, head lamp	1		
4	35173HM8100	35173HM8100	35173HM8100	35173HM8100	35173HM8100	35173HM8100	DUST COVER	1		
5	09471H12103	09471H12103	09471H12103	09471H12103	09471H12103	09471H12103	BULB, head lamp(12v H4 60/5	1		
6	09148-05039	09148-05039	09148-05039	09148-05039	09148-05039	09148-05039	NUT, head lamp(M5)	3		
7	35175H93B00	35175H93B00	35175H93B00	35175H93B00	35175H93B00	35175H93B00	SPRING, bulb socket	1		

FIG 23

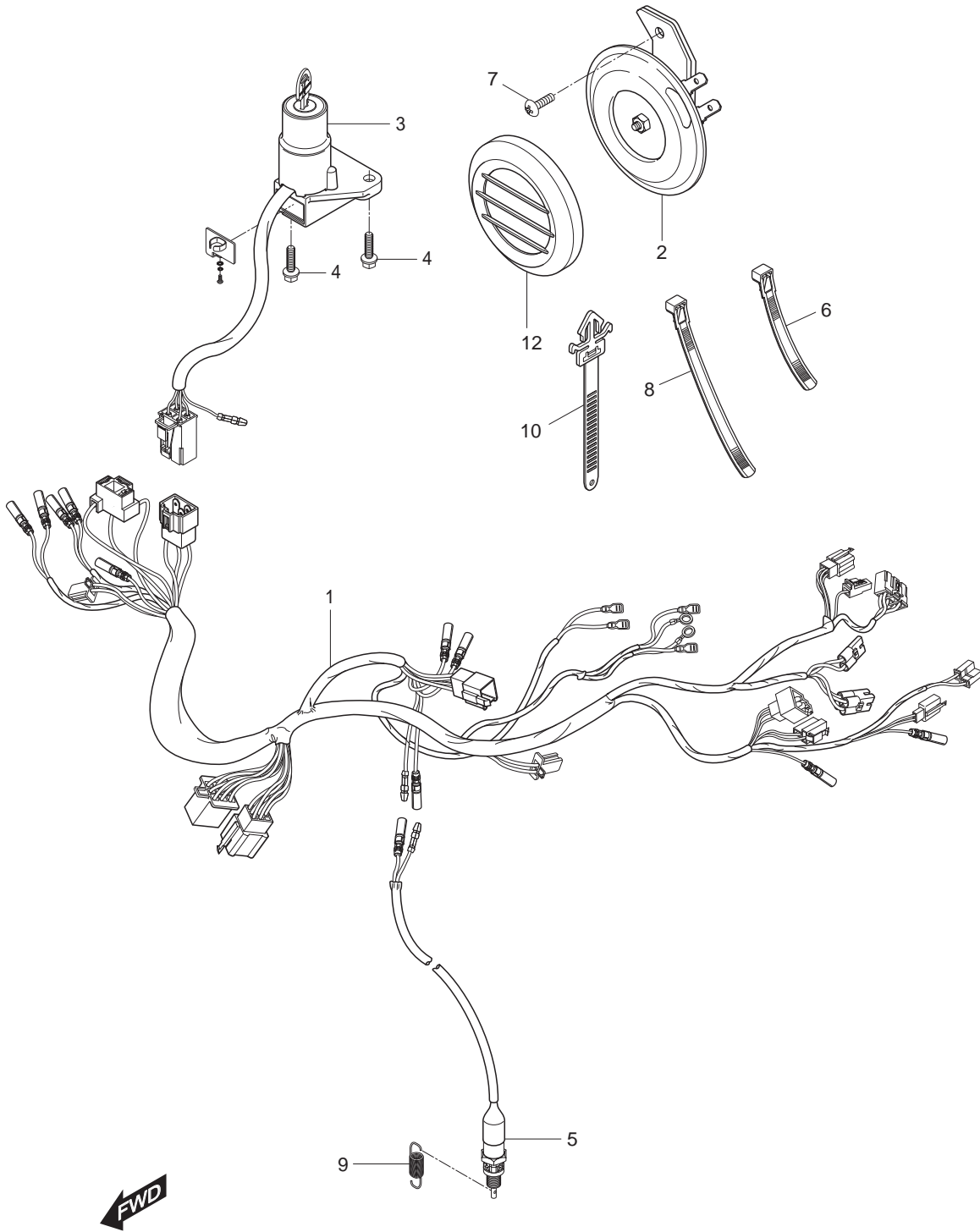


# FIG 23. FRONT TURNSIGNAL LAMP

REF. PARTS NO.							PARTS NAME	Q'TY	REMARKS	REC. Q'TY
NO.	DOMESTIC	MAT01	MEN01	MEU01	MG01	NUS01			(PCS)	
1	35601HM8101	35601HM8151	35601HM8151	35601HM8151	35601HM8151	35601HM8151	LAMP ASS'Y, FT turnsignal F	1	10	
2	35602HM8101	35602HM8151	35602HM8151	35602HM8151	35602HM8151	35602HM8152	LAMP ASS'Y, FT turnsignal L	1	10	
3	09471-12142	09471-12142	09471-12142	09471-12142	09471-12142	09471-12142	BULB, FT turnsignal lamp(12V	2		
4	09160-06019	09160-06019	09160-06019	09160-06019	09160-06019	09160-06019	WASHER, FT turnsignal lamp	4		
5	08316-26066	08316-26066	08316-26066	08316-26066	08316-26066	08316-26066	NUT, FT turnsignal lamp	4		
6	35603HM8101	35603HM8151	35603HM8151	35603HM8151	35603HM8151	35603HM8151	LAMP ASS'Y, RR turnsignal I	1	10	
7	35604HM8101	35604HM8151	35604HM8151	35604HM8151	35604HM8151	35604HM8151	LAMP ASS'Y, RR turnsignal I	1	10	
8	09471-12142	09471-12142	09471-12142	09471-12142	09471-12142	09471-12142	BULB, RR turnsignal lamp(12V	2		
9	38610HL7300	38610HL7300	38610HL7300	38610HL7300	38610HL7300	38610HL7300	RELAY ASS'Y, turnsignal	1		
10	01517-06206	01517-06206	01517-06206	01517-06206	01517-06206	01517-06206	BOLT, turnsignal, relay	1		
11	35612HM8100	35612HM8100	35612HM8100	35612HM8100	35612HM8100	35612HM8100	LENS, FT turnsignal R	2	40	
12	35632HM8100	35632HM8100	35632HM8100	35632HM8100	35632HM8100	35632HM8100	LENS, FT turnsignal L	2	40	



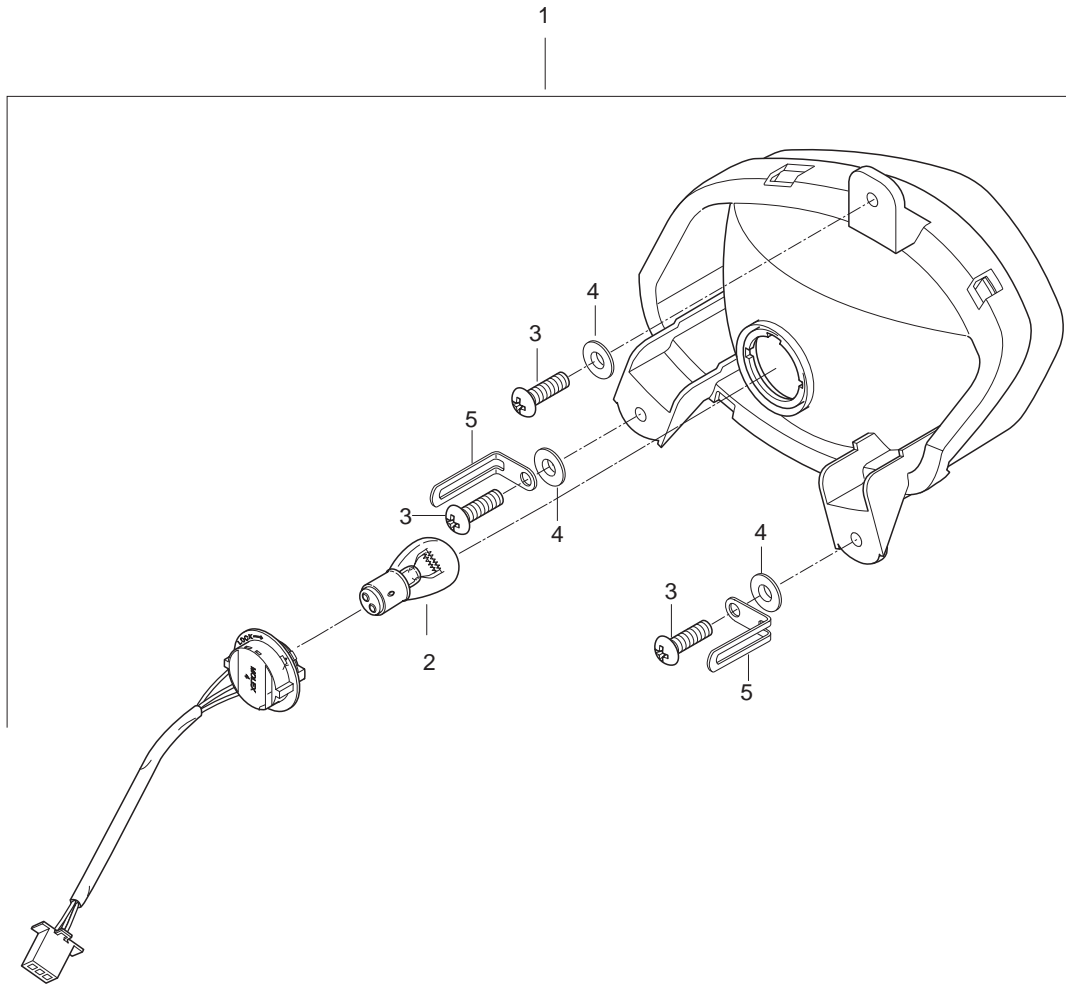
FIG 24



# FIG 24. WIRING HARNESS

REF. PARTS NO.							PARTS NAME	Q'TY	REMARKS	REC. Q'TY
NO.	DOMESTIC	MAT01	MEN01	MEU01	MG01	NUS01			(PCS)	
1	36610HM8103	36610HM8151	36610HM8151	36610HM8151	36610HM8151	36610HM8160	HARNESS, wiring	1	~KM4MJ51B441100562	5
1~1		36610HM7950	36610HM7950	36610HM7950	36610HM7950		HARNESS, wiring	1	KM4MJ51B441100563~	5
1~2	36610HM8104	36610HM7951	36610HM7951	36610HM7951	36610HM7951		HARNESS, wiring	1	KM4MJ51B951103444~	5
2	38500HM8101	38500HM8101	38500HM8101	38500HM8101	38500HM8101	38500HM8101	HORN ASS'Y	1		10
3	37000HM8130	37000HM8130	37000HM8130	37000HM8130	37000HM8130	37000HM8130	LOCK ASS'Y, steering	1		5
4	01517-06168	01517-06168	01517-06168	01517-06168	01517-06168	01517-06168	BOLT, steering lock	2		
4-1		09139H06016	09139H06016	09139H06016	09139H06016	09139H06016	BOLT, steering lock	1		
5	37740H04512	37740H04512	37740H04512	37740H04512	37740H04512	37740H04512	SWITCH ASS'Y, brake lamp	1		
6	09407-14403	09407-14403	09407-14403	09407-14403	09407-14403	09407-14403	CLAMP, wiring harness	8		
7	02112-46168	02112-46168	02112-46168	02112-46168	02112-46168	02112-46168	SCREW, horn	1		
8	09407-22402	09407-22402	09407-22402	09407-22402	09407-22402	09407-22402	CLAMP, wiring harness	2		
9	09443H06006	09443H06006	09443H06006	09443H06006	09443H06006	09443H06006	SPRING	1		
10	09407-14408	09407-14408	09407-14408	09407-14408	09407-14408	09407-14408	CLAMP, wiring harness	5		
11	41495HN9101	41495HN9101	41495HN9101	41495HN9101	41495HN9101	41495HN9101	GUIDE CLAMP, horn		NEWLY	

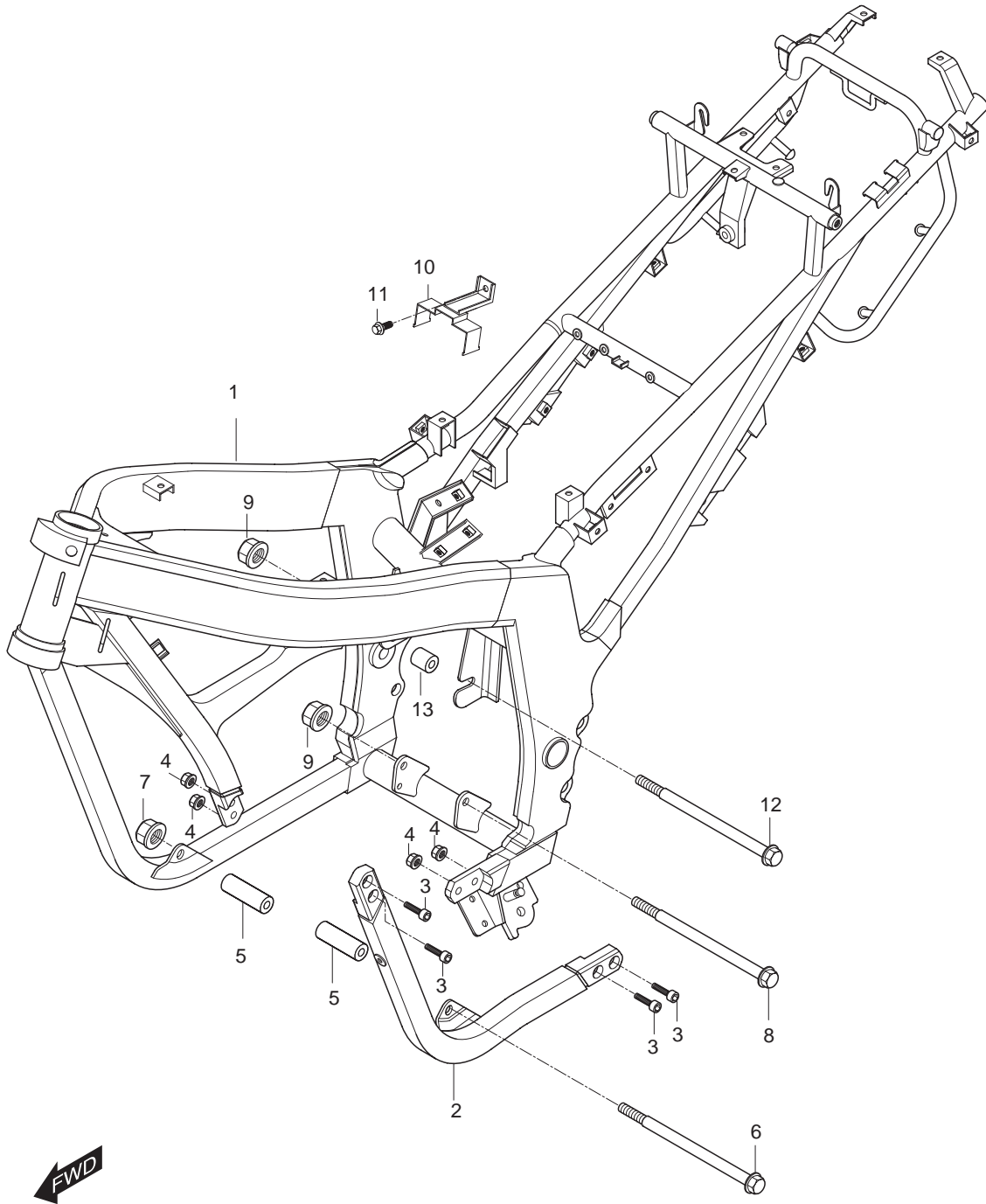
FIG 25



## FIG 25. REAR COMBINATION

REF. PARTS NO.							PARTS NAME	Q'TY	REMARKS	REC. Q'TY
NO.	DOMESTIC	MAT01	MEN01	MEU01	MG01	NUS01			(PCS)	
1	35710HM8100	35710HM8150	35710HM8151	35710HM8151	35710HM8151	35710HM8151	LAMP ASS'Y, tail & stop	1	~KM4MJ51B441101226	10
1~1			35710HM8152	35710HM8152	35710HM8152	35710HM8152	LAMP ASS'Y, tail & stop	1	KM4MJ51B441101227~	10
2	09471-12047	09471-12047	09471-12047	09471-12047	09471-12047	09471-12046	BULB, tail & stop(12V 21/5W)	1		
3	03241-05166	03241-05166	03241-05166	03241-05166	03241-05166	03241-05166	SCREW, tail & stop	3		
4	09160-05017	09160-05017	09160-05017	09160-05017	09160-05017	09160-05017	WASHER, tail & stop	3		
5	09404-06401	09404-06401	09404-06401	09404-06401	09404-06401	09404-06401	CLAMP, tail & stop	2		

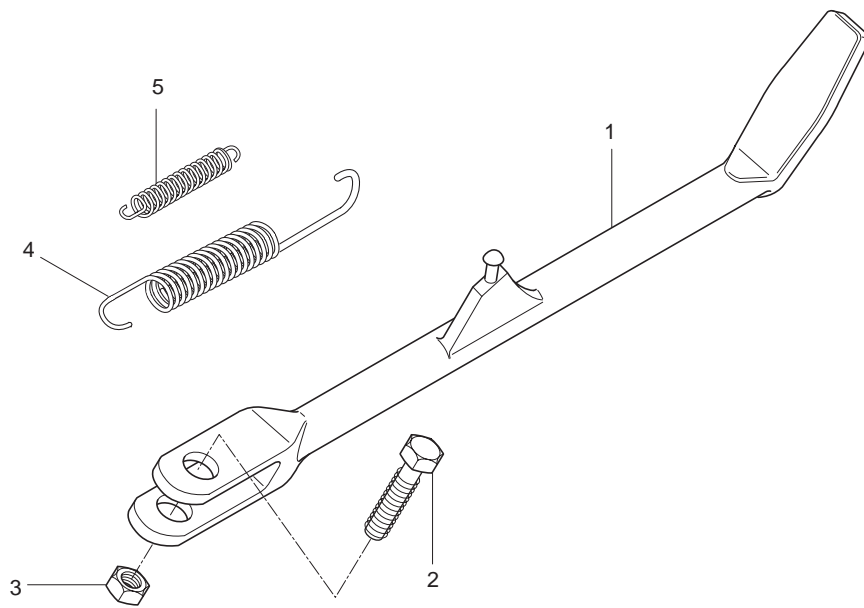
FIG 26



# FIG 26. FRAME

REF. PARTS NO.							PARTS NAME	Q'TY	REMARKS	REC. Q'TY
NO.	DOMESTIC	MAT01	MEN01	MEU01	MG01	NUS01			(PCS)	
1	41100HM811303P	41100HM811303P	41100HM815203P	41100HM815203P	41100HM815203P	41100HM818003P	FRAME COMP	1	1	
2	41151HM810103P	41151HM810103P	41151HM810103P	41151HM810103P	41151HM810103P	41151HM810103P	TUBE COMP, frame down L	1	5	
3	07110-08258	07110-08258	07110-08258	07110-08258	07110-08258	07110-08258	BOLT, frame joint	4		
4	08316-16088	08316-16088	08316-16088	08316-16088	08316-16088	08316-16088	NUT, frame joint	4		
5	41161HM8100	41161HM8100	41161HM8100	41161HM8100	41161HM8100	41161HM8100	SPACER, frame & engine fron	2		
6	09103H10099	09103H10099	09103H10099	09103H10099	09103H10099	09103H10099	BOLT, frame & engine frontL=	1		
7	08319-31106	08319-31106	08319-31106	08319-31106	08319-31106	08319-31106	NUT, frame & engine front	1		
8	09103H10022	09103H10022	09103H10022	09103H10022	09103H10022	09103H10022	BOLT, frame & engine rear lov	1		
9	08319-31106	08319-31106	08319-31106	08319-31106	08319-31106	08319-31106	NUT, frame & engine rear	1		
10	41320HM8100	41320HM8100	41320HM8100	41320HM8100	41320HM8100	41320HM8100	PLATE COMP, C D I	1		
11	01517-06206	01517-06206	01517-06206	01517-06206	01517-06206	01517-06206	BOLT, C D I plate	1		
12	09103H10153	09103H10153	09103H10153	09103H10153	09103H10153	09103H10153	BOLT, frame & engine rear up	1		
13	41171HM8100	41171HM8100	41171HM8100	41171HM8100	41171HM8100	41171HM8100	SPACER, frame & engine rear	1		

FIG 27

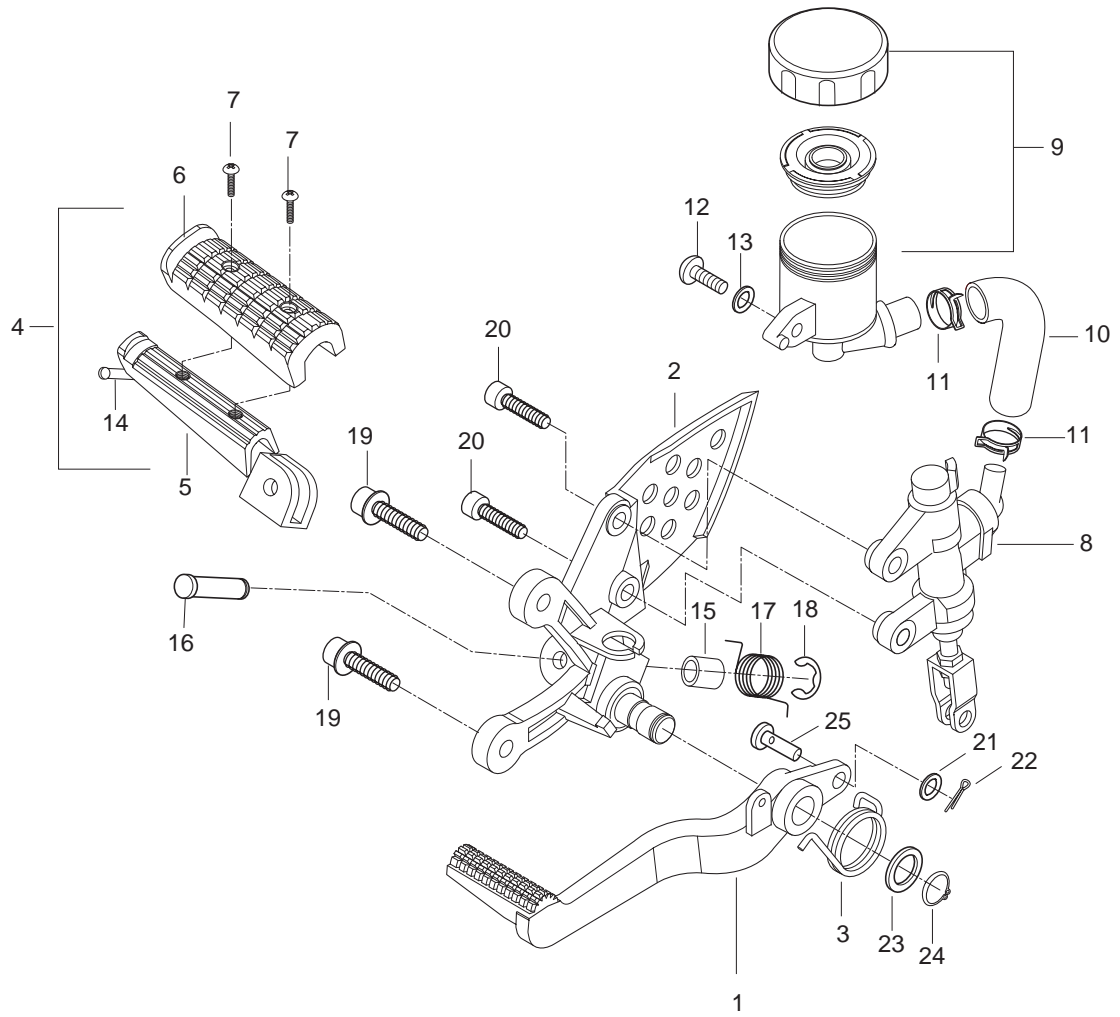


# FIG 27. PROP STAND

REF. PARTS NO.							PARTS NAME	Q'TY	REMARKS	REC. Q'TY (PCS)
NO.	DOMESTIC	MAT01	MEN01	MEU01	MG01	NUS01				
1	42310HM910003P	42310HM910003P	42310HM910003P	42310HM910003P	42310HM910003P	42310HM910003P	STAND COMP, PROP	1		5
1~1			42310HN9150120	42310HN9150120	42310HN9150120	42310HN9150120	STAND COMP, PROP	1	KM4MJ51B261103612~	5
2	09100-10031	09100-10031	09100-10031	09100-10031	09100-10031	09100-10031	BOLT, prop stand(M10×30)	1		
3	08310-22106	08310-22106	08310-22106	08310-22106	08310-22106	08310-22106	NUT, prop stand(M10)	1		
4	09443-15047	09443-15047	09443-15047	09443-15047	09443-15047	09443-15047	SPRING, prop stand	1		
5	09443-06001	09443-06001	09443-06001	09443-06001	09443-06001	09443-06001	SHIM, prop stand	1		



FIG 28

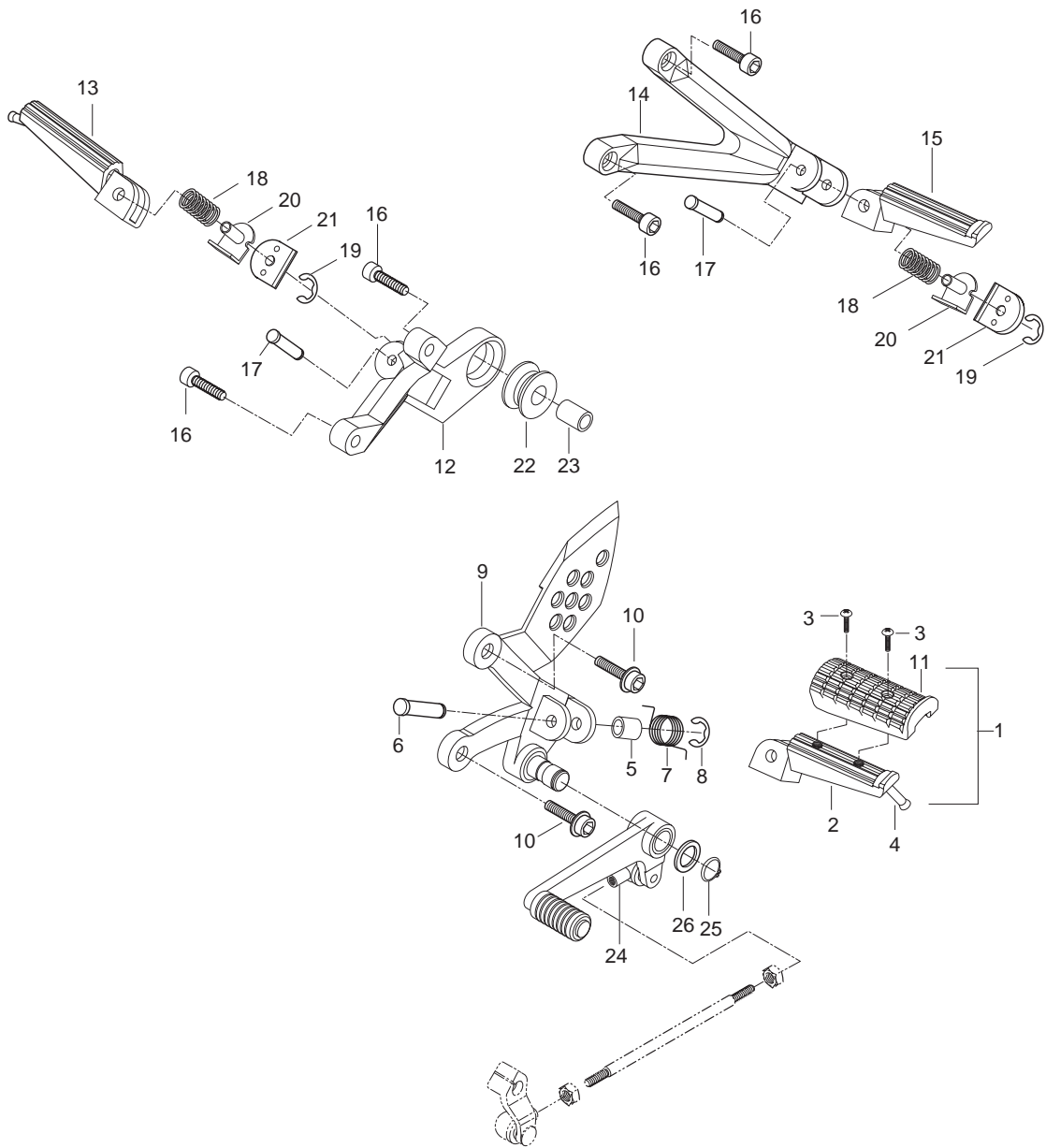


FWD

# FIG 28. REAR BRAKE

REF. PARTS NO.							PARTS NAME	Q'TY	REMARKS	REC. Q'TY (PCS)
NO.	DOMESTIC	MAT01	MEN01	MEU01	MG01	NUS01				
1	43110HM810003P	43110HM810003P	43110HM810003P	43110HM810003P	43110HM810003P	43110HM810003P	PEDAL COMP, brake	1		5
2	43530HM810503P	43530HM810503P	43530HM810503P	43530HM810503P	43530HM810503P	43530HM810503P	BRACKET COMP, front footrest	1		10
2~1	43530HM810603P	43530HM810603P	43530HM810603P	43530HM810603P	43530HM810603P	43530HM810603P	BRACKET COMP, front footrest	1	KM4MJ51B651102638 ~	10
3	09448H30002	09448H30002	09448H30002	09448H30002	09448H30002	09448H30002	SPRING, brake pedal return	1		
4	43560HM8100	43560HM8100	43560HM8100	43560HM8100	43560HM8100	43560HM8100	FOOTREST ASS'Y, front R	1		10
5	43561HM8100	43561HM8100	43561HM8100	43561HM8100	43561HM8100	43561HM8100	FOOTREST, bar front R	1		
6	43530H30A40	43530H30A40	43530H30A40	43530H30A40	43530H30A40	43530H30A40	RUBBER COMP, front footrest	1		
7	02112-05126	02112-05126	02112-05126	02112-05126	02112-05126	02112-05126	SCREW, front footrest	2		
8	69609HN9100	69609HN9100	69609HN9100	69609HN9100	69609HN9100	69609HN9100	CYLINDER ASS'Y, rear master	1		
9	69740HM8100	69740HM8100	69740HM8100	69740HM8100	69740HM8100	69740HM8100	TANK ASS'Y, reserver	1		
10	69700HM8101	69700HM8101	69700HM8101	69700HM8101	69700HM8101	69700HM8101	HOSE ASS'Y, reserver tank	1		
11	09400H13001	09400H13001	09400H13001	09400H13001	09400H13001	09400H13001	CLMAP, reserver tank hose	2		
12	01517-06168	01517-06168	01517-06168	01517-06168	01517-06168	01517-06168	BOLT, reserver tank	1		
13	09160-06019	09160-06019	09160-06019	09160-06019	09160-06019	09160-06019	WASHER, reserver tank	1		
14	43533H30A40	43533H30A40	43533H30A40	43533H30A40	43533H30A40	43533H30A40	BOLT, reserver tank	1	NOT SALE	
15	09180H08008	09180H08008	09180H08008	09180H08008	09180H08008	09180H08008	SPACER, front footrest	1		
16	43579HM8101	43579HM8101	43579HM8101	43579HM8101	43579HM8101	43579HM8101	PIN, front footrest	1		20
17	09448H14007	09448H14007	09448H14007	09448H14007	09448H14007	09448H14007	SPRING, front footrest	1		
18	08322-11079	08322-11079	08322-11079	08322-11079	08322-11079	08322-11079	E-RING, front footrest	1		
19	07120-08258	07120-08258	07120-08258	07120-08258	07120-08258	07120-08258	BOLT, front footrest bracket	2		
20	07120-08258	07120-08258	07120-08258	07120-08258	07120-08258	07120-08258	BOLT, master cylinder	2		
21	08332-21068	08332-21068	08332-21068	08332-21068	08332-21068	08332-21068	WASHER, rear master cylinder	1		
22	04111-20208	04111-20208	04111-20208	04111-20208	04111-20208	04111-20208	COTTER PIN, rear master cylinder	1		
23	09160H15002	09160H15002	09160H15002	09160H15002	09160H15002	09160H15002	WASHER, brake pedal	1		
24	08331-31159	08331-31159	08331-31159	08331-31159	08331-31159	08331-31159	CIRCLIP, brake pedal	1		
25	09200H06040	09200H06040	09200H06040	09200H06040	09200H06040	09200H06040	PIN, rear master cylinder	1		

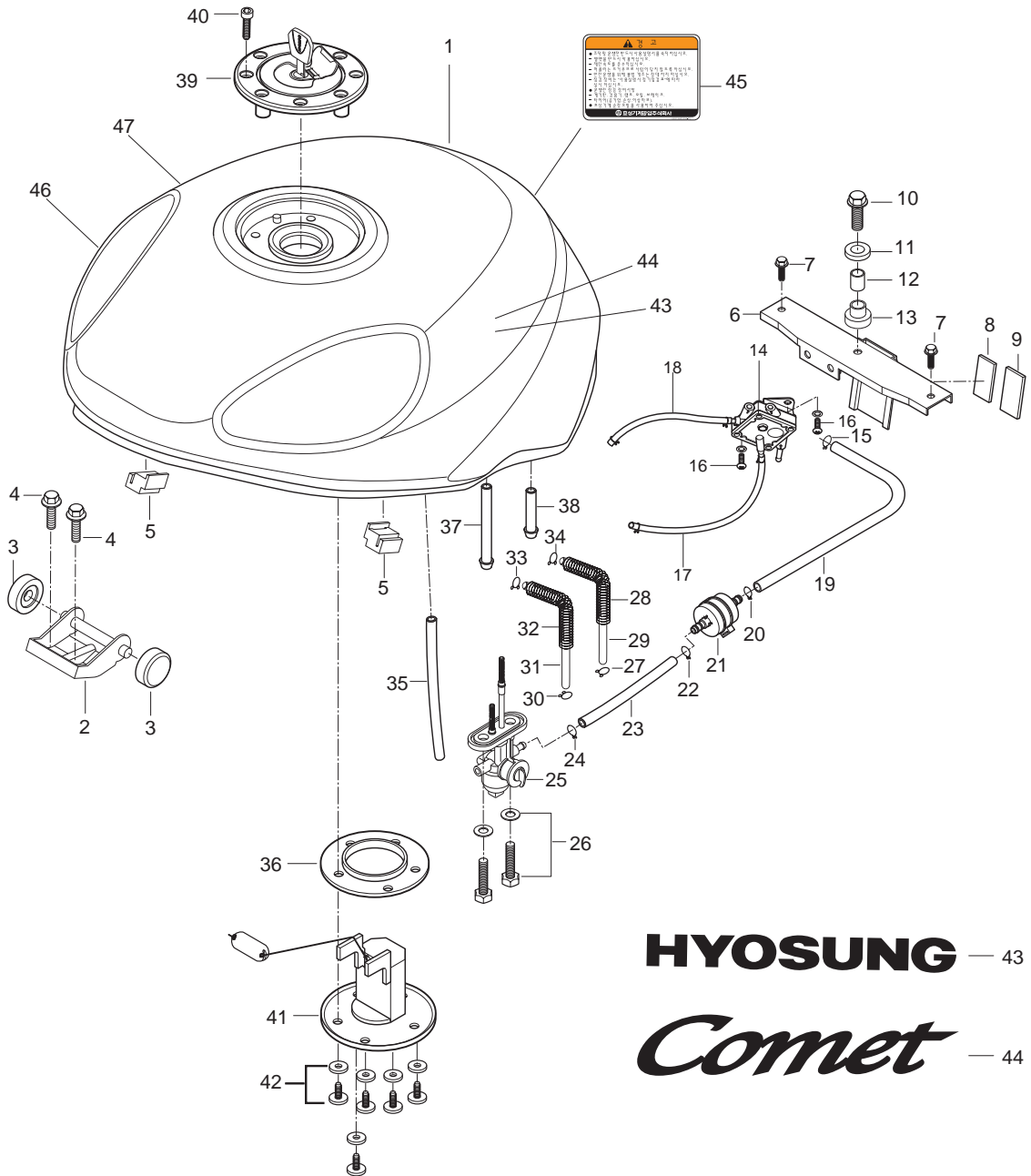
FIG 29



# FIG 29. FOOTREST

REF. PARTS NO.							PARTS NAME	Q'TY	REMARKS	REC. Q'TY
NO.	DOMESTIC	MAT01	MEN01	MEU01	MG01	NUS01			(PCS)	
1	43570HM8100	43570HM8100	43570HM8100	43570HM8100	43570HM8100	43570HM8100	FOOTREST ASS;BY, front L	1		10
2	43571HM8102	43571HM8102	43571HM8102	43571HM8102	43571HM8102	43571HM8102	FOOTREST BAR, front L	1		
3	02112-05126	02112-05126	02112-05126	02112-05126	02112-05126	02112-05126	SCREW, front footrest	2		
4	43533H30A40	43533H30A40	43533H30A40	43533H30A40	43533H30A40	43533H30A40	BOLT, front footrest bar	1	NOT SALE	
5	09180H08008	09180H08008	09180H08008	09180H08008	09180H08008	09180H08008	SPACER, front footrest	1		
6	43579HM8101	43579HM8101	43579HM8101	43579HM8101	43579HM8101	43579HM8101	PIN, front footrest bar	1		
7	09448H14007	09448H14007	09448H14007	09448H14007	09448H14007	09448H14007	SPRING, front footrest	1		
8	08322-11079	08322-11079	08322-11079	08322-11079	08322-11079	08322-11079	E-RING, front footrest	1		
9	43540HM810303P	43540HM810303P	43540HM810303P	43540HM810303P	43540HM810303P	43540HM810303P	BRACKET COMP, front footrest	1		10
9~1	43540HN910103P	43540HN910103P	43540HN910103P	43540HN910103P	43540HN910103P	43540HN910103P	BRACKET COMP, front footrest	1	KM4MJ51B651102638 ~	10
10	07120-08258	07120-08258	07120-08258	07120-08258	07120-08258	07120-08258	BOLT, front footrest bracket	2		
11	43532H30A40	43532H30A40	43532H30A40	43532H30A40	43532H30A40	43532H30A40	RUBBER, front footrest	1		
12	43621HM810203P	43621HM810203P	43621HM810203P	43621HM810203P	43621HM810203P	43621HM810203P	BRACKET, pillion footrest R	1		10
13	43661HM8101	43661HM8101	43661HM8101	43661HM8101	43661HM8101	43661HM8101	FOOTREST BAR, pillion R	1		10
14	43721HM810303P	43721HM810303P	43721HM810303P	43721HM810303P	43721HM810303P	43721HM810303P	BRACKET, pillion footrest L	1		
15	43671HM8101	43671HM8101	43671HM8101	43671HM8101	43671HM8101	43671HM8101	FOOTREST BAR, pillion L	1		10
16	07110-08258	07110-08258	07110-08258	07110-08258	07110-08258	07110-08258	BOLT, pillion footrest bracket	4		
17	43679HM8101	43679HM8101	43679HM8101	43679HM8101	43679HM8101	43679HM8101	PIN, pillion footrest	2		20
18	09448H08008	09448H08008	09448H08008	09448H08008	09448H08008	09448H08008	SPRING, pillion footrest	2		
19	08332-11048	08332-11048	08332-11048	08332-11048	08332-11048	08332-11048	E-RING, pillion footrest	2		
20	43631HM8101	43631HM8101	43631HM8101	43631HM8101	43631HM8101	43631HM8101	PLATE, pillion stopper No.1	2		20
21	43641HM8101	43641HM8101	43641HM8101	43641HM8101	43641HM8101	43641HM8101	PLATE, pillion stopper No.2	2		20
22	09320-14015	09320-14015	09320-14015	09320-14015	09320-14015	09320-14015	CUSHION, muffler support	1		
23	09180-10044	09180-10044	09180-10044	09180-10044	09180-10044	09180-10044	SPACER, muffler support	1		
24	25600HM810103P	25600HM810103P	25600HM810103P	25600HM810103P	25600HM810103P	25600HM810103P	LEVER COMP, gear shift cam	1		
25	08331-31159	08331-31159	08331-31159	08331-31159	08331-31159	08331-31159	CIRCLIP, gear shift lever	1		
26	09160H15002	09160H15002	09160H15002	09160H15002	09160H15002	09160H15002	WASHER, gear shift lever	1		

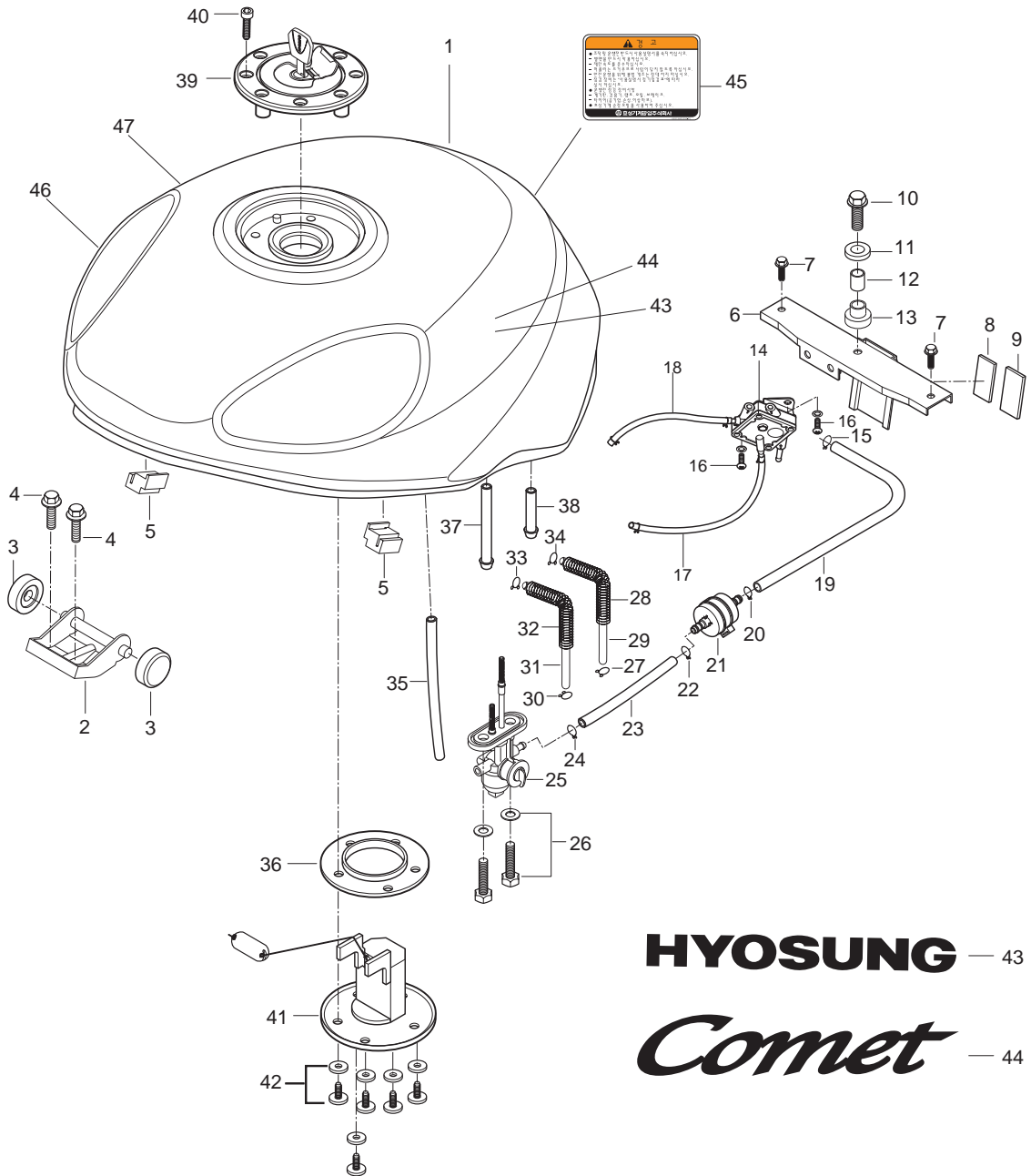
FIG 30



# FIG 30. FUEL TANK

REF. PARTS NO.							PARTS NAME	Q'TY	REMARKS	REC. Q'TY
NO.	DOMESTIC	MAT01	MEN01	MEU01	MG01	NUS01			(PCS)	
0	44110HM8150	44110HM8150	44110HM8150	44110HM8150	44110HN9130	44110HN9180	TANK COMP, fuel(EX : CMB	1		2
0~1	44110HN9120	44110HN9120	44110HN9120	44110HN9120	44110HN9121		TANK COMP, fuel(EX : CMB	1	KM4MJ51B441100569~	
1	44110HM8150	44110HM8150	44110HM8150	44110HM8150	44110HN9120	44110HM8180	TANK COMP, fuel(EX : CMB	1	NOT SALE	
1~1	44110HN9120	44110HN9120	44110HN9120	44110HN9120			TANK COMP, fuel(EX : CMB	1	KM4MJ51B441100569~	
2	44520HM8100	44520HM8100	44520HM8100	44520HM8100	44520HM8100	44520HM8100	BRKT COMP, fuel tank front	2		
3	09329-10007	09329-10007	09329-10007	09329-10007	09329-10007	09329-10007	CUSHION, fuel tank front	2		
4	01517-06206	01517-06206	01517-06206	01517-06206	01517-06206	01517-06206	BOLT, fuel tank front brkt	2		
5	09329H28001	09329H28001	09329H28001	09329H28001	09329H28001	09329H28001	CUSHION, fuel tank side	1		
6	44530HM8100	44530HM8100	44530HM8100	44530HM8100	44530HM8100	44530HM8100	BRKT COMP, fuel tank RR	2		
7	01517-06206	01517-06206	01517-06206	01517-06206	01517-06206	01517-06206	BOLT, fuel tank RR brkt	1		
8	44613HE7100	44613HE7100	44613HE7100	44613HE7100	44613HE7100	44613HE7100	CUSHION, fuel tank RR brkt δ	1		
9	44218HF4500	44218HF4500	44218HF4500	44218HF4500	44218HF4500	44218HF4500	CUSHION, fuel tank RR brkt ε	1		
10	09116H08078	09116H08078	09116H08078	09116H08078	09116H08078	09116H08078	BOLT, fuel tank RR	1		
11	09320-14013	09320-14013	09320-14013	09320-14013	09320-14013	09320-14013	CUSHION, fuel tank RR up	1		
12	09180H08007	09180H08007	09180H08007	09180H08007	09180H08007	09180H08007	SPACER, fuel tank RR cushior	1		
13	09320H10020	09320H10020	09320H10020	09320H10020	09320H10020	09320H10020	CUSHION, fuel tank RR lower	1		
14	15110HJ8200	15110HJ8200	15110HJ8200	15110HJ8200	15110HJ8200	15110HJ8200	PUMP ASS'Y, fuel	1	~KM4MJ51B441100562	
14~1	15100HG5100	15100HG5100	15100HG5100	15100HG5100		15100HG5100	PUMP ASS'Y, fuel	1	KM4MJ51B441100563~	
15	09401H11401	09401H11401	09401H11401	09401H11401	09401H11401	09401H11401	CLIP, strainer outlet No.2	1		
16	02112-06166	02112-06168	02112-06168	02112-06168	02112-06168	02112-06168	SCREW, fuel pump	2		
17	15831HG2602	44199HF1600	44199HF1600	44199HF1600	44199HF1600	15831HG2602	HOSE, fuel pump vacuum	1		
18	15821HG2601	15821HG2601	15821HG2601	15821HG2601	15821HG2601	15821HG2601	HOSE, fuel pump No.1	1		
18~1	15831HK2700	15831HK2700	15831HK2700	15831HK2700	15831HK2700	15831HK2700	HOSE, fuel pump No.1	1		
19	44199HM7900	44199HM8100	44199HM8100	44199HM8100	44199HM8100	44199HM8100	HOSE, strainer outlet(L=118)	1		10
20	09401-10401	09401-10401	09401-10401	09401-10401	09401-10401	09401-10401	CLIP, strainer outlet No.2	1		
21	44910HG2600	44910HG2600	44910HG2600	44910HG2600	44910HG2600	44910HG2600	STRAINER COMP, fuel	1		10
22	09401-10401	09401-10401	09401-10401	09401-10401	09401-10401	09401-10401	CLIP, strainer inlet	1		
23	44198HE6101	44198HE6101	44198HE6101	44198HE6101	44198HE6101	44198HE6101	HOSE, vacuum	1		
24	09401H11401	09401H11401	09401H11401	09401H11401	09401H11401	09401H11401	CLIP, strainer inlet	1		

FIG 30

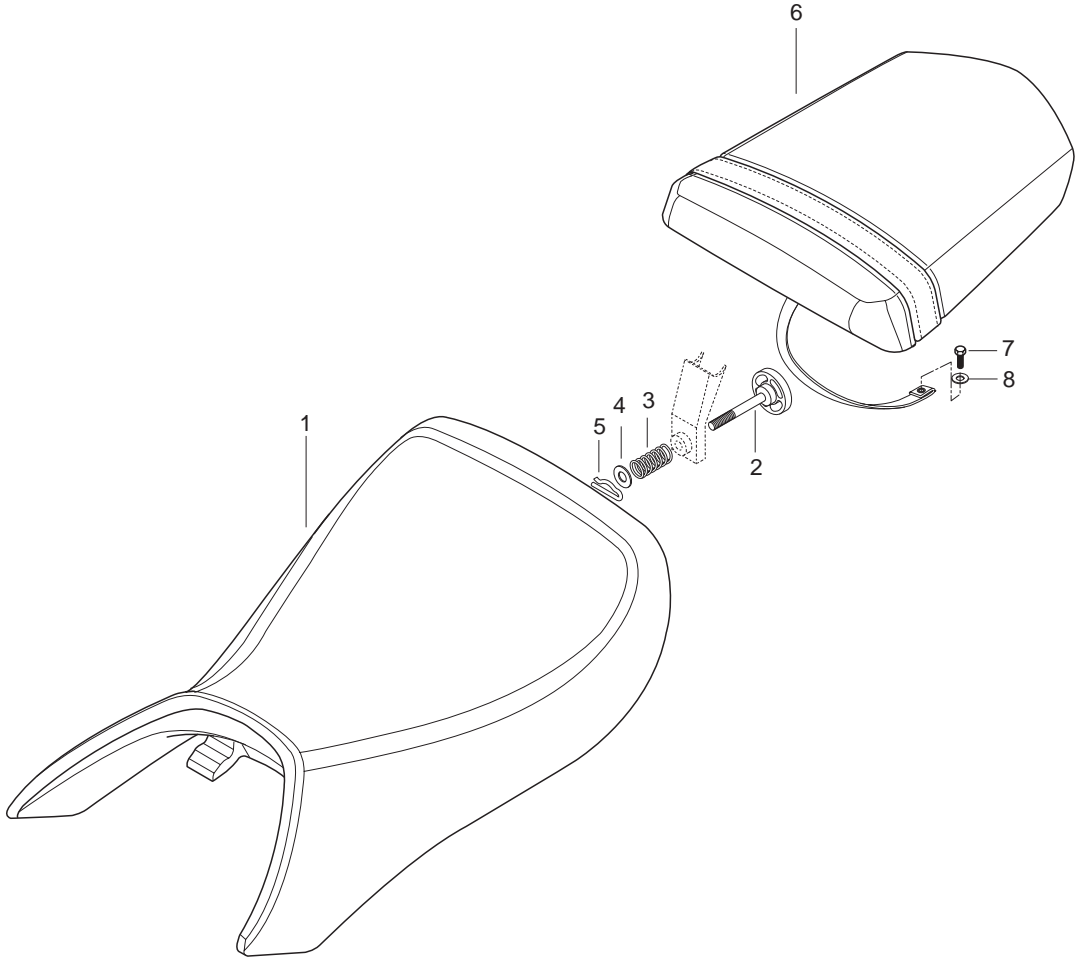


# FIG 30. FUEL TANK

REF. PARTS NO.							PARTS NAME	Q'TY	REMARKS	REC. Q'TY
NO.	DOMESTIC	MAT01	MEN01	MEU01	MG01	NUS01			(PCS)	
25	44300HM8150	44300HM8100	44300HM8100	44300HM8100	44300HM8100	44300HM8150	COCK ASS'Y, fuel	1		
25~1	44300HM8100					44300HM8100	COCK ASS'Y, fuel	1	KM4MJ51B441100569 ~	
25~2	44300HM8150	44300HM8150	44300HM8150	44300HM8150	44300HM8150	44300HM8150	COCK ASS'Y, fuel	1	KM4MJ51B441100563 ~	
26	09128H06006	09128H06006	09128H06006	09128H06006	09128H06006	09128H06006	BOLT, fuel cock	2	~KM4MJ51B441100562	
26~1	09128-06035	09128-06035	09128-06035	09128-06035		09128-06035	BOLT, fuel cock	2	KM4MJ51B441100563~	
26~2	09128H06006					09128H06006	BOLT, fuel cock	2	KM4MJ51B441100569~	
26-1	09168-06010	09168-06010	09168-06010	09168-06010	09168-06010	09168-06010	GASKET,F/level gauge	2		
27	09401-08401	09401-08401	09401-08401	09401-08401	09401-08401	09401-08401	CLIP, fuel reserve No.1	2		
28	09440-10009	09440-10009	09440-10009	09440-10009	09440-10009	09440-10009	SPRING, fuel on(L=120)	1		
29							HOSE, fuel on	1		
30							CLIP, fuel on No.1	1		
31							HOSE, fuel reserve	1		
32	09440-10009	09440-10009	09440-10009	09440-10009	09440-10009	09440-10009	SPRING, fuel reserve(L=180)	1		
33	09401-10401	09401-10401	09401-10401	09401-10401	09401-10401	09401-10401	CLIP, fuel reserve No.2	1		
34	09401-10401	09401-10401	09401-10401	09401-10401	09401-10401	09401-10401	CLIP, fuel on No.2	1		
35	09352H70103	09352H70103650	09352H70103650	09352H70103650	09352H70103650	09352H70103650	HOSE, fuel tank drain(L=650)	1		
36	44118-01D30	44118-01D30	44118-01D30	44118-01D30	44118-01D30	44118-01D30	PLATE, fuel tank inlet	1	NOT SALE	
37							FILTER, fuel on	1		
38							FILTER, fuel reserve	1		
39	44200H35C10	44200H35C10	44200H35C10	44200H35C10	44200H35C10	44200H35C10	CAP ASS'Y, fuel tank filler	1		
40	09106-05017	09106-05017	09106-05017	09106-05017	09106-05017	09106-05017	BOLT, fuel tank filler	4		
41	34810HM8102	34810HM8102	34810HM8102	34810HM8102	34810HM8102	34810HM8102	GAUGE ASS'Y, fuel level sen	1		
42	01134-05106	01134-05106	01134-05106	01134-05106	01134-05106	01134-05106	BOLT, fuel level sender	5		
43	68120HM8100	68120HM8100	68120HM8100	68120HM8100	68120HM8100		EM, HYOSUNG(COLOR)	2		
43-1						98120HM8180015	EM,FUEL TANK	2		
44	68130HM8100	68130HM8100	68130HM8100	68130HM8100		68130HM8100	EM, COMET(COLOR)	2		
44-1					68144HG7950		EM,FUEL TANK RH	1		
44-2					68146HM7950		EM,FUEL TANK LH	1		
45	68319H05300-PL	68319H05350PL	68319H05350PL	68319H05350PL	68319H05350PL	68319H05350PL	PLATE, CAUTION	1		
46	44215HM8100	44215HM8100	44215HM8100	44215HM8100	44215HM8100	44215HM8100	CUSHION,f/tank in2	1		
47	44216HM8100	44216HM8100	44216HM8100	44216HM8100	44216HM8100	44216HM8100	CUSHION,f/tank in3	1		



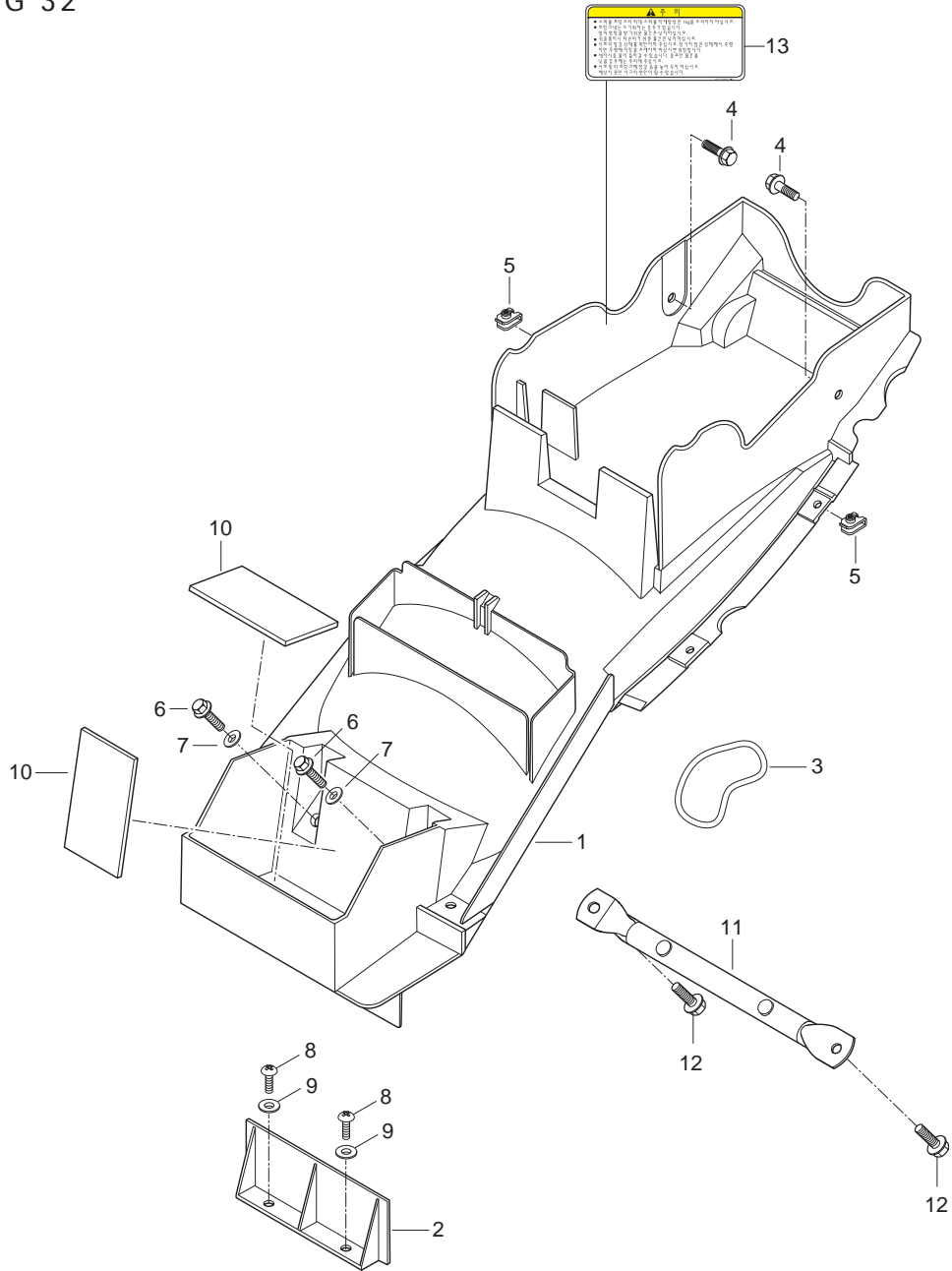
FIG 31



# FIG 31. SEAT

REF. PARTS NO.							PARTS NAME	Q'TY	REMARKS	REC. Q'TY (PCS)
NO.	DOMESTIC	MAT01	MEN01	MEU01	MG01	NUS01				
1	45110HM8101	45110HM8101	45110HM8101	45110HM8101	45110HM8101	45110HM8101	SEAT SET, front	1		5
2	45120HM8101	45120HM8101	45120HM8101	45120HM8101	45120HM8101	45120HM8101	KNOB COMP, seat front	1		
3	09440-11016	09440-11016	09440-11016	09440-11016	09440-11016	09440-11016	SPRING, seat front knob	1		
4	08322-11088	08322-11088	08322-11088	08322-11088	08322-11088	08322-11088	WASHER, seat front knob	1		
5	04111-20208	04111-20208	04111-20208	04111-20208	04111-20208	04111-20208	PIN, seat front knob	1		
6	45200HM8102	45200HM8103	45200HM8103	45200HM8103	45200HM8103	45200HM8103	SEAT SET, rear	1		5
7	01517-06206	01517-06206	01517-06206	01517-06206	01517-06206	01517-06206	BOLT, rear seat	1		
8	09160-06057	09160-06057	09160-06057	09160-06057	09160-06057	09160-06057	WASHER, rear seat	1		

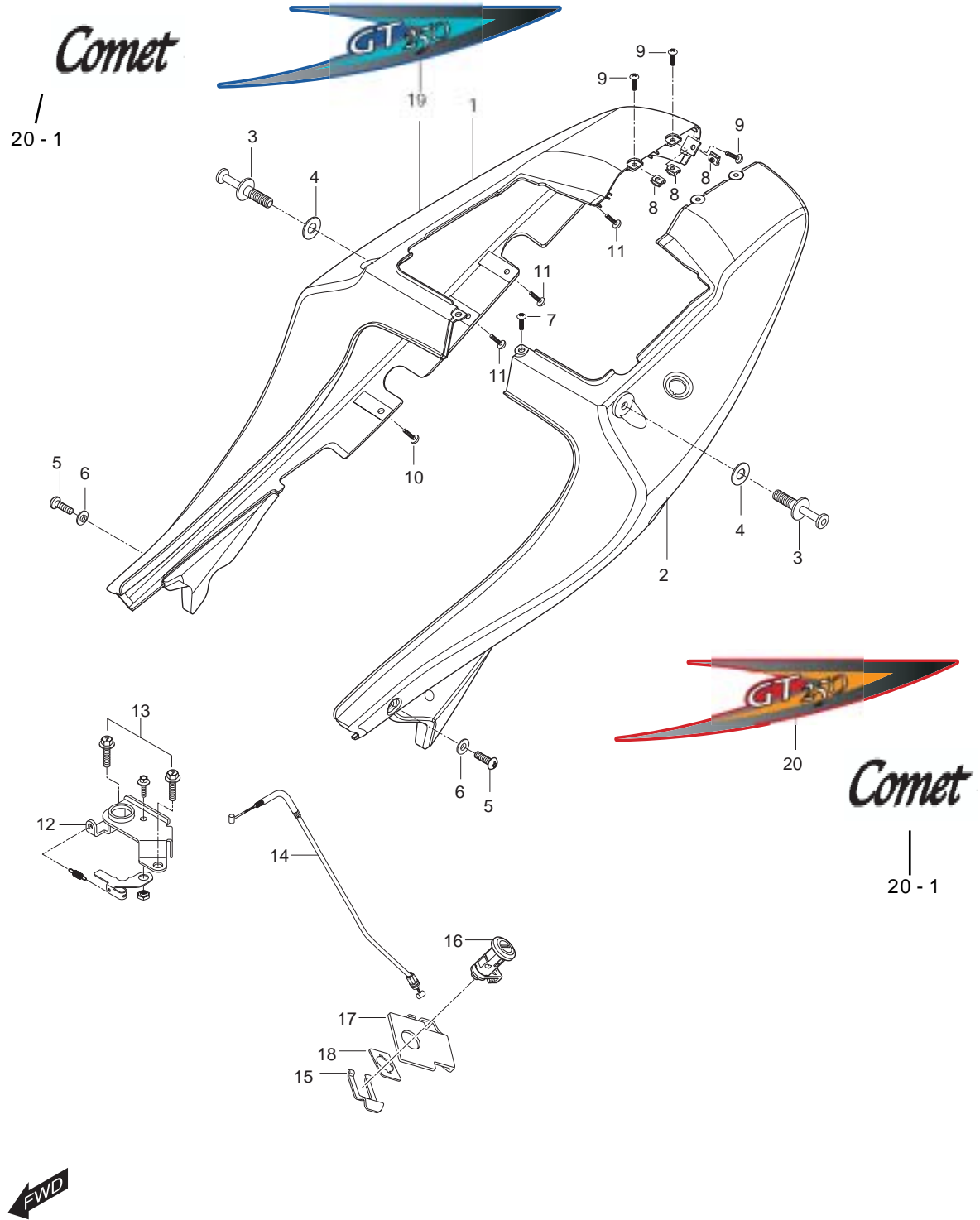
FIG 32



# FIG 32. REAR FENDER

REF. PARTS NO.							PARTS NAME	Q'TY	REMARKS	REC. Q'TY (PCS)
NO.	DOMESTIC	MAT01	MEN01	MEU01	MG01	NUS01				
1	63112HM810212A	63112HM810212A	63112HM810212A	63112HM810212A	63112HM810212A	63112HM810212A	FENDER, rear front	1		5
2	63113HM810112A	63113HM810112A	63113HM810112A	63113HM810112A	63113HM810112A	63113HM810112A	FENDER, rear lower	1		5
3	09280-63003	09280-63003	09280-63003	09280-63003	09280-63003	09280-63003	BAND, tool	1		
4	09111H06066	09111H06066	09111H06066	09111H06066	09111H06066	09111H06066	BOLT, rr fender ft up	2		
5	09148-05039	09148-05039	09148-05039	09148-05039	09148-05039	09148-05039	NUT, rr fender ft	2		
6	01517-06206	01517-06206	01517-06206	01517-06206	01517-06206	01517-06206	BOLT, rr fender ft & frame sid	2		
7	09169-06032	09169-06032	09169-06032	09169-06032	09169-06032	09169-06032	WASHER, rr fender ft & frame	2		
8	02142-06166	02142-06166	02142-06166	02142-06166	02142-06166	02142-06166	SCREW, rr fender lower	2		
9	09169-06032	09169-06032	09169-06032	09169-06032	09169-06032	09169-06032	WASHER, rr fender lower	2		
10	41589HG5900	41589HG5900	41589HG5900	41589HG5900	41589HG5900	41589HG5900	CUSHION, rr fender ft & batte	2		
11	63120HM810003P	63120HM810003P	63120HM810003P	63120HM810003P	63120HM810003P	63120HM810003P	TUBE COMP, RR fender FT &	1		
11~1	63120HM810103P	63120HM810103P				63120HM810103P	TUBE COMP, RR fender FT &	1	KM4MJ51B261103612~	
11~2			63120HN9150120	63120HN9150120	63120HN9150120		TUBE COMP, RR fender FT &	1	KM4MJ51B261103612~	
12	01517-08168	01517-08168	01517-08168	01517-08168	01517-08168	01517-08168	BOLT, frm side tube	2		
13	68350HM8100-PL	68350HM8150PL	68350HM8150PL	68350HM8150PL	68350HM8160PL	68350HM8150PL	LABEL, caution NO,1	1		

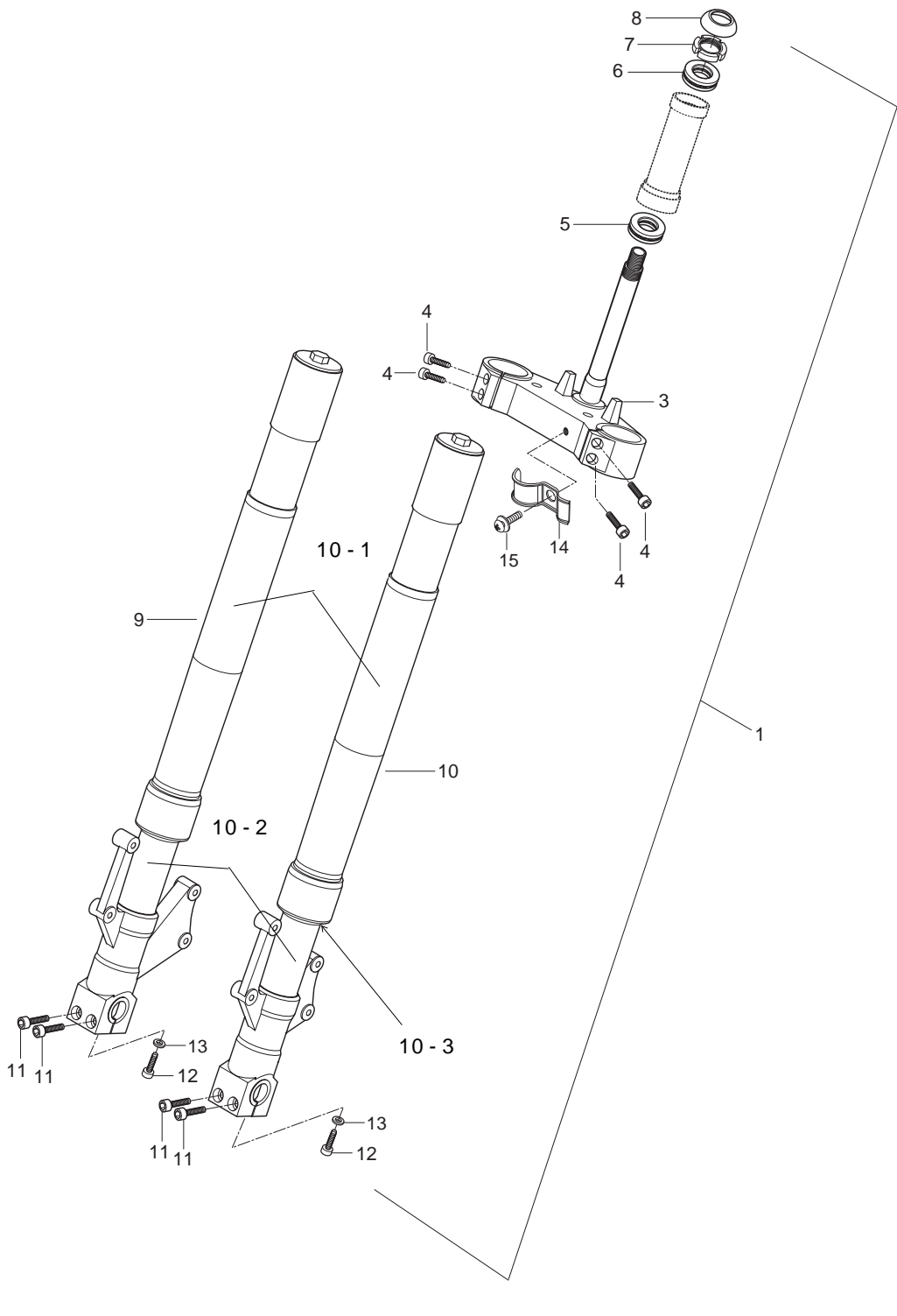
FIG 33



# FIG 33. SIDE COVER

REF. PARTS NO.							PARTS NAME	Q'TY	REMARKS	REC. Q'TY
NO.	DOMESTIC	MAT01	MEN01	MEU01	MG01	NUS01			(PCS)	
1	47111HM8102	47111HM8102	47111HM8102	47111HM8102	47111HM8102	47111HM8102	COVER, side R(color) EX: CM	1	5	
1~1			47111HM8103	47111HM8103			COVER, side R(color) EX: CM	1	5	
2	47211HM8102	47211HM8102	47211HM8102	47211HM8102	47211HM8102	47211HM8102	COVER, side L(color) EX: CM	1	5	
2~1			47211HM8102	47211HM8102			COVER, side L(color) EX: CM	1	5	
3	47113HM8101	47113HM8101	47113HM8101	47113HM8101	47113HM8101	47113HM8101	BOLT, luggage support	2		
3-1	47115HN9100	47115HN9100	47115HN9100	47115HN9100	47115HN9100	47115HN9100	CAP, LUGG SUPPORT BOLI	2		
4	08322-11088	08322-11088	08322-11088	08322-11088	08322-11088	08322-11088	WASHER, luggage bolt & frm	2		
5	02142-06166	02142-06166	02142-06166	02142-06166	02142-06166	02142-06166	SCREW, frm side front	2		
6	09169-06032	09169-06032	09169-06032	09169-06032	09169-06032	09169-06032	WASHER, frm side front	2		
7	02142-06166	02142-06166	02142-06166	02142-06166	02142-06166	02142-06166	SCREW, frm side center	1		
8	09148-05004	09148-05004	09148-05004	09148-05004	09148-05004	09148-05004	NUT, frm side rear up	3		
9	03241-05125	03241-05125	03241-05125	03241-05125	03241-05125	03241-05125	SCREW, frm side rear up	3		
10	02142-06206	02142-06206	02142-06206	02142-06206	02142-06206	02142-06206	SCREW, frm side low & frm	2		
11	02142-05166	02142-05166	02142-05166	02142-05166	02142-05166	02142-05166	SCREW, frm side low & rear fi	6		
12	45220HM8100	45220HM8100	45220HM8100	45220HM8100	45220HM8100	45220HM8100	LOCK ASS'Y, seat striker rear	1		
13	02122-06308	02122-06308	02122-06308	02122-06308	02122-06308	02122-06308	BOLT, seat striker(M6X16)	2		
14	45280-35C00	45280-35C00	45280-35C00	45280-35C00	45280-35C00	45280-35C00	CABLE ASS'Y, seat lock	1		
15	92414HF4500	92414HF4500	92414HF4500	92414HF4500	92414HF4500	92414HF4500	LOCK, key set	1		
16	45700HG2610	45700HG2610	45700HG2610	45700HG2610	45700HG2610	45700HG2610	LOCK ASS'Y, seat	1		
17	45381HG2601	45381HG2601	45381HG2601	45381HG2601	45381HG2601	45381HG2601	GUIDE, seat lock cable	1		
18	92413HF4501	92413HF4501	92413HF4501	92413HF4501	92413HF4501	92413HF4501	WASHER, side cover	1		
19	68134HM8100	68134HM8100	68134HM8100	68134HM8100	68134HM8100	68130HM8100	TAPE side cover R(COLOR)	1	OLD Version	
	(TR Color = 00C, RB=00D, MB=00E, MO=00F, DB=00G ex)Order parts number = 68134HM810000G and 68136HM810000G)									
20	68136HM8100	68136HM8100	68136HM8100	68136HM8100	68136HM8100	68136HM8100	TAPE side cover L(COLOR)	1	OLD Version	
20-1	68130HM8160015	68130HM8160015	68130HM8160015	68130HM8160015	68130HM8160015	68130HM8160015	EMB.COMET(DB,TR,MB,RB)	2	NEW Version	
20-1	68130HM816010R	68130HM816010R	68130HM816010R	68130HM816010R	68130HM816010R	68130HM816010R	EMBLEM,COMET(MO)	2	NEW Version	
21						53115HM8180	CUSHION,S/COV & REFLEX	1		
22						53115HM8180	CUSHION,S/COV & REFLEX	1		
23						35970HM8170	REFLEX,REFLECTOR ASS'Y	2		

FIG 34

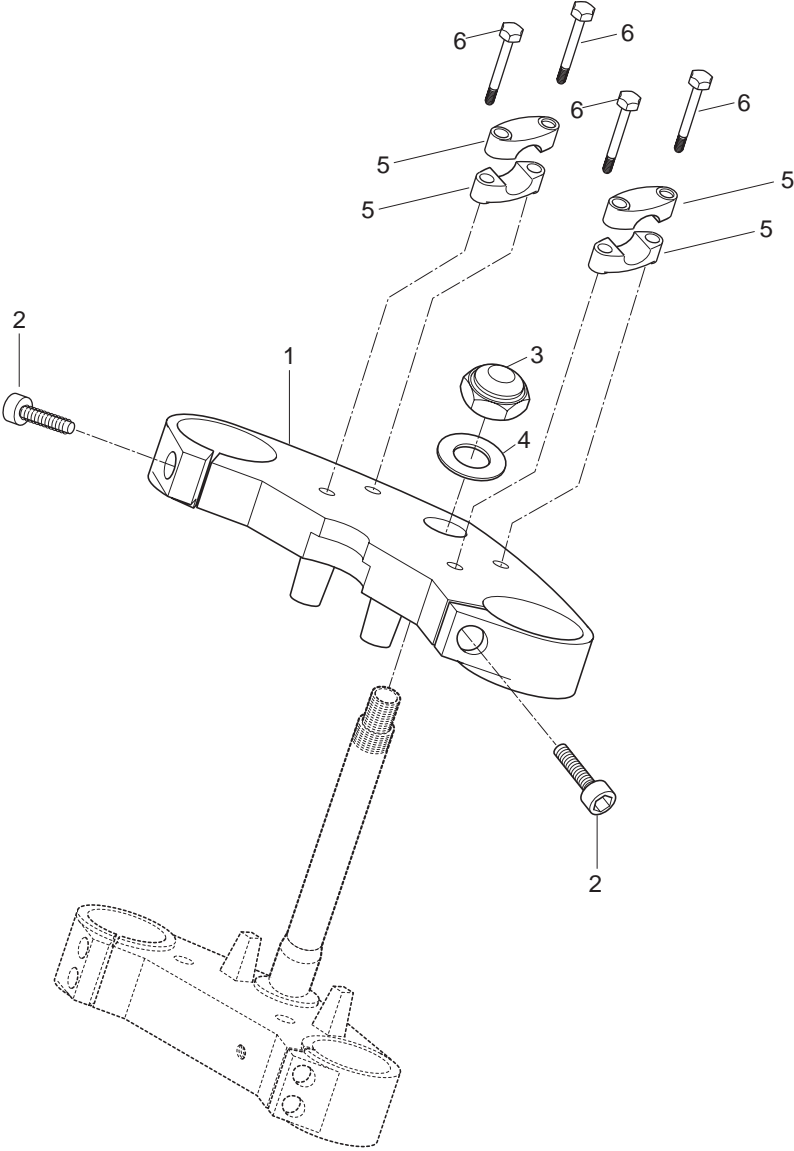


# FIG 34. FRONT FORK

REF. PARTS NO.							PARTS NAME	Q'TY	REMARKS	REC. Q'TY
NO.	DOMESTIC	MAT01	MEN01	MEU01	MG01	NUS01			(PCS)	
1	51100HM8101HPA	51100HM8101HPA	51100HM8101HPA	51100HM8101HPA	51100HM8101HPA	51100HM8101HPA	FORK ASS'Y, front	1		
2	51411HM810203P	51411HM810203P	51411HM810203P	51411HM810203P	51411HM810203P	51411HM810203P	BRACKET COMP, front fork t	1	NOT SALE	
2~1	51411HM810503P	51411HM810503P	51411HM810503P	51411HM810503P	51411HM810503P	51411HM810503P	BRACKET COMP, front fork t	1		
3	51410HM8105HPA	51410HM8105HPA	51410HM8105HPA	51410HM8105HPA	51410HM8105HPA	51410HM8105HPA	BRACKET, front fork under	1	5	
4	07110-08258	07110-08258	07110-08258	07110-08258	07110-08258	07110-08258	BOLT, front fork under bracket	4		
5	09265H25001	09265H25001	09265H25001	09265H25001	09265H25001	09265H25001	BEARING, steering lower	1		
6	09265H28001	09265H28001	09265H28001	09265H28001	09265H28001	09265H28001	BEARING, steering upper	1		
7	51643HG5801	51643HG5801	51643HG5801	51643HG5801	51643HG5801	51643HG5801	DUST SEAL, steering upper	1	10	
8	51631-28000	51631-28000	51631-28000	51631-28000	51631-28000	51631-28000	NUT, steering stem	1		
9	51210HM8102	51210HM8102	51210HM8102	51210HM8102	51210HM8102	51210HM8102	DAMPER ASS'Y, front fork R	1	5	
10	51220HM8102	51220HM8102	51220HM8102	51220HM8102	51220HM8102	51220HM8102	DAMPER ASS'Y, front fork L	1	5	
10-1	52210-M8100	52210-M8100	52210-M8100	52210-M8100	52210-M8100	52210-M8100	FORK, UPPER CASE	2		
10-2	52110-M8100	52110-M8100	52110-M8100	52110-M8100	52110-M8100	52110-M8100	FORK,pipe	2		
10-3	51255HG5800	51255HG5800	51255HG5800	51255HG5800	51255HG5800	51255HG5800	FORK,oil seal	2		
11	09106H08458	09106H08458	09106H08458	09106H08458	09106H08458	09106H08458	BOLT, axle grip	4		
12	07110-08256	07110-08256	07110-08256	07110-08256	07110-08256	07110-08256	BOLT, fork clip	2		
13	90544H93B00	90544H93B00	90544H93B00	90544H93B00	90544H93B00	90544H93B00	WASHER, spacer	2		
14	59266HM8100	59266HM8100	59266HM8100	59266HM8100	59266HM8100	59266HM8100	CLAMP, brake hose & clamp	1		
15	02112-06168	02112-06168	02112-06168	02112-06168	02112-06168	02112-06168	SCREW, ft brake hose & speed	1		



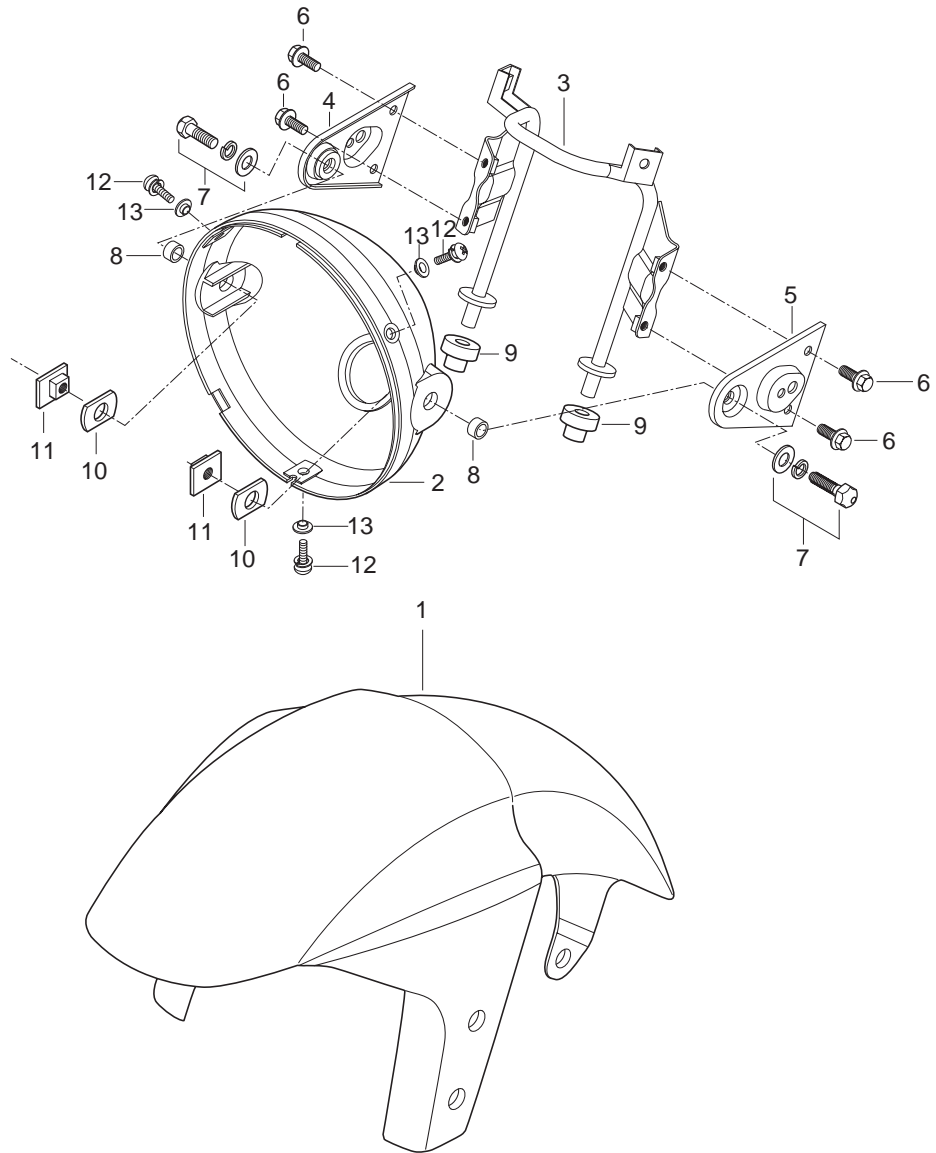
FIG 35



# FIG 35. STEERING HEAD

REF. PARTS NO.							PARTS NAME	Q'TY	REMARKS	REC. Q'TY (PCS)
NO.	DOMESTIC	MAT01	MEN01	MEU01	MG01	NUS01				
1	51311HM810103P	51311HM810103P	51311HM810103P	51311HM810103P	51311HM810103P	51311HM810103P	BRACKET, front fork upper	1	~ KM4MJ51B341102223	5
1-1	51311HM810403P	51311HM810403P	51311HM810403P	51311HM810403P	51311HM810403P	51311HM810403P	BRACKET, front fork upper	1	KM4MJ51B341102224 ~	5
2	07110-08258	07110-08258	07110-08258	07110-08258	07110-08258	07110-08258	BOLT, front fork upper bracket	2		
3	09159H22002	09159H22002	09159H22002	09159H22002	09159H22002	09159H22002	NUT, str upper	1		
4	09160H22032	09160H22032	09160H22032	09160H22032	09160H22032	09160H22032	WASHER, str upper	1		
5	56211-35C00	56211-35C00	56211-35C00	56211-35C00	56211-35C00	56211-35C00	HOLDER, handle bar	4		
6	01517-08608	01517-08608	01517-08608	01517-08608	01517-08608	01517-08608	BOLT, handle bar	4		

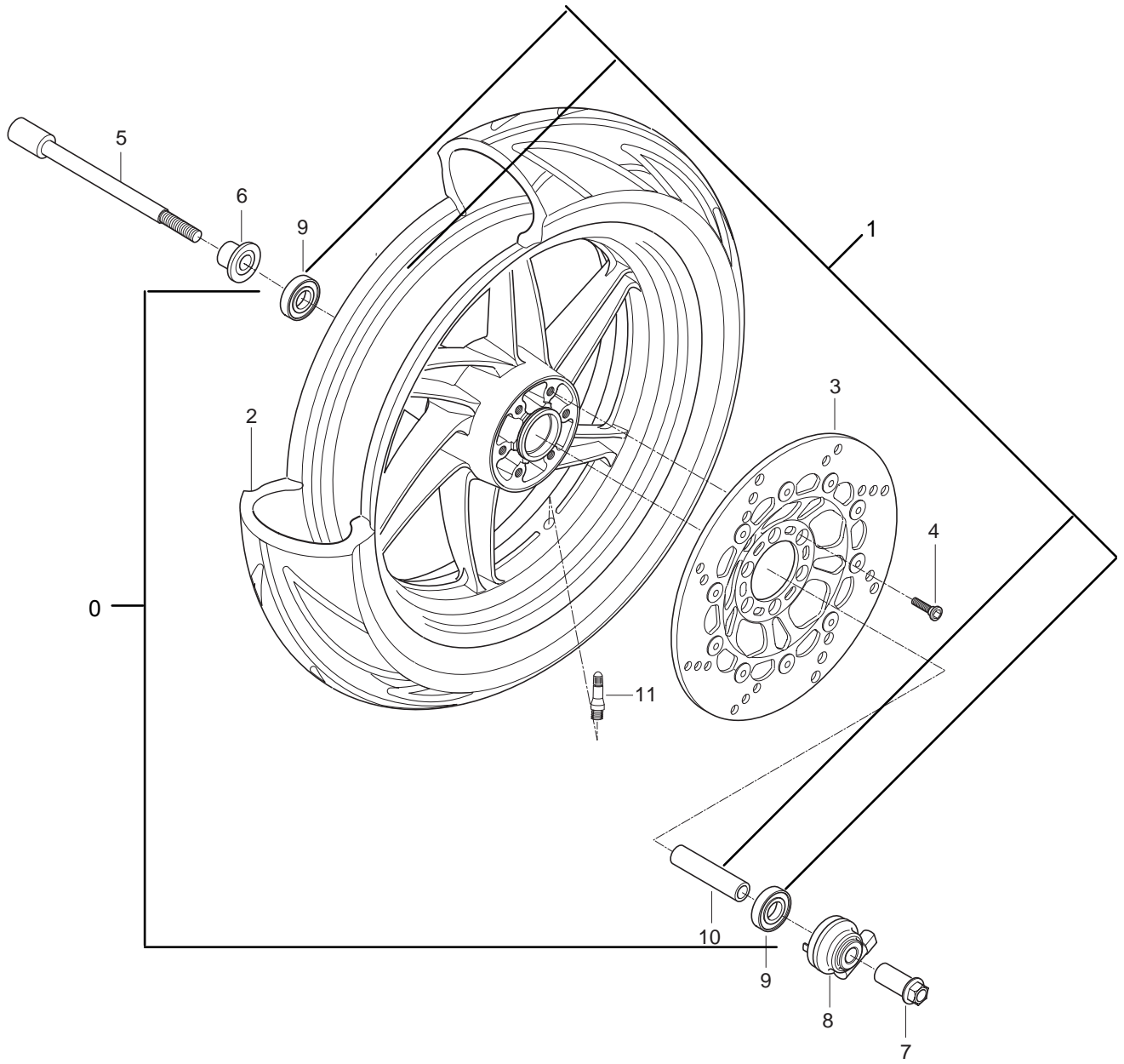
FIG 36



# FIG 36. FRONT FENDER

REF. PARTS NO.							PARTS NAME	Q'TY	REMARKS	REC. Q'TY
NO.	DOMESTIC	MAT01	MEN01	MEU01	MG01	NUS01			(PCS)	
1	53111HM8100	53111HM8100	53111HM8100	53111HM8100	53111HM8100	53111HM8100	FENDER, front(EX : CMB,CM	1		5
2	51811HM8101PAM	51811HM8101PAM	51811HM8101PAM	51811HM8101PAM	51811HM8101PAM	51811HM8101PAM	HOUSING, headlamp	1		10
3	51550HM8100	51550HM8100	51550HM8100	51550HM8100	51550HM8100	51550HM8100	BRACE COMP, headlamp hou	1		
4	51540HM8100PLA	51540HM8100PLA	51540HM8100PLA	51540HM8100PLA	51540HM8100PLA	51540HM8100PLA	BRKT COMP, headlamp housi	1		
5	51530HM8100PLA	51530HM8100PLA	51530HM8100PLA	51530HM8100PLA	51530HM8100PLA	51530HM8100PLA	BRKT COMP, headlamp housi	1		
6	02122-06308	02122-06308	02122-06308	02122-06308	02122-06308	02122-06308	BOLT, headlamp brkt housing	4		
7	01284-08258	01284-08258	01284-08258	01284-08258	01284-08258	01284-08258	BOLT, headlamp housing	2		
8	09180-08092	09180-08092	09180-08092	09180-08092	09180-08092	09180-08092	SPACER, headlamp housing	2		
9	09320-10020	09320-10020	09320-10020	09320-10020	09320-10020	09320-10020	CUSHION, under brkt & headl	2		
10	09329-12002	09329-12002	09329-12002	09329-12002	09329-12002	09329-12002	CUSHION, headlamp housing	2		
11	51860-45000	51860-45000	51860-45000	51860-45000	51860-45000	51860-45000	PLATE COMP, headlamp hous	2		
12	02112-95208	02112-95208	02112-95208	02112-95208	02112-95208	02112-95208	SCREW, housing & headlamp	3		
16						35950HG2601	REFLEX,REFLECTOR ASS'Y	2		

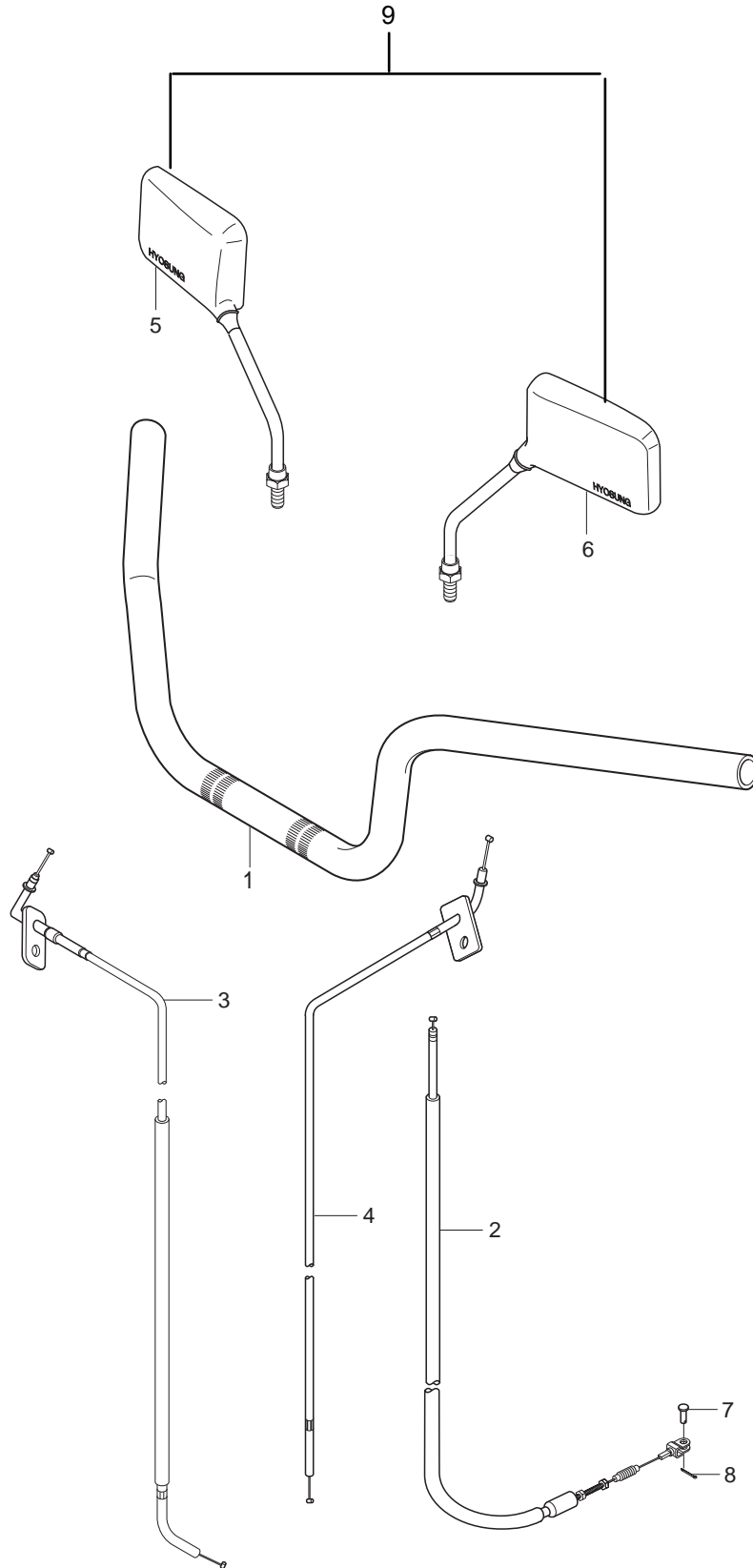
FIG 37



# FIG 37. FRONT WHEEL

REF. PARTS NO.							PARTS NAME	Q'TY	REMARKS	REC. Q'TY
NO.	DOMESTIC	MAT01	MEN01	MEU01	MG01	NUS01			(PCS)	
0	54140SM8100HPA	54140SM8100HPA	54140SM8100HPA	54140SM8100HPA	54140SM8100HPA	54140SM8100HPA	WHEEL+TIRE SET, front	1		
1	54140HM8100HPA	54140HM8100HPA	54140HM8100HPA	54140HM8100HPA	54140HM8100HPA	54140HM8100HPA	WHEEL ASS'Y, front	1		
1-1	54141HM8102	54141HM8102	54141HM8102	54141HM8102	54141HM8102	54141HM8102	WHEEL, front(J17xMT3.0)	1		
2	55101HM8100	55101HM8100	55101HM8100	55101HM8100	55101HM8100	55101HM8100	TIRE COMP, front(110/70-175	1	5	
3	59211HM8100	59211HM8100	59211HM8100	59211HM8100	59211HM8100	59211HM8100	DISC, front brake	1		
4	59421-03A01	59421-03A01	59421-03A01	59421-03A01	59421-03A01	59421-03A01	BOLT, front brake disc	6		
5	54711HG5101	54711HG5101	54711HG5101	54711HG5101	54711HG5101	54711HG5101	AXLE, front	1		
6	54740HM8101	54740HM8101	54740HM8101	54740HM8101	54740HM8101	54740HM8101	SPACER COMP, front axle R	1		
7	54721HM8100	54721HM8100	54721HM8100	54721HM8100	54721HM8100	54721HM8100	NUT, front axle	1		
8	54600HG5102	54600HG5102	54600HG5102	54600HG5102	54600HG5102	54600HG5102	BOX ASS'Y, speedometer gea	1	10	
9	08124-63027	08124-63027	08124-63027	08124-63027	08124-63027	08124-63027	BEARING, front hub	2	6	
10	54731HM8100	54731HM8100	54731HM8100	54731HM8100	54731HM8100	54731HM8100	SPACER, front hub	1		
11	55220-41D10	55220-41D10	55220-41D10	55220-41D10	55220-41D10	55220-41D10	VALVE ASS'Y, wheel rim	1		
12	54690HM8101	54690HM8101	54690HM8101	54690HM8101	54690HM8101	54690HM8101	COV, S/METER	1		
13	54890HM8100	54890HM8100	54890HM8100	54890HM8100	54890HM8100	54890HM8100	COV, FRONT WHEEL	1		

FIG 38

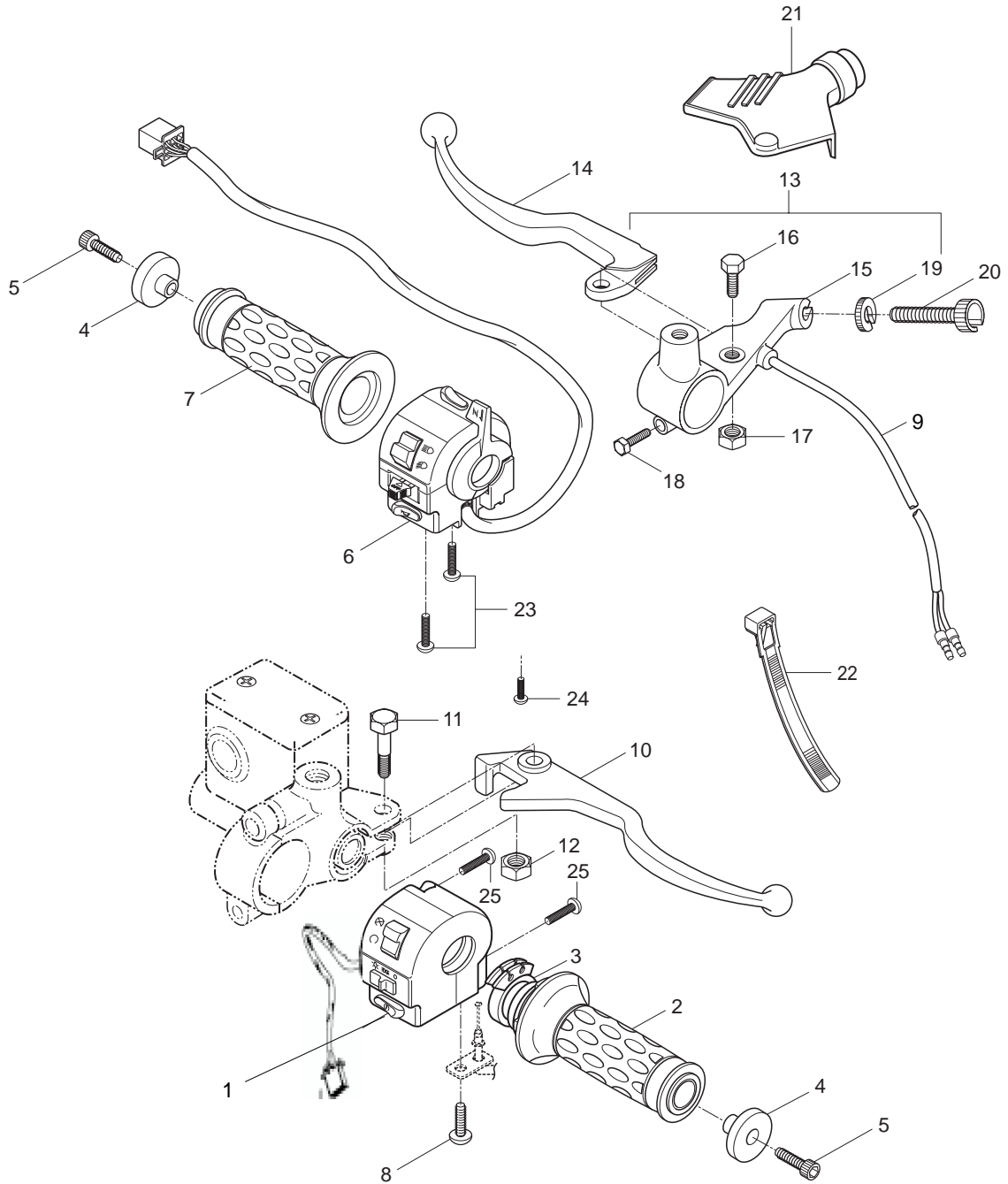


# FIG 38. HANDLE BAR

REF. PARTS NO.							PARTS NAME	Q'TY	REMARKS	REC. Q'TY
NO.	DOMESTIC	MAT01	MEN01	MEU01	MG01	NUS01			(PCS)	
1	56110HM8103	56110HM8103	56110HM8103	56110HM8103	56110HM8103	56110HM8103	HANDLE BAR COMP	1		5
2	58200HM8101	58200HM8101	58200HM8101	58200HM8101	58200HM8101	58200HM8101	CABLE ASS'Y CLUTCH	1		
3	58300HM8102	58300HM8102	58300HM8102	58300HM8102	58300HM8102	58300HM8102	CABLE ASS'Y, throttle	1		
4	58410HM8102	58410HM8102	58410HM8102	58410HM8102	58410HM8102	58410HM8102	CABLE COMP, starter	1		
5	56500HM5450	56500HM5450	56500HM5450	56500HM5450	56500HM5450	56500HM8180	MIRROR ASS'Y, rear view R	1		
6	56600HM5450	56600HM5450	56600HM5450	56600HM5450	56600HM5450	56600HM8180	MIRROR ASS'Y, rear view L	1		
7	09200-06004	09200-06004	09200-06004	09200-06004	09200-06004	09200-06004	PIN, clutch cable	1		
8	04111-20158	04111-20158	04111-20158	04111-20158	04111-20158	04111-20158	COTTER PIN, clutch	1		
9	56501HM5450	56501HM5450	56501HM5450	56501HM5450	56501HM5450	56501HM8180	MIRROR SET	1		10



FIG 39

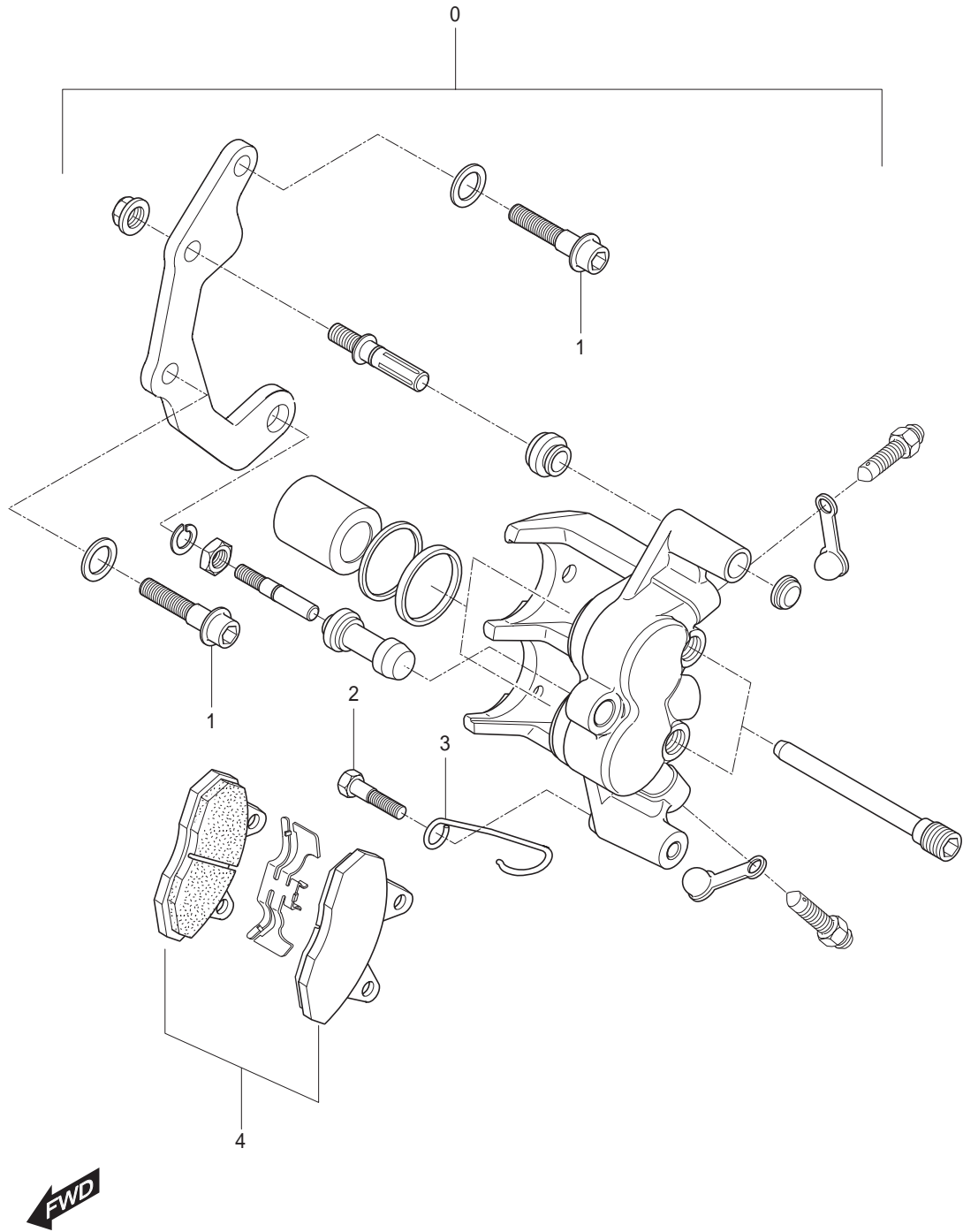


FWD

# FIG 39. HANDLE SWITCH

REF. PARTS NO.							PARTS NAME	Q'TY	REMARKS	REC. Q'TY
NO.	DOMESTIC	MAT01	MEN01	MEU01	MG01	NUS01			(PCS)	
1	37200HM8100	37200HM8150	37200HM8150	37200HM8150	37200HM8150	37200HM8100	SWITCH ASS`Y, handle R	1		10
2	57110HG5803	57110HG5803	57110HG5803	57110HG5803	57110HG5803	57110HG5803	GRIP COMP, throttle	1		5
3	57113H93B00	57113H93B00	57113H93B00	57113H93B00	57113H93B00	57113H93B00	COVER, throttle grip	1	NOT SALE	
4	56271HF4501PLA	56271HF4501PLA	56271HF4501PLA	56271HF4501PLA	56271HF4501PLA	56271HF4501PLA	BALANCER	2		
5	07110-08208	07110-08208	07110-08208	07110-08208	07110-08208	07110-08208	BOLT, handle balancer	2		
6	37400HM8100	37400HM8100	37400HM8100	37400HM8100	37400HM8100	37400HM8100	SWITCH ASS`Y, handle L	1		10
7	57211HG5800	57211HG5800	57211HG5800	57211HG5800	57211HG5800	57211HG5800	GRIP COMP, L	1		5
8	02112-05105	02112-05105	02112-05105	02112-05105	02112-05105	02112-05105	SCREW, throttle cable	1		
9	57460HJ8250	57460HJ8250	57460HJ8250	57460HJ8250	57460HJ8250	57460HJ8250	SWITCH ASS`Y, clutch	1		10
10	57421-13001	57421-13001	57421-13001	57421-13001	57421-13001	57421-13001	LEVER, brake	1		5
11	57431H05D00	57431H05D00	57431H05D00	57431H05D00	57431H05D00	57431H05D00	BOLT, brake lever pivot	1		
12	08319-21065	08319-21065	08319-21065	08319-21065	08319-21065	08319-21065	NUT, brake lever pivot	1		
13	57500HM8100	57500HM8100	57500HM8100	57500HM8100	57500HM8100	57500HM8100	LEVER ASS`Y, clutch	1	~KM4MJ527541101312	
13~1	57500HN9100	57500HN9100	57500HN9100	57500HN9100	57500HN9100	57500HN9100	LEVER ASS`Y, clutch	1	KM4MJ527541101313~	
14	57620HN9100	57620HN9100	57620HN9100	57620HN9100	57620HN9100	57620HN9100	CLUTCH LEVER	1		
15	57511HM8100	57511HM8100	57511HM8100	57511HM8100	57511HM8100	57511HM8100	HOLDER, clutch lever	1		
16	57431HG5800	57431HG5800	57431HG5800	57431HG5800	57431HG5800	57431HG5800	BOLT , clutch lever pivot	1		
17	08319-21065	08319-21065	08319-21065	08319-21065	08319-21065	08319-21065	NUT, brake lever pivot	1		
18	57451H93B00	57451HG5800	57451HG5800	57451HG5800	57451HG5800	57451HG5800	BOLT, clutch lever holder	1		
19	57442H93B00	57442H93B00	57442H93B00	57442H93B00	57442H93B00	57442H93B00	LOCK NUT	1		
20	57441H93B00	57441H93B00	57441H93B00	57441H93B00	57441H93B00	57441H93B00	ADJUSTER, wire	1		
21	57661HJ8200	57661HJ8200	57661HJ8200	57661HJ8200	57661HJ8200	57661HJ8200	COVER, clutch lever	1		
22	09407-14403	09407-14403	09407-14403	09407-14403	09407-14403	09407-14403	CLAMP, handle switch harness	2		
23	02112-05485	02112-05455	02112-05455	02112-05455	02112-05455	02112-05455	SCREW, h/switch LH	2		
24	02112-05105	02112-05105	02112-05105	02112-05105	02112-05105	02112-05105	SCREW, choke cable	1		
25	02112-05208	02112-05205	02112-05205	02112-05205	02112-05205	02112-05205	SCREW, H/switch RH	2		

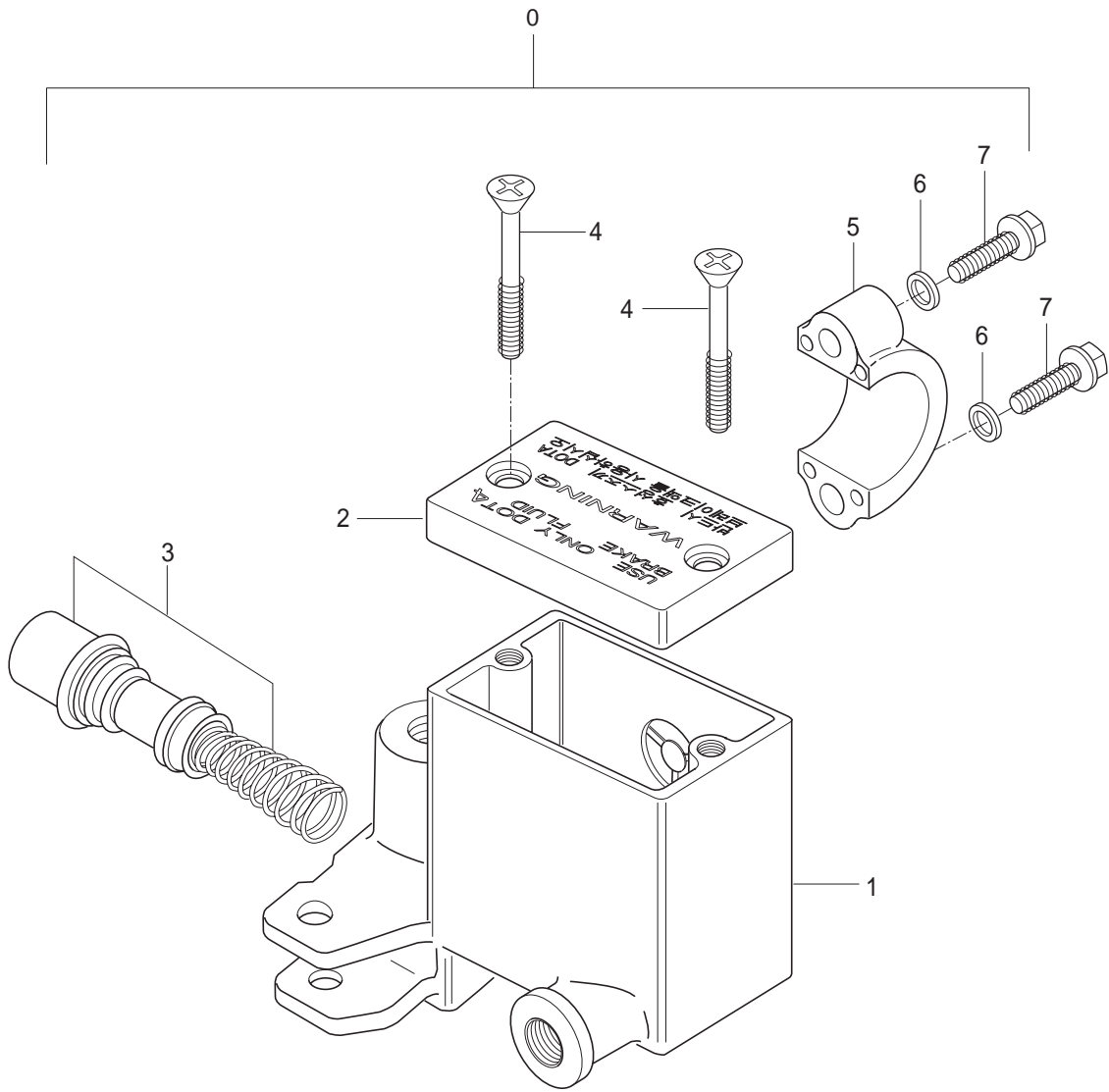
FIG 40



# FIG 40. CALIPER

REF. PARTS NO.							PARTS NAME	Q'TY	REMARKS	REC. Q'TY
NO.	DOMESTIC	MAT01	MEN01	MEU01	MG01	NUS01			(PCS)	
0	59300HM8101	59300HM8101	59300HM8101	59300HM8101	59300HM8101	59300HM8101	CALIPER ASS'Y, L	1	~KM4MJ51B051103399	5
0~1	59300HP9500	59300HP9500	59300HP9500	59300HP9500	59300HP9500	59300HP9500	CALIPER ASS'Y, L	1	KM4MJ51B051103400~	5
1	09103H08254	09103H08254	09103H08254	09103H08254	09103H08254	09103H08254	BOLT, caliper	2		
2	01514-06106	01514-06106	01514-06106	01514-06106	01514-06106	01514-06106	BOLT, speedometer cable guid	1		
3	51418HM8101	51418HM8101	51418HM8101	51418HM8101	51418HM8101	51418HM8101	GUIDE, speedometer cable	1		
4	59300HG5800	59300HG5800	59300HG5800	59300HG5800	59300HG5800	59300HG5800	PAD SET(7.4t)	1	~KM4MJ51B951103429	
4-1	59301HP9500	59301HP9500	59301HP9500	59301HP9500	59301HP9500	59301HP9500	PAD SET(8.4t)	1	KM4MJ51B951103430 ~	5

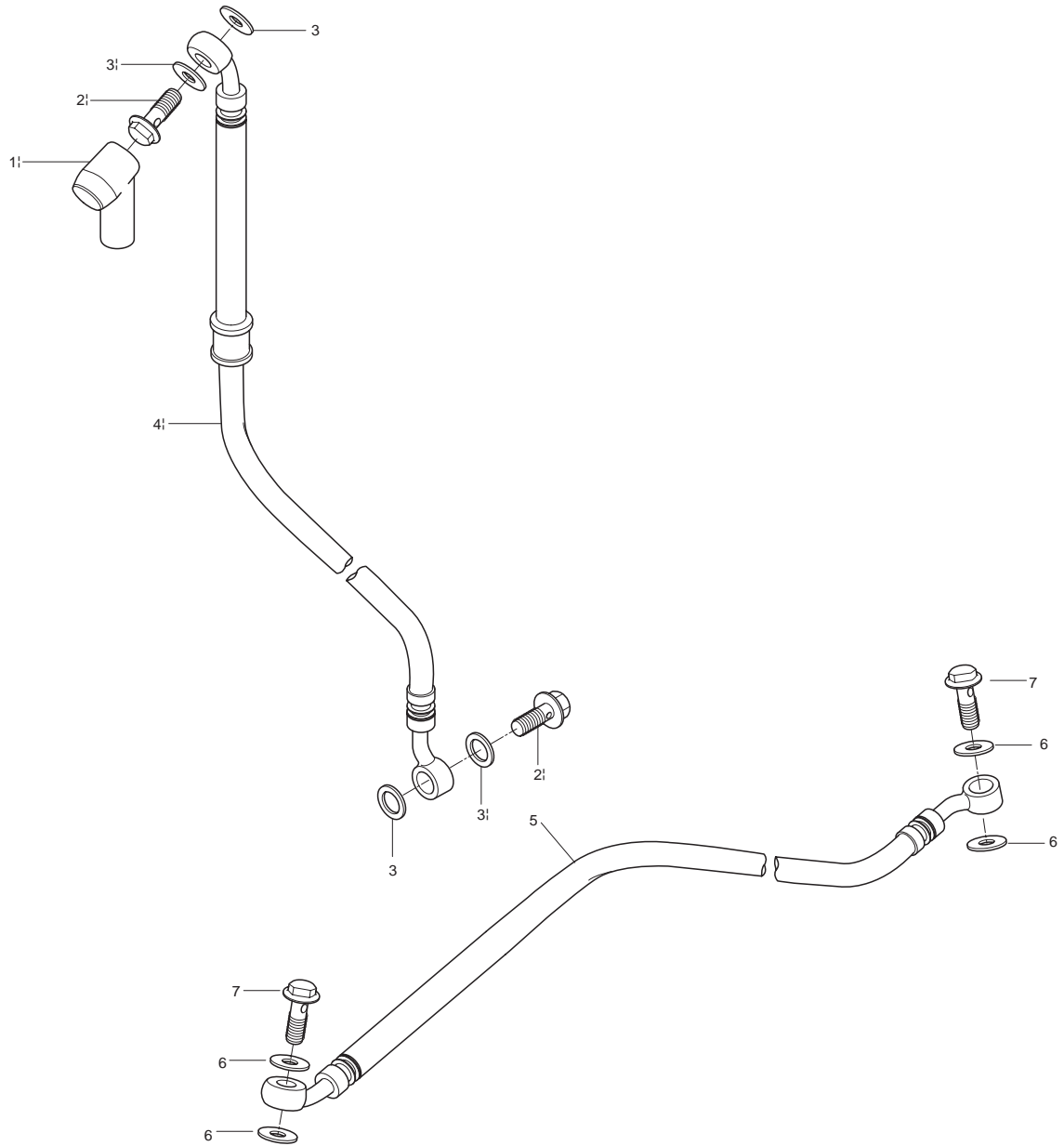
FIG 41



# FIG 41. MASTER CYLINDER

REF. PARTS NO.							PARTS NAME	Q'TY	REMARKS	REC. Q'TY (PCS)
NO.	DOMESTIC	MAT01	MEN01	MEU01	MG01	NUS01				
0	59600-35C03	59600-35C03	59600-35C03	59600-35C03	59600-35C03	59600HM8180	CYLINDER ASS'Y, front mas	1		5
1	59687-35C00	59687-35C00	59687-35C00	59687-35C00	59687-35C00	59687-35C00	BODY	1	NOT SALE	
2	59669-36510	59669-36510	59669-36510	59669-36510	59669-36510	59669-36510	CAP, reservoir	1		
3	59610-35C00	59610-35C00	59610-35C00	59610-35C00	59610-35C00	59610-35C00	PISTON, SET	1	NOT SALE	
4	59691-35C00	59691-35C00	59691-35C00	59691-35C00	59691-35C00	59691-35C00	SCREW	2		
5	59671-35C00	59671-35C00	59671-35C00	59671-35C00	59671-35C00	59671-35C00	HOLDER	1		
6	08322-21064	08322-21064	08322-21064	08322-21064	08322-21064	08322-21064	WASHER	2		
7	01107-35C00	01107-35C00	01107-35C00	01107-35C00	01107-35C00	01107-35C00	BOLT, master cylinder hold	2		

FIG 42

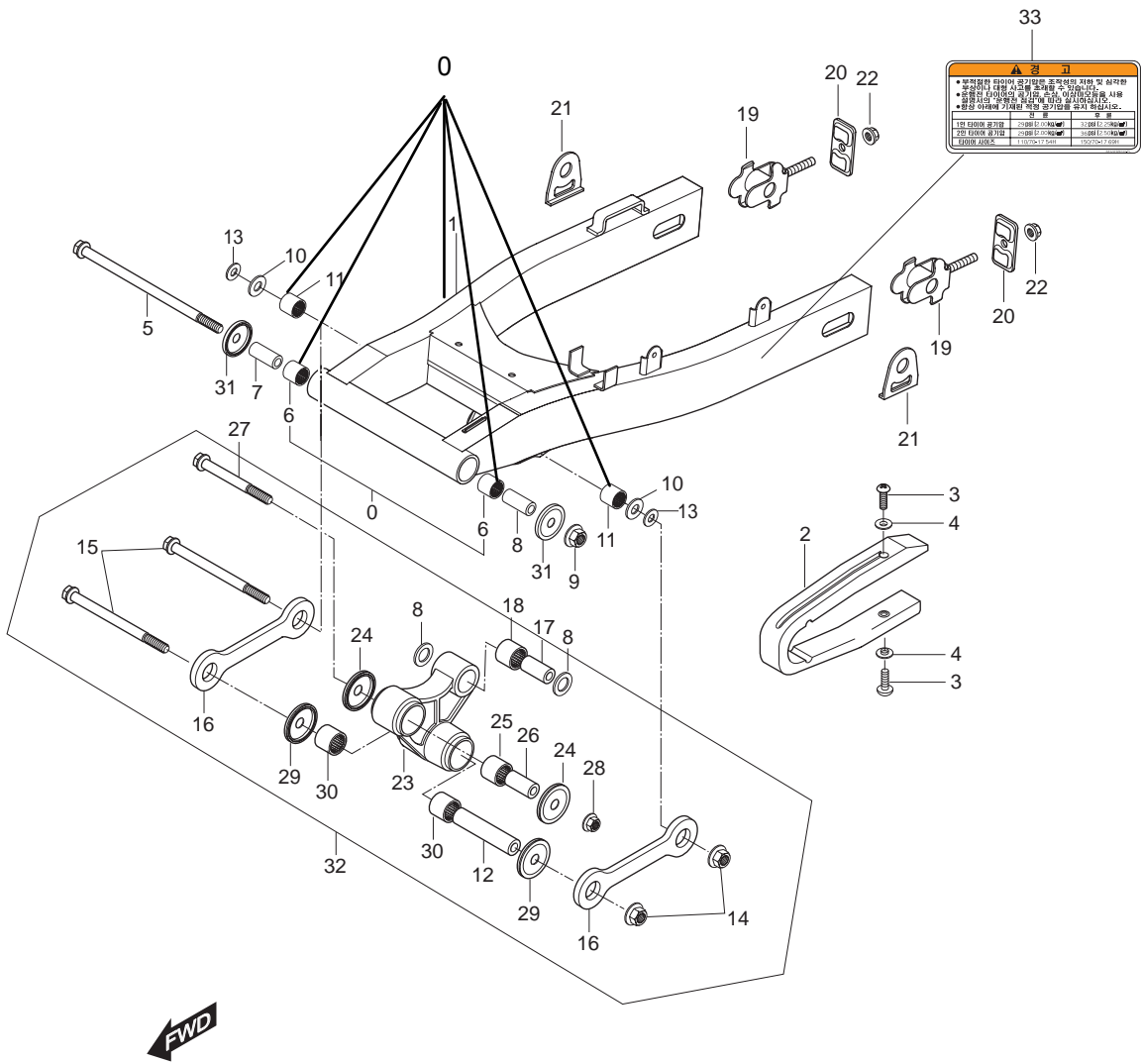


# FIG 42. FRONT BRAKE HOSE

REF. PARTS NO.							PARTS NAME	Q`TY	REMARKS	REC. Q'TY (PCS)
NO.	DOMESTIC	MAT01	MEN01	MEU01	MG01	NUS01				
1	59711H49002	59711H49002	59711H49002	59711H49002	59711H49002	59711H49002	BOOT, brake hose	1		
2	09360-10039	09360-10039	09360-10039	09360-10039	09360-10039	09360-10039	BOLT, brake hose	2		20
3	09161-10005	09161-10005	09161-10005	09161-10005	09161-10005	09161-10005	WASHER, brake hose	4		32
4	59480HM8105	59480HM8105	59480HM8105	59480HM8105	59480HM8105	59480HM8105	HOSE COMP, front brake	1		5
5	69480HM8103	69480HM8103	69480HM8103	69480HM8103	69480HM8103	69480HM8103	HOSE COMP, rear brake	1		
6	09161-10005	09161-10005	09161-10005	09161-10005	09161-10005	09161-10005	WASHER, rear brake fluide	4		
7	09360-10039	09360-10039	09360-10039	09360-10039	09360-10039	09360-10039	BOLT, rear brake fluide	2		



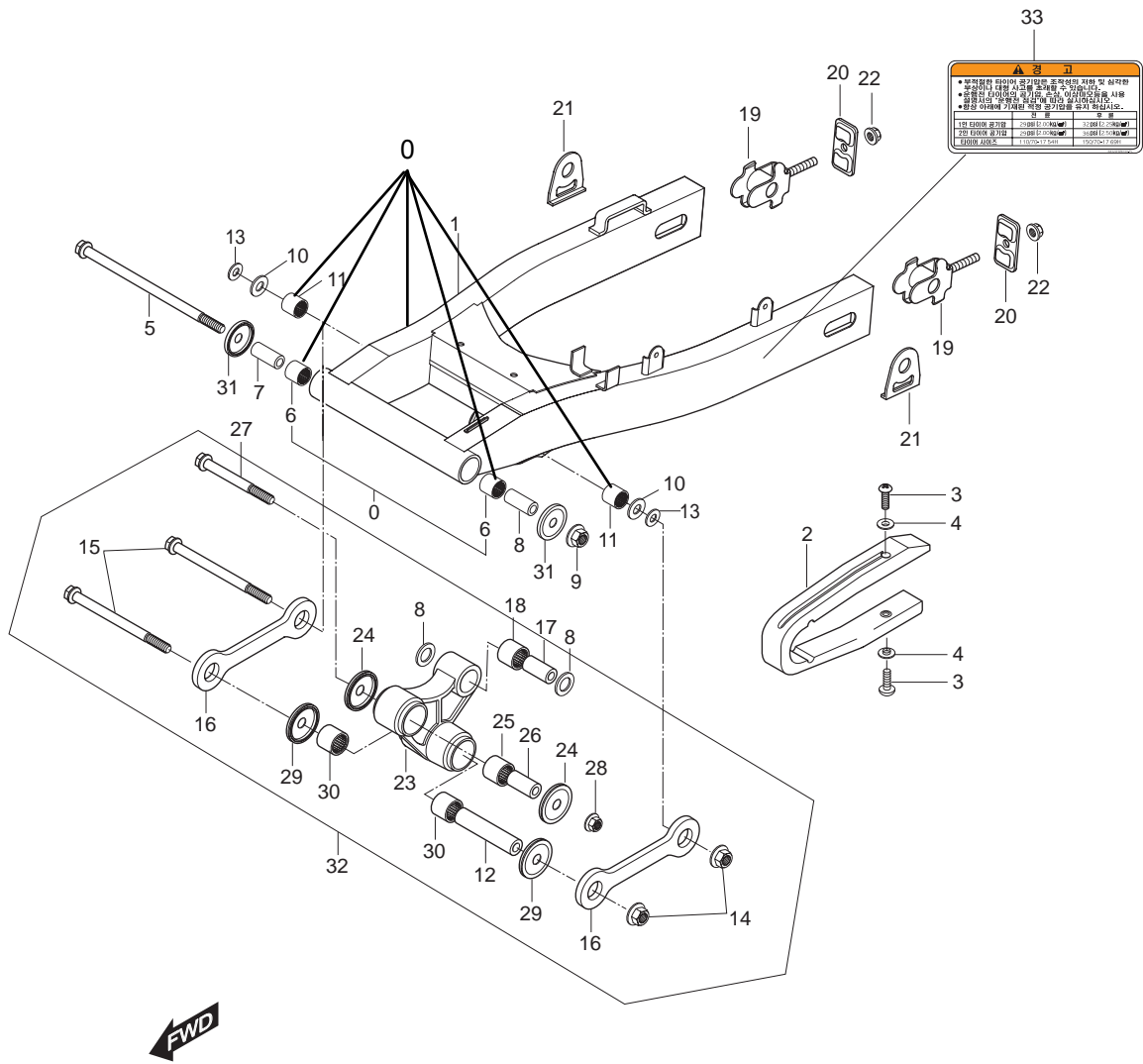
FIG 43



# FIG 43. SWINGING ARM

REF. PARTS NO.							PARTS NAME	Q'TY	REMARKS	REC. Q'TY (PCS)
NO.	DOMESTIC	MAT01	MEN01	MEU01	MG01	NUS01				
0	61100HM8105HPA	61100HM8105HPA	61100HM8105HPA	61100HM8105HPA	61100HM8105HPA	61100HM8105HPA	REAR SWING ARM ASS`Y	1		
1	61100HM8105	61100HM8105	61100HM8105	61100HM8105	61100HM8105	61100HM8105	SWING ARM COMP, rear	1		5
2	61273HM8101	61273HM8101	61273HM8101	61273HM8101	61273HM8101	61273HM8101	BUFFER, chain touch defense	1		5
3	02142-06166	02142-06166	02142-06166	02142-06166	02142-06166	02142-06166	BOLT, chain touch defense buf	2		
4	09169-06032	09169-06032	09169-06032	09169-06032	09169-06032	09169-06032	WASHER, chain touch defense	2		
5	61211HM8100	61211HM8100	61211HM8100	61211HM8100	61211HM8100	61211HM8100	SHAFT, rear swingarm pivot	1		5
6	09263-22017	09263-22017	09263-22017	09263-22017	09263-22017	09263-22017	BEARING, rear swingarm pivc	2		
7	61251HM8100	61251HM8100	61251HM8100	61251HM8100	61251HM8100	61251HM8100	SPACER, rear swingarm pivot	2		
8	09284H32001	09284H32001	09284H32001	09284H32001	09284H32001	09284H32001	SEAL, rear cushion rod	2		
9	08319-31128	08319-31128	08319-31128	08319-31128	08319-31128	08319-31128	NUT, rear swingarm pivot	1		
10	09283-20031	09283-20031	09283-20031	09283-20031	09283-20031	09283-20031	SEAL, rear cushion rod	2		
11	09263H20003	09263H20003	09263H20003	09263H20003	09263H20003	09263H20003	BEARING, rear cushion rod	2		
12	09180H14001	09180H14001	09180H14001	09180H14001	09180H14001	09180H14001	SPACER, rear cushion rod	1		
13	09284H32001	09284H32001	09284H32001	09284H32001	09284H32001	09284H32001	SEAL, rear cushion rod	2		
14	09159H14008	09159H14008	09159H14008	09159H14008	09159H14008	09159H14008	NUT, rear cushion rod	2		
15	09103H14001	09103H14001	09103H14001	09103H14001	09103H14001	09103H14001	BOLT, rear cushion rod	2		
16	62641HM8100	62641HM8100	62641HM8100	62641HM8100	62641HM8100	62641HM8100	ROD, rear cushion lever	2		
17	09180H10073	09180H10073	09180H10073	09180H10073	09180H10073	09180H10073	SPACER, rear cushion lever re	1		
18	09263H17002	09263H17002	09263H17002	09263H17002	09263H17002	09263H17002	BEARING, rear cushion lever 1	1		
19	61410HJ8200	61410HJ8200	61410HJ8200	61410HJ8200	61410HJ8200	61410HJ8200	ADJUSTER COMP, chain	2		
20	61421-01D00	61421-01D00	61421-01D00	61421-01D00	61421-01D00	61421-01D00	PLATE, chain adjuster guide	2		
21	64712HJ8200	64712HJ8200	64712HJ8200	64712HJ8200	64712HJ8200	64712HJ8200	WASHER, chain adjuster	2		
22	08316-26108	08316-26108	08316-26108	08316-26108	08316-26108	08316-26108	NUT, chain adjuster	2		
23	62611HG5800	62611HG5800	62611HG5800	62611HG5800	62611HG5800	62611HG5800	LEVER, rear cushion	1		
24	09284H33003	09284H33003	09284H33003	09284H33003	09284H33003	09284H33003	DUST SEAL, rear cushion leve	2		
25	09263-20073	09263-20073	09263-20073	09263-20073	09263-20073	09263-20073	BEARING, rear cushion lever 1	1		
26	09180H12001	09180H12001	09180H12001	09180H12001	09180H12001	09180H12001	SPACER, rear cushion lever fr	2		

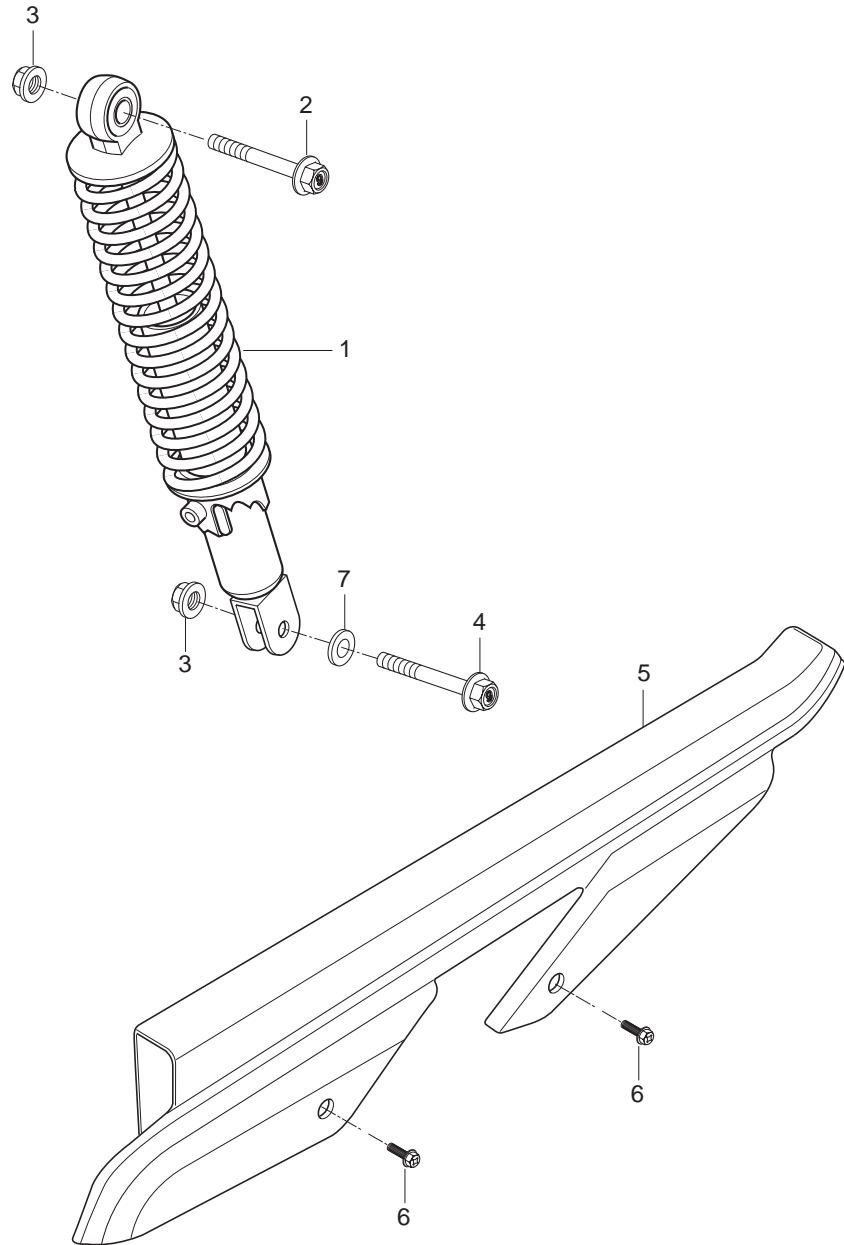
FIG 43



# FIG 43. SWINGING ARM

REF. PARTS NO.							PARTS NAME	Q'TY	REMARKS	REC. Q'TY (PCS)
NO.	DOMESTIC	MAT01	MEN01	MEU01	MG01	NUS01				
27	09103H12046	09103H12046	09103H12046	09103H12046	09103H12046	09103H12046	BOLT, rear cushion lever front	1		
28	08319-31128	08319-31128	08319-31128	08319-31128	08319-31128	08319-31128	NUT, rear cushion lever front	1		
29	09284H32001	09284H32001	09284H32001	09284H32001	09284H32001	09284H32001	SEAL, rear cushion lever cente	2		
30	09263H20003	09263H20003	09263H20003	09263H20003	09263H20003	09263H20003	BEARING, rear cushion lever c	2		
31	61262-45002	61262-45002	61262-45002	61262-45002	61262-45002	61262-45002	COVER, rear swingarm pivot	2		
32	62611HG5800HPA	62611HG5800HPA	62611HG5800HPA	62611HG5800HPA	62611HG5800HPA	62611HG5800HPA	LEVER ASS'Y,rear cushion	1		
33	68320HM8100PL	68320HM8150PL	68320HM8150PL	68320HM8150PL	68320HM8160PL	68320HM8150PL	LABEL,chain case	1		10

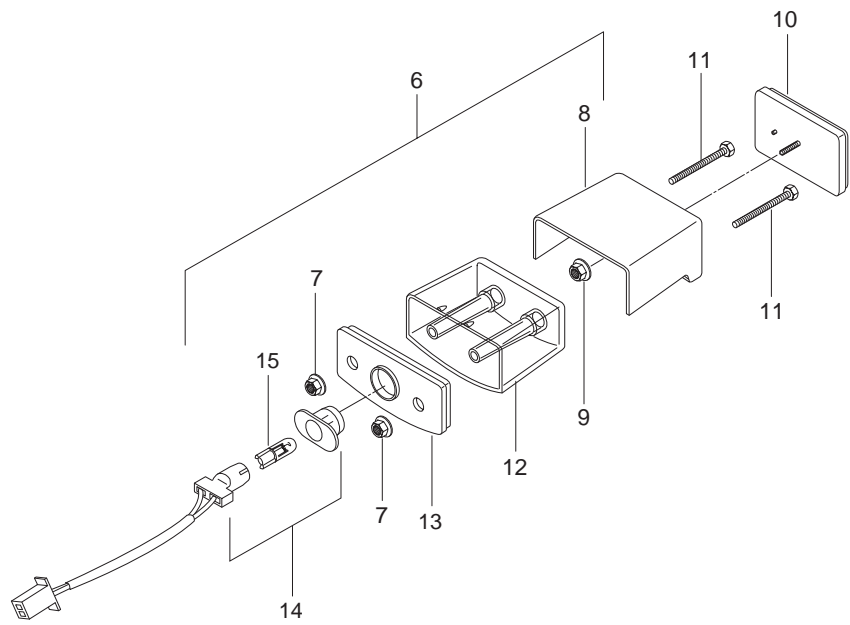
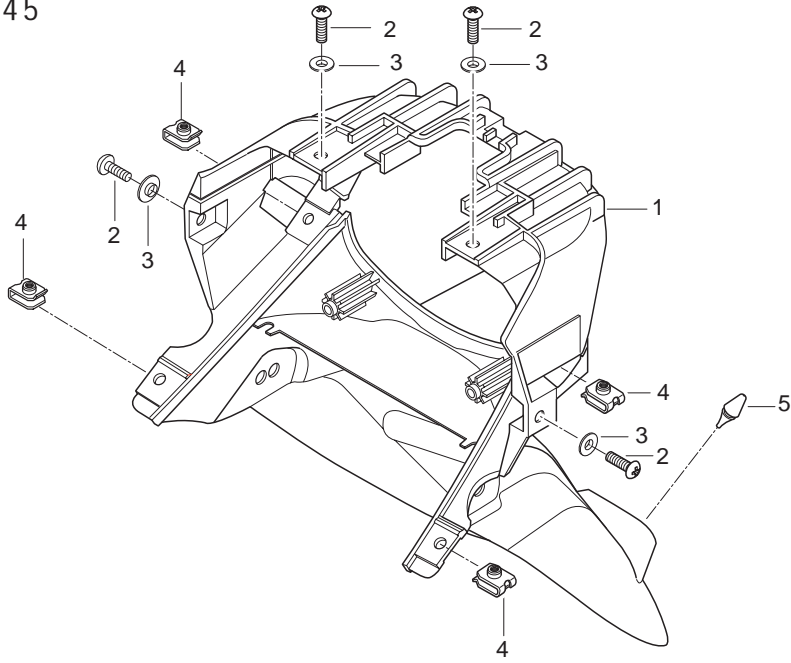
FIG 44



# FIG 44. REAR SHOCK ABSORBER

REF. PARTS NO.							PARTS NAME	Q'TY	REMARKS	REC. Q'TY (PCS)
NO.	DOMESTIC	MAT01	MEN01	MEU01	MG01	NUS01				
1	62100HM8101	62100HM8101	62100HM8101	62100HM8101	62100HM8101	62100HM8101	SHOCK ABSORBER ASS'Y,	1		5
2	09103H10101	09103H10101	09103H10101	09103H10101	09103H10101	09103H10101	BOLT, rear shock absorber up	1		
3	08319-31108	08319-31108	08319-31108	08319-31108	08319-31108	08319-31108	NUT, rear shock absorber uppe	2		
4	09103H10101	09103H10101	09103H10101	09103H10101	09103H10101	09103H10101	BOLT, rear shock absorber low	1		
5	61310HM8102	61310HM8102	61310HM8102	61310HM8102	61310HM8102	61310HM8102	CASE COMP, chain	1		5
6	09111H06066	09111H06066	09111H06066	09111H06066	09111H06066	09111H06066	BOLT, chain case	2		
7	09160-10001	09160-10001	09160-10001	09160-10001	09160-10001	09160-10001	WASHER, rear shock absorber	1		

FIG 45



# FIG 45. REAR FENDER

REF. PARTS NO.							PARTS NAME	Q'TY	REMARKS	REC. Q'TY (PCS)
NO.	DOMESTIC	MAT01	MEN01	MEU01	MG01	NUS01				
1	63111HM810112A	63111HM810112A	63111HM810112A	63111HM810112A	63111HM810112A	63111HM810112A	FENDER, rear	1		10
2	02142-06166	02142-06166	02142-06166	02142-06166	02142-06166	02142-06166	SCREW, rr fender	4		
3	09169-06032	09169-06032	09169-06032	09169-06032	09169-06032	09169-06032	WASHER, rr fender	4		
4	09148-05039	09148-05039	09148-05039	09148-05039	09148-05039	09148-05039	NUT, rr fender	4		
5	09321-06023	09321-06023	09321-06023	09321-06023	09321-06023	09321-06023	CUSHION, license plate	2		
6	35910HM8100	35910HG5150	35910HG5150	35910HG5150	35910HG5150	35910HG5150	LAMP ASS`Y, license plate	1		
7	08316-26055	08316-26055	08316-26055	08316-26055	08316-26055	08316-26055	NUT, license lamp(M5)	2		
8	35915HG5800	35915HG5800	35915HG5800	35915HG5800	35915HG5800	35915HG5800	COVER, license lamp	1		
9	08316-26055	08316-26055	08316-26055	08316-26055	08316-26055	08316-26055	NUT, rear reflex reflector	1		
10	35970-17303	35970-17303	35970-17303	35970-17303	35970-17303	35970-17303	REFLEX REFLECTOR ASS`Y	1		5
11	01107-05605	01107-05605	01107-05605	01107-05605	01107-05605	01107-05605	BOLT, license lamp	2		
12	35911HG5800	35911HG5800	35911HG5800	35911HG5800	35911HG5800	35911HG5800	LENS, license	1		
13	35912HG5800	35912HG5800	35912HG5800	35912HG5800	35912HG5800	35912HG5800	HOUSING, license	1		
14	35916HG5800	35916HG5800	35916HG5800	35916HG5800	35916HG5800	35916HG5800	CORD ASS`Y	1		
15	09471-12210	09471-12210	09471-12210	09471-12210	09471-12210	09471-12210	BULB, license lamp(12V/5W)	1		





# FIG 46. REAR WHEEL

REF. PARTS NO.							PARTS NAME	Q`TY	REMARKS	REC. Q'TY (PCS)
NO.	DOMESTIC	MAT01	MEN01	MEU01	MG01	NUS01				
0	64140SM8100HPA	64140SM8100HPA	64140SM8100HPA	64140SM8100HPA	64140SM8100HPA	64140SM8100HPA	WHEEL + TIRE REAR ASS`Y	1		
1	64150HM8102HPA	64150HM8102HPA	64150HM8102HPA	64150HM8102HPA	64150HM8102HPA	64150HM8102HPA	WHEEL COMP, rear	1		
1-1	64150HM8103	64150HM8103	64150HM8103	64150HM8103	64150HM8103	64150HM8103	WHEEL COMP, rear(J17x MT	1		5
2	65101HM8100	65101HM8100	65101HM8100	65101HM8100	65101HM8100	65101HM8100	TIRE COMP, rear(150/70-17 6	1		5
3	55220-41D10	55220-41D10	55220-41D10	55220-41D10	55220-41D10	55220-41D10	VALVE ASS`Y, wheel rim	1		
4	64711HM8102	64711HM8102	64711HM8102	64711HM8102	64711HM8102	64711HM8102	AXLE, rear	1		5
5	09159H16002	09159H16002	09159H16002	09159H16002	09159H16002	09159H16002	NUT, rear axle	1		
6	64741HM8100	64741HM8100	64741HM8100	64741HM8100	64741HM8100	64741HM8100	SPACER, rear axle R	1		
7	64751HM8100	64751HM8100	64751HM8100	64751HM8100	64751HM8100	64751HM8100	SPACER, rear axle L(46T)	1		
8	64611HM810203P	64611HM810203P	64611HM810203P	64611HM810203P	64611HM810203P	64611HM810203P	DRUM, rear sprocket mounting	1		5
8~1			64611HM8170120	64611HM8170120	64611HM8170120		DRUM, rear sprocket mounting	1	KM4MJ51B261103612~	5
9	64511HM8102	64511HM8102	64511HM8102	64511HM8102	64511HM8102	64511HM8102	SPROCKET, rear	1		10
10	64733HM8100	64733HM8100	64733HM8100	64733HM8100	64733HM8100	64733HM8100	RETAINER, rear sprocket drur	1		5
11	01517-08358	01517-08358	01517-08358	01517-08358	01517-08358	01517-08358	BOLT, rear sprocket	6		
12	08319-31088	08319-31088	08319-31088	08319-31088	08319-31088	08319-31088	NUT, rear sprocket	6		
13	09285-28001	09285-28001	09285-28001	09285-28001	09285-28001	09285-28001	OIL SEAL, rear sprocket moun	1		
14	08133-62047	08133-62047	08133-62047	08133-62047	08133-62047	08133-62047	BEARING, rear sprocket moun	1		
15	09169-10013	09169-10013	09169-10013	09169-10013	09169-10013	09169-10013	WASHER, rear sprocket	3	NOT SALE	
16	64651HM8101	64651HM8101	64651HM8101	64651HM8101	64651HM8101	64651HM8101	SHOCK ABSORBER, rear wh	6		30
17	64731HM8100	64731HM8100	64731HM8100	64731HM8100	64731HM8100	64731HM8100	SPACER, rear wheel bearing	1		
18	08133-62037	08133-62037	08133-62037	08133-62037	08133-62037	08133-62037	BEARING, rear wheel L	1		3
19	08133-62037	08133-62037	08133-62037	08133-62037	08133-62037	08133-62037	BEARING, rear wheel R	1		3
20	09280-55001	09280-55001	09280-55001	09280-55001	09280-55001	09280-55001	O-RING, rear brake	1		
21	69211HM8101	69211HM8101	69211HM8101	69211HM8101	69211HM8101	69211HM8101	DISK, rear brake	1		10
22	59421-03A01	59421-03A01	59421-03A01	59421-03A01	59421-03A01	59421-03A01	BOLT, rear brake disk	6		
23	64712HJ8200	64712HJ8200	64712HJ8200	64712HJ8200	64712HJ8200	64712HJ8200	WASHER, chain adjuster R	1		
24	64712HJ8200	64712HJ8200	64712HJ8200	64712HJ8200	64712HJ8200	64712HJ8200	WASHER, chain adjuster L	1		
25	69340HM810303P	69340HM810303P	69340HM810303P	69340HM810303P	69340HM810303P	69340HM810303P	CARRIER, caliper	1		
25~1			69340HM8170120	69340HM8170120	69340HM8170120		CARRIER, caliper	1	KM4MJ51B261103612~	



# FIG 47. REAR CALIPER

REF. PARTS NO.							PARTS NAME	Q'TY	REMARKS	REC. Q'TY (PCS)
NO.	DOMESTIC	MAT01	MEN01	MEU01	MG01	NUS01				
0	69300HN9101	69300HN9101	69300HN9101	69300HN9101	69300HN9101	69300HN9101	CALIPER ASS`Y, rear	1	~KM4MJ51B051103399	5
0~1	69300HP9500	69300HP9500	69300HP9500	69300HP9500	69300HP9500	69300HP9500	CALIPER ASS`Y, rear	1	KM4MJ51B051103400~	5
1	09103H08254	09103H08254	09103H08254	09103H08254	09103H08254	09103H08254	BOLT, caliper	2		
2	59300HG5800	59300HG5800	59300HG5800	59300HG5800	59300HG5800	59300HG5800	PAD SET(7.4t)	1	~KM4MJ51B951103429	
2-1	59301HP9500	59301HP9500	59301HP9500	59301HP9500	59301HP9500	59301HP9500	PAD SET(8.4t)	1	KM4MJ51B951103430 ~	5