



REFERENCE

1.The detailed specification of each model are referred by the persons who are in charge of overseas marketing team, Hyosung.

2.Special demand

When you order any colored parts, please add color code to the end of parts number and it will be helpful to register your parts order.

※ Color Code

DR : RED

MO : YELLOW

SBK : BLACK

HYOSUNG MOTORS & MACHINERY INC.

FIG 1-1

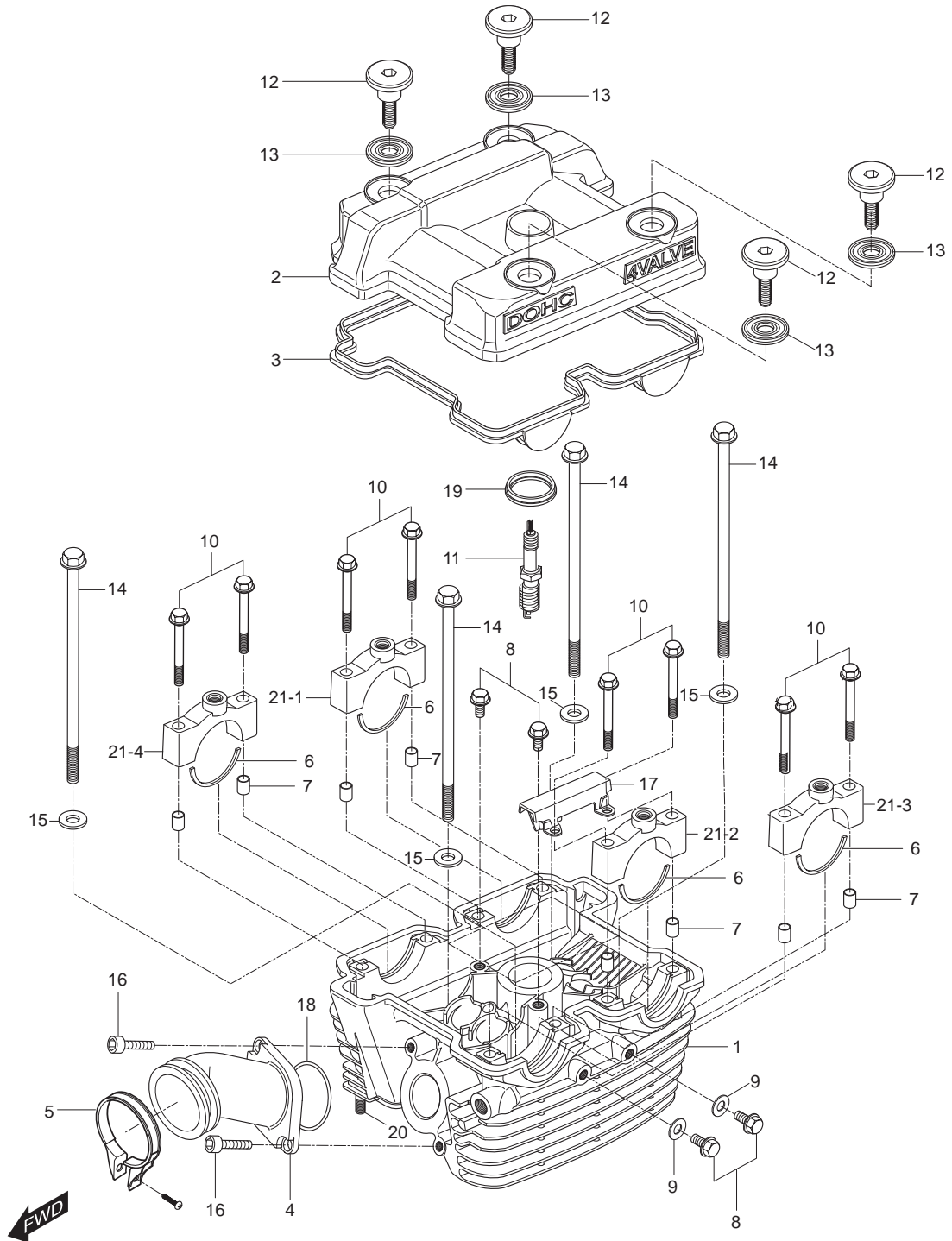


FIG 1-1. CYLINDER HEAD/ (FRONT)

REF.	PARTS NAME		Q`TY	REMARKS	REC.Q`TY / 100 Units
NO.	RAT01	REU01			(PCS)
1	11110SM8100HPA	11110SM8100HPA	HEAD ASS'Y, cylinder	1	6
2	11171HG510203S	11171HG510203S	COVER, cylinder head	1	6
3	11173HG5100	11173HG5100	GASKET, cylinder head cover NO.1	1	20
4	13110HM8102	13110HM8102	PIPE COMP, intake front	1	5
5	09402-44207	09402-44207	CLAMP, carburetor	1	10
6	09390-35001	09390-35001	C-RING, camshaft	4	
7	09206-08001	09206-08001	PIN, camshaft housing knock	8	
8	01517-06128	01517-06128	BOLT, oil galley(M6X12)	4	
9	09168H06019	09168H06019	GASKET, oil galley bolt	2	
10	09103-06013	09103-06013	BOLT, camshaft housing(M6X20)	8	36
11	09482-00456	09482-00456	PLUG, spark CR8E	1	20
12	09109H07018	09109H07018	BOLT, cylinder head cover(M7X17)	4	
13	09161H11008	09161H11008	WASHER, cylinder head cover	4	24
14	09103H08306	09103H08306	BOLT, cylinder head(L=130)	4	24
15	09168-08021	09168-08021	GASKET, cylinder head bolt	4	40
16	09119H06002	09119H06002	BOLT, intake pipe(M6X16)	2	
17	12782-35C00	12782-35C00	GUIDE, camchain NO.2	1	
18	09280H34000	09280H34000	O-RING, intake pipe	1	8
19	11178-17E00	11178-17E00	GASKET, cylinder head cover NO.2	1	10
20	01421-06258	01421-06258	BOLT, cylinder head stud(M6x25)	3	
21-1	11121-35C00PCH	11121-35C00PCH	HOUSING, camshaft No.1	1	
21-2	11122-35C00PCH	11122-35C00PCH	HOUSING, camshaft No.2	1	
21-3	11123-35C00PCH	11123-35C00PCH	HOUSING, camshaft No.3	1	
21-4	11124-35C00PCH	11124-35C00PCH	HOUSING, camshaft No.4	1	

FIG 1-2

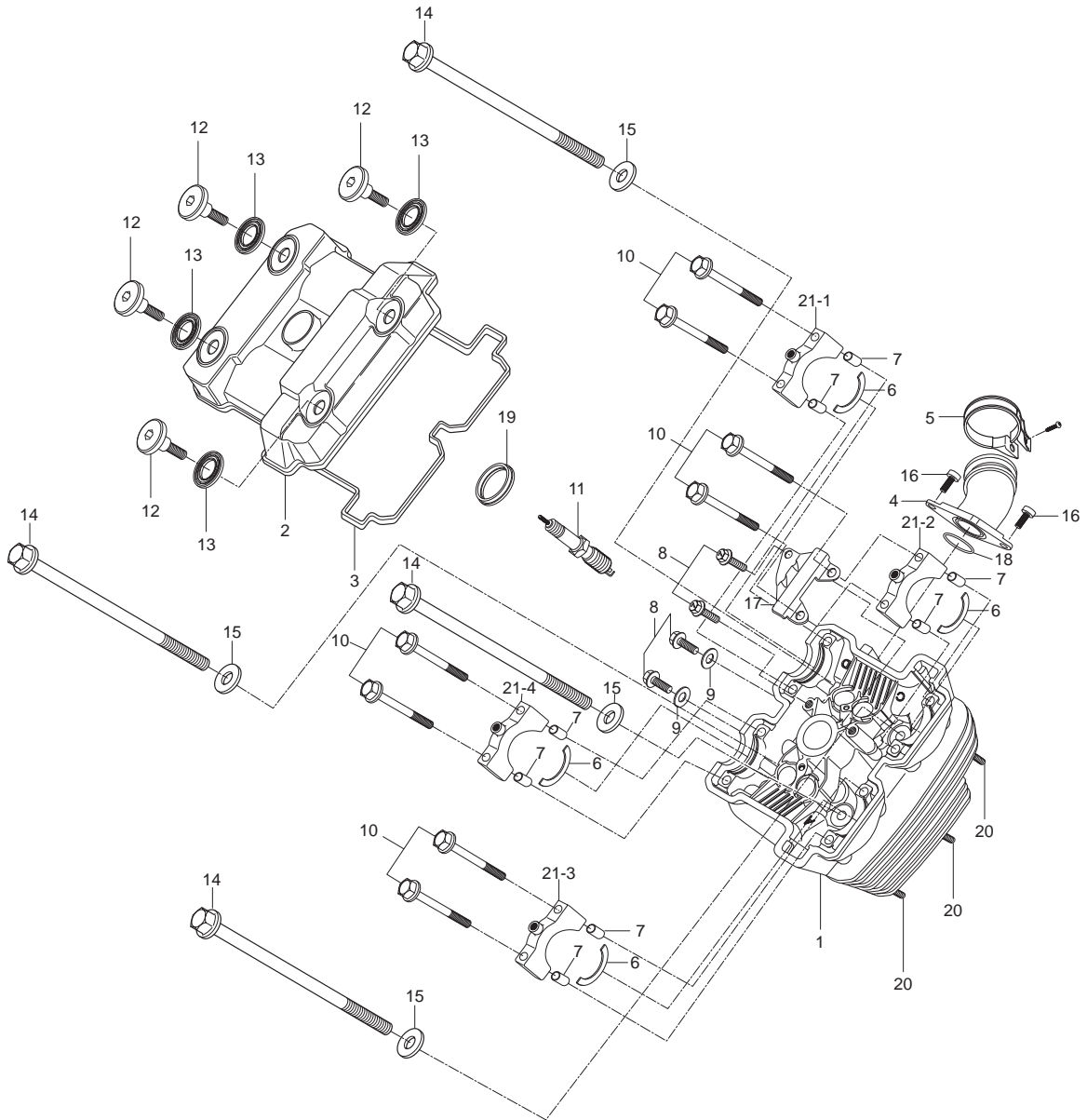


FIG 1-2. CYLINDER HEAD/ (REAR)

REF.	PARTS NAME		Q'TY	REMARKS	REC. Q'TY
NO.	RAT01	REU01			(PCS)
1	11110SM8100HPA	11110SM8100HPA	HEAD ASS'Y, cylinder	1	
2	11171HG510203S	11171HG510203S	COVER, cylinder head	1	
3	11173HG5100	11173HG5100	GASKET, cylinder head cover NO.1	1	
4	13120HM8101	13120HM8101	PIPE COMP, intake rear	1	5
5	09402-44207	09402-44207	CLAMP, carburetor	1	
6	09390-35001	09390-35001	C-RING, camshaft	4	24
7	09206-08001	09206-08001	PIN, camshaft housing knock	8	
8	01517-06128	01517-06128	BOLT, oil galley(M6X12)	4	
9	09168H06019	09168H06019	GASKET, oil galley bolt	2	40
10	09103-06013	09103-06013	BOLT, camshaft housing(M6X20)	8	
11	09482-00456	09482-00456	PLUG, spark CR8E	1	
12	09109H07018	09109H07018	BOLT, cylinder head cover(M7X17)	4	24
13	09161H11008	09161H11008	WASHER, cylinder head cover	4	
14	09103H08306	09103H08306	BOLT, cylinder head(L=130)	4	
15	09168-08021	09168-08021	GASKET, cylinder head bolt	4	
16	09119H06002	09119H06002	BOLT, intake pipe(M6X16)	2	
17	12782-35C00	12782-35C00	GUIDE, camchain NO.2	1	8
18	09280H34000	09280H34000	O-RING, intake pipe	1	
19	11178-17E00	11178-17E00	GASKET, cylinder head cover NO.2	1	
20	01421-06258	01421-06258	BOLT, cylinder head stud(M6x25)	3	
21-1	11121-35C00PCH	11121-35C00PCH	HOUSING, camshaft No.1	1	
21-2	11122-35C00PCH	11122-35C00PCH	HOUSING, camshaft No.2	1	
21-3	11123-35C00PCH	11123-35C00PCH	HOUSING, camshaft No.3	1	
21-4	11124-35C00PCH	11124-35C00PCH	HOUSING, camshaft No.4	1	

FIG 2

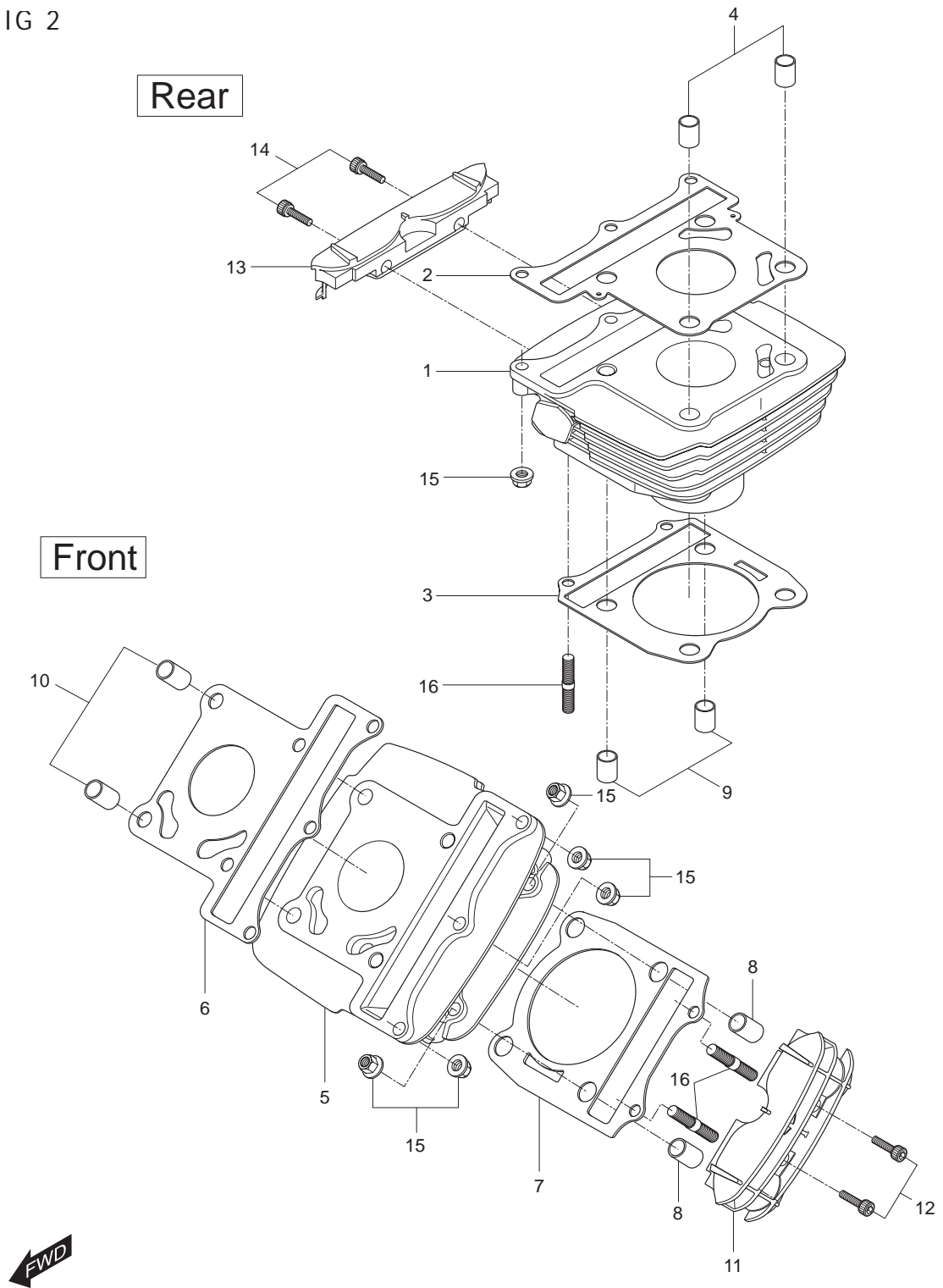


FIG 2. CYLINDER/FRONT, REAR

REF.	PARTS NAME		Q'TY	REMARKS	REC. Q'TY
NO.	RAT01	REU01			(PCS)
1	11220HM8110PCY	11220HM8190PCY	1	CYLINDER COMP, rear	3
2	11141HJ8210	11141HJ8210	1	GASKET, cylinder head	20
3	11241HG5103	11241HG5103	1	GASKET, cylinder(NA)	20
4	04213-11169	04213-11169	2	PIN, cylinder head knock	12
5	11210HM8110PCY	11210HM8110PCY	1	CYLINDER COMP, front	3
6	11141HJ8210	11141HJ8210	1	GASKET, cylinder head	
7	11241HG5103	11241HG5103	1	GASKET, cylinder	
8	04213-11149	04213-11149	2	KNOCK PIN, cylinder	4
9	04213-11149	04213-11149	2	KNOCK PIN, cylinder	4
10	04213-11169	04213-11169	2	PIN, cylinder head knock	4
11	11251HG510003S	11251HG510003S	1	FIN, cylinder(FRONT)	6
12	07110-05168	07110-05168	2	BOLT, cylinder fin(FRONT)(M5×1	12
13	11251HG510003S	11251HG510003S	1	FIN, cylinder(REAR)	
14	07110-05168	07110-05168	2	BOLT, cylinder fin(REAR)(M5×16)	
15	08316-16068	08316-16068	10	NUT, cylinder head(M6)	30
16	01421-06258	01421-06258	4	BOLT, cylinder stud(M6×25)	

FIG 3

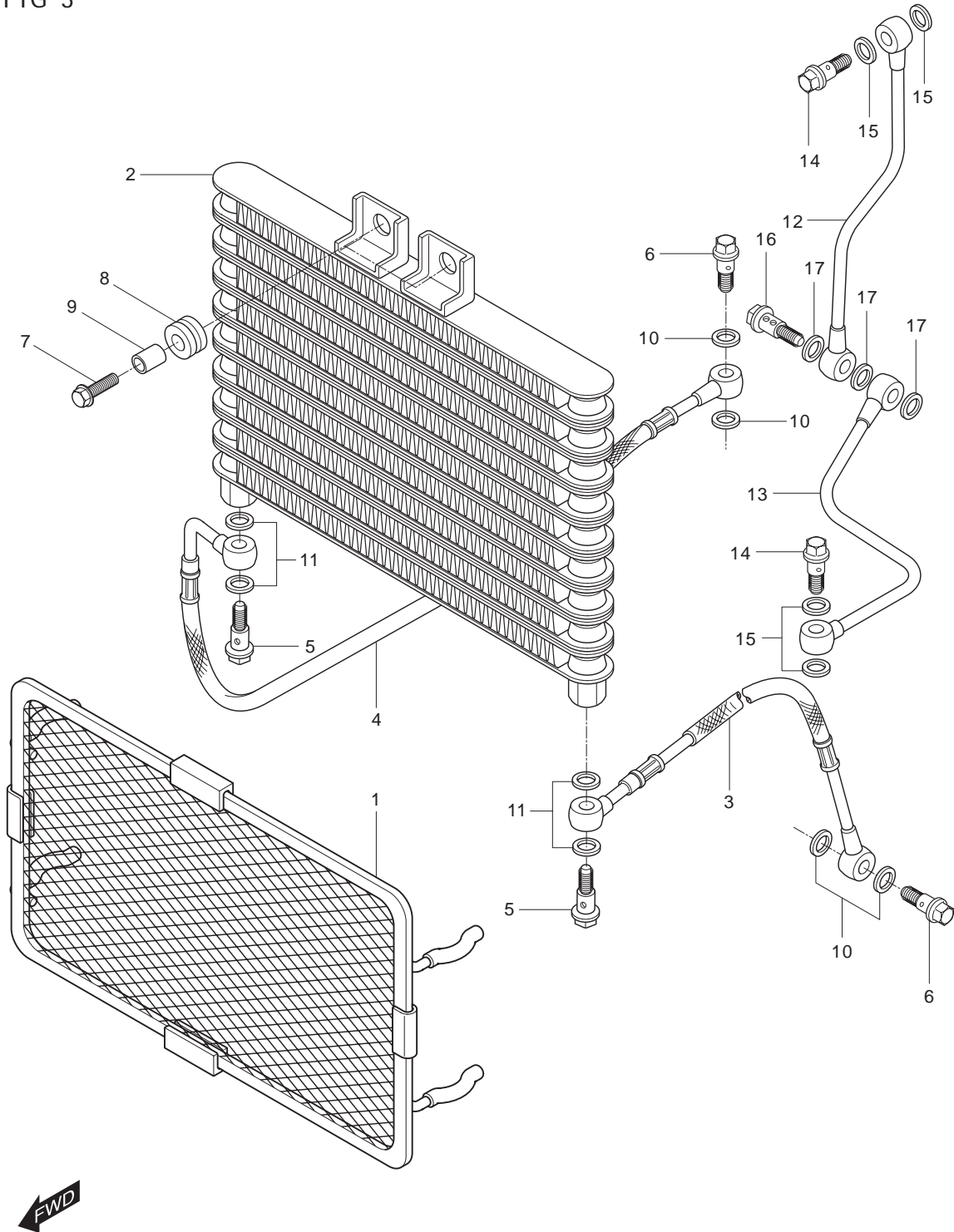


FIG 3. OIL COOLER

REF.	PARTS NAME		Q'TY	REMARKS	REC. Q'TY
NO. RAT01	REU01				(PCS)
1	16810HJ8201	16810HJ8201	GRILLE COMP, oil cooler NO.1	1	5
2	16600HJ8200	16600HJ8200121	COOLER ASS'Y, oil	1	5
3	16460HG5120	16460HG5120	HOSE COMP, oil cooler NO.1	1	5
4	16470HJ8200	16470HJ8200	HOSE COMP, oil cooler NO.2	1	5
5	09360H12007	09360H12007	BOLT, oil cooler hose union NO.2(1	2	10
6	09360H10034	09360H10034	BOLT, oil cooler hose union NO.1(1	2	20
7	09116-06143	09116-06143	BOLT, oil cooler(M6×14)	2	~KM4MJ51E961100120
7~1	01104-06256	01104-06256	BOLT, oil cooler(M6×14)	2	KM4MJ51E961100121~
8	09320-10015	09320-10015	CUSHION, oil cooler	2	
9	09180-06030	09180-06030	SPACER, oil cooler	2	
10	09161-10009	09161-10009	GASKET, oil cooler NO.1	4	55
11	09168-14011	09168-14011	GASKET, oil cooler NO.2	4	16
12	11280HG5101	11280HG5101	PIPE COMP, oil front	1	3
13	11290HG5101	11290HG5101	PIPE COMP, oil rear	1	3
14	09360H10034	09360H10034	UNION BOLT, oil pipe upper(M10:	2	
15	09161-10009	09161-10009	GASKET, oil pipe upper	4	
16	15331HG5101	15331HG5101	UNION BOLT, oil pipe lower	1	5
17	09161-10009	09161-10009	GASKET, oil pipe lower	3	
18	09160-06057	09160-06057	WASHER, OIL COOLER	2	KM4MJ51E961100121~

FIG 4

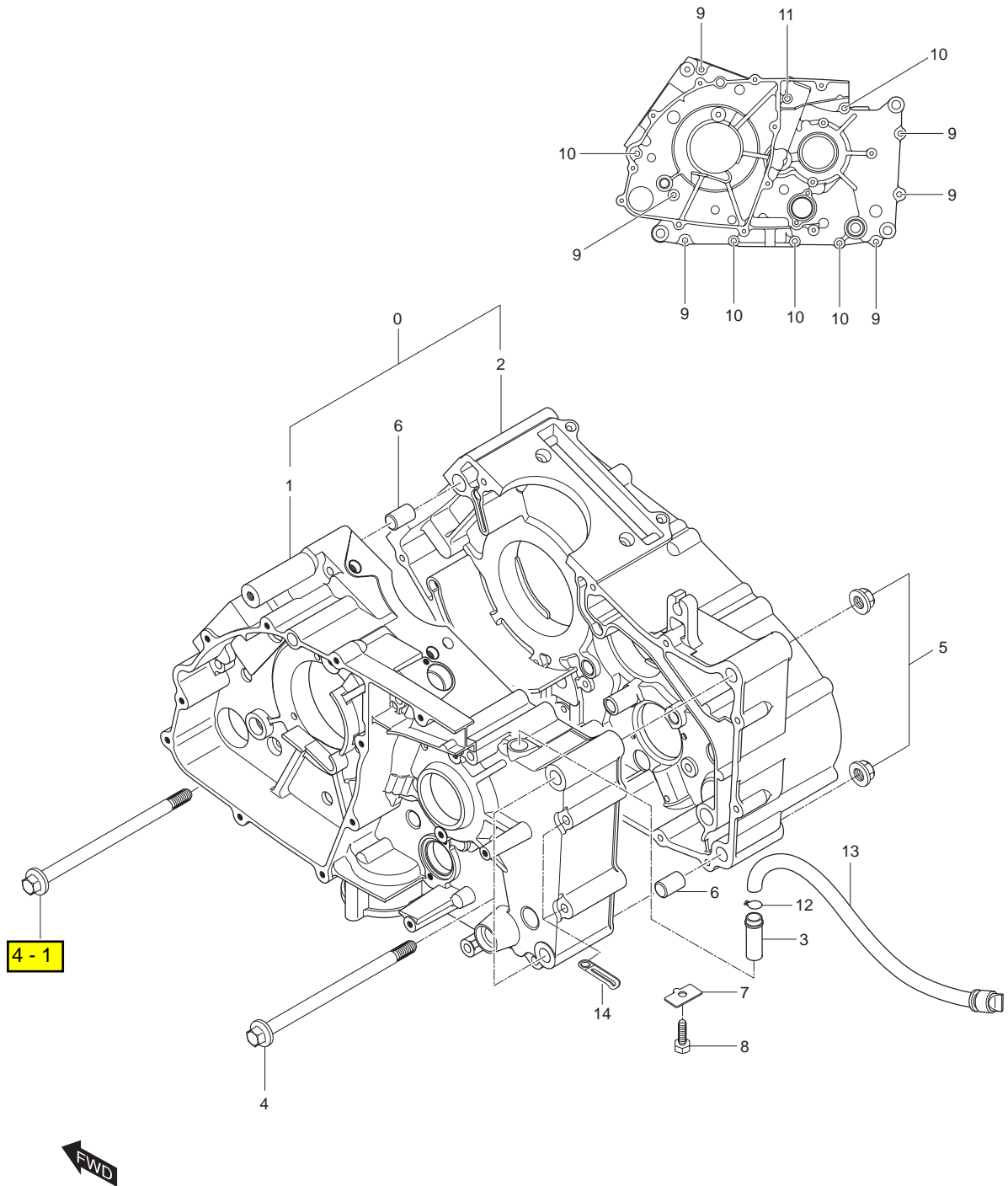


FIG 4. CRANK CASE

REF.	PARTS NAME		Q`TY	REMARKS	REC. Q`TY
NO.	RAT01	REU01			(PCS)
0	11300HM8100HPA	11300HM8100HPA	1	CRANK CASE ASS'Y	
1	11320HM8100PCC	11320HM8100PCC	1	CRANK CASE COMP, L	1
2	11310HM8100PCC	11310HM8100PCC	1	CRANK CASE COMP, R	1
3	09364-12001	09364-12001	1	UNION, breather hose	
4	09103H10022	09103H10022	3	BOLT, frame & engine(L=110)	2
4-1	09103H10099	09103H10099	1	BOLT, FM & E/G FT	2
5	08319-31108	08319-31108	3	NUT, frame & engine(M10)	12
6	04213-13189	04213-13189	2	PIN, crank case knock	
7	11319-05200	11319-05200	1	PLATE, oil gallery plug	
8	01107-06106	01107-06106	1	BOLT, oil gallery plug plate(M6×10)	
9	01547-06558	01547-06558	6	BOLT, crank case(M6×55)	
10	01547-06808	01547-06808	5	BOLT, crank case(M6×80)	
11	02112-06908	02112-06908	1	SCREW, crank case(M6×90)	
12	09401-14301	09401-14301	1	CLIP, breather drain cap	
13	13870H29B00	13870H29B00	1	CAP COMP,breather drain	
14	09404-06404	09404-06404	2	CLAMP, crank case	

FIG 5

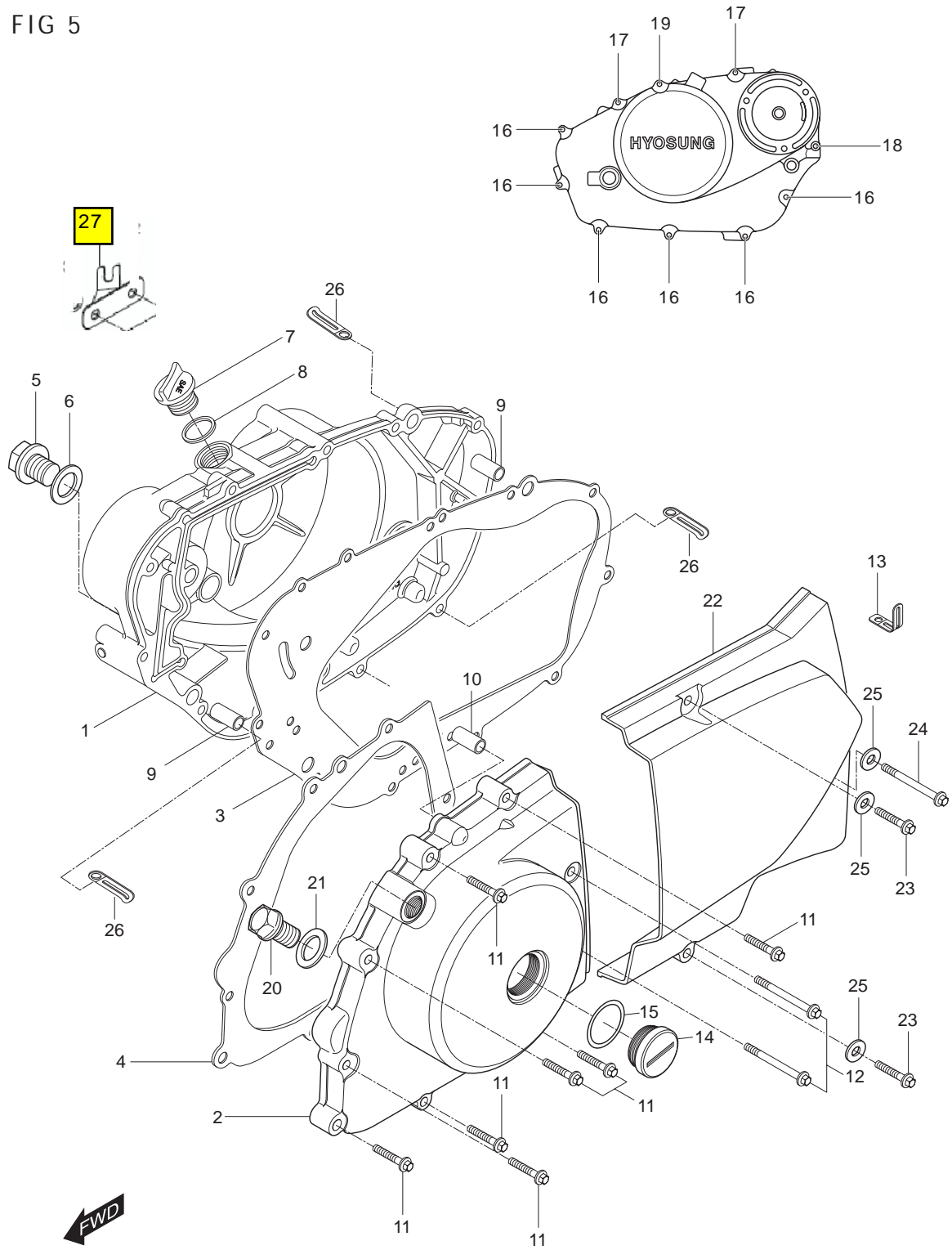


FIG 5. CRANK CASE COVER

REF.	PARTS NAME		Q'TY	REMARKS	REC. Q'TY
NO.	RAT01	REU01			(PCS)
1	11341SM8100HPA	11341SM8100HPA	COVER COMP, clutch	1	2
2	11351HJ820203S	11351HJ820203S	COVER , magneto	1	2
3	11482HG5102	11482HG5102	GASKET, clutch cover(NA)	1	10
4	11483HG5102	11483HG5102	GASKET, magneto cover(NA)	1	10
5	09247-14026	09247-14026	PLUG, oil check	1	10
6	09168H14003	09168H14003	GASKET, oil check plug	1	30
7	09259-2000903S	09259-2000903S	PLUG, eng oil filler	1	2
8	09280-17003	09280-17003	O-RING, eng oil filler plug(16.8×2.4)	1	5
9	04213-13189	04213-13189	PIN, clutch cover knock	2	
10	04213-09129	04213-09129	PIN, magneto cover knock	1	
11	01547-06308	01547-06308	BOLT, magneto cover(M6×30)	7	6
12	01547-06708	01547-06708	BOLT, magneto cover(M6×55)	2	10
13	09403H09304	09403H09304	CLAMP, clutch cable	1	
14	09259-2601503S	09259-2601503S	PLUG, crank shaft hole	1	2
15	09280-22008	09280-22008	O-RING, crank shaft hole plug(22.7	1	5
16	01547-06258	01547-06258	BOLT, clutch cover(M6×25)	6	12
17	01547-06358	01547-06358	BOLT, clutch cover(M6×35)	2	6
18	01547-06608	01547-06608	BOLT, clutch cover(M6×60)	1	5
19	01547-06758	01547-06758	BOLT, clutch cover(M6×75)	1	5
20	09247H12102	09247H12102	PLUG, T.D.C	1	5
21	09168H12003	09168H12003	GASKET, T.D.C plug	1	5
22	11360HM810103S	11360HM810103S	COVER COMP, engine sprocket	1	5
23	01547-06308	01547-06308	BOLT, engine sprocket cover(M6×3	2	
24	01547-06408	01547-06408	BOLT, engine sprocket cover(M6×4	1	
25	08321-31068	08321-31068	WASHER, engine sprocket cover	3	
26	09404-06401	09404-06401	CLAMP, crank case	3	
27	13353HR8300	13353HR8300	BRACKET,CARBURETOR ADJU	1	~ KM4MJ51E361100436
27~1	13350HR8301	13350HR8301	BRACKET,CARBURETOR ADJU	1	KM4MJ51E361100437~
28	01547-06408	01547-06408	SCREW BODY SIDE COWLING	2	

FIG 6. CRANK SHAFT

REF.	PARTS NAME		Q'TY	REMARKS	REC. Q'TY
NO.	RAT01	REU01			(PCS)
1	12200HJ8200HPA	12200HJ8200HPA	1	CRANK SHAFT ASS'Y	
2	12161HJ8200	12161HJ8200	1	ROD, connecting	10
3	09263H30002	09263H30002	2	BEARING, crank pin(30×38×15.8)	10
4	12211HJ8202888	12211HJ8202888	1	PIN COMP, crank	5
5	12221HJ8203CSA	12221HJ8203CSA	1	CRANK SHAFT, R	
6	12261HJ8203CSA	12261HJ8203CSA	1	CRANK SHAFT, L	
7	09262H350A60A0	09262H350A60A0	1	BEARING, crank shaft, R(35×72×1	5
8	09262H350A60A0	09262H350A60A0	1	BEARING, crank shaft, L(35×72×1'	5
9	21111HJ8201	21111HJ8201	1	GEAR, primary drive	
10	21112HJ8200	21112HJ8200	1	GEAR, primary drive NO.2	
11	09421H05001	09421H05001	1	KEY, primary drive gear	
12	21114-35C00	21114-35C00	3	SPRING, primary drive gear	
13	09166H16021	09166H16021	1	WASHER, primary drive gear thrust	
14	09140-16019	09140-16019	1	NUT, primary drive gear(M16)	
15	09282-12001	09282-12001	1	SEAL, crank shaft oil rh(21×7)	7
16	12111HM8101PPS	12111HM8101PPS	1	PISTON, rear	
17	12151-30B00	12151-30B00	1	PIN, piston	14
18	09381-15001	09381-15001	2	CIRCLIP, piston pin	28
19	12140-16E00	12140-16E00	2	RING SET, piston	
20	12141-16E00	12141-16E00	1	RING, piston 1st	20
21	12142-16E00	12142-16E00	1	RING, piston 2nd	20
22	12144-16E00	12144-16E00	1	RING, piston oil	20
23	12161HJ8200	12161HJ8200	1	ROD, connecting	
24	12111HM8101PPS	12111HM8101PPS	1	PISTON, front	14
25	12151-30B00	12151-30B00	1	PIN, piston	
26	09381-15001	09381-15001	2	CIRCLIP, piston pin	
27	12141-16E00	12141-16E00	1	RING, piston 1st	

NOT SALE

FIG 6

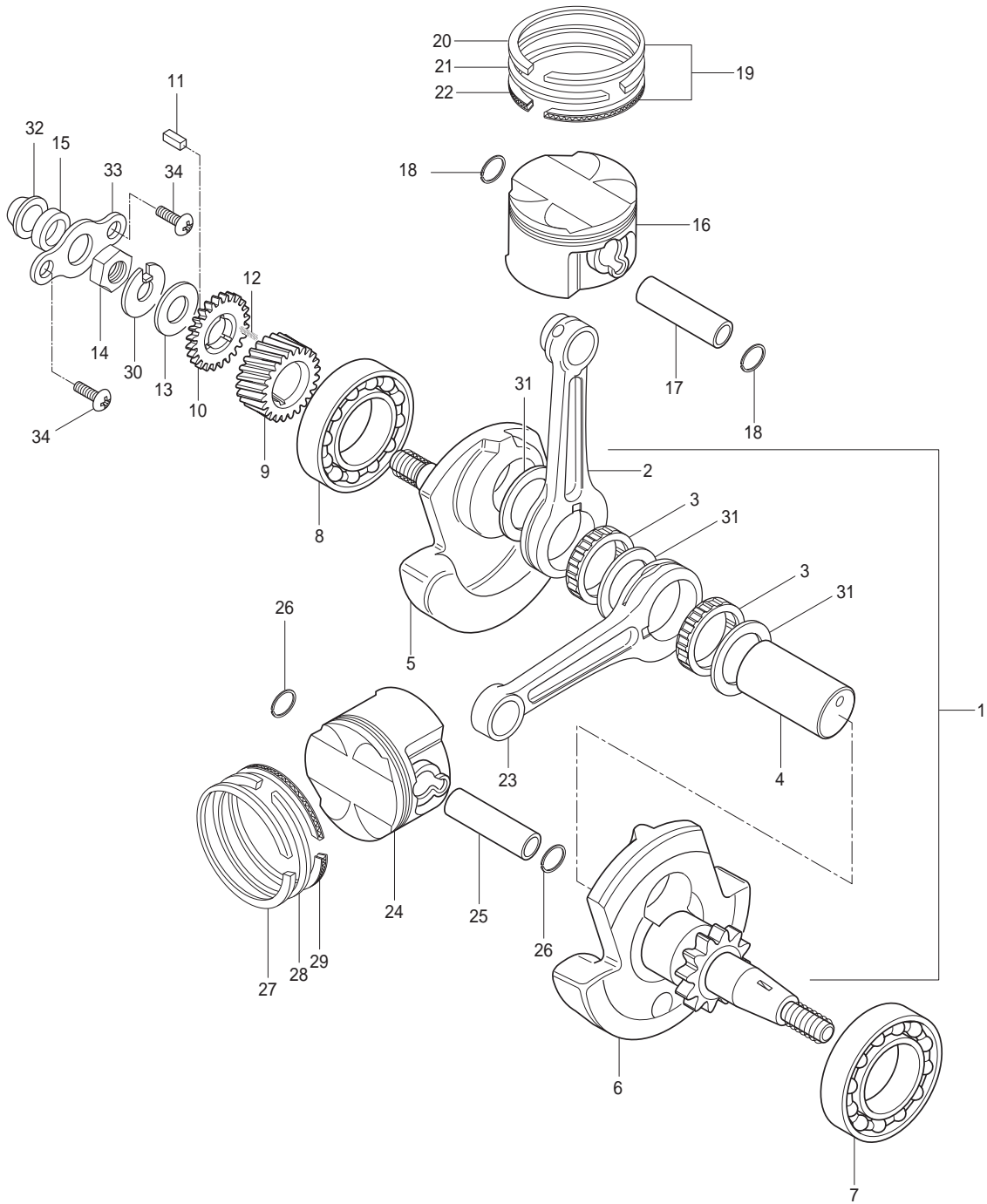


FIG 6. CRANK SHAFT

REF.	PARTS NAME		Q`TY	REMARKS	REC. Q`TY
NO.	RAT01	REU01			(PCS)
28	12142-16E00	12142-16E00		RING, piston 2nd	1
29	12144-16E00	12144-16E00		RING, piston oil	1
30	09166H16031	09166H16031		WASHER, primary drive gear lock	1
31	09160H30001	09160H30001		WASHER	3
32	11342HG5100	11342HG5100		JET	1
33	11343HG5100	11343HG5100		RETAINER	1
34	02112-06108	02112-06108		SCREW(M6×10)	2

FIG 7

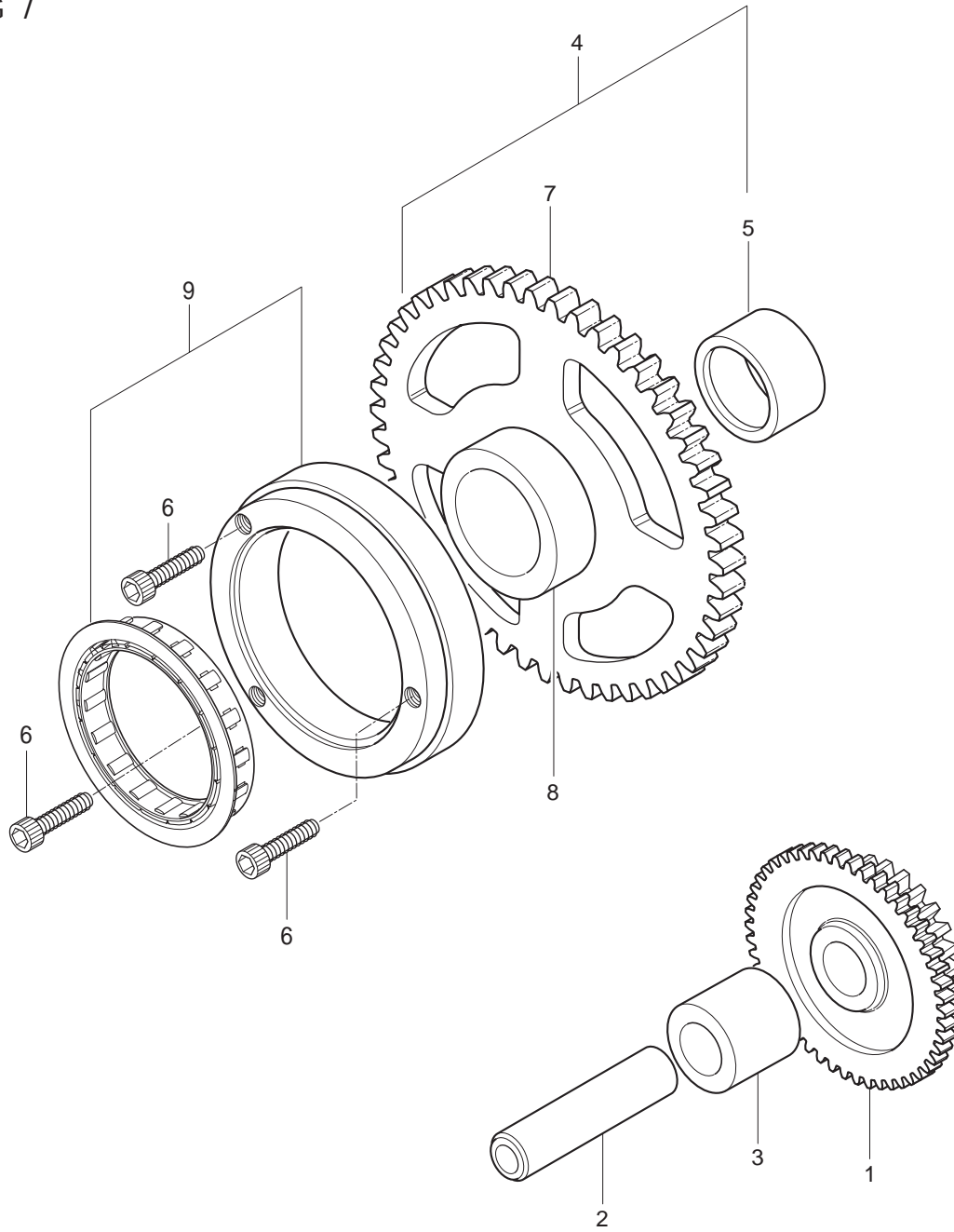


FIG 7. STARTER CLUTCH

REF.	PARTS NAME		Q`TY	REMARKS	REC. Q'TY
NO.	RAT01	REU01			(PCS)
1	12611HJ8200	12611HJ8200	1	GEAR, starter idle	
2	12612HG5100	12612HG5100	1	SHAFT, starter idle gear	
3	09180-13006	09180-13006	1	SPACE, starter idle gear	
4	12620HJ8204	12620HJ8204	1	GEAR COMP, starter clutch	5
5	09304H25002	09304H25002	1	BUSH, starter clutch gear	
6	07110-08168	07110-08168	3	BOLT, starter clutch(M6×16)	
7	12622HJ8201	12622HJ8201	1	GEAR, starter clutch	NOT SALE
8	12621HJ8200	12621HJ8200	1	RACE, starter clutch gear inner	NOT SALE
9	12614HJ8200	12614HJ8200	1	CLUTCH, starter one way	

FIG 8-1

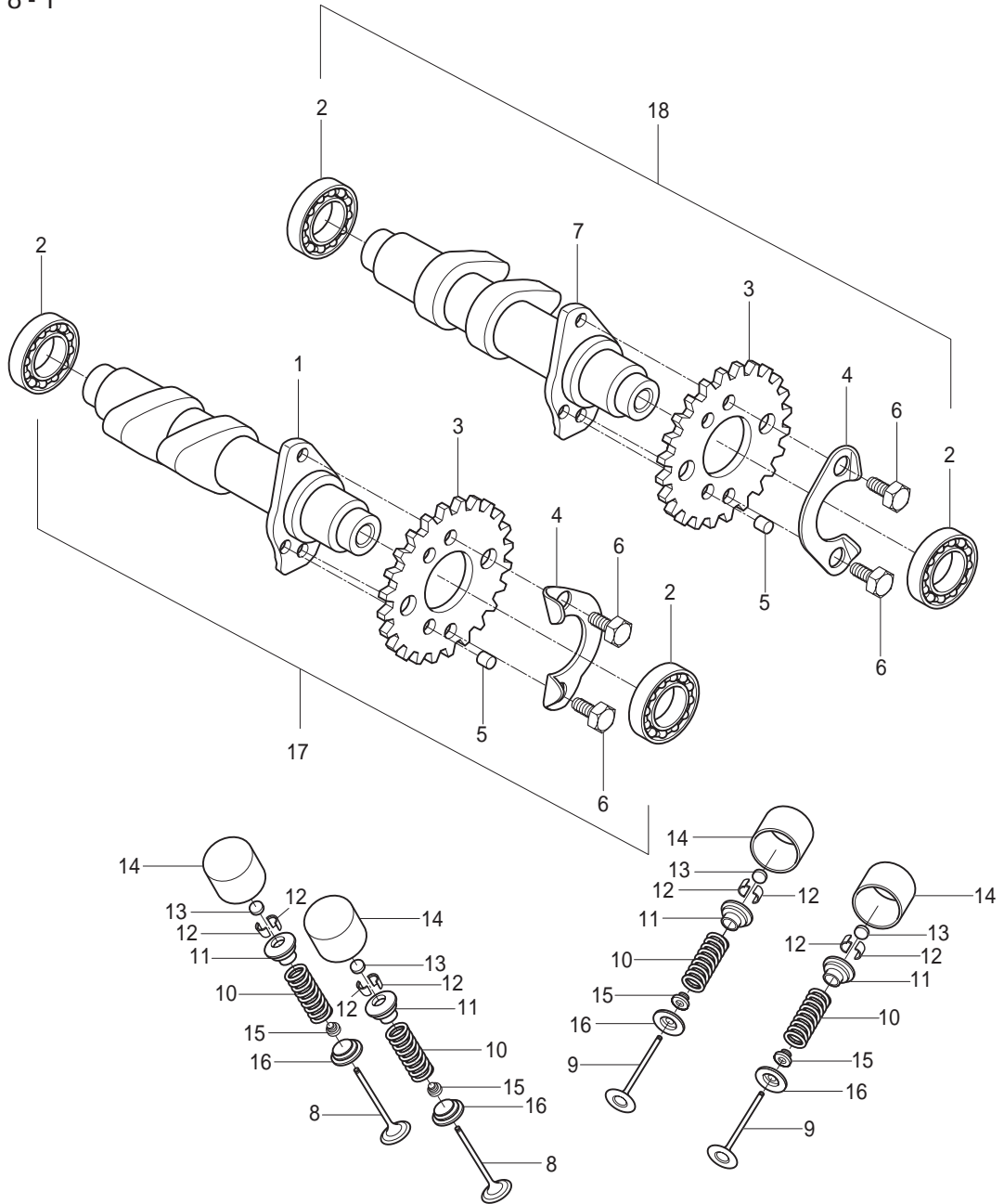
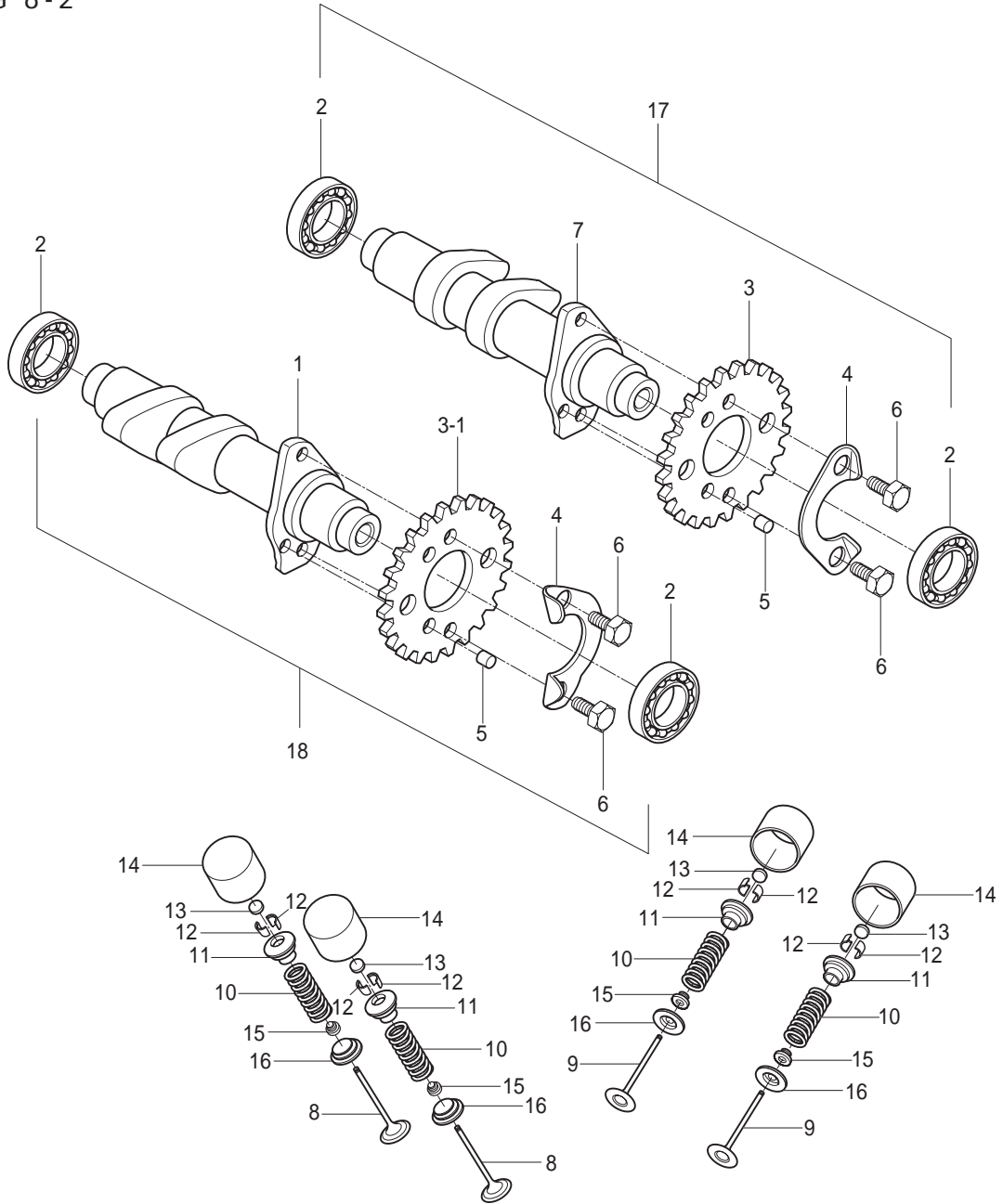


FIG 8-1. CAMSHAFT REAR

REF.	PARTS NAME		Q'TY	REMARKS	REC. Q'TY
NO.	RAT01	REU01			(PCS)
1	12711HM8100888	12711HM8100888	1	CAMSHAFT, intake rear	5
2	09262-17019	09262-17019	4	BEARING, camshaft rear(22.4X29.0	40
3	12742HJ8200	12742HJ8200	2	SPROCKET, camshaft rear	
4	12747-44B00	12747-44B00	2	WASHER, sprocket rear	
5	09261-05005	09261-05005	2	PIN, sprocket rear	
6	09111-06032	09111-06032	4	BOLT, sprocket rear(M6X10)	
7	12721HJ8200888	12721HJ8200888	1	CAMSHAFT, exhaust rear	
8	12911HJ8200	12911HJ8200	2	VALVE, intake rear	
9	12912HJ8200	12912HJ8200	2	VALVE, exhaust rear	
10	12921HJ8200	12921HJ8200	4	SPRING, valve rear	
11	12931HJ8200	12931HJ8200	4	RETAINER, valve spring rear	
12	12932HJ8200	12932HJ8200	8	COTTER, valve rear	
13	12892-05C00(#170)	12892-05C00(#170)	4	SHIM, tappet rear	
14	12881HJ8200	12881HJ8200	4	TAPPET, rear	
15	09289H04002	09289H04002	4	SEAL, valve stem oil rear(4X7.2X8	
16	12933HJ8200	12933HJ8200	4	SEAT, valve spring rear	
17	12720HM8100HPA	12720HM8100HPA	1	CAMSHAFT ASS'Y, rear intake	
18	12750HJ8201HPA	12750HJ8201HPA	1	CAMSHAFT ASS'Y, rear exhaust	

FIG 8-2



FWD

FIG 8-2. CAMSHAFT FRONT

REF.	PARTS NAME		Q'TY	REMARKS	REC. Q'TY
NO.	RAT01	REU01			(PCS)
1	12711HJ8200888	12711HJ8200888	CAMSHAFT, intake front	1	5
2	09262-17019	09262-17019	BEARING, camshaft front(22.4X29	4	
3	12741H16E00	12741H16E00	SPROCKET, camshaft front	2	
4	12747-44B00	12747-44B00	WASHER, sprocket front	2	
5	09261-05005	09261-05005	PIN, sprocket front	2	
6	09111-06032	09111-06032	BOLT, sprocket front(M6X10)	4	
7	12721HJ8200888	12721HJ8200888	CAMSHAFT, exhaust front	1	5
8	12911HJ8200	12911HJ8200	VALVE, intake front	2	
9	12912HJ8200	12912HJ8200	VALVE, exhaust front	2	
10	12921HJ8200	12921HJ8200	SPRING, valve front	4	
11	12931HJ8200	12931HJ8200	RETAINER, valve spring front	4	
12	12932HJ8200	12932HJ8200	COTTER, valve front	8	
13	12892-05C00(#170)	12892-05C00(#170)	SHIM, tappet front	4	
14	12881HJ8200	12881HJ8200	TAPPET, front	4	
15	09289H04002	09289H04002	SEAL, valve stem oil front(4X7.2X8	4	
16	12933HJ8200	12933HJ8200	SEAT, valve spring front	4	
17	12710HJ8200HPA	12710HJ8200HPA	CAMSHAFT ASS'Y, front intake	1	
18	12730HJ8200HPA	12730HJ8200HPA	CAMSHAFT ASS'Y, front exhaust	1	

FIG 9

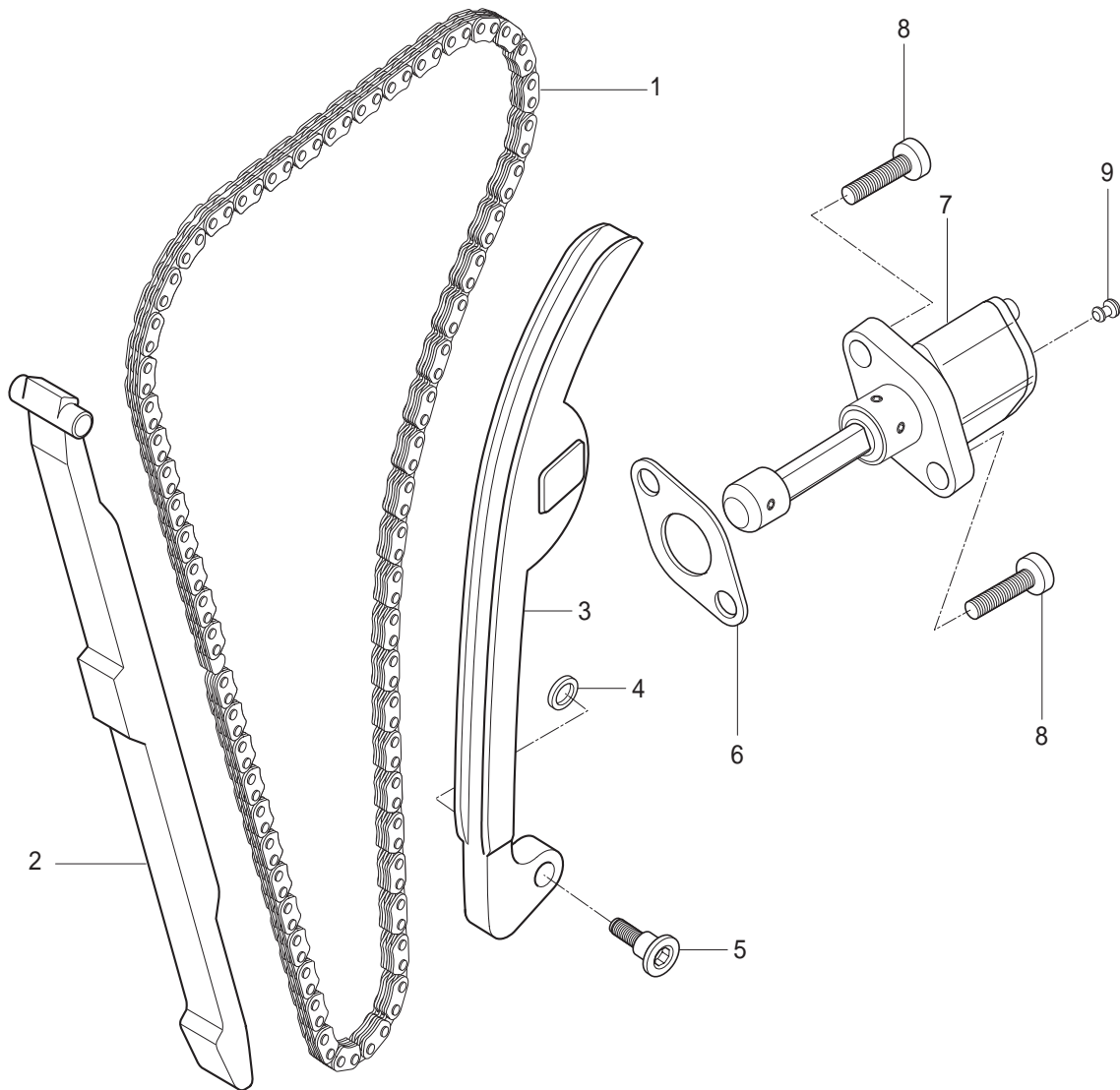


FIG 9. CAM CHAIN

REF.			PARTS NAME	Q`TY	REMARKS	REC. Q'TY
NO.	RAT01	REU01				(PCS)
1	12760-16E00	12760-16E00	CHAIN COMP, camshaft drive(124	2		6
2	12771-16E00	12771-16E00	GUIDE, camchain NO.1	2		10
3	12811HJ8200	12811HJ8200	TENSIONER, camchain	2		10
4	08211-06181	08211-06181	WASHER, camchain tensioner bolt	2		10
5	12812H35C00	12812H35C00	BOLT, camchain tensioner(M6× 23)	2		10
6	12837H31321	12837H31321	GASKET, tensioner adjuster	2		10
7	12830H31320	12830H31320	ADJUSTER ASS'Y, tensioner	2		4
8	07110-06208	07110-06208	BOLT, tensioner adjuster(M6× 23)	4		
9	12839-38200	12839-38200	PLUG, adjuster	2		

FIG 10

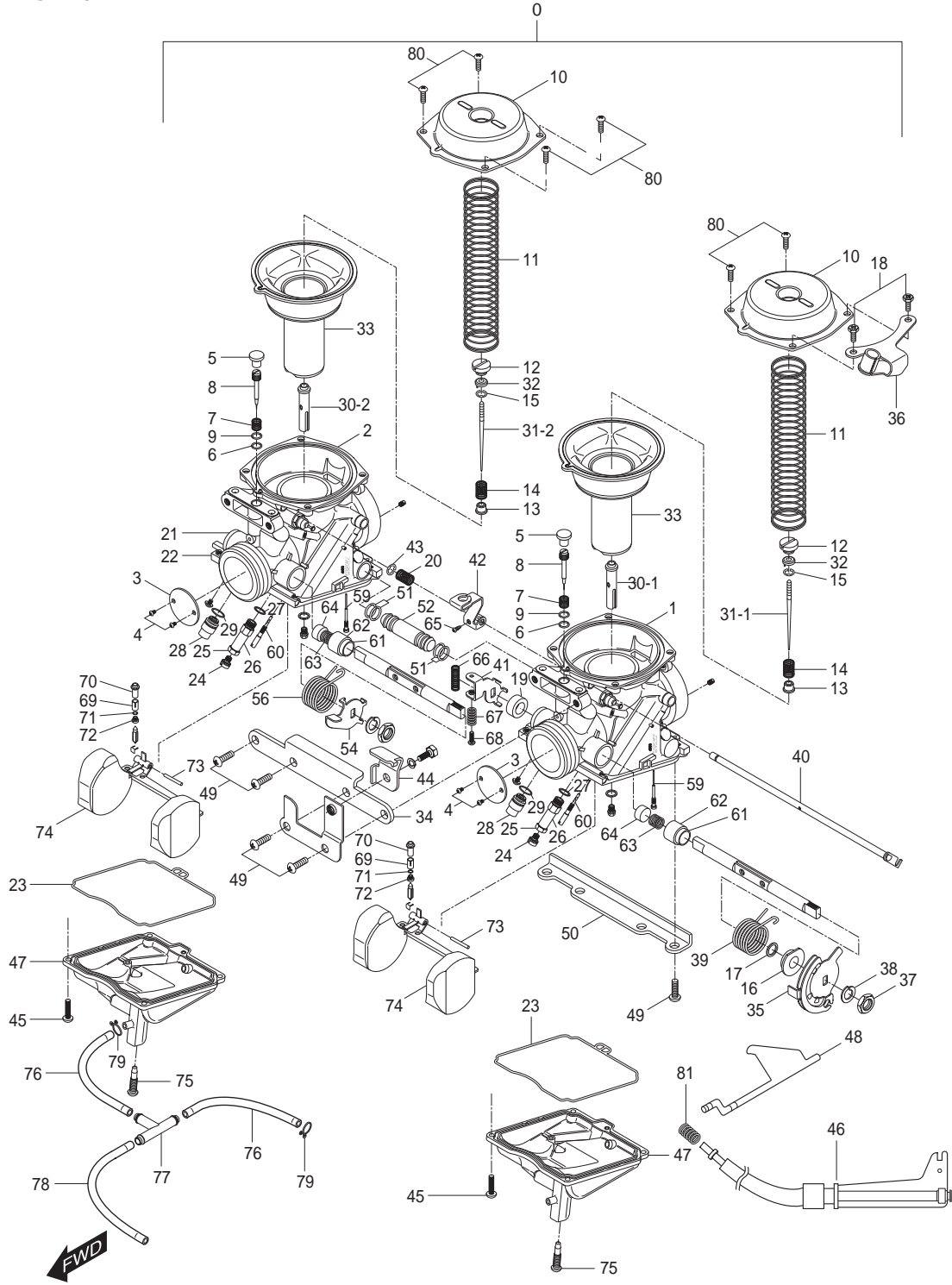


FIG 10. CARBURETOR ASS'Y

REF.	PARTS NAME		Q'TY	REMARKS	REC. Q'TY
NO.	RAT01	REU01			(PCS)
0	13200HM8101	13200HM8101	1	CARBURETOR ASS'Y	3
1	13301HG5100	13301HG5100	1	MIXING BODY ASS'Y	
2	13302HG5100	13302HG5100	1	MIXING BODY ASS'Y	
3	13303HG5100	13303HG5100	2	THROTTLE VALVE	
4	13304HG5100	13304HG5100	4	SCREW	
5	13305HG5100	13305HG5100	2	PLUG	
6	13306HG5100	13306HG5100	2	O-RING	
7	13307HG5100	13307HG5100	2	SPRING(CO)	
8	13308HG5100	13308HG5100	2	ADJUSTER	
9	13309HG5100	13309HG5100	2	WASHER	
10	13310HG5100	13310HG5100	2	DIAPHRAGM COVER	
11	13311HG5100	13311HG5100	2	SPRING(CO)	
12	13312HG5100	13312HG5100	2	SCREW	
13	13313HG5100	13313HG5100	2	RING	
14	13314HG5100	13314HG5100	2	SPRING(CO)	
15	13315HG5100	13315HG5100	2	E-RING	
16	13316HG5100	13316HG5100	1	RING	
17	13317HG5100	13317HG5100	1	SEAL	
18	13318HG5100	13318HG5100	2	BOLT	
19	13319HG5100	13319HG5100	1	RING	
20	13320HG5100	13320HG5100	1	SPRING(CO)	
21	13321HG5100	13321HG5100	1	PACKING	
22	13322HG5100	13322HG5100	1	SHAFT ASS'Y	
23	13323HG5100	13323HG5100	2	O-RING	
24-1	13324HM8100	13324HM8100	1	MAIN JET	
24-2	13325HM8100	13325HM8100	1	MAIN JET	
25	13326HG5100	13326HG5100	2	PACKING	

FIG 10

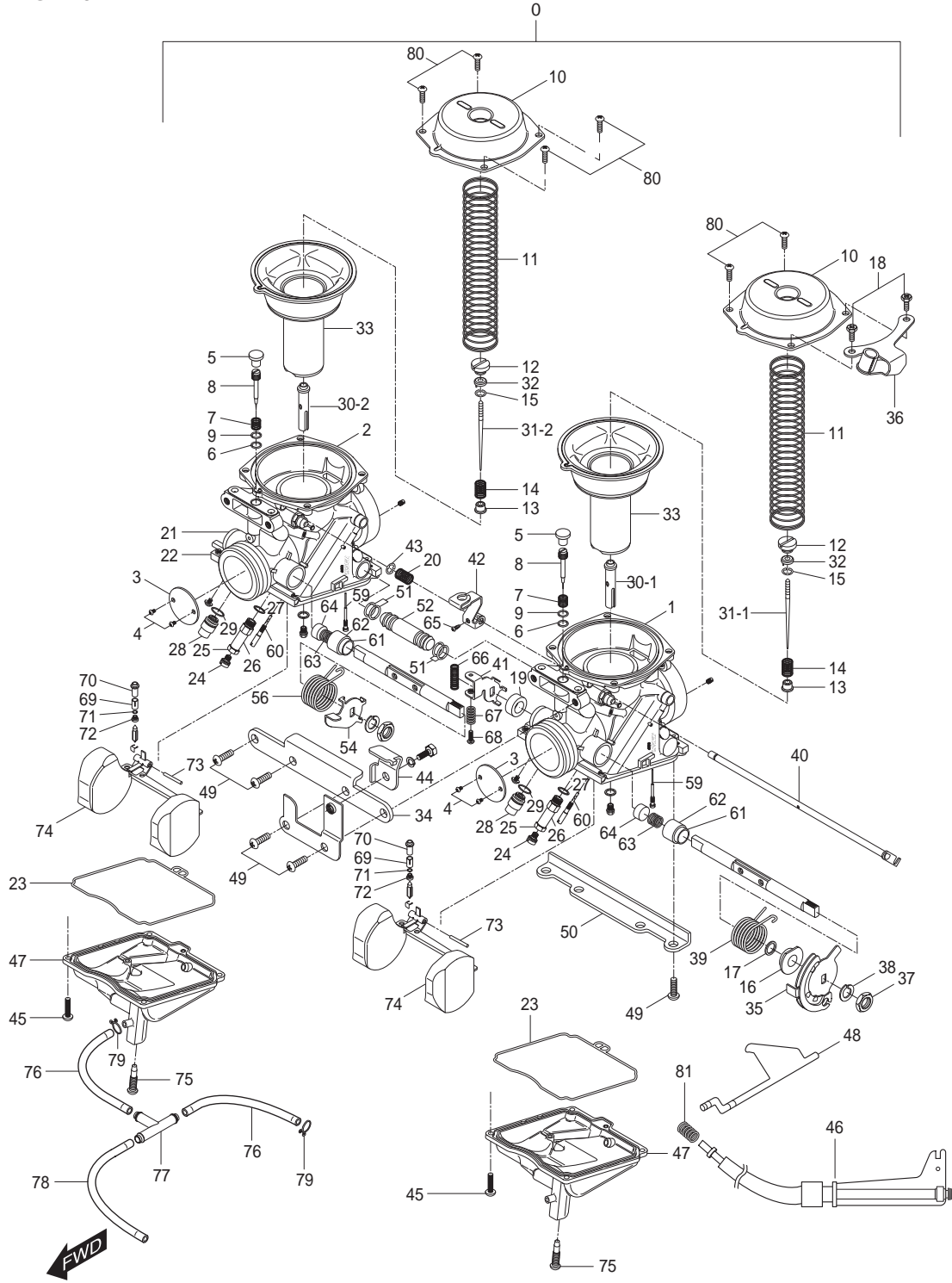


FIG 10. CARBURETOR ASS'Y

REF.	PARTS NAME		Q'TY	REMARKS	REC. Q'TY
NO.	RAT01	REU01			(PCS)
26	13327HG5100	13327HG5100		HOLDER	2
27	13328HG5100	13328HG5100		WASHER	2
28	13329HG5100	13329HG5100		SCREW	2
29	13330HG5100	13330HG5100		WASHER	2
30-1	13331HM8100	13331HM8100		NEEDLE(JET AB)(NJ)	1
30-2	13332HM8100	13332HM8100		NEEDLE(JET AB)(NJ)	1
31-1	13333HM8100	13333HM8100		JET NEEDLE(JN)	1
31-2	13334HM8100	13334HM8100		JET NEEDLE(JN)	1
32	13337HG5100	13337HG5100		RING	2
33	13338HG5100	13338HG5100		DIAPHRAGM ASS'Y	2
34	13339HG5100	13339HG5100		PLATE	1
35	13340HG5100	13340HG5100		LEVER ASS'Y	1
36	13341HG5100	13341HG5100		BRACKET ASS'Y	1
37	13342HG5100	13342HG5100		NUT	1
38	13343HG5100	13343HG5100		WASHER	1
39	13344HG5100	13344HG5100		SPRING(CO)	1
40	13345HG5100	13345HG5100		SHAFT ASS'Y	1
41	13346HG5100	13346HG5100		THROTTLE SHAFT ASS'Y	1
42	13347HG5100	13347HG5100		STARTER LEVER	1
43	13348HG5100	13348HG5100		E-RING	1
44	13349HG5100	13349HG5100		BRACKET ASS'Y	1
45	13350HG5100	13350HG5100		SCREW	8
46	13351HG5100	13351HG5100		ADJUST SCREW ASS'Y	1
47	13352HG5100	13352HG5100		FLOAT BODY ASS'Y	2
48	13353HG5100	13353HG5100		BRACKET	1
49	13354HG5100	13354HG5100		SCREW	8
50	13355HG5100	13355HG5100		PLATE	1

FIG 10. CARBURETOR ASS'Y

REF.	PARTS NAME		Q'TY	REMARKS	REC. Q'TY
NO.	RAT01	REU01			(PCS)
51	13356HG5100	13356HG5100		O-RING	4
52	13357HG5100	13357HG5100		NIPPLE	1
53	13358HG5100	13358HG5100		HOSE	1
54	13359HG5100	13359HG5100		THROTTLE LEVER	1
55	13360HG5100	13360HG5100		NIPPLE	1
56	13361HG5100	13361HG5100		SPRING(CO)	1
57	13362HG5100	13362HG5100		HOSE	1
58	13363HG5100	13363HG5100		HOSE	1
59	13364HM8100	13364HM8100		JET(PAJ)	2
60	13365HM8100	13365HM8100		JET(PJ)	2
61	13366HG5100	13366HG5100		CAP	2
62	13367HG5100	13367HG5100		GUIDE HOLDER	2
63	13368HG5100	13368HG5100		SPRING(CO)	2
64	13369HG5100	13369HG5100		PLUNGER ASS'Y	2
65	13370HG5100	13370HG5100		SCREW	1
66	13371HG5100	13371HG5100		SPRING(CO)	1
67	13372HG5100	13372HG5100		SPRING(CO)	1
68	13373HG5100	13373HG5100		SCREW	1
69	13374HG5100	13374HG5100		FILTER	2
70	13375HG5100	13375HG5100		NEEDLE VALVE ASS'Y(VS)	2
71	13376HG5100	13376HG5100		O-RING	2
72	13377HG5100	13377HG5100		SCREW	2
73	13378HG5100	13378HG5100		PIN	2
74	13379HG5100	13379HG5100		FLOAT ASS'Y	2
75	13380HG5100	13380HG5100		SCREW	2
76	13381HG5100	13381HG5100		HOSE	2
77	13382HG5100	13382HG5100		NIPPLE	1

FIG 10. CARBURETOR ASS`Y

REF.	PARTS NAME		Q`TY	REMARKS	REC. Q`TY
NO. RAT01	REU01				(PCS)
78	13383HG5100	13383HG5100	HOSE		1
79	13384HG5100	13384HG5100	CLIP		2
80	13385HG5100	13385HG5100	SCREW		6
81	13386HG5100	13386HG5100	SPRING(CO)		1

FIG 11

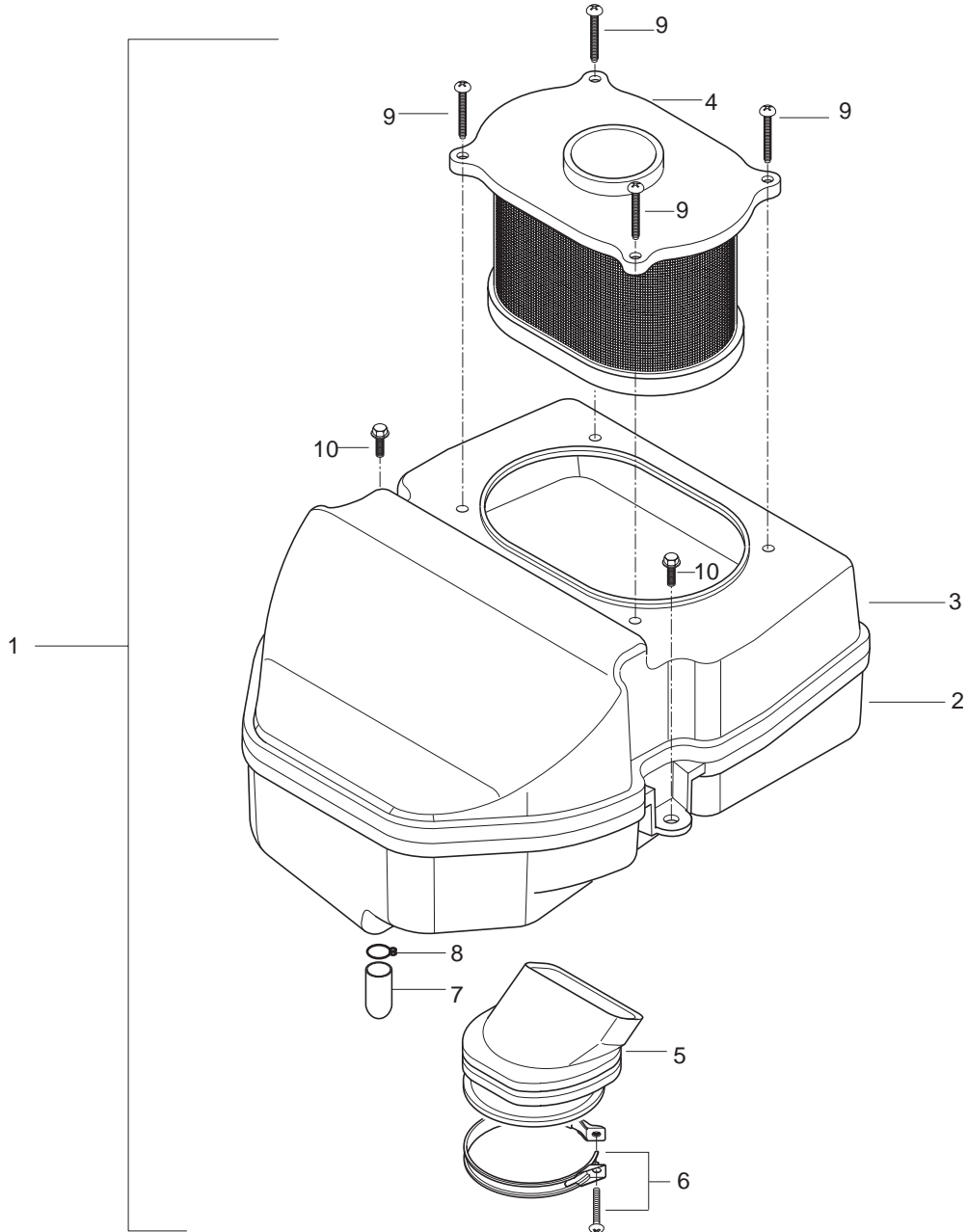


FIG 11. AIR CLEANER&CHAMBER

REF.	PARTS NAME		Q`TY	REMARKS	REC. Q`TY
NO.	RAT01	REU01			(PCS)
1	13700HM8101	13700HM8130	CLEANER ASS`Y, air	1	5
2	13721HM8101	13721HM8101	CASE, air cleaner	1	
3	13740HM8101	13740HM8101	CAP COMP, air cleaner	1	
4	13780HM8100	13780HM8100	FILTER COMP, air cleaner	1	10
5	13881HL7300	13881HL7300	TUBE, outlet	2	
6	09402-56208	09402-56208	CLAMP, outlet tube	2	
7	13895HF4500	13895HF4500	PLUG, oil drain	1	10
8	09401-14301	09401-14301	CLIP , oil drain plug	1	
9	02142-05165	02142-05165	SCREW, air cleaner filter(M5×16)	4	
10	02142-16125	02142-16125	SCREW, air cleaner(M6×12)	2	

FIG 12

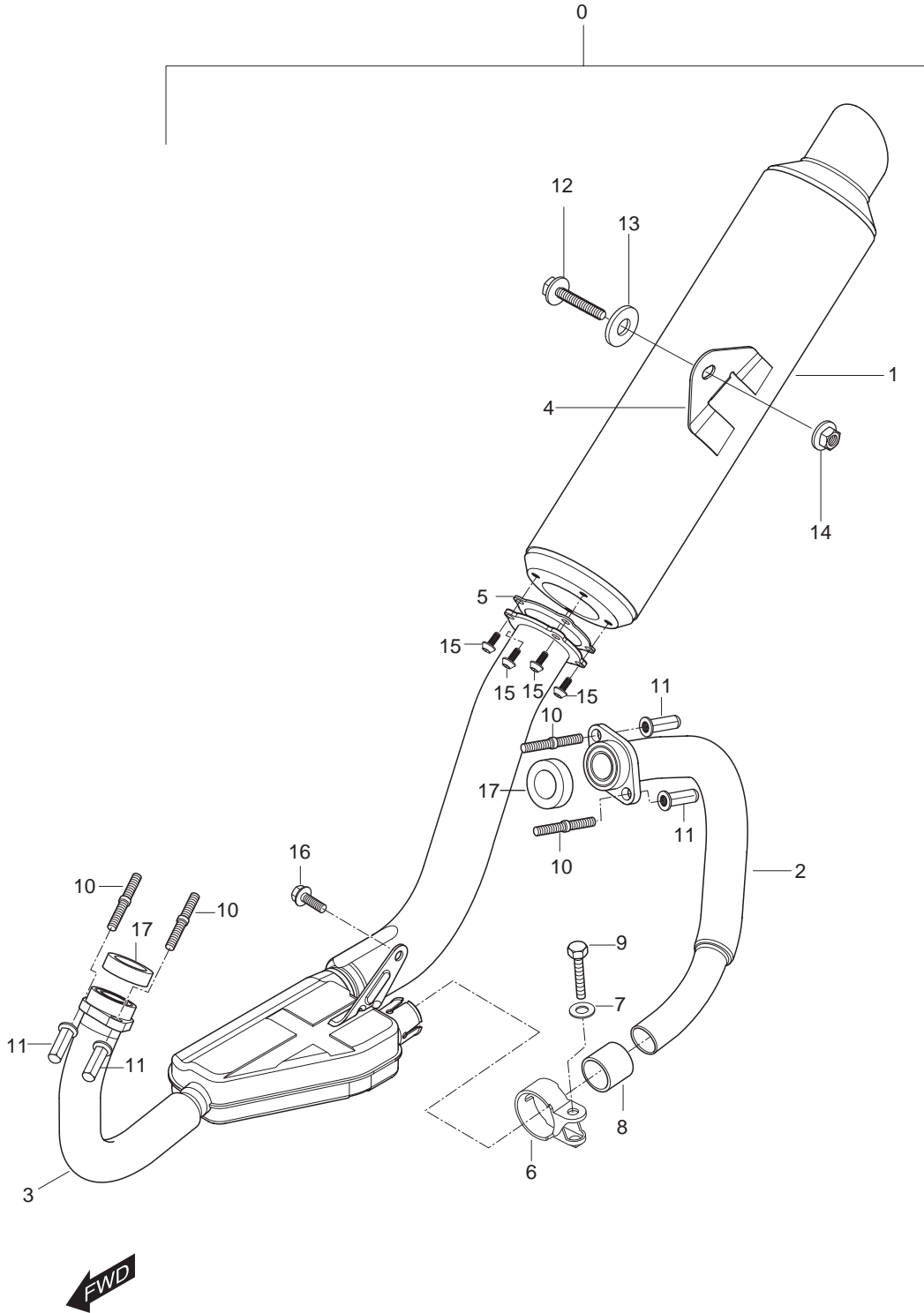


FIG 12. MUFFLER

REF.	PARTS NAME		Q'TY	REMARKS	REC. Q'TY
NO. RAT01	REU01				(PCS)
0	14305HM8105PAH	14305HM8131PAH	MUFFLER, ASS'Y	1	
1	14310HM8105PLA	14310HM8131PLA	BODY COMP, muffler front	1	
2	14160HM8102PAM	14160HM8102PAM	PIPE COMP, exhaust rear	1	
3	14150HM8103PAM	14150HM8130PAM	PIPE COMP, exhaust front	1	5
4	14411HM8100	14411HM8100	BRACKET, muffler support	1	NOT SALE
5	14314HM8110	14314HM8110	GASKET, connector flange	1	
6	14770HG5101PAM	14770HG5101PAM	CONNECTOR COMP, exhaust pipe	1	5
7	09160-10001	09160-10001	WASHER, exhaust pipe connector	1	
8	14773HG5100	14773HG5100	GASKET, connector exhaust pipe	1	5
9	01137-08358	01137-08358	BOLT, connector exhaust pipe(M8×	1	10
10	01421-08258	01421-08258	STUD BOLT, exhaust pipe(M8×35)	4	
11	09143H08001	09143H08001	NUT, exhaust pipe(M8)	4	
12	07110-10358	07110-10358	BOLT, muffler support	1	
13	09160-10102	09160-10102	WASHER, muffler support	1	
14	08316-26108	08316-26108	NUT, muffler support rear	1	
15	09119H06002	09119H06002	BOLT, connector flange	4	20
16	01137-08168	01137-08168	BOLT, muffler chamber bracket(M8	1	
17	14181-46E00	14181-46E00	GASKET, exhaust pipe	2	20

FIG 13

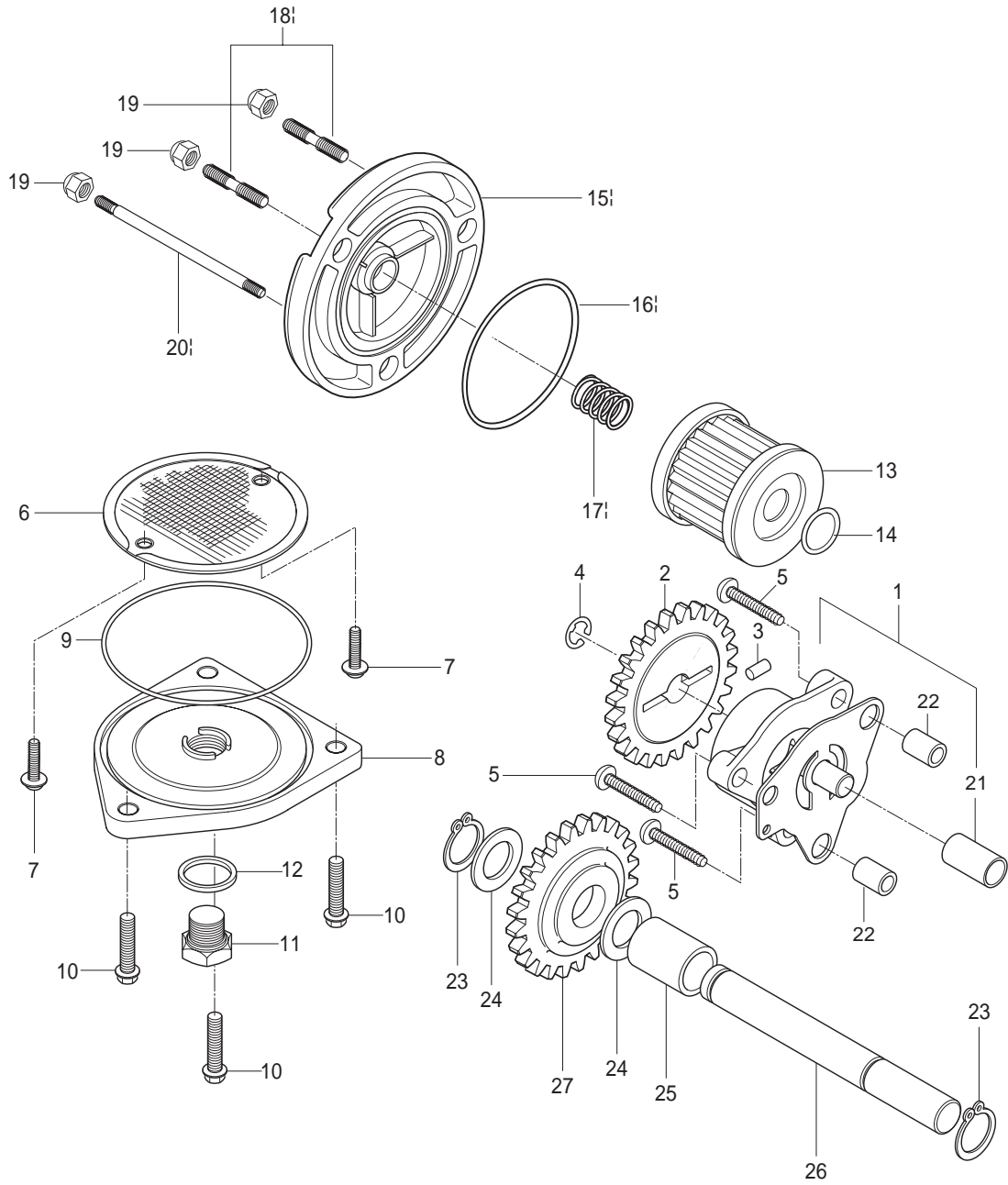


FIG 13. OIL PUMP

REF.	PARTS NAME		Q'TY	REMARKS	REC. Q'TY
NO.	RAT01	REU01			(PCS)
1	16400HG5102	16400HG5102	1	PUMP ASS`Y, oil	
2	16331HG5102	16331HG5102	1	GEAR, oil pump driven	
3	09261-02001	09261-02001	1	PIN, oil pump driven gear	
4	08332-11069	08332-11069	1	CIRCLIP, oil pump driven gear	
5	02112-06258	02112-06258	3	SCREW, oil pump(M6×25)	
6	16520-05202	16520-05202	1	STRAINER COMP, engine oil	
7	02112-95126	02112-95126	2	SCREW, engine oil strainer(M5×12)	
8	16523-05200	16523-05200	1	CAP, oil strainer	5
9	09280-60005	09280-60005	1	O-RING, strainer cap(60.5× 2.4)	
10	01547-06208	01547-06208	3	BOLT, oil strainer cap(M6× 20)	
11	09247-14002	09247-14002	1	PLUG, oil drain	10
12	09168H14003	09168H14003	1	GASKET, drain plug	
13	16510-05240	16510-05240	1	FILTER COMP, engine oil	20
14	09280-13004	09280-13004	1	O-RING, oil filter(13.5×1.5)	
15	16512HG510003S	16512HG510003S	1	CAP, oil filter	
16	09280-54001	09280-54001	1	O-RING, oil filter cap(25.7×3.5)	
17	09440-18002	09440-18002	1	SPRING, oil filter cap	
18	01421-06128	01421-06128	2	BOLT, oil filter cap stud(M6×12)	30
19	08313-11068	08313-11068	3	NUT, oil filter cap(M6)	
20	01421-06658	01421-06658	1	BOLT, oil filter cap stud(M6×65)	
21	16419HG5100	16419HG5100	1	BUSH,oil pump	
22	09206-08001	09206-08001	2	PIN, oil pump knock	6
23	08331-31109	08331-31109	2	CIRCLELIP	
24	08211-10181	08211-10181	2	WASHER	
25	09180H10022	09180H10022	1	SPACER	
26	16451HG5101	16451HG5101	1	SHAFT, oil pump idle gear	
27	16431HG5104	16431HG5104	1	GEAR, oil pump idle	

FIG 14

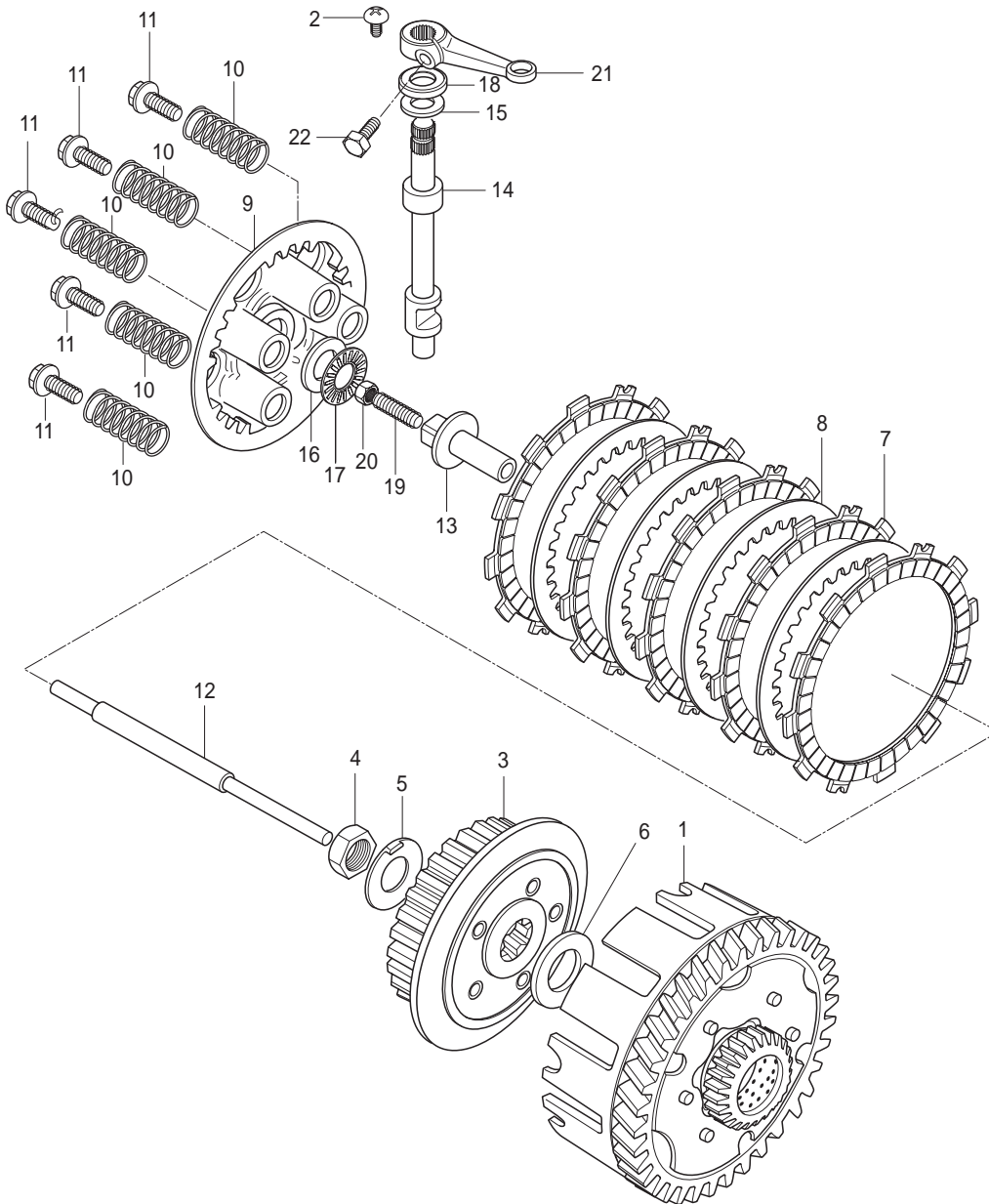


FIG 14. CLUTCH ASS'Y

REF.	PARTS NAME		Q'TY	REMARKS	REC. Q'TY
NO.	RAT01	REU01			(PCS)
1	21200HJ8200HPA	21200HJ8200HPA	GEAR COMP, primary driven	1	
2	02142-06108	02142-06108	STOPPER, clutch release camshaft c	1	
3	21411HJ8202	21411HJ8202	HUB, clutch sleeve	1	
4	09140-16014	09140-16014	NUT, clutch sleeve hub(M6)	1	
5	09169H16001	09169H16001	WASHER, clutch sleeve hub	1	03/03/12 수정
6	09167H18001	09167H18001	THRUST WASHER, clutch sleeve l	1	
7	21441HJ8201	21441HJ8201	PLATE, clutch drive	6	25
8	21451HJ8201	21451HJ8201	PLATE, clutch driven	5	20
9	21462HJ8201	21462HJ8201	DISK, clutch pressure	1	
10	09440H16003	09440H16003	SPRING, clutch	5	
11	09116H05001	09116H05001	BOLT, clutch spring(M5× 20)	5	
12	23110HJ8201	23110HJ8202	ROD COMP, clutch push	1	
13	23121-38201	23121-38201	ROD COMP, clutch push	1	
14	23122HG5100	23122HG5100	CAM SHAFT, clutch release	1	
15	08211-10201	08211-10201	THRUST WASHER, clutch release	1	
16	09160-15015	09160-15015	THRUST WASHER, clutch release	1	
17	09263H15001	09263H15001	THRUST BEARING, clutch release	1	
18	09282-10007	09282-10007	OIL SEAL, clutch release camshaft(1	
19	09134-06010	09134-06010	SCREW, clutch release adjuster(M6	1	
20	08310-22068	08310-22068	NUT, clutch release adjust(M6)	1	
21	23271HJ8250	23271HJ8250	ARM, clutch release	1	
22	01107-06168	01107-06168	BOLT, clutch release arm(M6×16)	1	

FIG 15

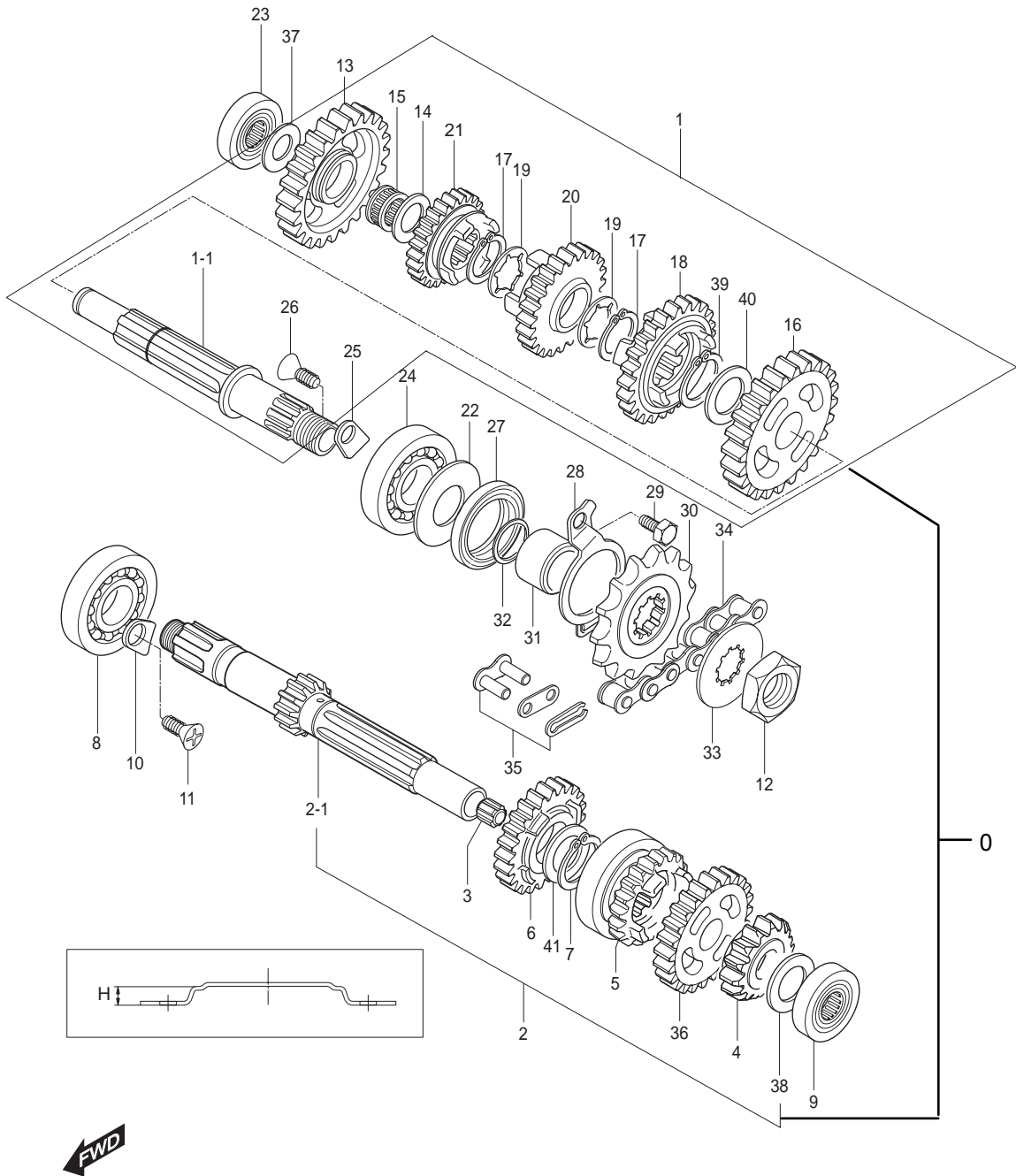


FIG 15. TRANSMISSION

REF.	PARTS NAME		Q'TY	REMARKS	REC. Q'TY
NO.	RAT01	REU01			(PCS)
0	24200SJ8200HPA	24200SJ8200HPA	MISSION GEAR SET	1	
1	24130HJ8200HPA	24130HJ8200HPA	DRIVE SHAFT ASS`Y	1	
1-1	24130HJ8201	24130HJ8201	SHAFT COMP, drive	1	3
2	24121HJ8200HPA	24121HJ8200HPA	SHAFT COMP, counter	1	
2-1	24121HJ8201	24121HJ8201	SHAFT, counter	1	3
3	24125-38201	24125-38201	BUSH, counter shaft	1	
4	24221HJ8201	24221HJ8201	GEAR, 2nd drive	1	3
5	24241HJ8200	24241HJ8200	GEAR, 4th drive	1	
6	24251HJ8201	24251HJ8201	GEAR, 5th drive	1	3
7	09380H20001	09380H20001	CIRCLIP, 5th drive gear	1	40
8	08110-62050	08110-62050	BEARING, counter shaft R(#6205)	1	5
9	09263H17001	09263H17001	BEARING, counter shaft L(24×17×	1	5
10	24741HG5100	24741HG5100	RETAINER, counter shaft bearing	1	10
11	02122-06128	02122-06128	SCREW, counter shaft bearing retain	1	60
12	09140-16017	09140-16017	NUT, engine sprocket(M21)	1	5
13	24311HJ8200	24311HJ8200	GEAR, 1st driven	1	3
14	08211-17261	08211-17261	THRUST WASHER, 1st driven gea	1	5
15	09263H17008	09263H17008	BEARING, 1st driven gear(24×17×	2	5
16	24320HJ8200	24320HJ8200	GEAR COMP, 2nd driven	1	3
17	09380H20001	09380H20001	CIRCLIP, 4th driven gear	2	
18	24331HJ8200	24331HJ8200	GEAR, 3rd driven	1	3
19	09167H18002	09167H18002	THRUST WASHER, 4th driven gea	1	8
20	24341HJ8200	24341HJ8200	GEAR, 4th driven	1	3
21	24351HJ8202	24351HJ8202	GEAR, 5th driven	1	3
22	24359-05200	24359-05200	WASHER, oil sealing	1	5
23	09263H17007	09263H17007	BEARING, drive shaft R	1	5
24	09262H22016	09262H22016	BEARING, drive shaft L(22× 56×1	1	5

FIG 15

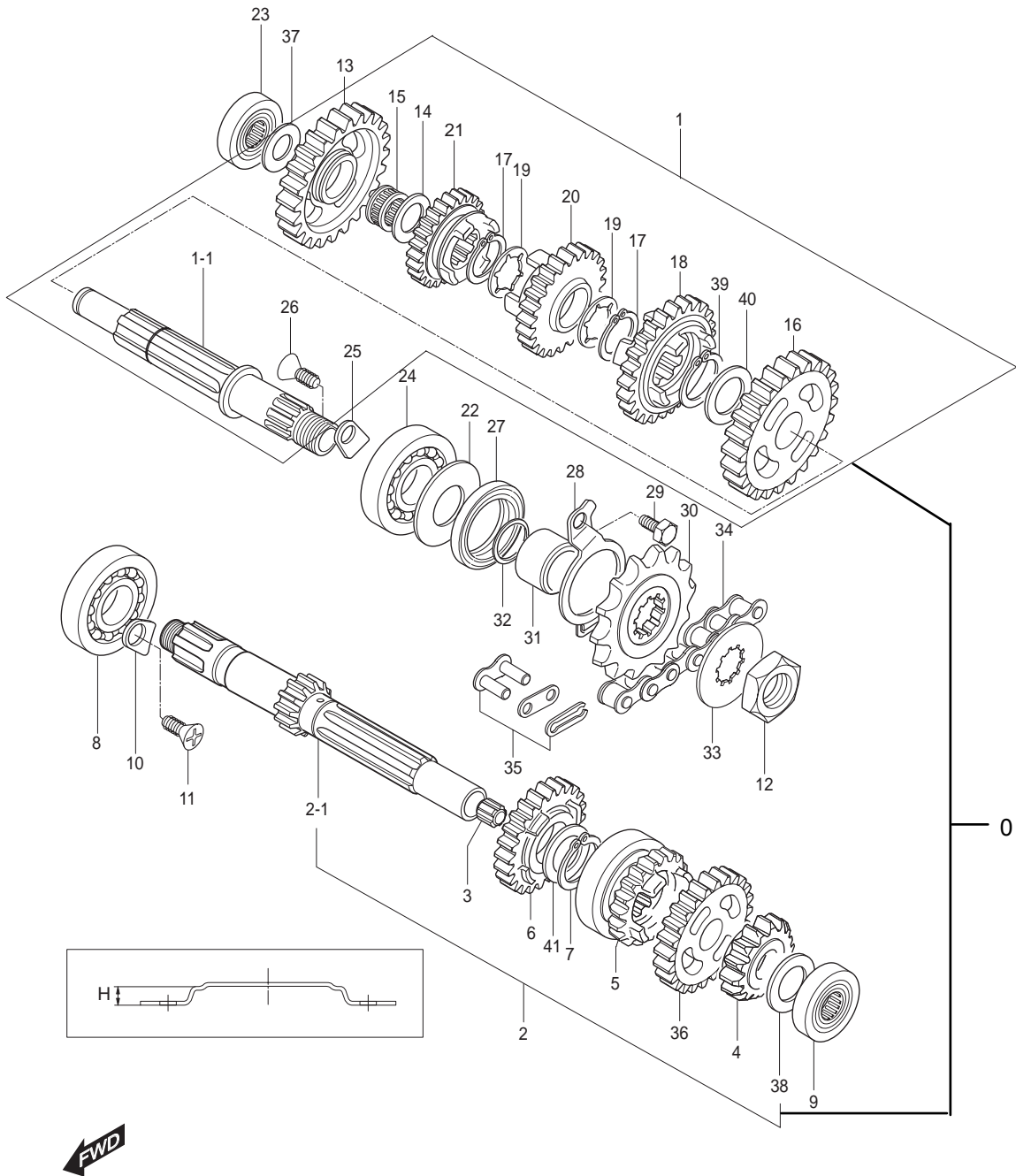


FIG 15. TRANSMISSION

REF.	PARTS NAME		Q'TY	REMARKS	REC. Q'TY
NO.	RAT01	REU01			(PCS)
25	24741HG5100	24741HG5100	1	RETAINER, drive shaft bearing	
26	02122-06128	02122-06128	1	SCREW, drive shaft bearing retainer	
27	09283-27010	09283-27010	1	OIL SEAL, drive shaft(40×6)	5
28	24751HG5102	24751HG5102	1	RETAINER, drive shaft oil seal	5
29	01107-06106	01107-06106	2	BOLT, drive shaft oil seal retainer(Λ)	
30	27510HJ8200	27510HJ8200	1	SPROCKET COMP, engine 14T(#5)	3
31	27531HJ8200	27531HJ8200	1	SPACER, engine sprocket	
32	09280-19005	09280-19005	1	O-RING, engine sprocket(29×2.4)	
33	09167-20006	09167-20006	1	LOCK WASHER, engine sprocket	
34	27600HM8100	27600HM8100	1	CHAIN ASS'Y, drive(#520)112Line	10
35	27620H93B00	27620H93B00	1	.JOINT, chain	
36	24230HJ8200	24230HJ8200	1	GEAR COMP, 3rd drive	3
37	08211-17301	08211-17301	1	WASHER, drive shaft thrust	
38	08211-17301	08211-17301	1	WASHER, counter shaft thrust	
39	09380H20001	09380H20001	1	CILCLIP, 2nd driven gear	
40	08211-22281	08211-22281	1	WASHER, 2nd driven gear	
41	08211-22281	08211-22281	1	WASHER, 5th drive gear thrust	

FIG 16

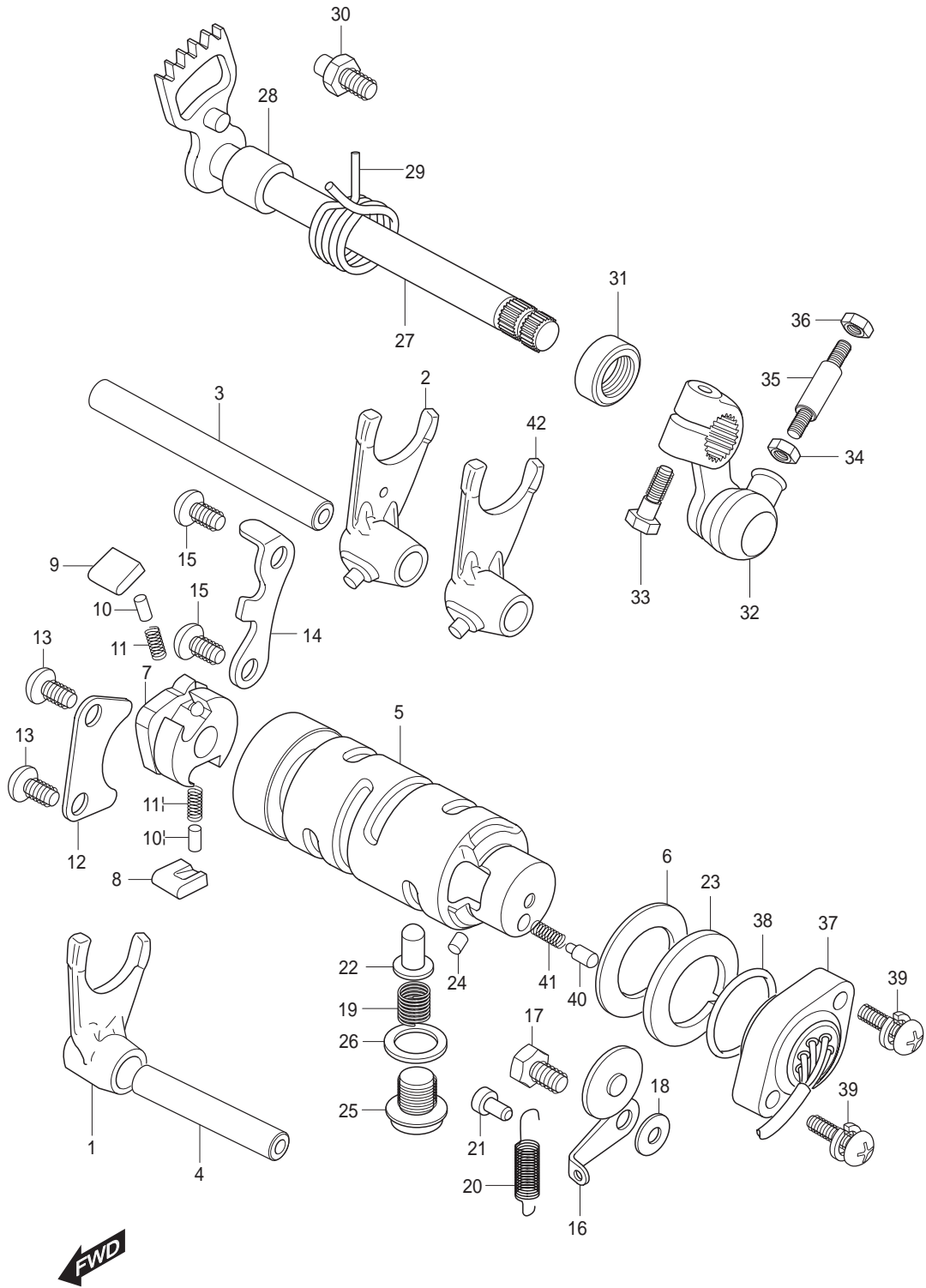


FIG 16. GEAR SHIFTING

REF.	PARTS NAME		Q'TY	REMARKS	REC. Q'TY
NO.	RAT01	REU01			(PCS)
1	25211HJ8200	25211HJ8200	1	FORK, gear shift No.1	6
2	25231HJ8200	25231HJ8200	1	FORK, gear shift No.3	3
3	25411-05201	25411-05201	1	SHAFT, gear shift fork No.1	3
4	25421-35403	25421-35403	1	SHAFT, gear shift fork No.2	3
5	25310HJ8200	25310HJ8200	1	CAM COMP, gear shift	3
6	08211-25401	08211-25401	1	WASHER, gear shift cam	
7	25322-31301	25322-31301	1	GEAR, gear shift cam driven	
8	25323-34201	25323-34201	1	PAWL, gear shift No.1	
9	25324-34201	25324-34201	1	PAWL, gear shift No.2	
10	09261-05003	09261-05003	2	PIN, gear shift pawl click	
11	09440-04003	09440-04003	2	SPRING, gear shift pawl return	
12	25331-30000	25331-30000	1	LIFTER, gear shift pawl	
13	02122-06128	02122-06128	2	SCREW, gear shift pawl	
14	25341HG5100	25341HG5100	1	GUIDE, gear shift cam	
15	02122-06128	02122-06128	2	SCREW, gear shift pawl lifter(M6x	
16	25350HG5100	25350HG5100	1	STOPPER COMP, gear shift cam	
17	09111-06019	09111-06019	1	BOLT, gear shift cam stopper(M10x	
18	08211-06141	08211-06141	1	WASHER, gear shift cam stopper	
19	09440H11020	09440H11020	1	SPRING, gear shift cam stopper	
20	09443H08044	09443H08044	1	SPRING, gear shift cam stopper arm	
21	09223-04001	09223-04001	1	HOOK, gear shift shaft spring	
22	25351-30010	25351-30010	1	STOPPER, gear shift cam neutral	
23	25381-45400	25381-45400	1	PLATE, gear shift cam stopper	
24	04221-04069	04221-04069	1	PIN, gear shift cam stopper plate	
25	09247-14026	09247-14026	1	PLUG, gear shift cam stopper	
26	09168H14003	09168H14003	1	WASHER, gear shift cam stopper pl	
27	25510HG5101	25510HG5101	1	SHAFT COMP, gear shift	5

FIG 16

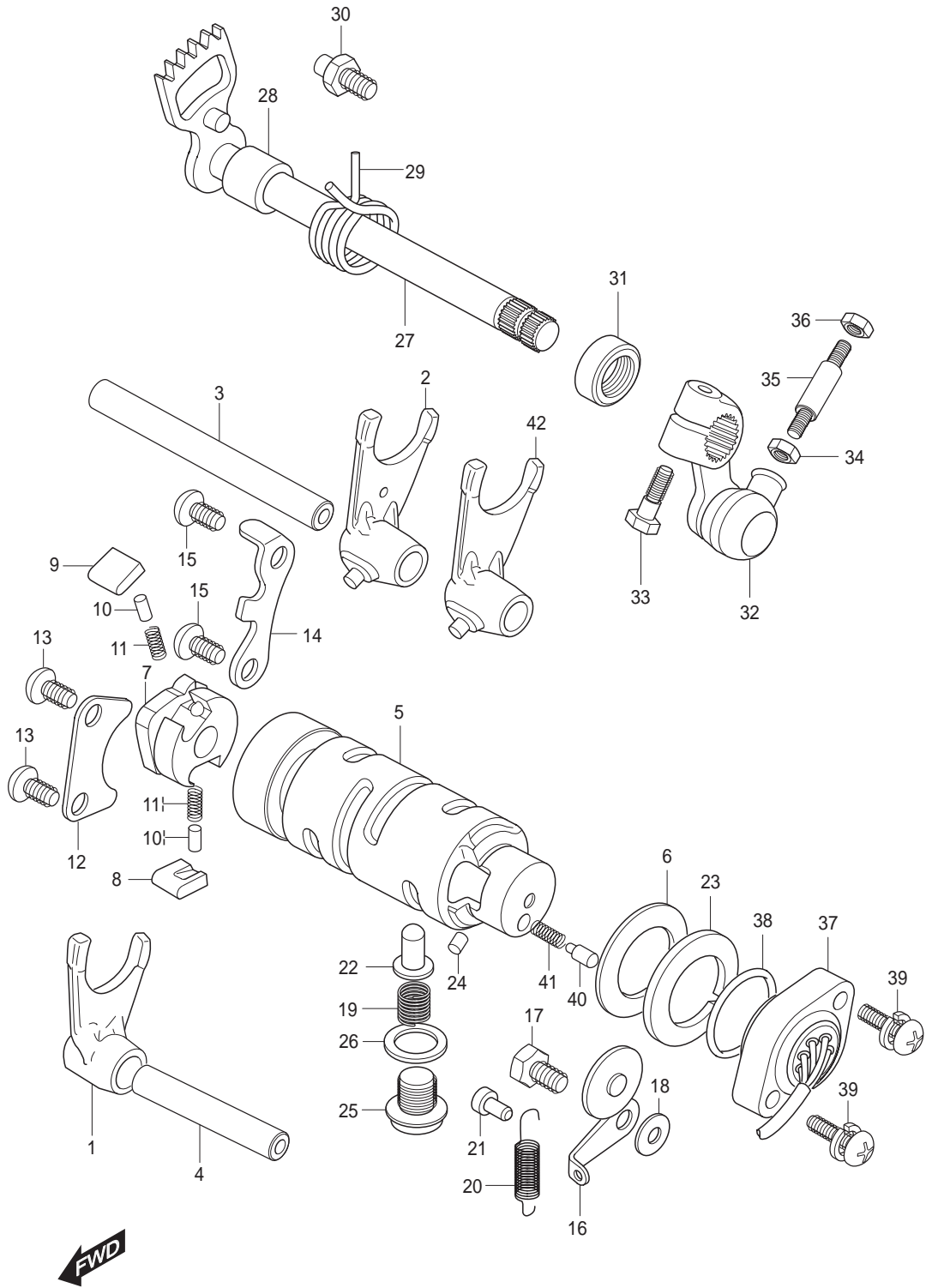


FIG 16. GEAR SHIFTING

REF.	PARTS NAME		Q'TY	REMARKS	REC. Q'TY
NO.	RAT01	REU01			(PCS)
28	09180-12068	09180-12068	1	SPACER, gear shift shaft	
29	09444-26013	09444-26013	1	SPRING, gear shift shaft return	
30	25671-01000	25671-01000	1	STOPPER, gear shift arm	
31	09285-12002	09285-12002	1	OIL SEAL, gear shift shaft(22× 9)	
32	25520-32C00	25520-32C00	1	ARM COMP, gear shift link	
33	01107-06208	01107-06208	1	BOLT, gear shift link arm(M6× 20)	
34	08310-11068	08310-11068	1	NUT, gear shift link rod R(M6)	
35	25525HM8101	25525HM8101	1	ROD, gear shift link	
36	09140-06011	09140-06011	1	NUT, gear shift link rod L(M6)	
37	37720HG5152	37720HG5152	1	SWITCH ASS'Y, neutral	7
38	09280-26003	09280-26003	1	O-RING, gear shift switch(26.2× 2.4	
39	02112-95208	02112-95208	2	SCREW, gear shift switch(M5× 20)	
40	09209-05011	09209-05011	1	CONTACT, gear shift switch	
41	09440-04010	09440-04010	1	SPRING, gear shift switch contact	
42	25221HJ8200	25221HJ8200	1	FORK, gear shift No.2	

FIG 17

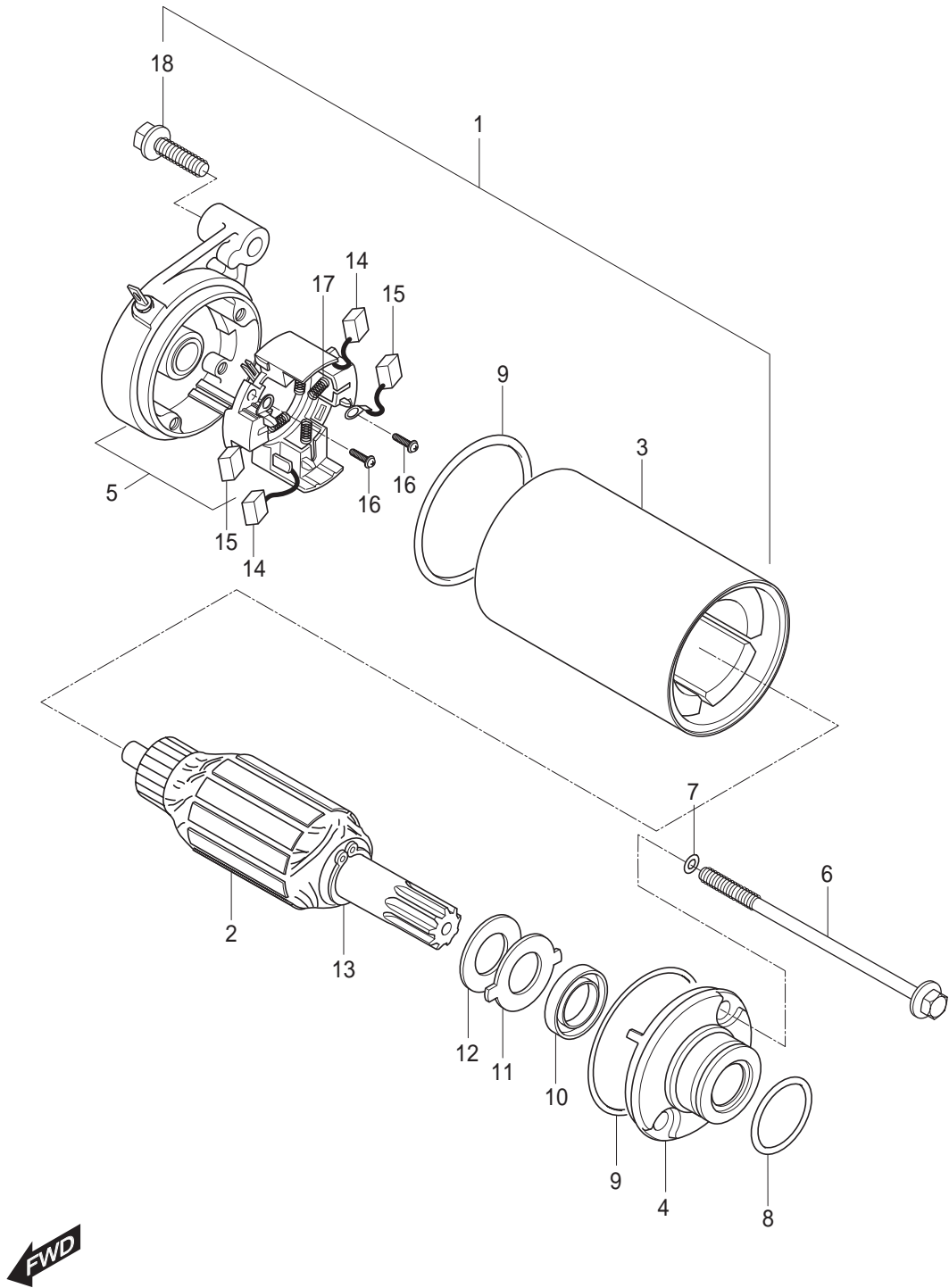


FIG 17. STARTING MOTOR

REF.	PARTS NAME		Q'TY	REMARKS	REC. Q'TY
NO.	RAT01	REU01			(PCS)
1	31100HG5100	31100HG5100	1	MOTOR ASS`Y, starting	3
2	31310-11D00	31310-11D00	1	ARMATURE ASS`Y, starter	
3	31110HD6300	31110HD6300	1	YOKE ASS`Y, starter	
4	31150-42A01	31150-42A01	1	HOUSING ASS`Y, starter	
5	31175HG5100	31175HG5100	1	FRAME ASS`Y, commutator	NOT SALE
6	31281-32C10	31281-32C10	2	BOLT, through	
7	31156-38300	31156-38300	2	O-RING	
8	09280-24003	09280-24003	1	O-RING	
9	31264-35C10	31264-35C10	2	O-RING	
10	31153-49210	31153-49210	1	SEAL, oil	
11	31361-32C00	31361-32C00	1	PLATE, lock	
12	31361-38300	31361-38300	1	WASHER, plate lock	
13	31361-10200	31361-10200	1	RING, shaft snap	
14	31132-32C10	31132-32C10	2	BRUSH SUB ASS`Y, starter	
15	31131-32C20	31131-32C20	2	BRUSH, starter	
16	31114-32C10	31114-32C10	2	SCREW	
17	31135-32C10	31135-32C10	4	SPRING, compression coil	
18	01547-06308	01547-06308	2	BOLT, starting motor(M6×30)	27

FIG 18

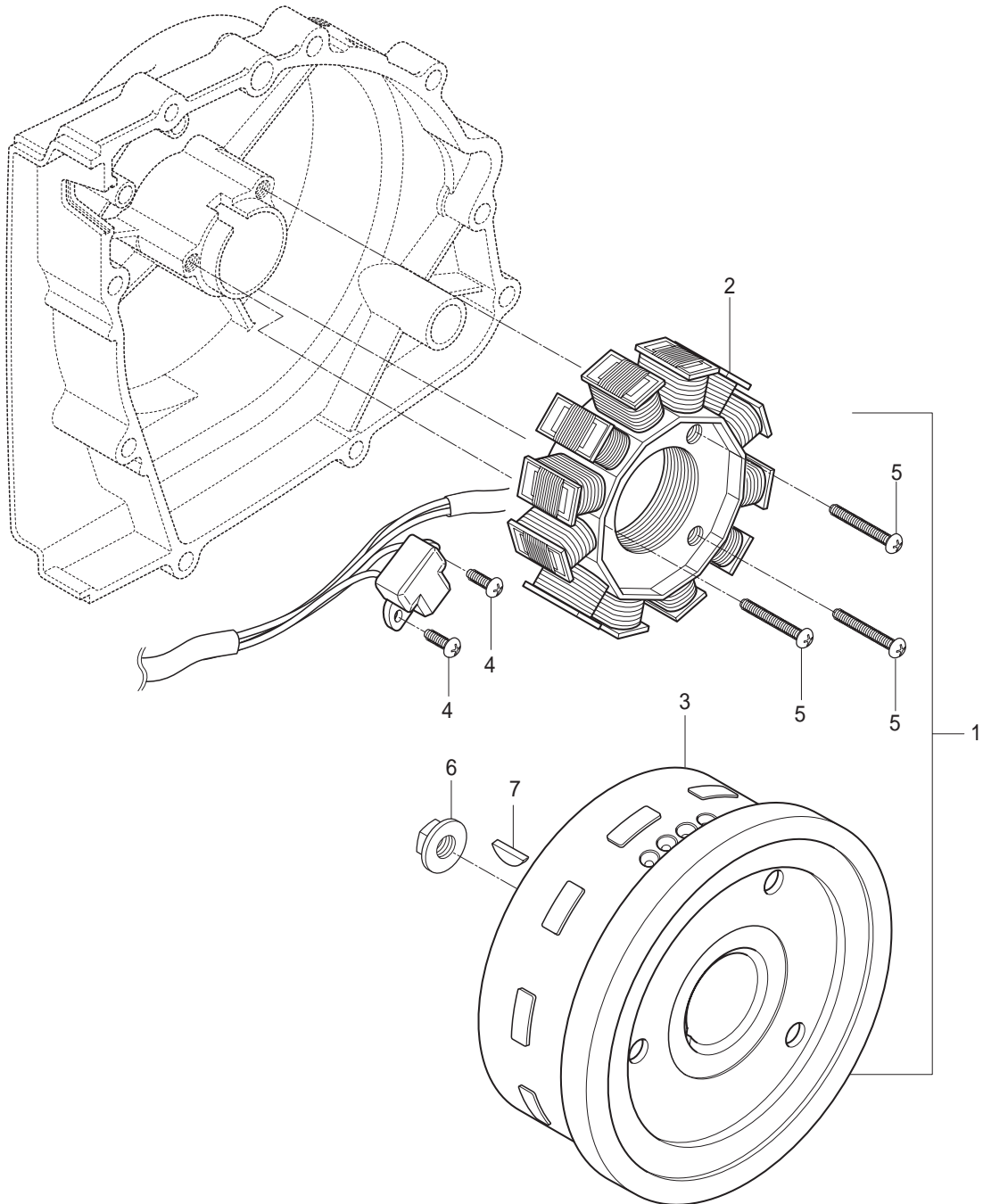


FIG 18. MAGNETO ASS`Y

REF.	PARTS NAME		Q`TY	REMARKS	REC. Q`TY
NO.	RAT01	REU01			(PCS)
1	32100HJ8200	32100HJ8200	MAGNETO ASS`Y	1	5
2	32101HG5100	32101HG5100	STATOR ASS`Y	1	
3	32102HJ8200	32102HJ8200	ROTOR, fly wheel	1	
4	02112-05128	02112-05128	SCREW, pick-up coil(M5X12)	2	
5	02112-05258	02112-05258	SCREW, magneto stato(M5X25)	3	
6	08316-26128	08316-26128	NUT, magneto fly wheel(M12)	1	5
7	08341-31049	08341-31049	KEY, magneto	1	

FIG 19

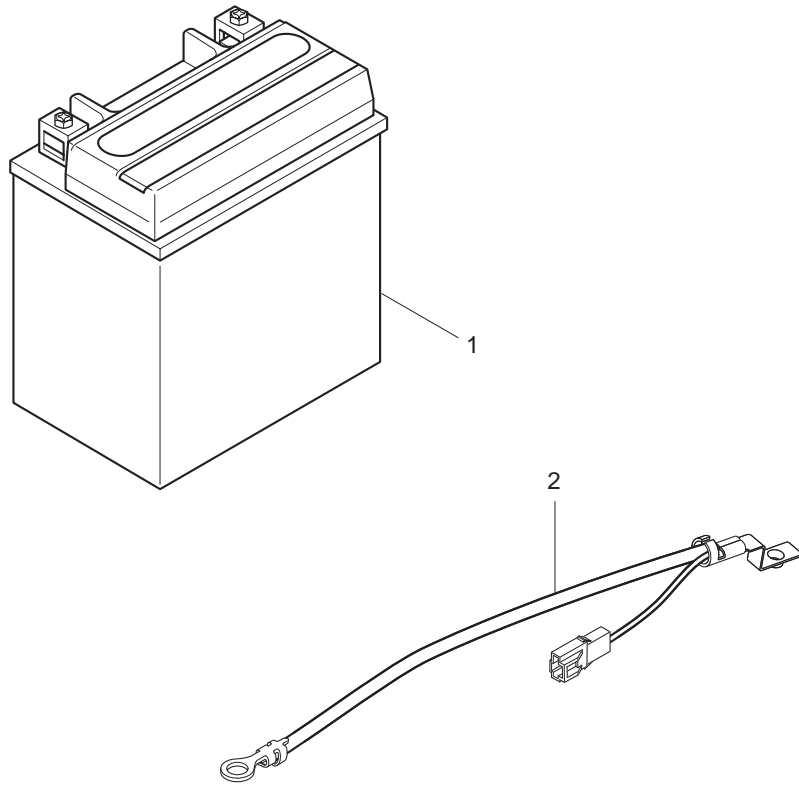


FIG 19. BATTERY

REF.	PARTS NAME		Q`TY	REMARKS	REC. Q`TY
NO.	RAT01	REU01			(PCS)
1	33610HM8100	33610HM8100		BATTERY ASS`Y(12V 12Ah. STX	1
2	33860HM8101	33860HM8101		LEAD WIRE, battery minus(-)	1

FIG 20

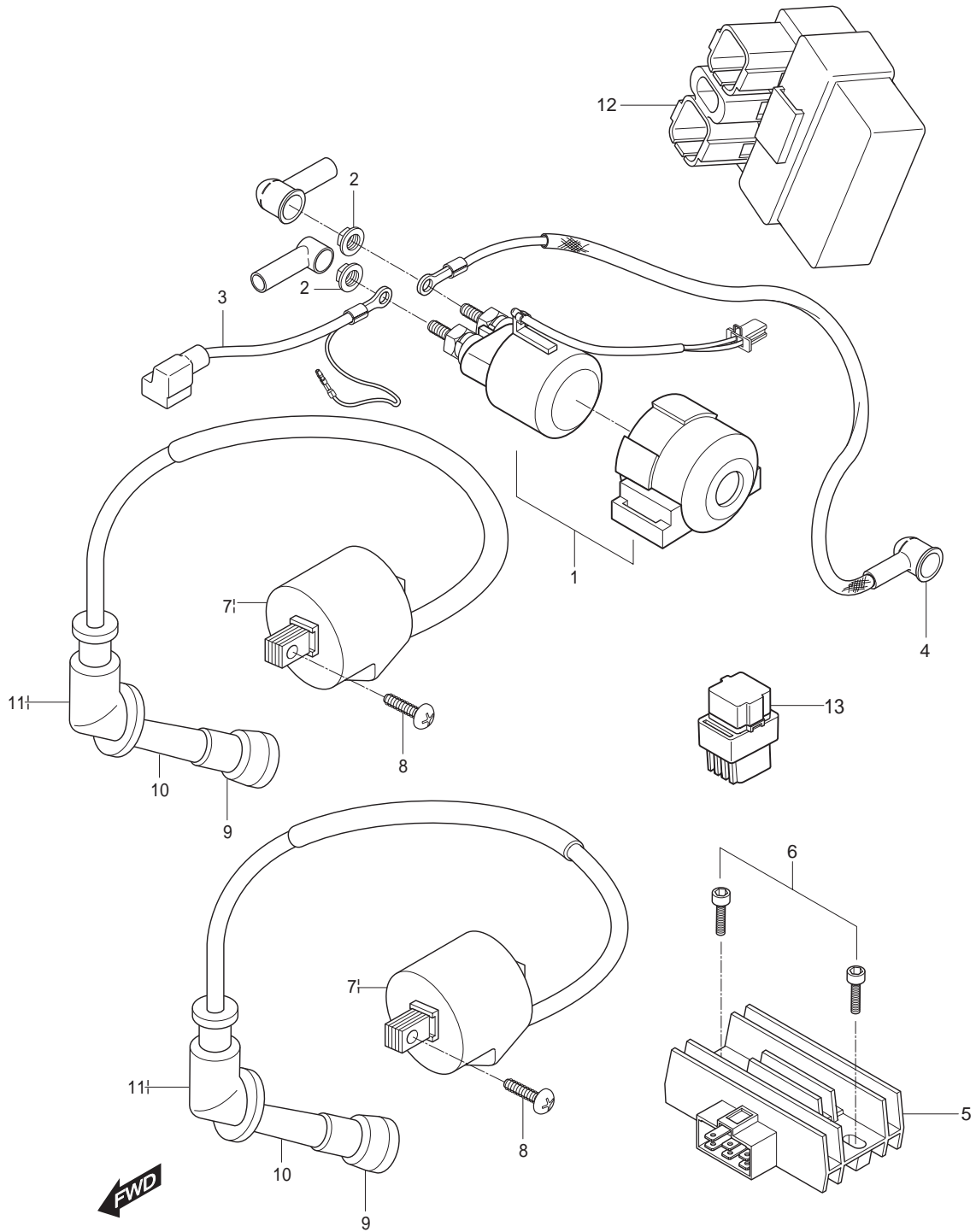
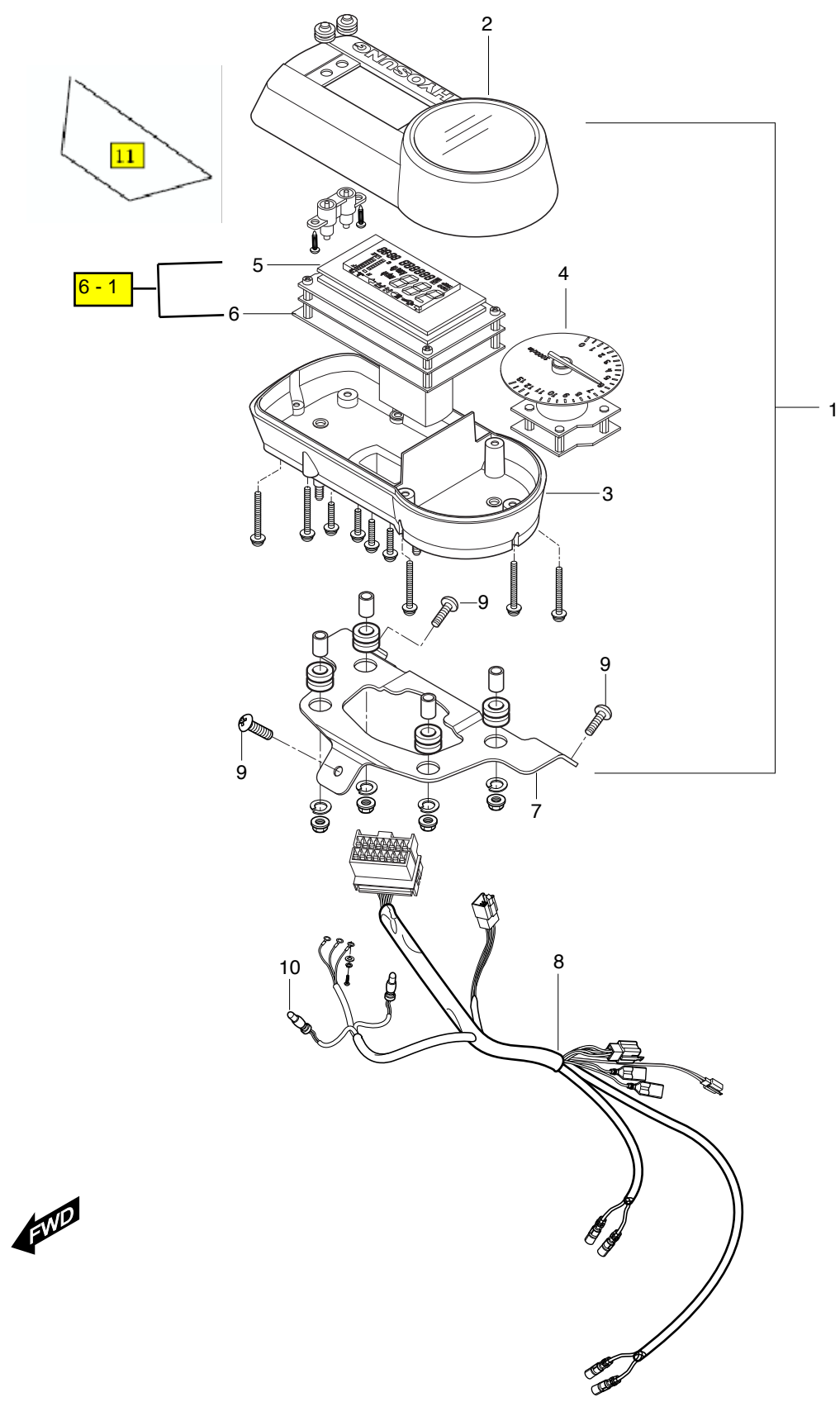


FIG 20. ELECTRICAL

REF.	PARTS NAME		Q`TY	REMARKS	REC. Q`TY
NO.	RAT01	REU01			(PCS)
1	31800HG5100	31800HG5100	1	RELAY ASS`Y, starting motor	10
2	08316-26066	08316-26066	2	NUT, starter motor relay terminal	
3	33840HM8101	33840HM8101	1	LEAD WIRE, battery plus(+)	
4	33850HM8100	33850HM8100	1	LEAD WIRE, starter motor	
5	32800H01413	32800H01413	1	RECTIFIER regulator ASS`Y	10
6	07110-06208	07110-06208	2	BOLT, rectifier	
7	33410HM8100	33410HM8100	2	COIL ASS`Y, ignition	10
8	09128-06035	09128-06035	2	BOLT, ignition coil(M6× 20)	
9	33541-23E01	33541-23E01	2	SEAL, spark plug	
10	33510-05C01	33510-05C01	2	CAP, spark plug	10
11	33542-24D00	33542-24D00	2	SEAL, high tention cord	
12	32900HM8153	32900HM8153	1	CDI UNIT	10
13	38740HM5401	38740HM5401	1	RELAY ASS`Y, fuel pump	

FIG 21



FWD

FIG 21. SPEEDOMETER ASS`Y

REF.	PARTS NAME		Q'TY	REMARKS	REC. Q'TY
NO. RAT01	REU01				(PCS)
1	34100HR8300	34100HR8300	1		5
2	34150HP9200	34150HP9200	1		
3	34160HP9200	34160HP9200	1		
4	34121HR8300	34121HR8300	1		
5	34500HR8300	34500HR8300	1	"NOT SALE"	
6	34600HR8300	34600HR8300	1	"NOT SALE"	
6-1	34111HR8300	34111HR8300	1		
7	34950HP9200	34950HP9200	1		
8	34170HP9201	34170HP9201	1		
9	01517-06208	01517-06208	3		10
10	09471-12072	09471-12072	2		
11	94647HP9200	94647HP9200	1		

FIG.22

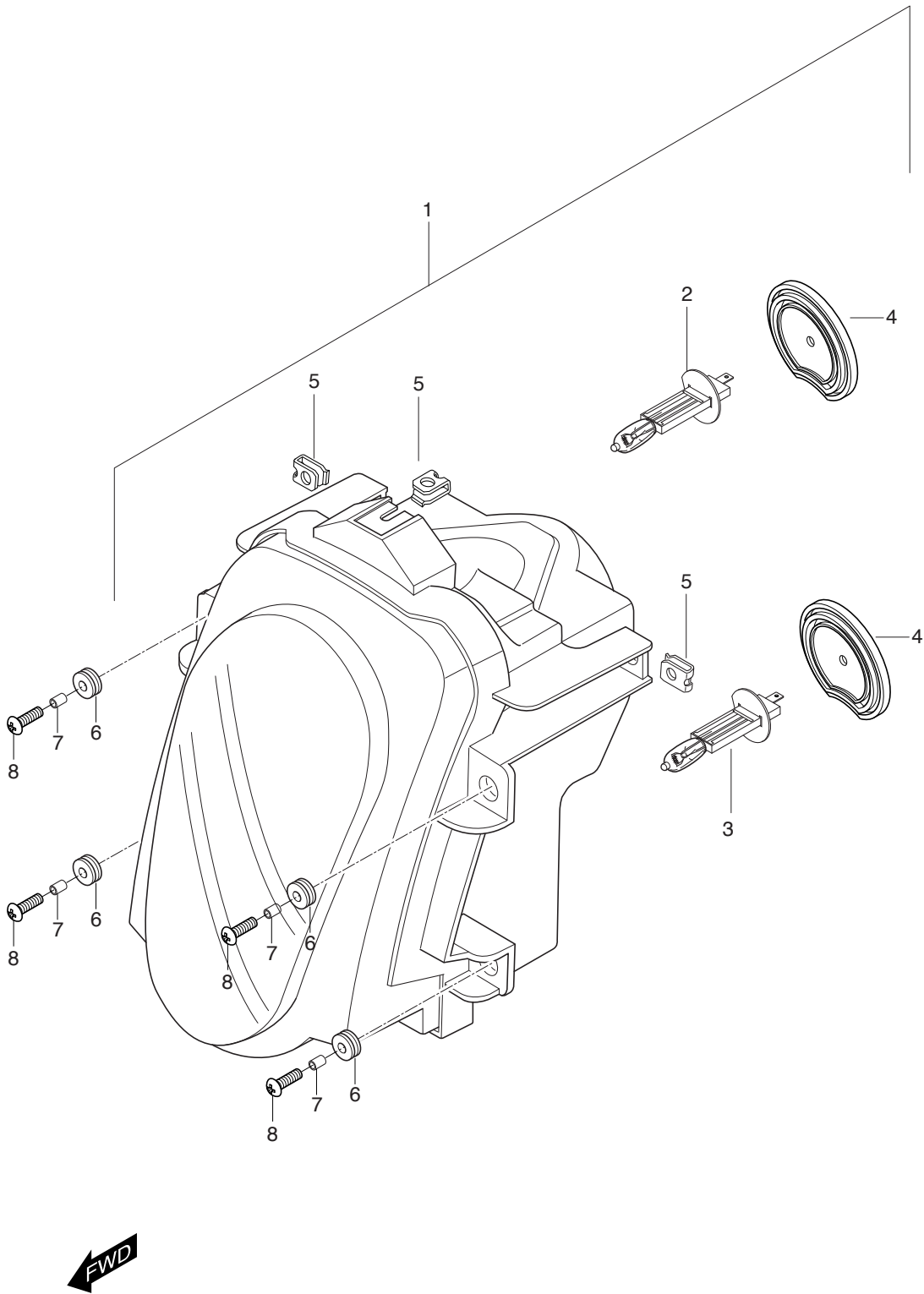


FIG 22. HEAD LAMP

REF.	PARTS NAME		Q'TY	REMARKS	REC. Q'TY
NO.	RAT01	REU01			(PCS)
1	35100HR8350	35100HR8350	1	HEAD LAMP ASS'Y	5
2	09471H12250	09471H12250	1	BULB, head lamp hi(12v H1:55w))	10
3	09471H12230	09471H12230	1	BULB, head lamp hi(12v H3:55w))	10
4	35173HP9200	35173HP9200	2	DUST COVER	
5	09148-05039	09148-05039	3	NUT, head lamp speedometer	45
6	09320-09016	09320-09016	4	CUSHION, head lamp & brace comp	
7	09180-06011	09180-06011	4	SPACER, head lamp & brace comp	10
8	09136-06113	09136-06113	4	BOLT, head lamp & brace comp	
9	35193HP9200	35193HP9200	1	TAPE,CUSH HEAD LAMP R	10
10	35194HP9200	35194HP9200	1	TAPE,CUSH HEAD LAMP L	10

FIG 23

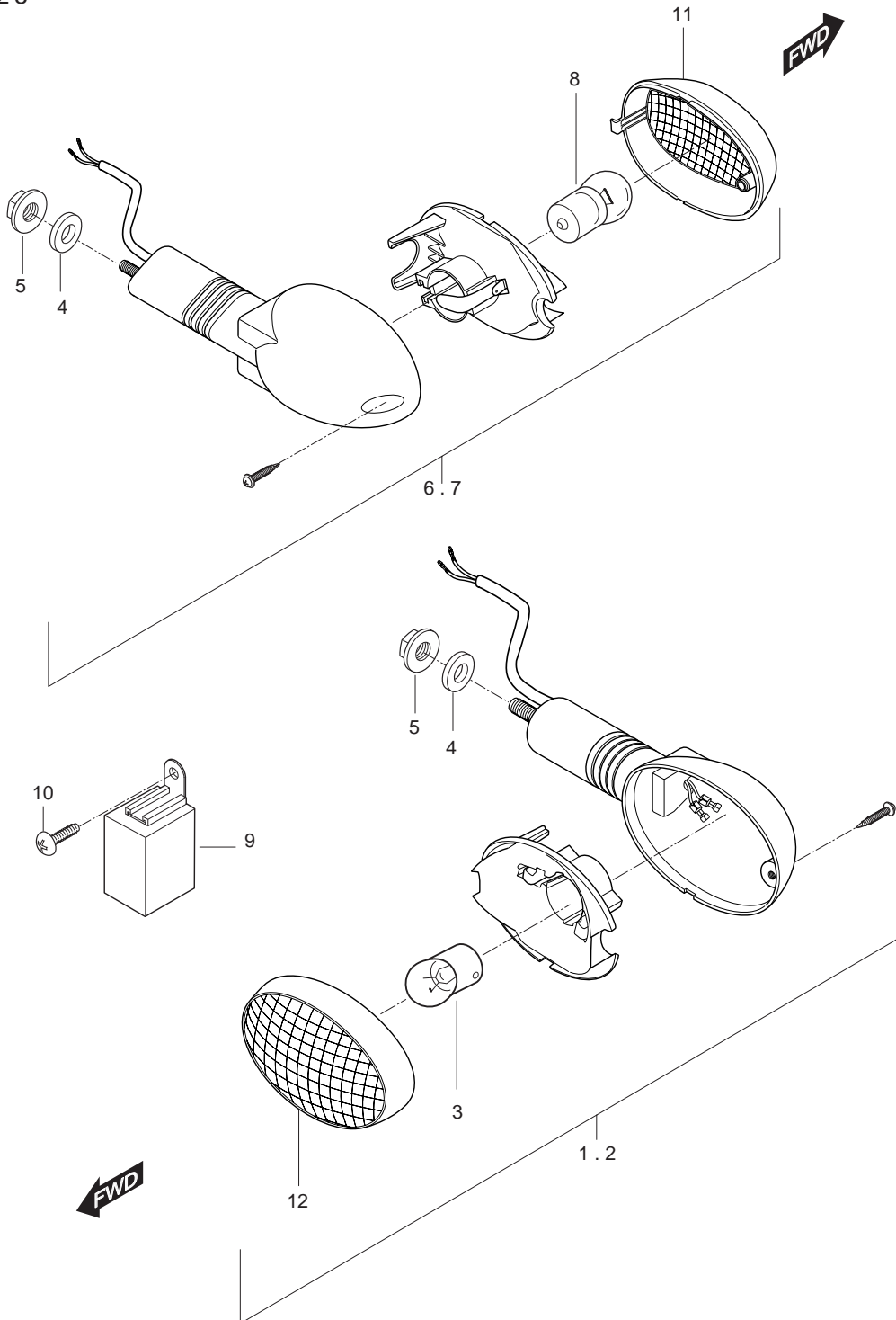


FIG 23. FRONT TURNSIGNAL LAMP

REF.	PARTS NAME		Q'TY	REMARKS	REC. Q'TY
NO.	RAT01	REU01			(PCS)
1	35601HP9250	35601HP9250	1	LAMP ASS'Y, FT turnsignal R	10
2	35602HP9250	35602HP9250	1	LAMP ASS'Y, FT turnsignal L	10
3	09471-12003	09471-12003	2	BULB, FT turnsignal lamp(12V, 10'	
4	09160-06019	09160-06019	4	WASHER, FT turnsignal lamp	
5	08316-26066	08316-26066	4	NUT, FT turnsignal lamp	
6	35603HM8151	35603HM8151	1	LAMP ASS'Y, RR turnsignal R	10
7	35604HM8151	35604HM8151	1	LAMP ASS'Y, RR turnsignal L	10
8	09471-12003	09471-12003	2	BULB, RR turnsignal lamp(12V, 10	
9	38610HL7300	38610HL7300	1	RELAY ASS'Y, turnsignal	
10	01517-06206	01517-06206	1	BOLT, turnsignal, relay	
11	35612HM8100	35612HM8100	2	LENS, FT turnsignal R	40
12	35632HM8100	35632HM8100	2	LENS, FT turnsignal L	40

FIG 24

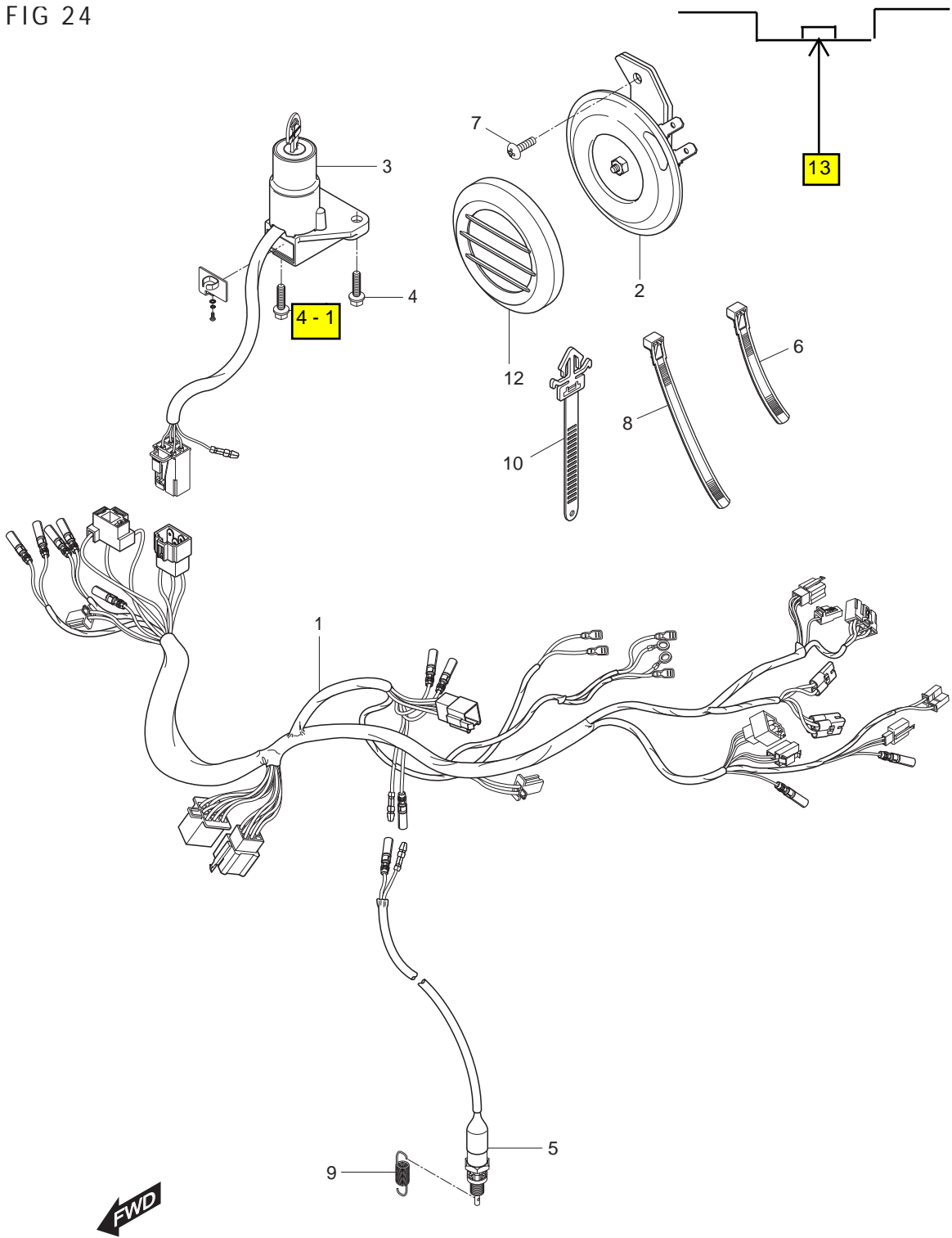
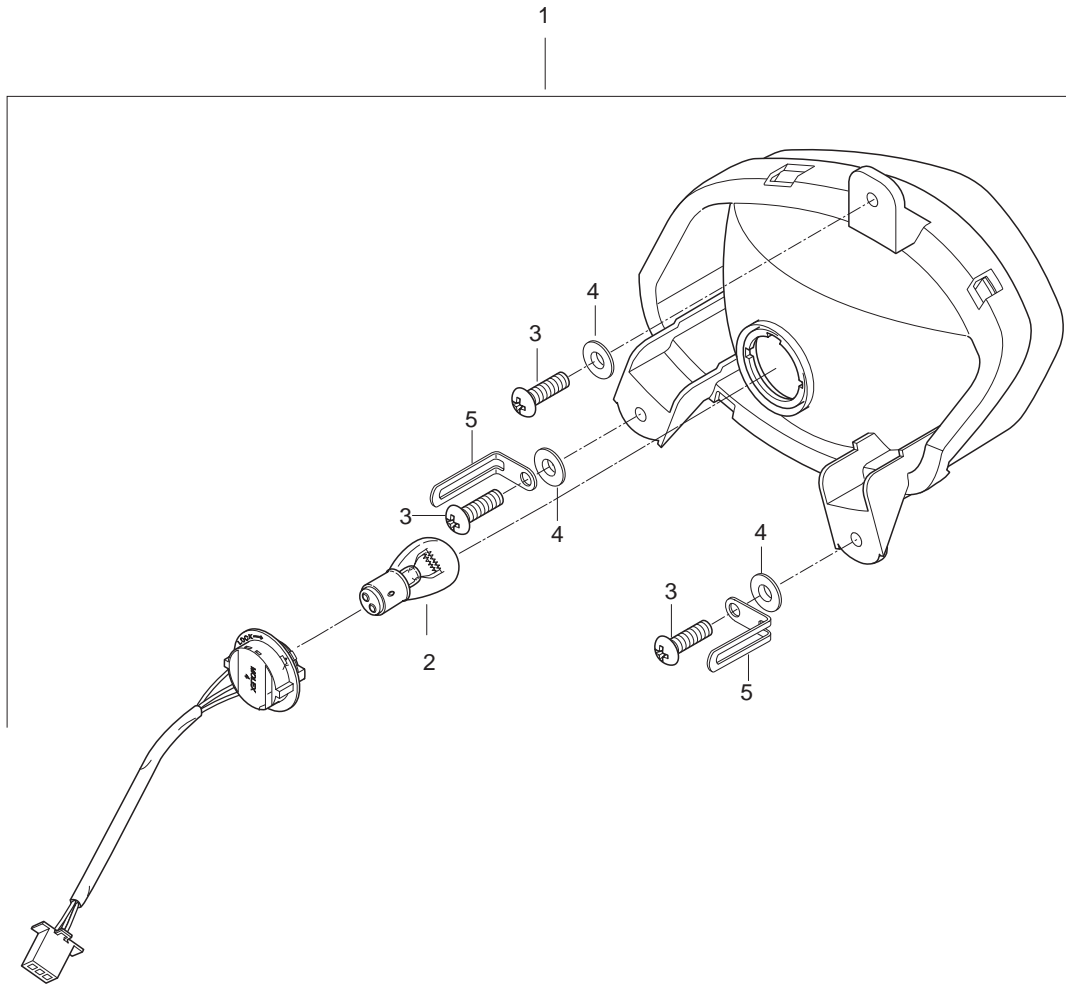


FIG 24. WIRING HARNESS

REF.	PARTS NAME		Q'TY	REMARKS	REC. Q'TY
NO. RAT01	REU01				(PCS)
1	36610HR8351	36610HR8351	HARNES, wiring	1	5
2	38500HR8300	38500HR8300	HORN ASS'Y	1	10
3	37000HP9200	37000HP9200	LOCK ASS;βY, steering	1	5
4	01517-06168	01517-06168	BOLT, steering lock	2	
4-1	09139H06016	09139H06016	BOLT, steering lock	1	
5	37740H04512	37740H04512	SWITCH ASS'Y, brake lamp	1	~KM4MJ51EX61100000
5~1	37740HN9100	37740HN9100	SWITCH ASS'Y, brake lamp	1	KM4MJ51EX61100001~
6	09407-14403	09407-14403	CLAMP, wiring harness	8	
7	01517-06128	01517-06128	BOLT, HORN	1	KM4MJ51EX61100001~
8	09407-22402	09407-22402	CLAMP, wiring harness	2	
9	09443H06006	09443H06006	SPRING	1	
10	09407-14408	09407-14408	CLAMP, wiring harness	5	
11	41495HN9101	41495HN9101	GUIDE CLAMP, horn	3	NEWLY
12	38510H93B00	38510H93B00	COVER HORN	1	
13	38520HR8300	38520HR8300	BRACKET, HORN	1	
14	09404-06401	09404-06401	CLAMP, wiring harness	1	KM4CA15C361125240~

FIG 25



FWD

FIG 25. REAR COMBINATION

REF.	PARTS NAME		Q'TY	REMARKS	REC. Q'TY
NO.	RAT01	REU01			(PCS)
1	35710HM8152	35710HM8152	1	LAMP ASS'Y, tail & stop	10
2	09471-12047	09471-12047	1	BULB, tail & stop(12V 21/5W)	
3	03241-05166	03241-05166	3	SCREW, tail & stop	
4	09160-05017	09160-05017	3	WASHER, tail & stop	
5	09404-06401	09404-06401	2	CLAMP, tail & stop	

FIG 26

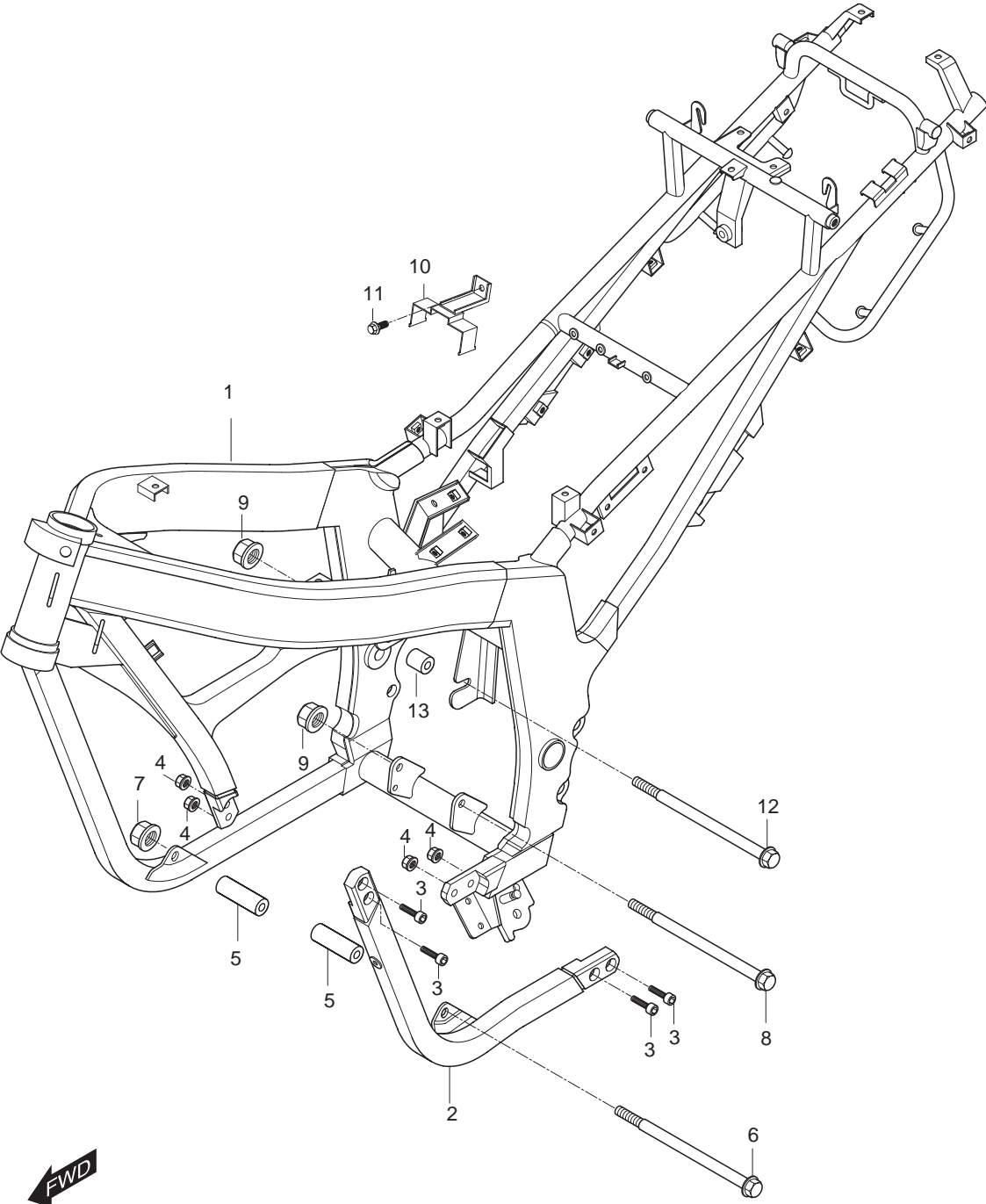


FIG 26. FRAME

REF.	PARTS NAME		Q'TY	REMARKS	REC. Q'TY
NO.	RAT01	REU01			(PCS)
1	41100HR830003P	41100HHR835003P	FRAME COMP		1
2	41150HR830003P	41150HR830003P	TUBE COMP, frame down L		5
3	07110-08258	07110-08258	BOLT, frame joint		4
4	08316-16088	08316-16088	NUT, frame joint		4
5	41161HM8100	41161HM8100	SPACER, frame & engine front L=5		2
6	09103H10099	09103H10099	BOLT, frame & engine frontL=228		1
7	08319-31106	08319-31108	NUT, frame & engine front		1
8	09103H10022	09103H10022	BOLT, frame & engine rear lower L		1
9	08319-31106	08319-31108	NUT, frame & engine rear		1
10	41320HM8100	41320HM8100	PLATE COMP, C D I		1
11	01517-06206	01517-06206	BOLT, C D I plate		1
12	09103H10153	09103H10153	BOLT, frame & engine rear upper L		1
13	41171HM8100	41171HM8100	SPACER, frame & engine rear uppe		1

FIG 27

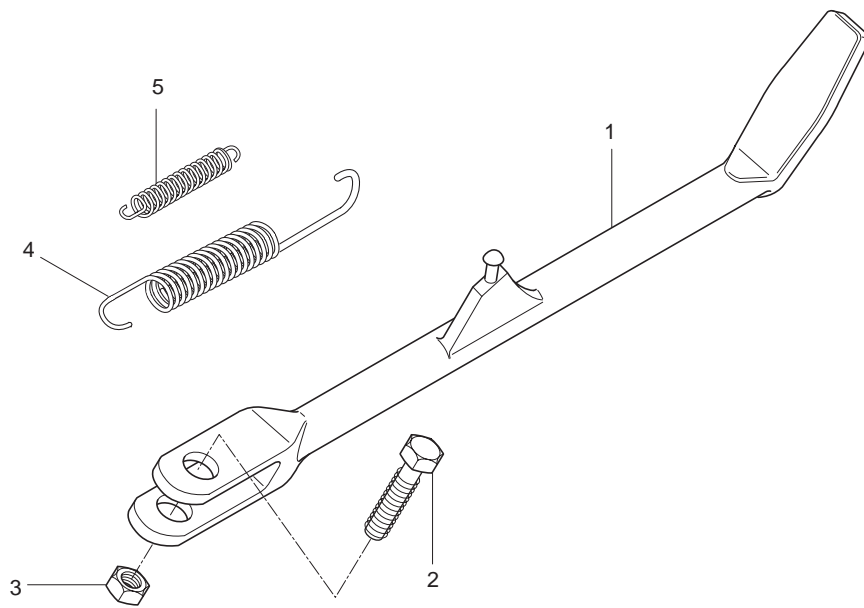


FIG 27. PROP STAND

REF.	PARTS NAME		Q'TY	REMARKS	REC. Q'TY
NO.	RAT01	REU01			(PCS)
1	42310HN910003P	42310HN910003P	1		5
1~1		42310HN9150120	1	KM4MJ51E061100492~	5
2	09100-10031	09100-10031	1	BOLT, prop stand(M10×30)	
3	08310-22106	08310-22106	1	NUT, prop stand(M10)	
4	09443-15047	09443-15047	1	SPRING, prop stand	
5	09443-06001	09443-06001	1	SHIM, prop stand	

FIG 28

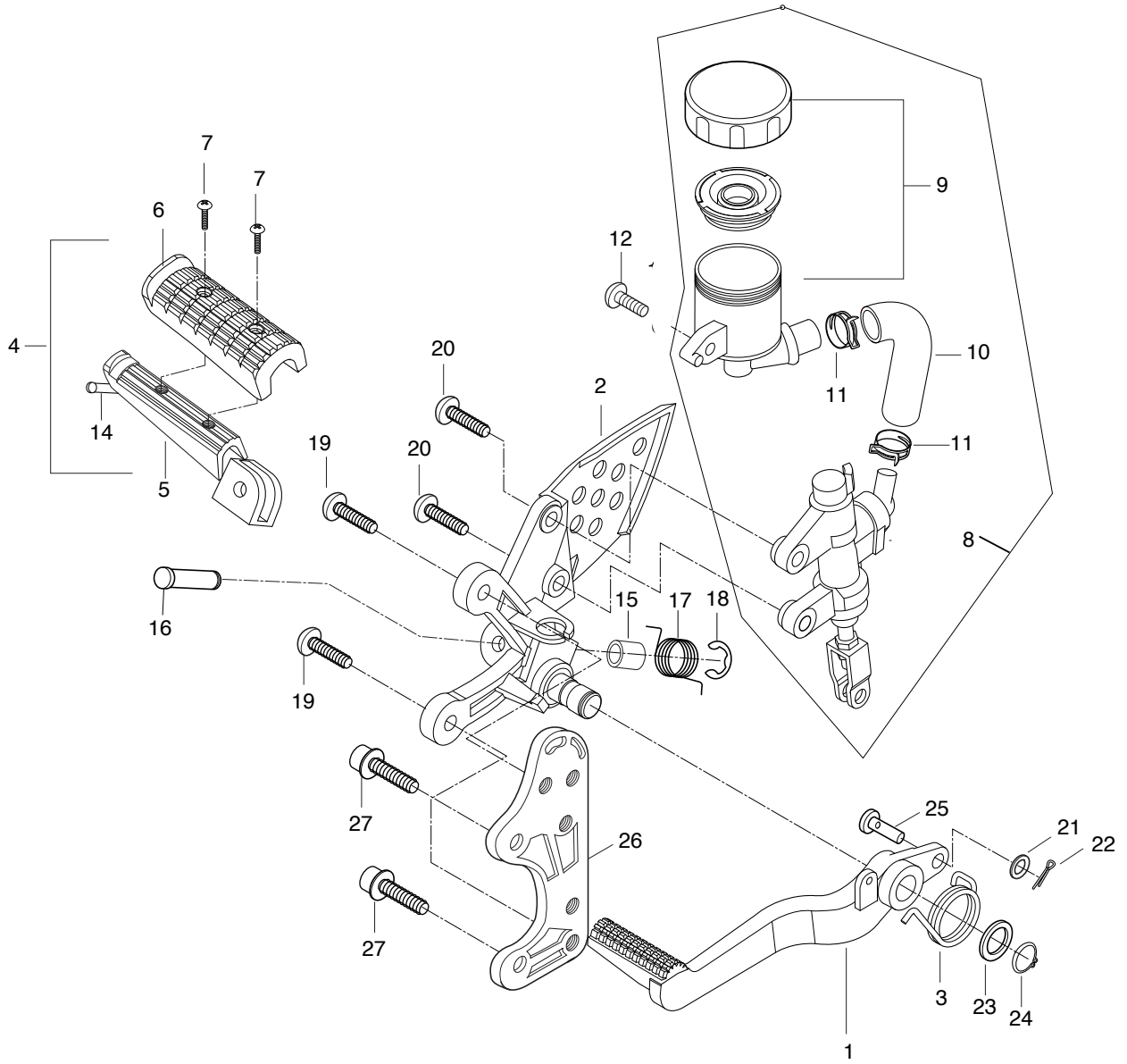


FIG 28. REAR BRAKE

REF.	PARTS NAME		Q`TY	REMARKS	REC. Q'TY
NO.	RAT01	REU01			(PCS)
1	43110HM810003P	43110HM810003P	1	PEDAL COMP, brake	5
2	43530HM810603P	43530HM810603P	1	BRACKET COMP, front footrest R	5
3	09448H30002	09448H30002	1	SPRING, brake pedal return	5
4	43560HM8100	43560HM8100	1	FOOTREST ASS'Y, front R	5
5	43561HM8100	43561HM8100	1	FOOTREST, bar front R	
6	43530H30A40	43530H30A40	1	RUBBER COMP, front footrest R	
7	02112-05126	02112-05126	2	SCREW, front footrest	
8	69609HN9100	69609HN9100	1	CYLINDER ASS'Y rear master	5
9	69740HM8100	69740HM8100	1	TANK ASS'Y reserver	
10	69700HM8101	69700HM8101	1	HOSE ASS'Y reserver	5
11	09400H13001	09400H13001	2	CLMAP, reserver tank hose	
12	01517-06168	01517-06168	1	BOLT, reserver tank	5
14	43533H30A40	43533H30A40	1	BOLT, front footrest bar	
15	09180H08008	09180H08008	1	SPACER, front footrest	10
16	43579HM8101	43579HM8101	1	PIN, front footrest	10
17	09448H14007	09448H14007	1	SPRING, front footrest	10
18	08332-11079	08332-11079	1	E-RING, front footrest	10
19	07120-08208	07120-08208	2	BOLT, front footrest bracket	15
20	07120-08258	07120-08258	2	BOLT, master cylinder	40
21	08322-21068	08322-21068	1	WASHER, rear master cylinder	5
22	04111-20208	04111-20208	1	COTTER PIN, rear master cylinder	10
23	09160H15002	09160H15002	1	WASHER, brake pedal	10
24	08331-31159	08331-31159	1	CIRCLIP, brake pedal	10
25	09200H06040	09200H06040	1	PIN, rear master cylinder	5
26	43550HP9201	43550HP9201	2	BRKT, front footrest back step R	
27	07120-08258	07120-08258	2	BOLT,grip handle	40

NOT SALE

FIG 29

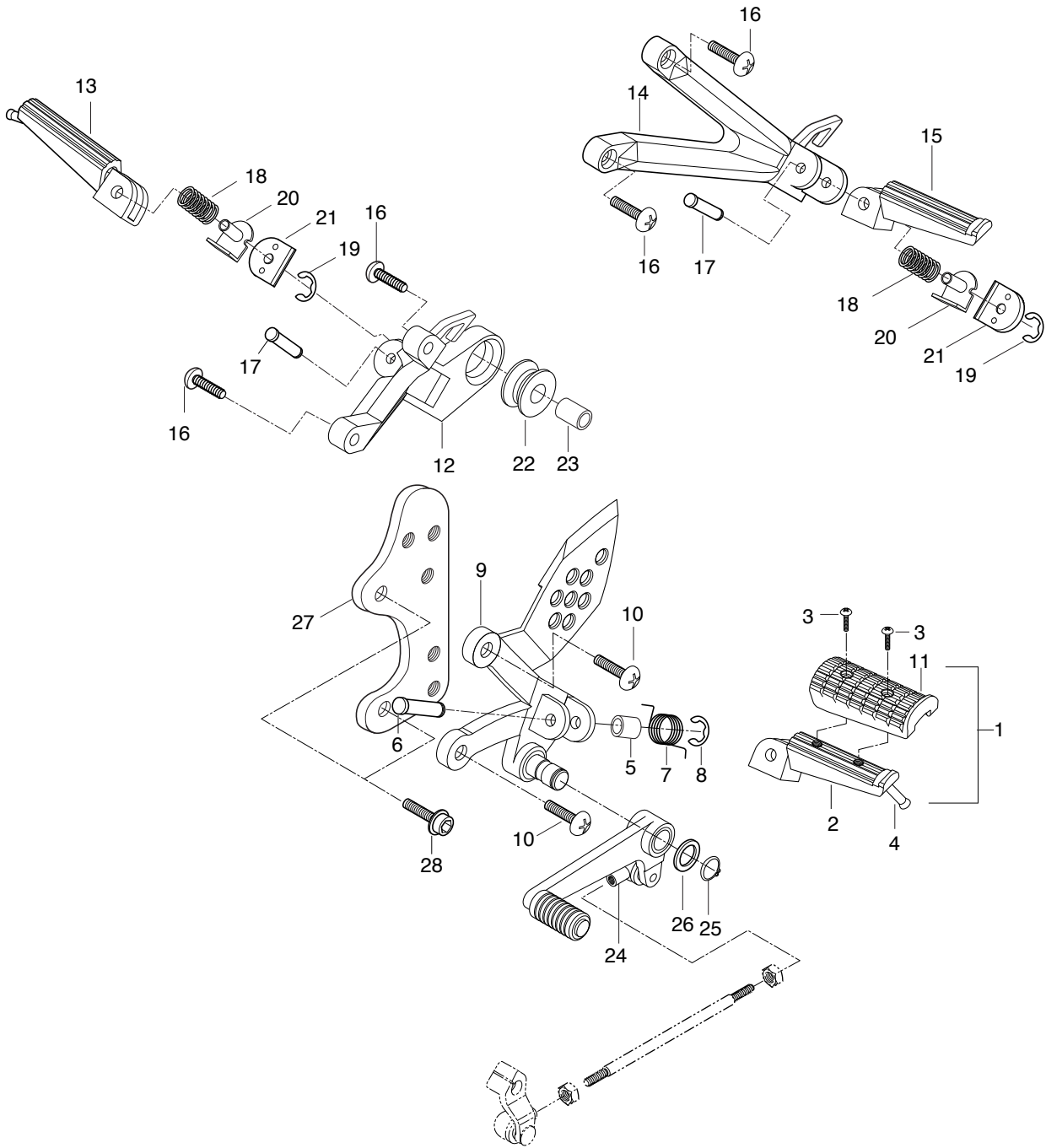
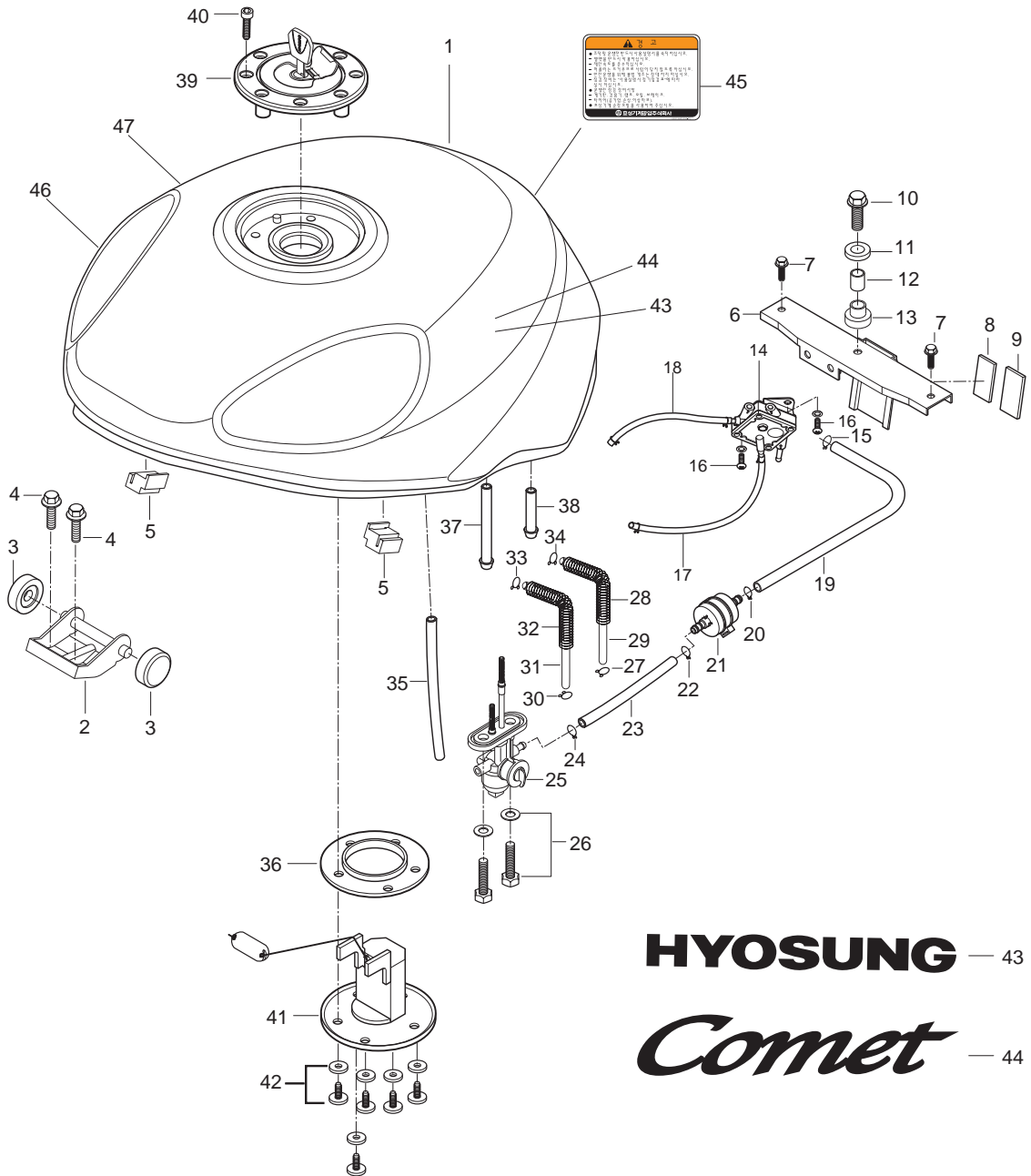


FIG 29. FOOTREST

REF.	PARTS NAME		Q'TY	REMARKS	REC. Q'TY
NO.	RAT01	REU01			(PCS)
1	43570HM8100	43570HM8100	1	FOOTREST ASS'Y, front L	5
2	43571HM8100	43571HM8100	1	FOOTREST BAR, front L	
3	02112-05126	02112-05126	2	SCREW, front footrest	
4	43533H30A40	43533H30A40	1	BOLT, front footrest bar	
5	09180H08008	09180H08008	1	SPACER, front footrest	10
6	43579HM8101	43579HM8101	1	PIN, front footrest bar	10
7	09448H14007	09448H14007	1	SPRING, front footrest	10
8	08332-11079	08332-11079	1	E-RING, front footrest	10
9	43540HN910103P	43540HN910103P	1	BRACKET COMP, front footrest L	5
10	07120-08258	07120-08258	2	BOLT, front footrest bracket	40
11	43532H30A40	43532H30A40	1	RUBBER, front footrest	
12	43621HM810403P	43621HM810403P	1	BRACKET, pillion footrest R	
13	43661HM8101	43661HM8101	1	FOOTREST BAR, pillion R	5
14	43721HM810403P	43721HM810403P	1	BRACKET, pillion footrest L	5
15	43671HM8101	43671HM8101	1	FOOTREST BAR, pillion L	5
16	07120-08258	07120-08258	4	BOLT, pillion footrest bracket	40
17	43679HM8101	43679HM8101	2	PIN, pillion footrest	10
18	09448H08008	09448H08008	2	SPRING, pillion footrest	10
19	08332-11048	08332-11048	2	E-RING, pillion footrest	10
20	43631HM8101	43631HM8101	2	PLATE, pillion stopper No.1	10
21	43641HM8101	43641HM8101	2	PLATE, pillion stopper No.2	10
22	09320-14015	09320-14015	1	CUSHION, muffler support	5
23	09180-10044	09180-10044	1	SPACER, muffler support	5
24	25600HR830003P	25600HR830003P	1	LEVER COMP, gear shift cam	
25	08331-31159	08331-31159	1	CIRCLIP, gear shift lever	10
26	09160H15002	09160H15002	1	WASHER, gear shift lever	10
27	43560HP9201	43560HP9201	1	BRKT, front footrest back step L	
28	07120-08258	07120-08258	2	BOLT, front footrest back step	40

FIG 30



HYOSUNG — 43

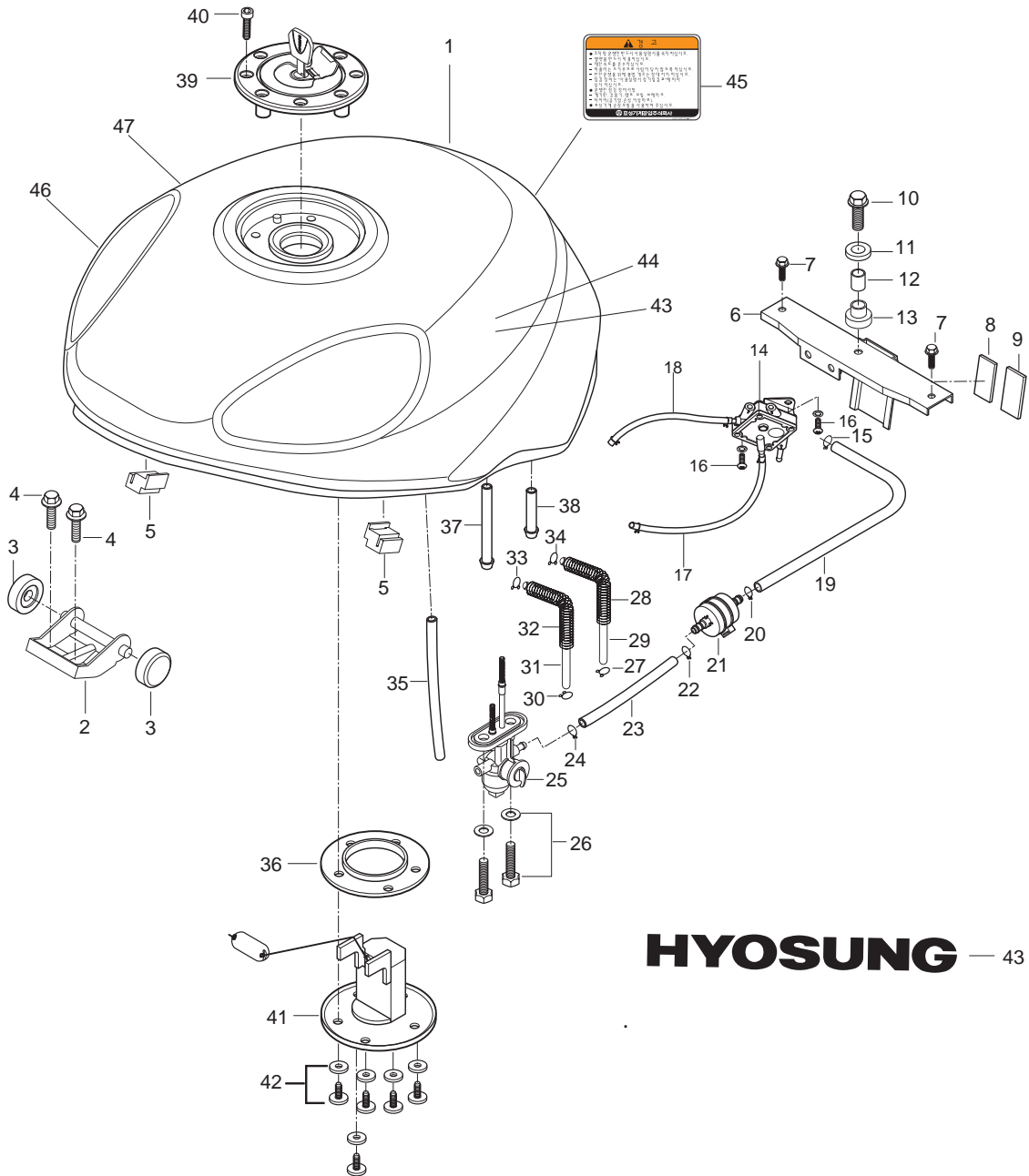
Comet — 44



FIG 30. FUEL TANK

REF.	PARTS NAME		Q'TY	REMARKS	REC. Q'TY	
NO.	RAT01	REU01			(PCS)	
1	44110HN9121	44110HN9121	F/TANK COMP (With EMB HYOS	1	CBK,CDR,CMO	2
2	44520HM8100	44520HM8100	BRKT COMP, fuel tank front	2		
3	09329-10007	09329-10007	CUSHION, fuel tank front	2		
4	01517-06206	01517-06206	BOLT, fuel tank front brkt	2		
5	09329H28001	09329H28001	CUSHION, fuel tank side	2		
6	44530HM8100	44530HM8100	BRKT COMP, fuel tank RR	2		
7	01517-06206	01517-06206	BOLT, fuel tank RR brkt	1		
8	44613HE7100	44613HE7100	CUSHION, fuel tank RR brkt & batt	1		
9	44218HF4500	44218HF4500	CUSHION, fuel tank RR brkt & batt	1		
10	09116H08078	09116H08078	BOLT, fuel tank RR	1		
11	09320-14013	09320-14013	CUSHION, fuel tank RR up	1		
12	09180H08007	09180H08007	SPACER, fuel tank RR cushion	1		
13	09320H10020	09320H10020	CUSHION, fuel tank RR lower	1		
14	15100HG5100	15100HG5100	PUMP ASS'Y, fuel	1		
15	09401H11401	09401H11401	CLIP, strainer outlet No.2	1		
16	02112-06168	02112-06168	SCREW, fuel pump	2		
17		44199HF1600	HOSE, fuel pump vacuum	1		
18	15831HK2700	15831HG2602	HOSE, fuel pump No.1	1		
19	44199HM8100	44199HM8100	HOSE, strainer outlet(L=118)	1		10
20	09401-10401	09401-10401	CLIP, strainer outlet No.2	1		
21	44910HG2600	44910HG2600	STRAINER COMP, fuel	1		10
22	09401-10401	09401-10401	CLIP, strainer inlet	1		
23	44198HE6101	44198HE6101	HOSE, vacum	1		
24	09401H11401	09401H11401	CLIP, strainer inlet	1		

FIG 30



HYOSUNG — 43



FIG 30. FUEL TANK

REF.	PARTS NAME		Q`TY	REMARKS	REC. Q`TY
NO.	RAT01	REU01			(PCS)
25	44300HM8150	44300HM8150	1	COCK ASS`Y, fuel	KM4MJ51B441100563 ~
26	09168-06010	09168-06010	2	GASKET,F/level gauge	
27	09401-08401	09401-08401	2	CLIP, fuel reserve No.1	
28	09440-10009	09440-10009	1	SPRING, fuel on(L=120)	
29			1	HOSE, fuel on	
30			1	CLIP, fuel on No.1	
31			1	HOSE, fuel reserve	
32	09440-10009	09440-10009	1	SPRING, fuel reserve(L=180)	
33	09401-10401	09401-10401	1	CLIP, fuel reserve No.2	
34	09401-10401	09401-10401	1	CLIP, fuel on No.2	
35	09352H70103650	09352H70103650	1	HOSE, fuel tank drain(L=650)	
36	44118-01D30	44118-01D30	1	PLATE, fuel tank inlet	NOT SALE
37			1	FILTER, fuel on	
38			1	FILTER, fuel reserve	
39	44200H35C30	44200H35C30	1	CAP ASS`Y, fuel tank filler	
40	09106-05017	09106-05017	4	BOLT, fuel tank filler	
41	34810HM8102	34810HM8102	1	GAUGE ASS`Y, fuel level sender	
42	01134-05106	01134-05106	5	BOLT, fuel level sender	
43	68120HN9100015	68120HN9100015	2	EM, HYOSUNG	OMO, ODR
	68120HN910003P	68120HN910003P	2	EM, HYOSUNG	SBK
45	68319H05350PL	68319H05350PL	1	PLATE, CAUTION	
46	44215HM8100	44215HM8100	1	CUSHION,f/tank in2	
47	44216HM8100	44216HM8100	1	CUSHION,f/tank in3	

FIG 31

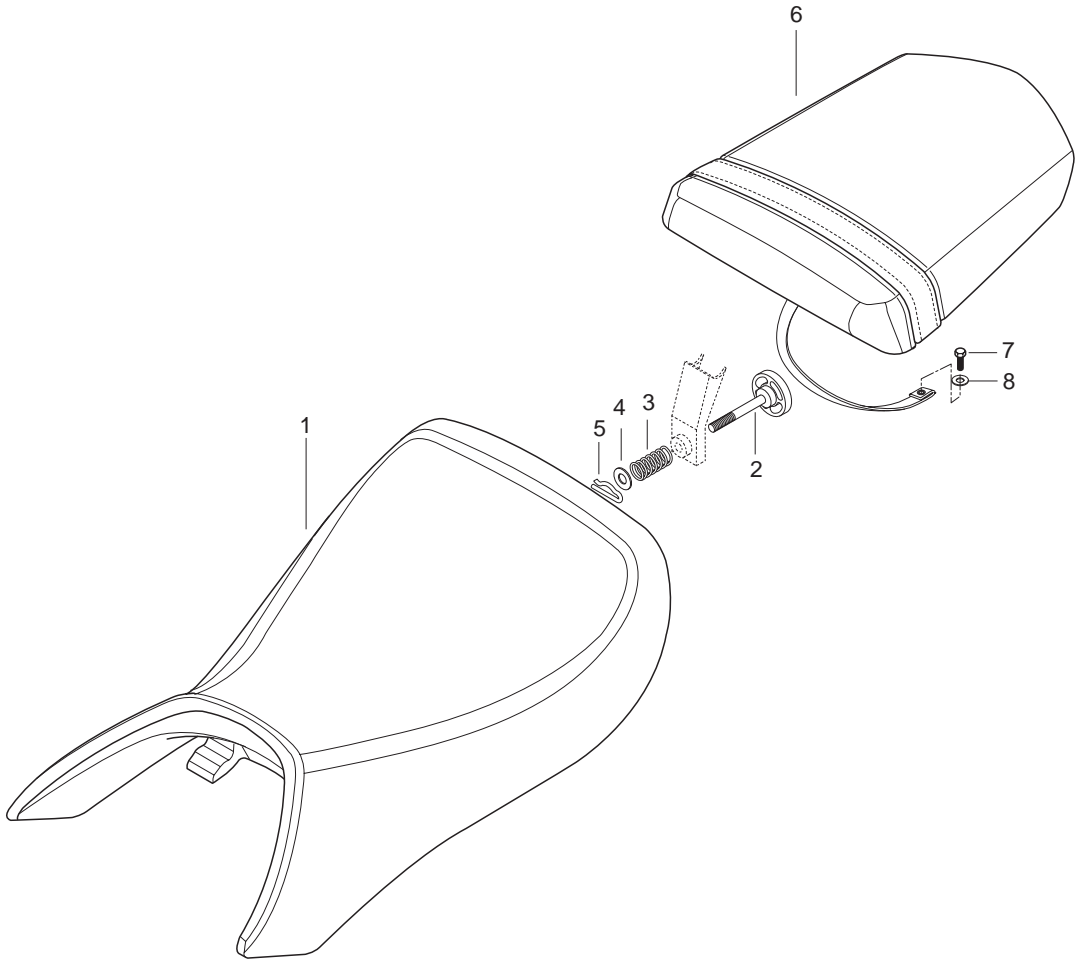


FIG 31. SEAT

REF.	PARTS NAME		Q`TY	REMARKS	REC. Q'TY
NO.	RAT01	REU01			(PCS)
1	45110HM8101	45110HM8101	1	SEAT SET, front	5
2	45120HM8101	45120HM8101	1	KNOB COMP, seat front	
3	09440-11016	09440-11016	1	SPRING, seat front knob	
4	08322-11088	08322-11088	1	WASHER, seat front knob	
5	04111-20208	04111-20208	1	PIN, seat front knob	
6	45200HP9200	45200HP9200	1	SEAT SET, rear	5
7	01517-06206	01517-06206	1	BOLT, rear seat	
8	09160-06057	09160-06057	1	WASHER, rear seat	

FIG 32

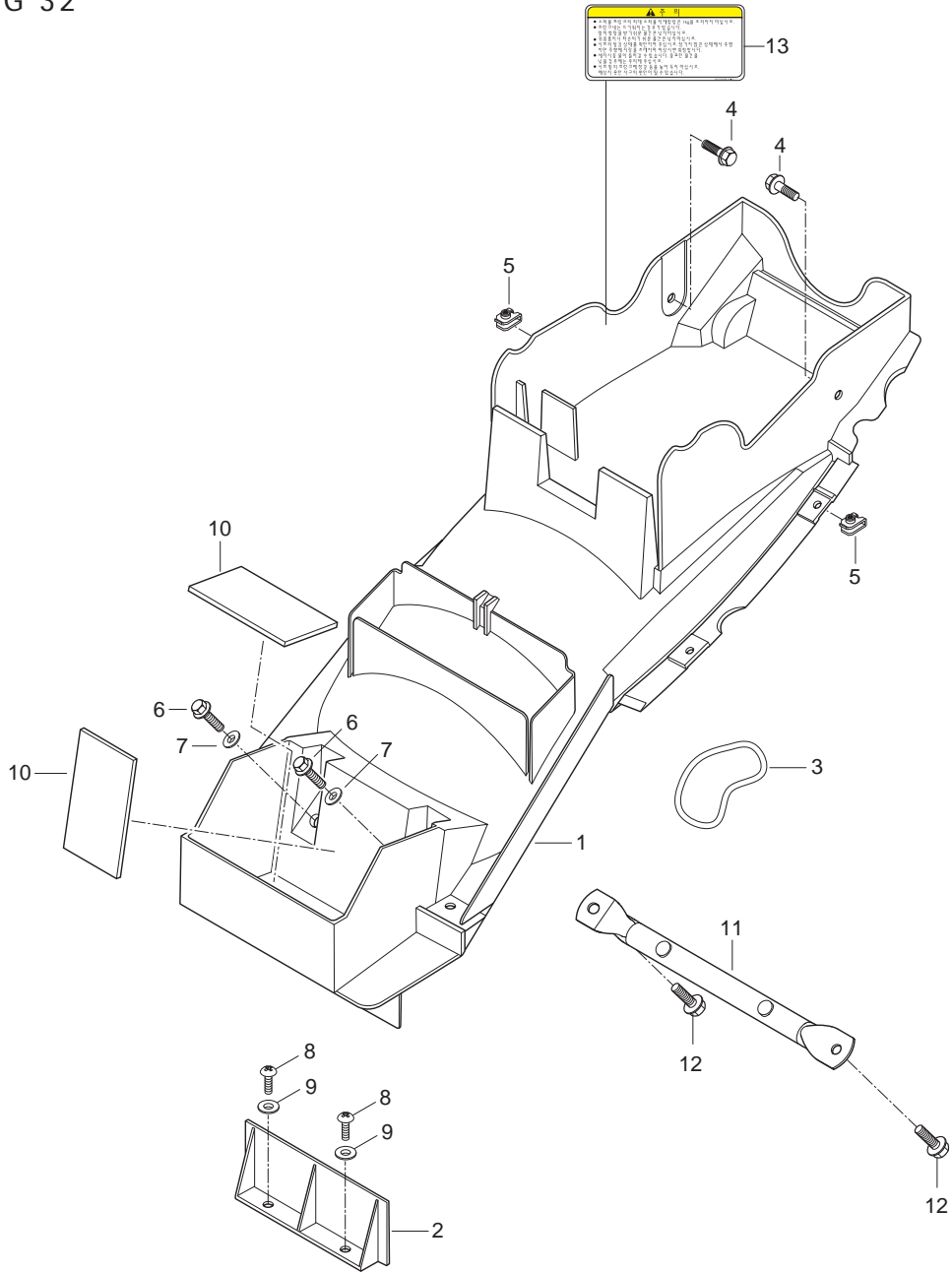


FIG 32. REAR FENDER

REF.	PARTS NAME		Q`TY	REMARKS	REC. Q'TY
NO.	RAT01	REU01			(PCS)
1	63112HM810312A	63112HM810312A	FENDER, rear front	1	5
2	63113HM810112A	63113HM810112A	FENDER, rear lower	1	5
3	09280-63003	09280-63003	BAND, tool	1	
4	09111H06066	09111H06066	BOLT, rr fender ft up	2	
5	09148-05039	09148-05039	NUT, rr fender ft	2	
6	01517-06206	01517-06206	BOLT, rr fender ft & frame side tub	2	
7	09169-06032	09169-06032	WASHER, rr fender ft & frame side	2	
8	02142-06166	02142-06166	SCREW, rr fender lower	2	
9	09169-06032	09169-06032	WASHER, rr fender lower	2	
10	41589HG5900	41589HG5900	CUSHION, rr fender ft & battery(10	2	
11	63120HM810003P	63120HM810003P	TUBE COMP, RR fender FT & frm	1	~KM4MJ51E361100162
11~1	63120HM810103P	63120HN9150120	TUBE COMP, RR fender FT & frm	1	KM4MJ51E361100163~
12	01517-08168	01517-08168	BOLT, frm side tube	2	
13	68350HM8150PL	68350HM8150PL	LABEL, caution NO,1	1	

FIG 33

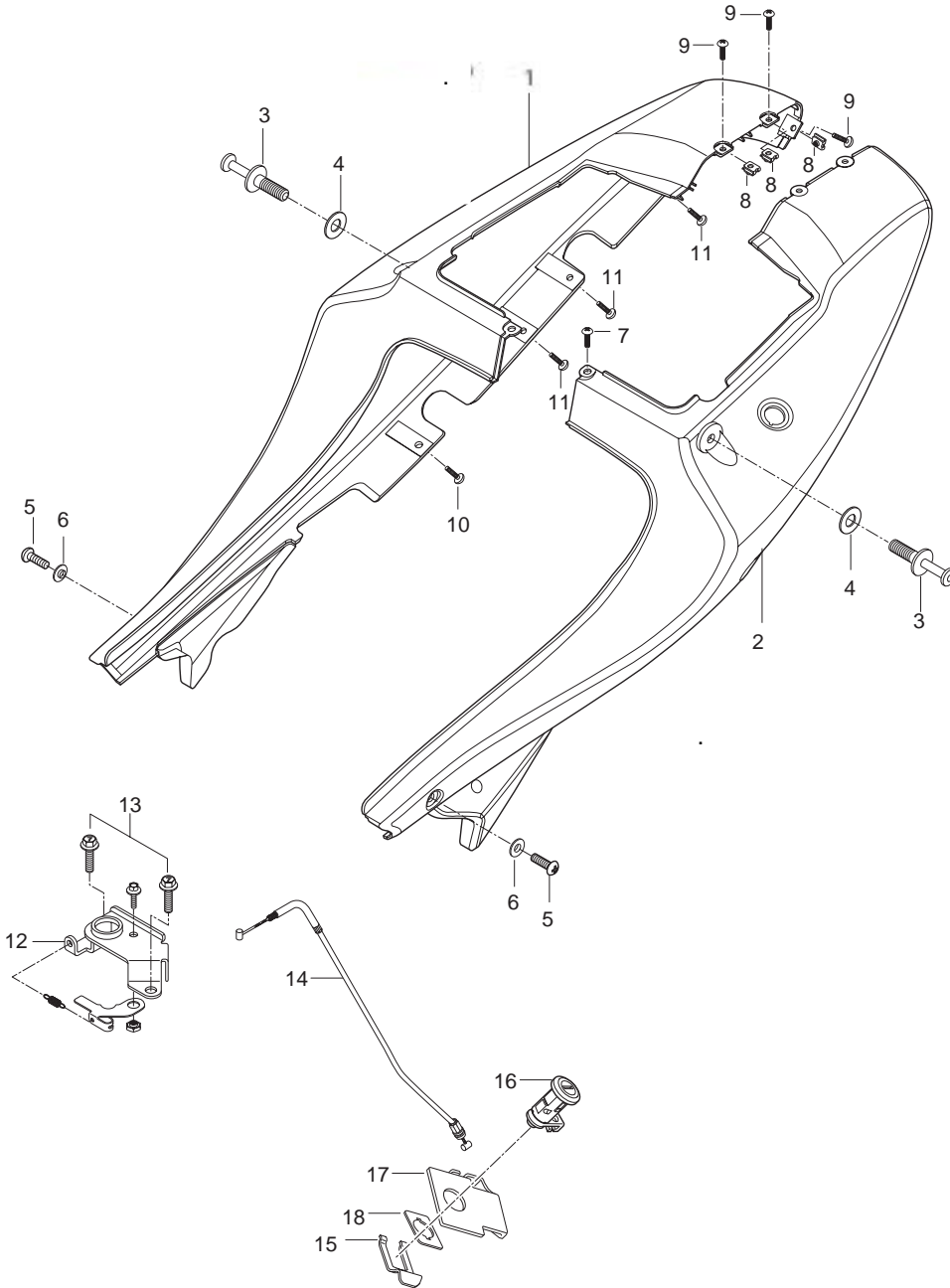


FIG 33. SIDE COVER

REF.	PARTS NAME		Q'TY	REMARKS	REC. Q'TY
NO. RAT01	REU01				(PCS)
1	47111HM8104	47111HM8104	1	COVER, side R Color CDR,CBK,C	5
2	47211HM8105	47211HM8105	1	COVER, side L Color CDR,CBK,C	5
3	47113HM8101	47113HM8101	2	BOLT, luggage support	
3-1	47115HN9100	47115HN9100	2	CAP, LUGG SUPPORT BOLT	
4	08322-11088	08322-11088	2	WASHER, luggage bolt & frm side	
5	09106H06150	02142-06166	2	SCREW, frm side front	
6	09169-06032	09169-06032	2	WASHER, frm side front	
7	09106H06150	02142-06166	1	SCREW, frm side center	
8	09148-05004	09148-05004	3	NUT, frm side rear up	
9	09106H05150	03241-05125	3	SCREW, frm side rear up	
10	09106H06150	02142-06206	2	SCREW, frm side low & frm	
11	09106H05150	02142-05166	6	SCREW, frm side low & rear fender	
12	45220HM8100	45220HM8100	1	LOCK ASS'Y, seat striker rear	
13	02122-06308	02122-06308	2	BOLT, seat striker(M6X16)	
14	45280-35C00	45280-35C00	1	CABLE ASS'Y, seat lock	
15	92414HF4500	92414HF4500	1	LOCK, key set	
16	45700HG2630	45700HG2610	1	LOCK ASS'Y, seat	
17	45381HG2601	45381HG2601	1	GUIDE, seat lock cable	
18	92413HF4501	92413HF4501	1	WASHER, side cover	

FIG 34

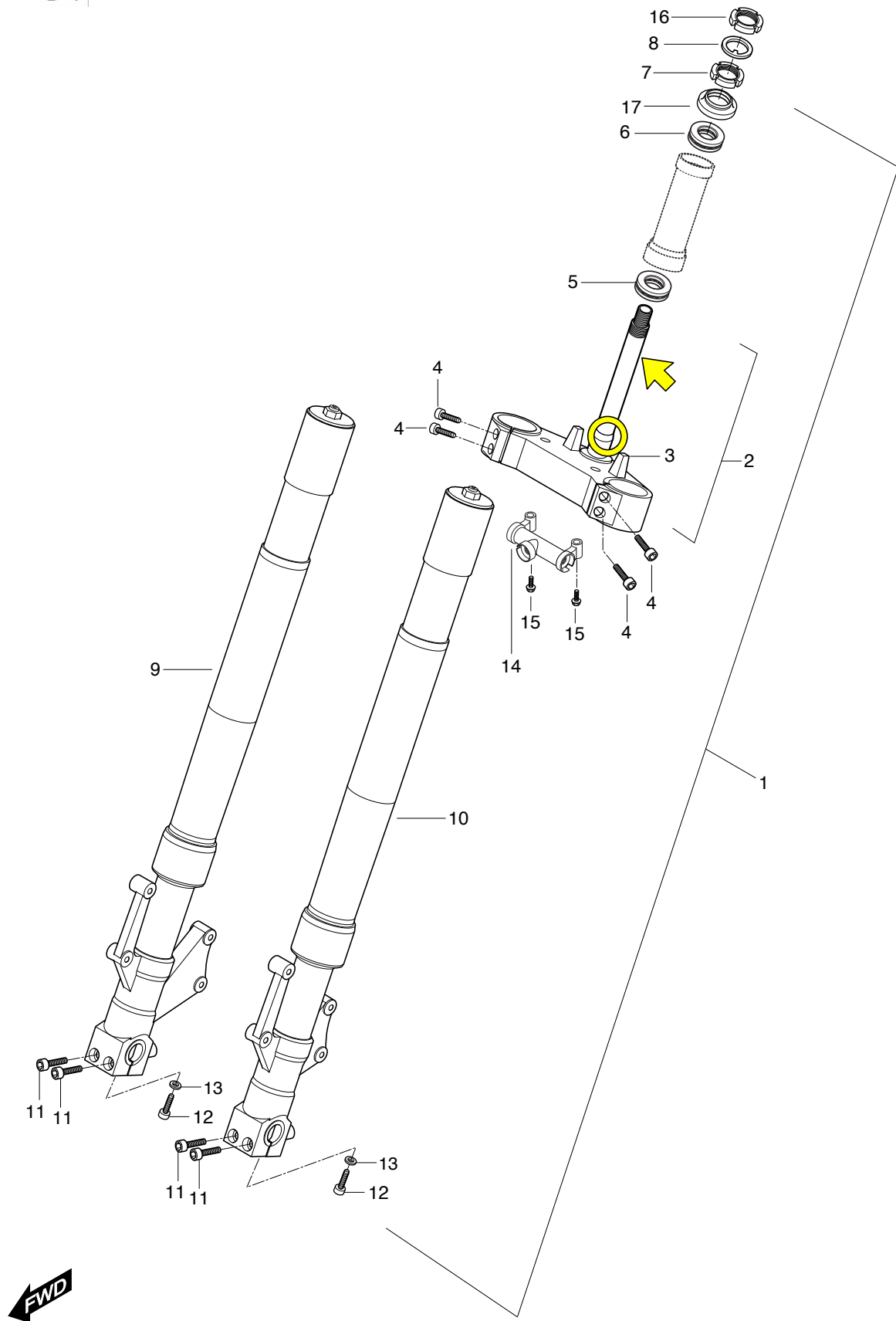


FIG 34. FRONT FORK

REF.	PARTS NAME		Q'TY	REMARKS	REC. Q'TY
NO. RAT01	REU01				(PCS)
1	51100HR8300HPA	51100HR8300HPA	FORK ASS'Y, front	1	5
2	51410HP9200HPA	51410HP9200HPA	BRACKET COMP, front fork under	1	5
3	51411HP9201	51411HP9201	BRACKET, front fork under	1	NOT SALE
3-1	51412HM8102	51412HM8102	STEER'G STEM	1	NOT SALE
3-2	51413HM8100	51413HM8100	STOPP,ft fork under	1	NOT SALE
4	07110-08258	07110-08258	BOLT, front fork under bracket	4	55
5	09265H25001	09265H25001	BEARING, steering lower	1	5
6	09265H28001	09265H28001	BEARING, steering upper	1	5
7	51631-28000	51631-28000	NUT, steering stem	1	5
8	09166H25001	09166H25001	WASHER, steering stem	1	5
9	51210HR8300	51210HR8300	DAMPER ASS'Y, front fork R	1	
10	51220HR8300	51220HR8300	DAMPER ASS'Y, front fork L	1	
11	09106H08458	09106H08458	BOLT, axle grip	4	40
12	07110-08258	07110-08258	BOLT, fork clip	2	55
13	90544H93B00	90544H93B00	WASHER, spacer	2	
14	51511HN9101	51511HN9101	JOINT, front brake hose	1	
15	01517-06308	01517-06308	BOLT, front brake hose joint	2	
16	51631HN9100	51631HN9100	NUT, steering stem upper	1	
17	51643HG5801	51643HG5801	DUST SEAL, steering upper	1	5

FIG 35

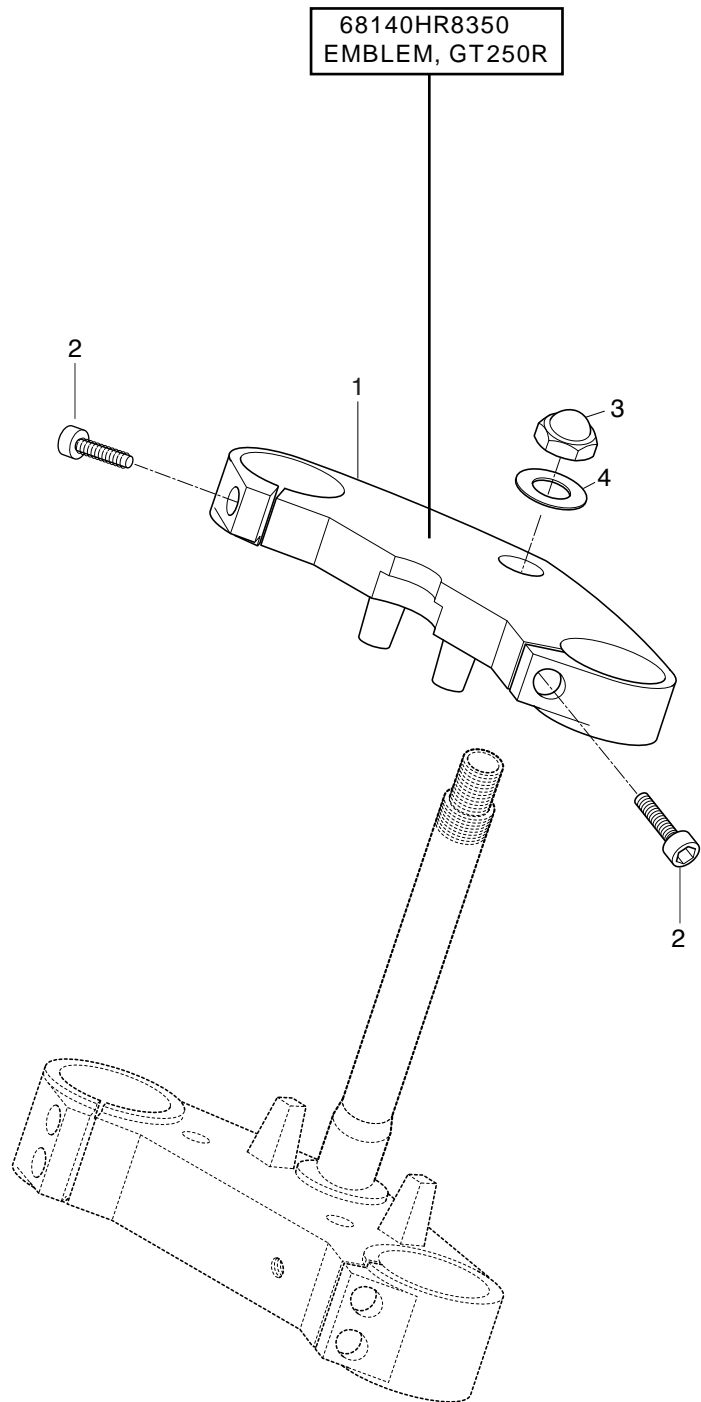


FIG 35. STEERING HEAD

REF.		PARTS NAME	Q`TY	REMARKS	REC. Q`TY
NO.	RAT01	REU01			(PCS)
1	51311HP940003P	BRACKET, front fork upper	1		5
2	07110-08258	BOLT, front fork upper bracket	2		55
3	09159H22002	NUT, str upper	1		5
4	09160H22032	WASHER, str upper	1		5
5	68140HR8350	EMBLEM,GT250R	1		

FIG 36

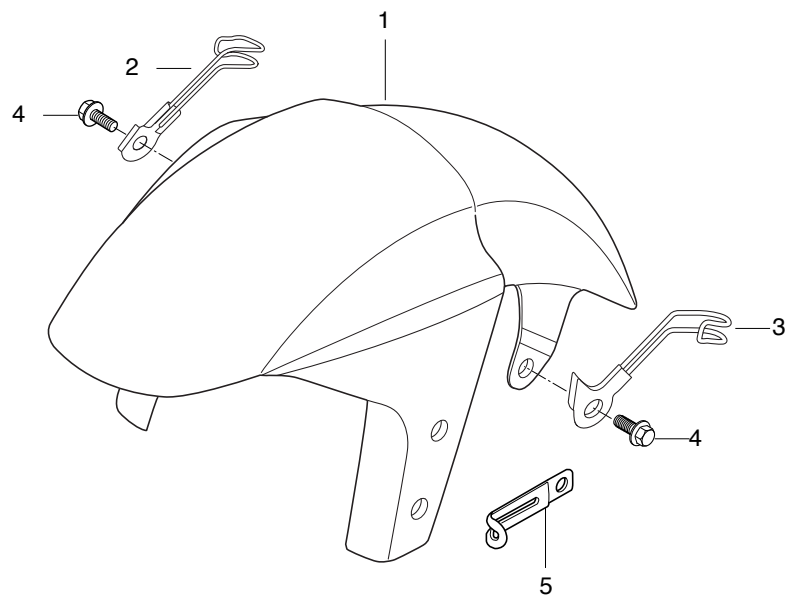


FIG 36. FRONT FENDER

REF.	PARTS NAME		Q`TY	REMARKS	REC. Q`TY
NO.	RAT01	REU01			(PCS)
1	53111HM8100	53111HM8100	FENDER, front(color:0BK,0DR,0MO)	1	5
2	59430HN9100	51811HM8101PAM	CLAMP COMP, front brake hose R	1	5
3	59440HN9100	51550HM8100	CLAMP COMP, front brake hose L	1	5
4	01517-08126	51540HM8100PLA	BOLT, front brake hose clamp R/L	2	10
5	09404-08403	51530HM8100PLA	CLAMP, speed sensor	1	

FIG 37

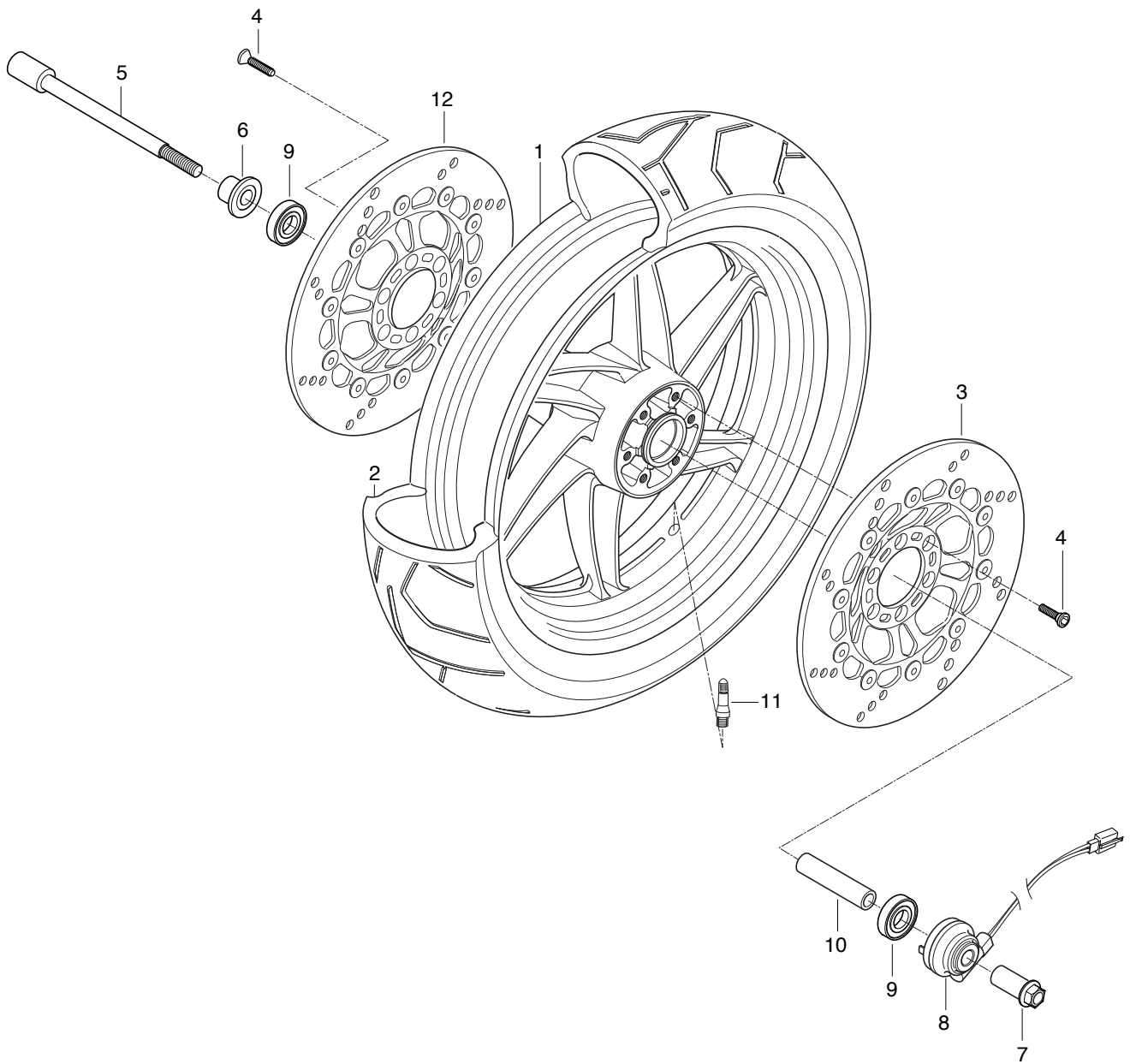
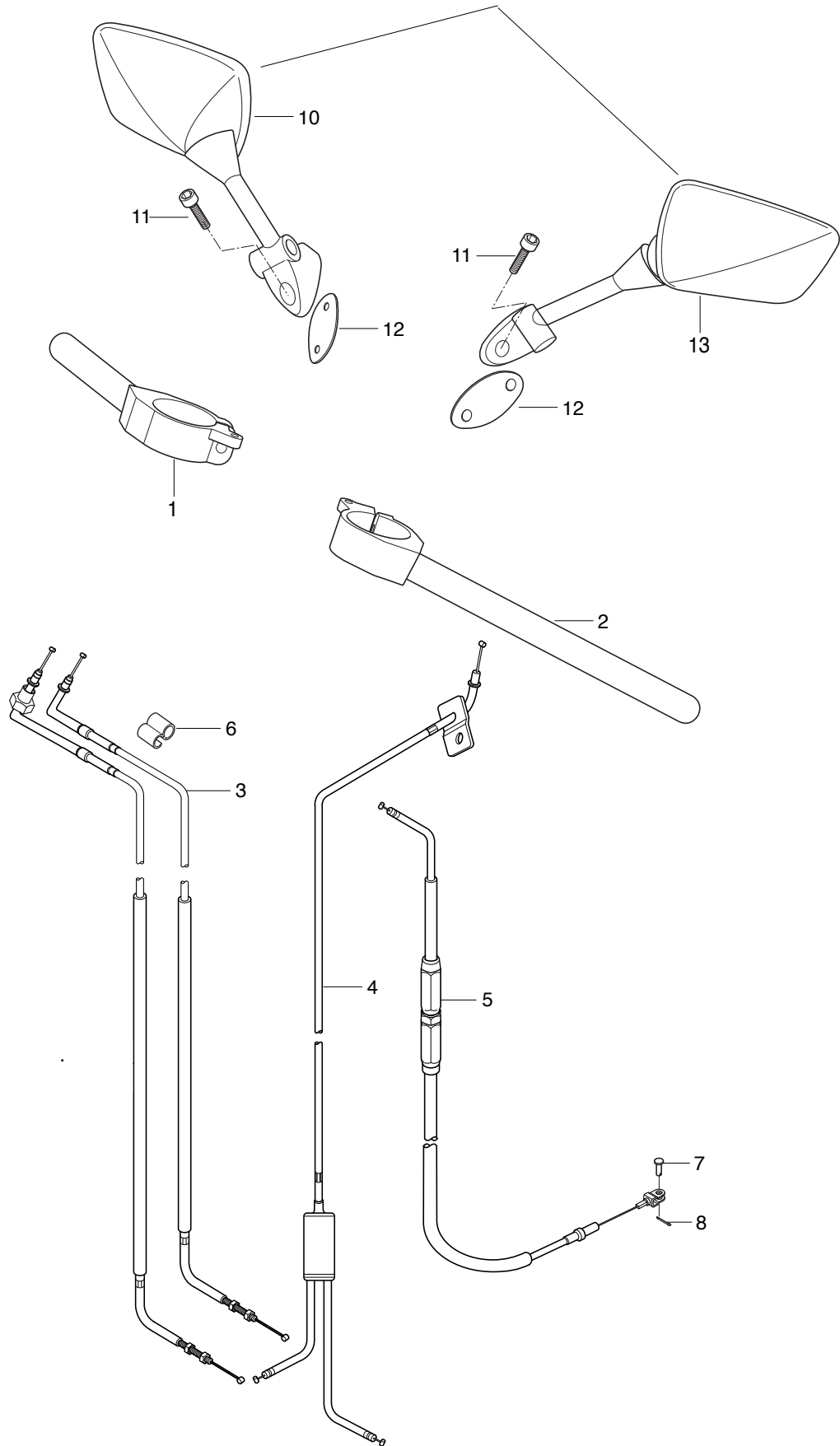


FIG 37. FRONT WHEEL

REF.	PARTS NAME		Q'TY	REMARKS	REC. Q'TY
NO. RAT01	REU01				(PCS)
0	54140SR8300HPA	54140SR8300HPA	1	WHEEL, front	
1	54141HM8102	54141HM8102	1	WHEEL, front (J17xMT3.0)	5
2	55101HR8300	55101HR8300	1	TIRE COMP, front (120/60-17 55W)	5
3	59211HM8100	59211HM8100	1	DISC COMP, front L	5
4	59421-03A01	59421-03A01	12	BOLT, front brake disc	90
5	54711HG5101	54711HG5101	1	AXLEL, front	5
6	54740HM8101	54740HM8101	1	SPACER COMP, front axle R	5
7	54721HM8100	54721HM8100	1	NUT, front axle	5
8	34860HP9201	34860HP9201	1	SENSOR ASS'Y, speedometer	
9	08124-63027	08124-63027	2	BEARING, front hub	10
10	54731HM8100	54731HM8100	1	SPACER, front hub	5
11	55220-41D10	55220-41D10	1	VALVE ASS'Y, wheel rim	
12	59221HM8160	59221HM8160	1	DISC COMP, F/T R	5

FIG 38

SET PART NUMBER
56501HP9200



FWD

FIG 38. HANDLE BAR

REF.	PARTS NAME		Q'TY	REMARKS	REC. Q'TY
NO.	RAT01	REU01			(PCS)
1	56110HP9203	56110HP9203	1	HANDLE BAR COMP, RH	5
2	56120HP9204	56120HP9204	1	HANDLE BAR COMP, LH	5
3	58300HR8300	58300HR8300	1	CABLE ASS'Y, throttle	5
4	58410HR8300	58410HR8300	1	CABLE COMP, starter	5
5	58200HR8300	58200HR8300	1	CABLE ASS'Y clutch	5
6	09408H10002	09408H10002	1	CLIP,cable	5
7	09200-06004	09200-06004	1	PIN,clutch	5
8	04111-20158	04111-20158	1	COTTER PIN, clutch	5
10	56500HP9200	56500HP9200	1	MIRROR ASS'Y, rear view R	
11	07110-06208	07110-06208	1	CABLE ASS'Y, throttle return	30
12	56503HP9200	56503HP9200	1	CUSHION,rear view mirror	10
13	56501HP9200	56501HP9200		MIRROR ASS'Y, rear view L	

FIG 39

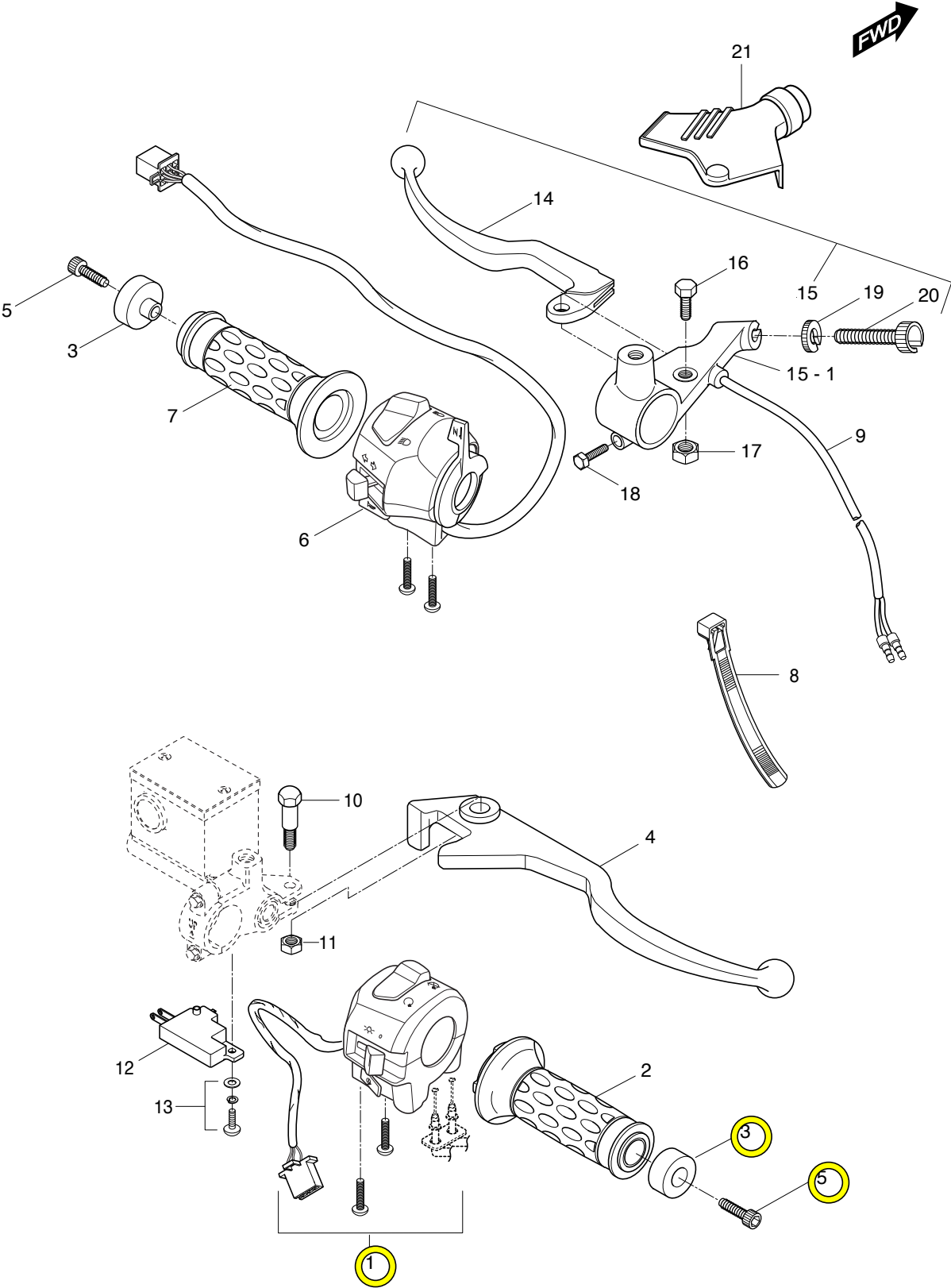


FIG 39. HANDLE SWITCH

REF.	PARTS NAME		Q`TY	REMARKS	REC. Q'TY
NO.	RAT01	REU01			(PCS)
1	37200HR8350	37200HR8350	1	SWITCH ASS'Y, handle R	5
2	57110HG5803	57110HG5803	1	GRIP COMP, throttle	5
3	56271HF4501PLA	56271HF4501PLA	2	BALANCER, handlebar	
4	57421HN9100	57421HN9100	1	LEVER, brake	5
5	07110-08208	07110-08208	2	BOLT, handle balancer	
6	37400HP9200	37400HP9200	1	SWITCH ASS'Y, handle L	5
7	57211HG5800	57211HG5800	1	GRIP, L	5
8	09407-14403	09407-14403	2	CLAMP, handle switch harness	10
9	57460HJ8250	57460HJ8250	1	SWITCH ASS'Y, clutch	
10	57431H05D00	57431H05D00	1	BOLT, brake lever pivot	5
11	08319-21065	08319-21065	1	NUT, brake lever pivot	5
12	57460-17C00	57460-17C00	1	SWITCH ASS'Y, stop	5
13	02112-74108	02112-74108	1	SCREW, stop switch	5
14	57620HN9100	57620HN9100	1	LEVER COMP, clutch	
15	57500HN9100	57500HN9100	1	LEVER ASS'Y, clutch	5
15-1	57511HM8100	57511HM8100	1	HOLDER, clutch lever	
16	57431H93B00	57431H93B00	1	BOLT SET, clutch lever pivot	
17	08319-21065	08319-21065	1	NUT, clutch lever pivot	5
18	57451HG5800	57451HG5800	1	BOLT, clutch lever holder	
19	57442H93B00	57442H93B00	1	LOCK NUT	
20	57441H93B00	57441H93B00	1	ADJUSTER, wire	
21	57661HJ8200	57661HJ8200	1	COVER, clutch lever	5
22	37281HN3201	37281HN3201	1	BOSS HANDLE SWITCH R	10
23	56502HP9200	56502HP9200	2	SCRIVET	10
23~1	09407-08307	09407-08307	2	SCRIVET	10

FIG 40

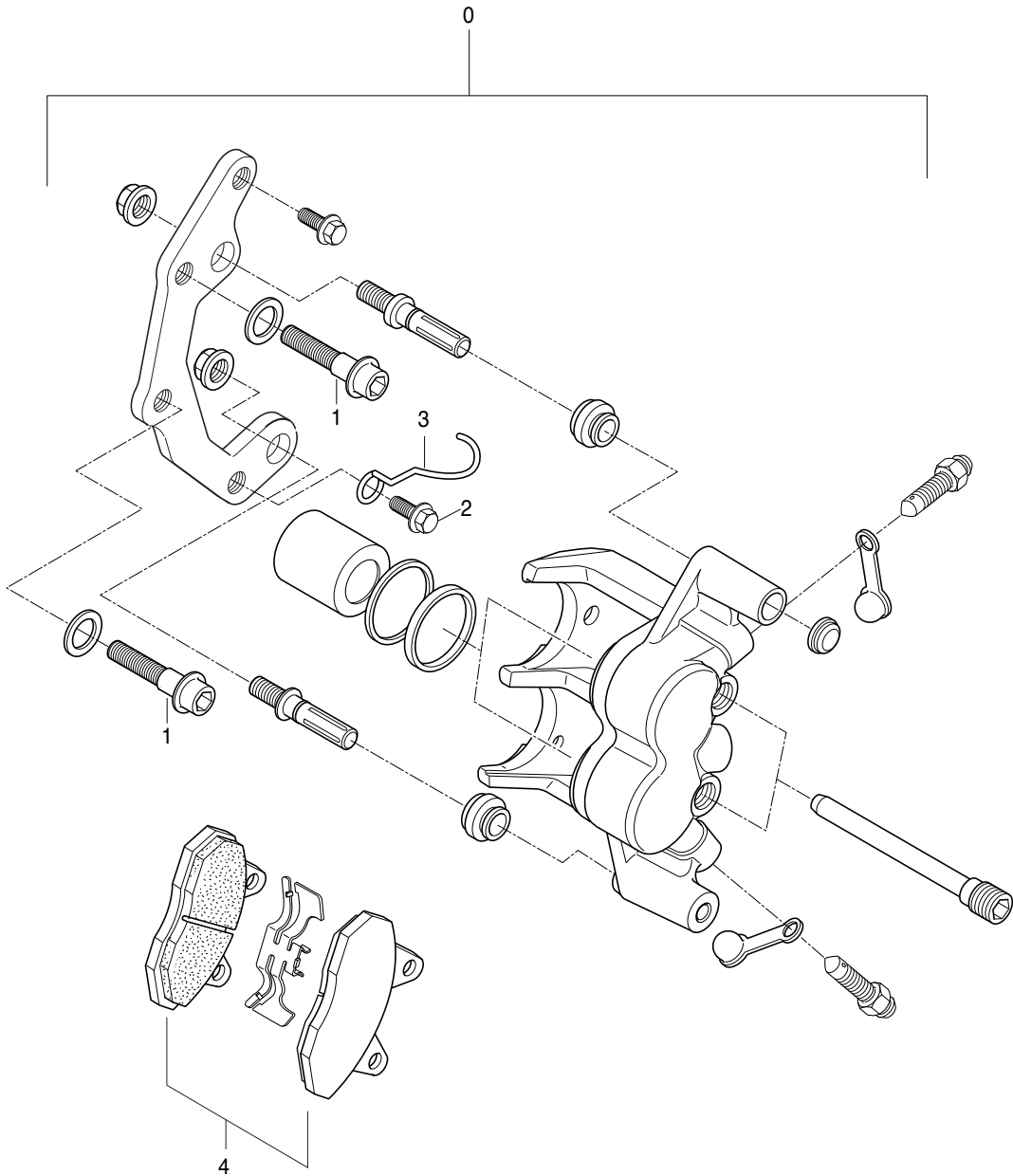


FIG 40. CALIPER LH

REF.	PARTS NAME		Q'TY	REMARKS	REC. Q'TY
NO. RAT01	REU01				(PCS)
0	59300HP9500	59300HP9500	1	~KM4MJ51E161100662	5
0-1	59300HN9100	59300HN9100	1	KM4MJ51E161100663~	5
1	07120-08308	07120-08308	2	BOLT, caliper	
2	01514-06106	01514-06106	1	BOLT, speedometer cable guide	
3	59266HN9100	59266HN9100	1	GUIDE, speedometer cable	
4	59301HP9500	59301HP9500	1	PAD SET	5

FIG. 40 -1

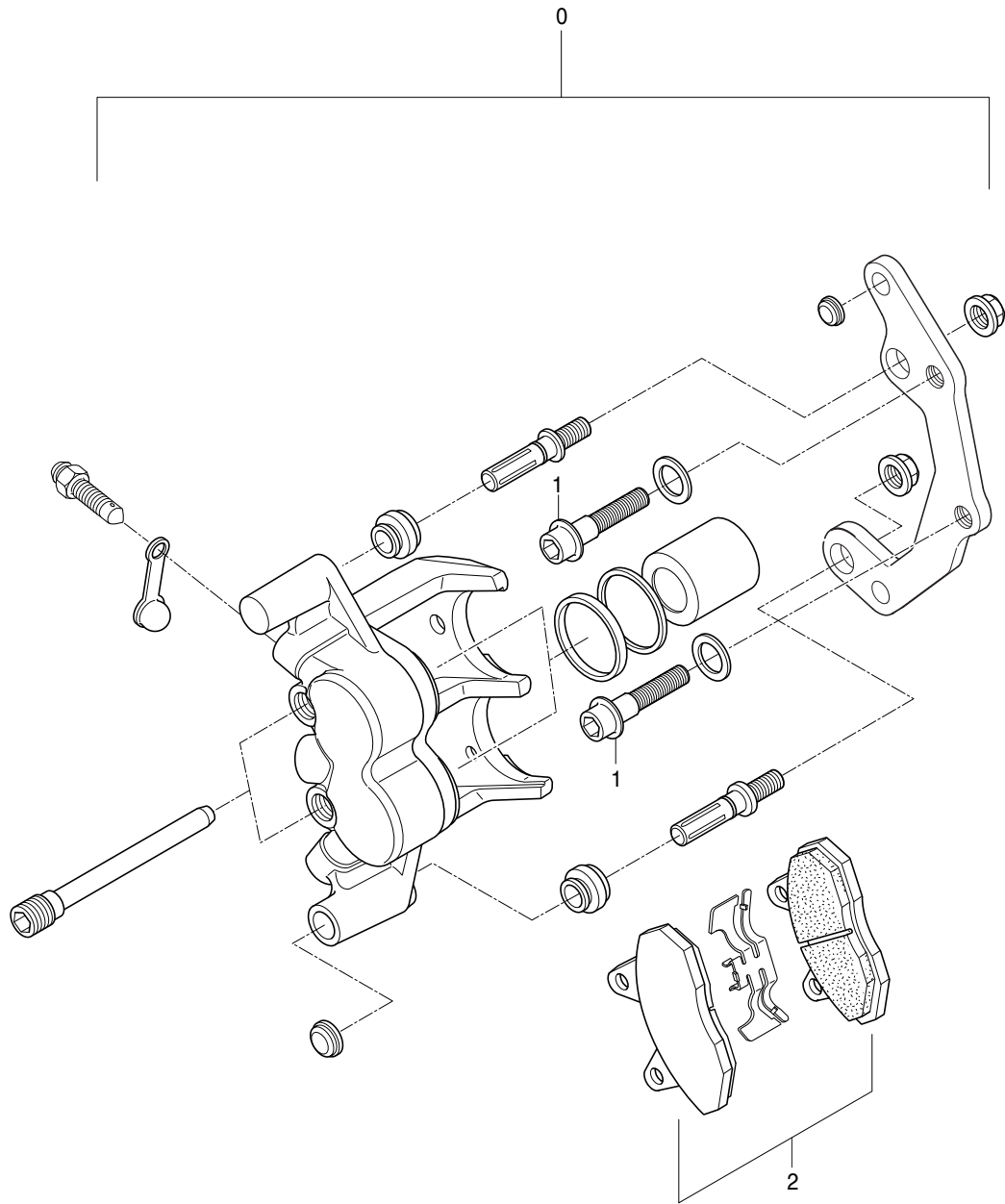


FIG 40-1. CALIPER RH

REF.	PARTS NAME		Q'TY	REMARKS	REC. Q'TY
NO.	RAT01	REU01			(PCS)
0	59300HP9500	59300HP9500	1	~KM4MJ51E161100662	5
0-1	59400HN9100	59400HN9100	1	KM4MJ51E161100663~	5
1	07120-08308	07120-08308	2	BOLT, caliper	
2	01514-06106	01514-06106	1	BOLT, speedometer cable guide	
3	59266HN9100	59266HN9100	1	GUIDE, speedometer cable	
4	59301HP9500	59301HP9500	1	PAD SET	

FIG.41

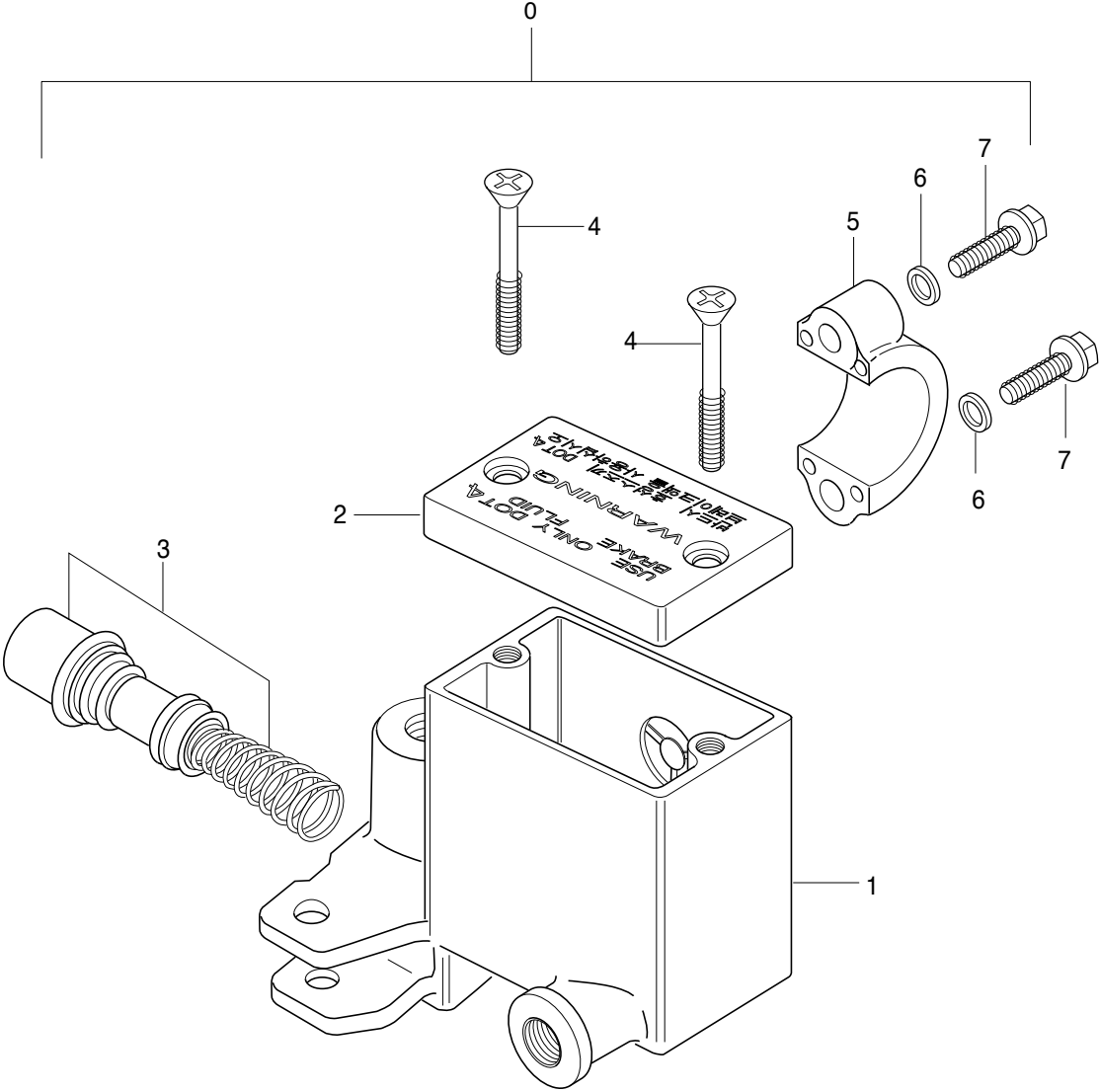


FIG 41. MASTER CYLINDER

REF.	PARTS NAME		Q`TY	REMARKS	REC. Q'TY
NO.	RAT01	REU01			(PCS)
0	59600HP9200	59600HP9200	1		5
1	59687HM8162	59687-35C00	1		
2	59669-36510	59669-36510	1		
3	59610-35C00	59610-35C00	1	NOT SALE	
4	59691-35C00	59691-35C00	2		
5	59671-35C00	59671-35C00	1		
6	08322-21064	08322-21064	2		
7	01107-35C00	01107-35C00	2		

FIG.42

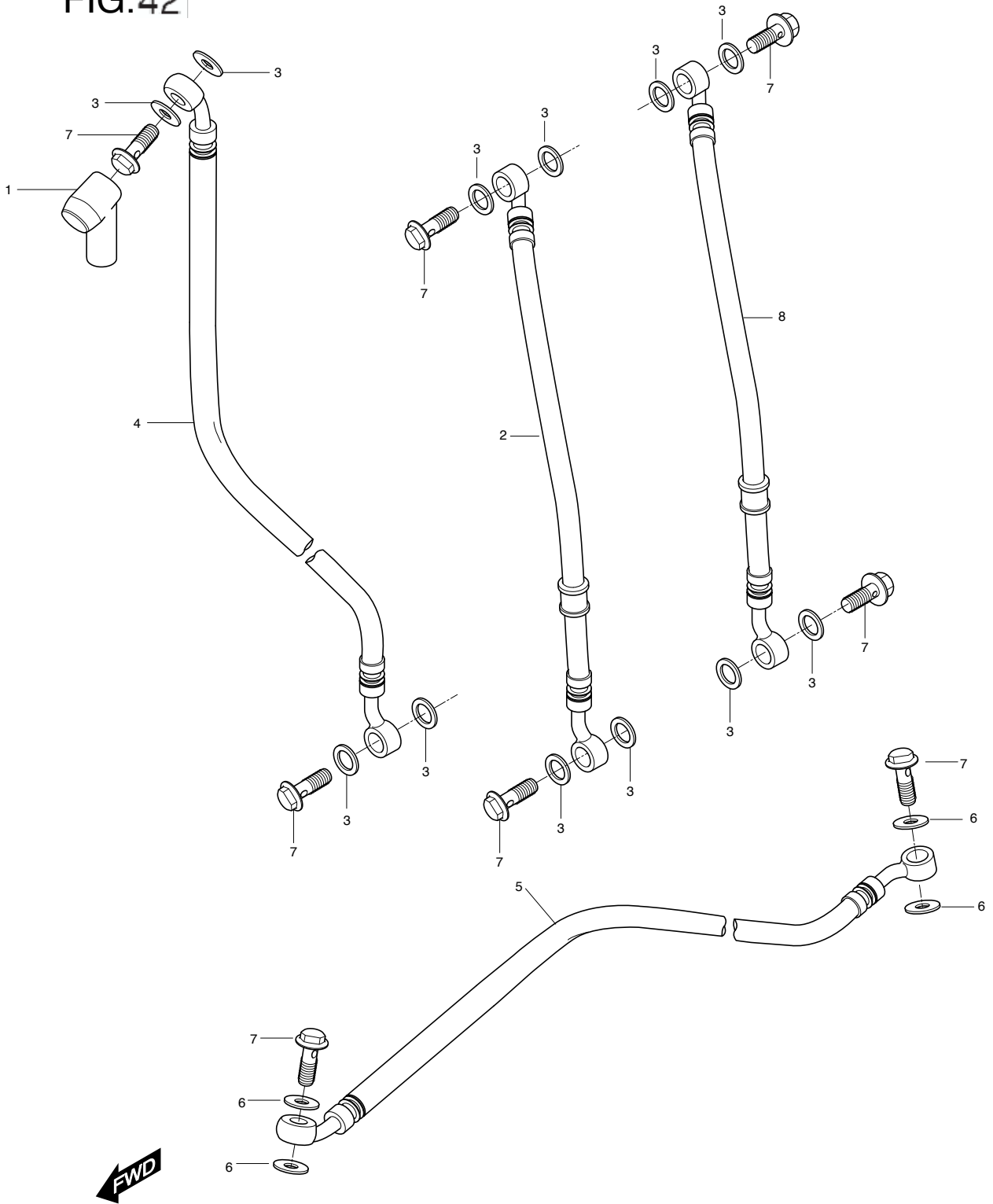


FIG 42. FRONT BRAKE HOSE

REF.	PARTS NAME		Q`TY	REMARKS	REC. Q'TY
NO.	RAT01	REU01			(PCS)
1	59711H49002	59711H49002	1	BOOT, brake hose	5
2	59460HN9100	59460HN9100	1	HOSE COMP, FT brake R	
3	09161-10005	09161-10005	12	WASHER, brake hose	80
4	59450HP9202	59450HP9202	1	HOSE COMP, front brake upper	
5	69480HM8104	69480HM8104	1	HOSE COMP, rear brake	5
6	09161-10005	09161-10005	4	WASHER, rear brake fluid	80
7	09360-10039	09360-10039	8	BOLT, rear brake fluid	40
8	59470HN9100	59470HN9100	1	HOSE COMP, FT brake L	5

FIG 43

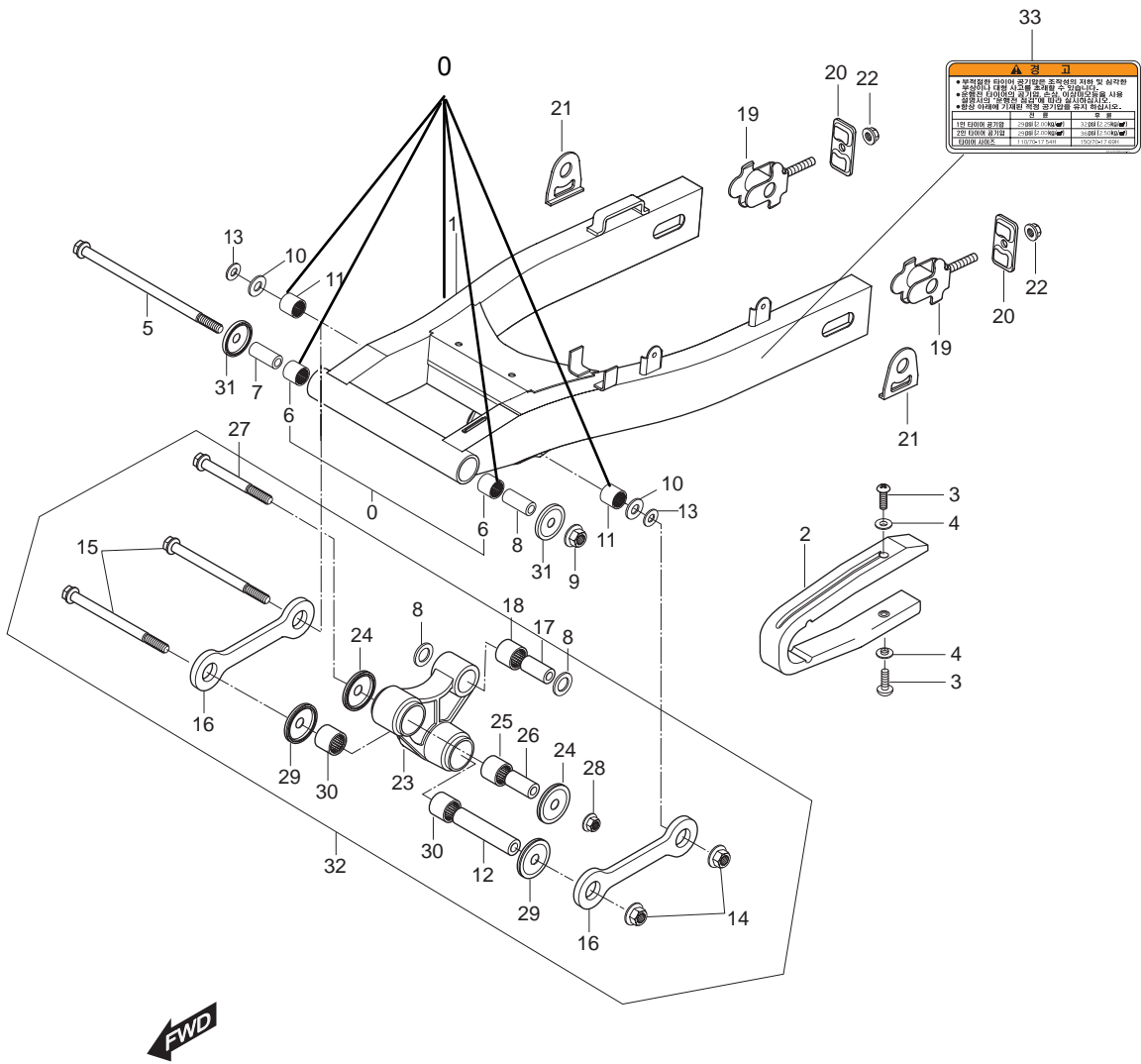


FIG 43. SWINGING ARM

REF.	PARTS NAME		Q'TY	REMARKS	REC. Q'TY
NO.	RAT01	REU01			(PCS)
0	61100HM8105HPA	61100HM8105HPA	1	REAR SWING ARM ASS'Y	
1	61100HM8105	61100HM8105	1	SWING ARM COMP, rear	5
2	61273HM8101	61273HM8101	1	BUFFER, chain touch defense	5
3	02142-06166	02142-06166	2	BOLT, chain touch defense buffer	
4	09169-06032	09169-06032	2	WASHER, chain touch defense buff	
5	61211HM8100	61211HM8100	1	SHAFT, rear swingarm pivot	5
6	09263-22017	09263-22017	2	BEARING, rear swingarm pivot	
7	61251HM8100	61251HM8100	2	SPACER, rear swingarm pivot beari	
8	09284H32001	09284H32001	2	SEAL, rear cushion rod	
9	08319-31128	08319-31128	1	NUT, rear swingarm pivot	
10	09283-20031	09283-20031	2	SEAL, rear cushion rod	
11	09263H20003	09263H20003	2	BEARING, rear cushion rod	
12	09180H14001	09180H14001	1	SPACER, rear cushion rod	
13	09284H32001	09284H32001	2	SEAL, rear cushion rod	
14	09159H14008	09159H14008	2	NUT, rear cushion rod	
15	09103H14001	09103H14001	2	BOLT, rear cushion rod	
16	62641HM8100	62641HM8100	2	ROD, rear cushion lever	
17	09180H10073	09180H10073	1	SPACER, rear cushion lever rear	
18	09263H17002	09263H17002	1	BEARING, rear cushion lever rear	
19	61410HJ8200	61410HJ8200	2	ADJUSTER COMP, chain	
20	61421-01D00	61421-01D00	2	PLATE, chain adjuster guide	
21	64712HJ8200	64712HJ8200	2	WASHER, chain adjuster	
22	08316-26108	08316-26108	2	NUT, chain adjuster	
23	62611HG5800	62611HG5800	1	LEVER, rear cushion	
24	09284H33003	09284H33003	2	DUST SEAL, rear cushion lever fro	
25	09263-20073	09263-20073	1	BEARING, rear cushion lever front	
26	09180H12001	09180H12001	2	SPACER, rear cushion lever front	

FIG 43

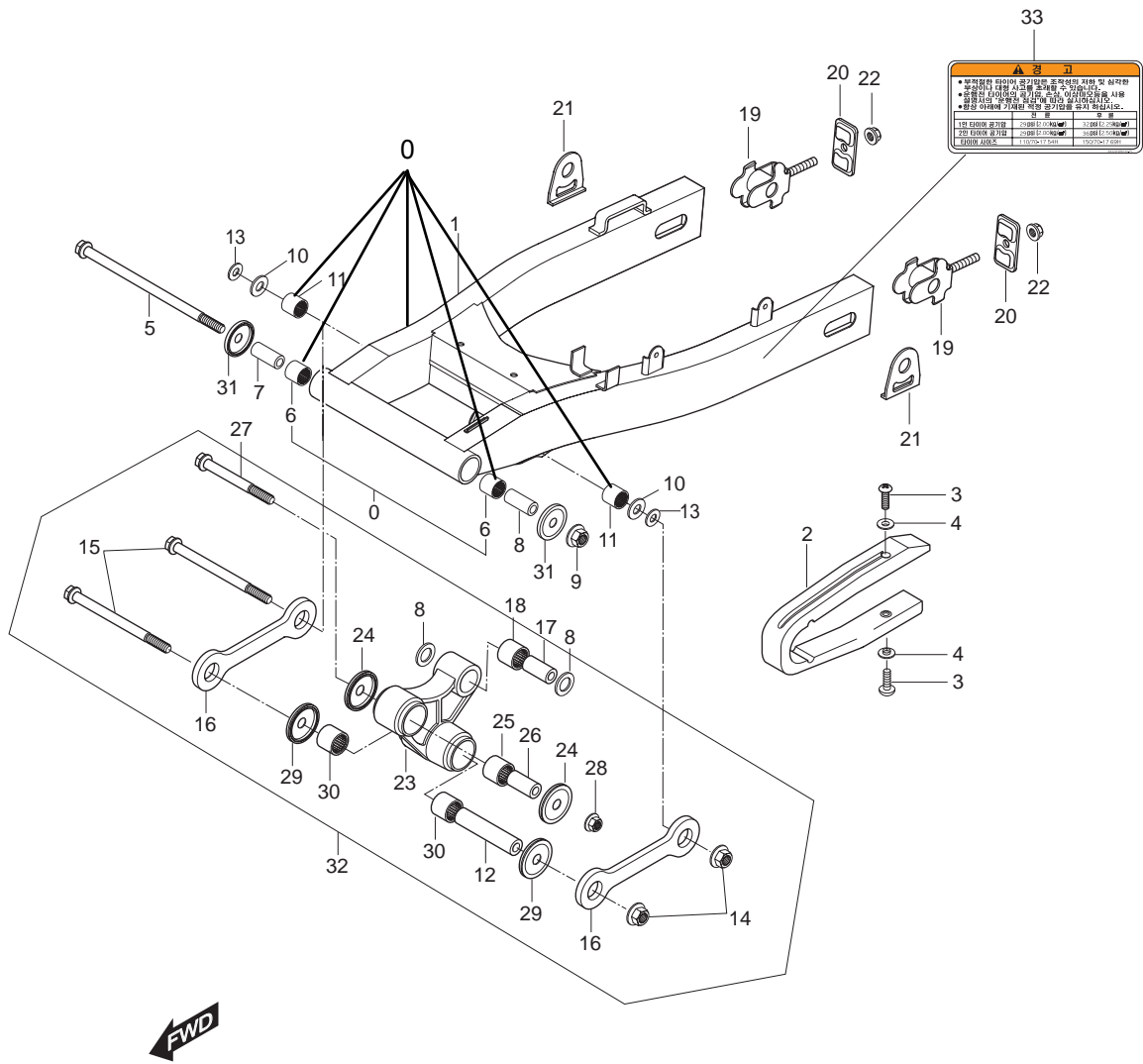


FIG 43. SWINGING ARM

REF.	PARTS NAME		Q`TY	REMARKS	REC. Q'TY
NO.	RAT01	REU01			(PCS)
27	09103H12046	09103H12046		BOLT, rear cushion lever front	1
28	08319-31128	08319-31128		NUT, rear cushion lever front	1
29	09284H32001	09284H32001		SEAL, rear cushion lever center	2
30	09263H20003	09263H20003		BEARING, rear cushion lever center	2
31	61262-45002	61262-45002		COVER, rear swingarm pivot	2
32	62611HG5800HPA	62611HG5800HPA		LEVER ASS'Y, rear cushion	1
33	68320HM8150PL	68320HM8150PL		LABEL, chain case	1
					10

FIG 44

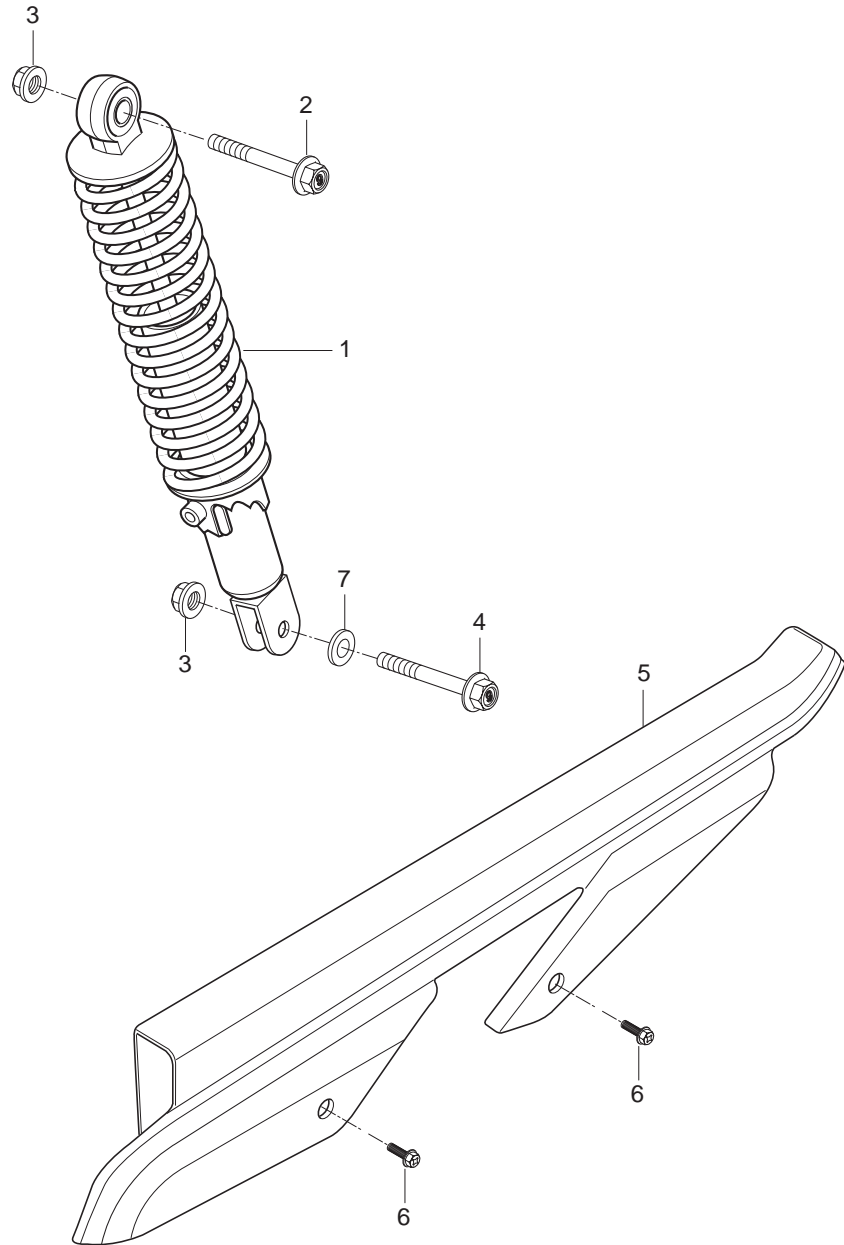


FIG 44. REAR SHOCK ABSORBER

REF.	PARTS NAME		Q`TY	REMARKS	REC. Q'TY
NO.	RAT01	REU01			(PCS)
1	62100HR8300	62100HR8300	1	SHOCK ABSORBER ASS'Y, rear	5
2	09103H10101	09103H10101	1	BOLT, rear shock absorber upper	
3	08319-31108	08319-31108	2	NUT, rear shock absorber upper	
4	09103H10101	09103H10101	1	BOLT, rear shock absorber lower	
5	61310HM8102	61310HM8102	1	CASE COMP, chain	5
6	09111H06066	09111H06066	2	BOLT, chain case	
7	09160-10001	09160-10001	1	WASHER, rear shock absorber lowe	
8	68911HM8150		1	LABEL NOISE TEST KM4MJ51EX61100001~	

FIG 45

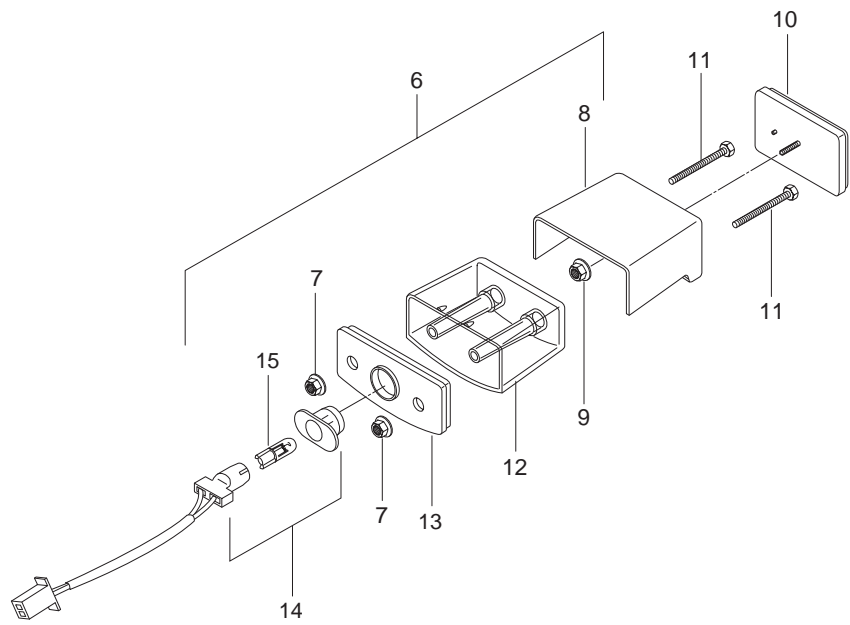
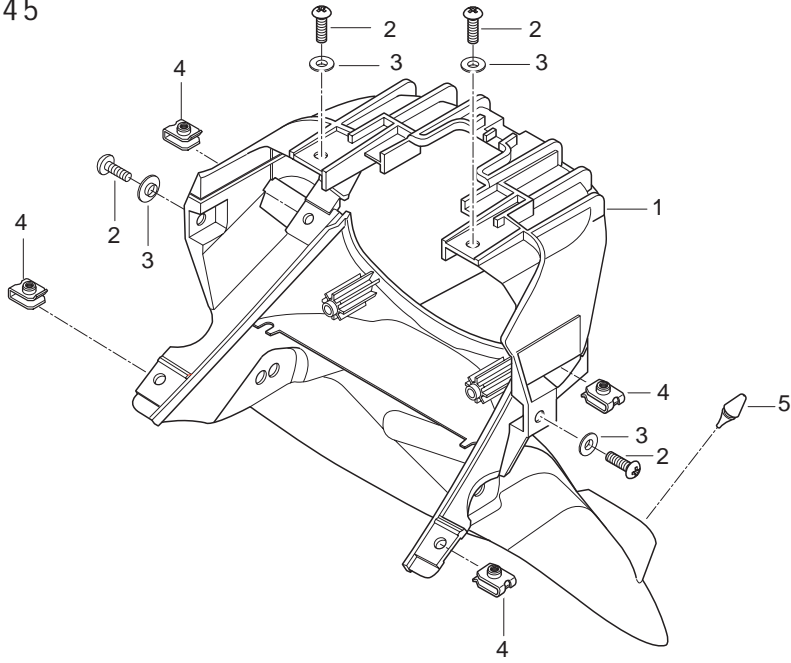
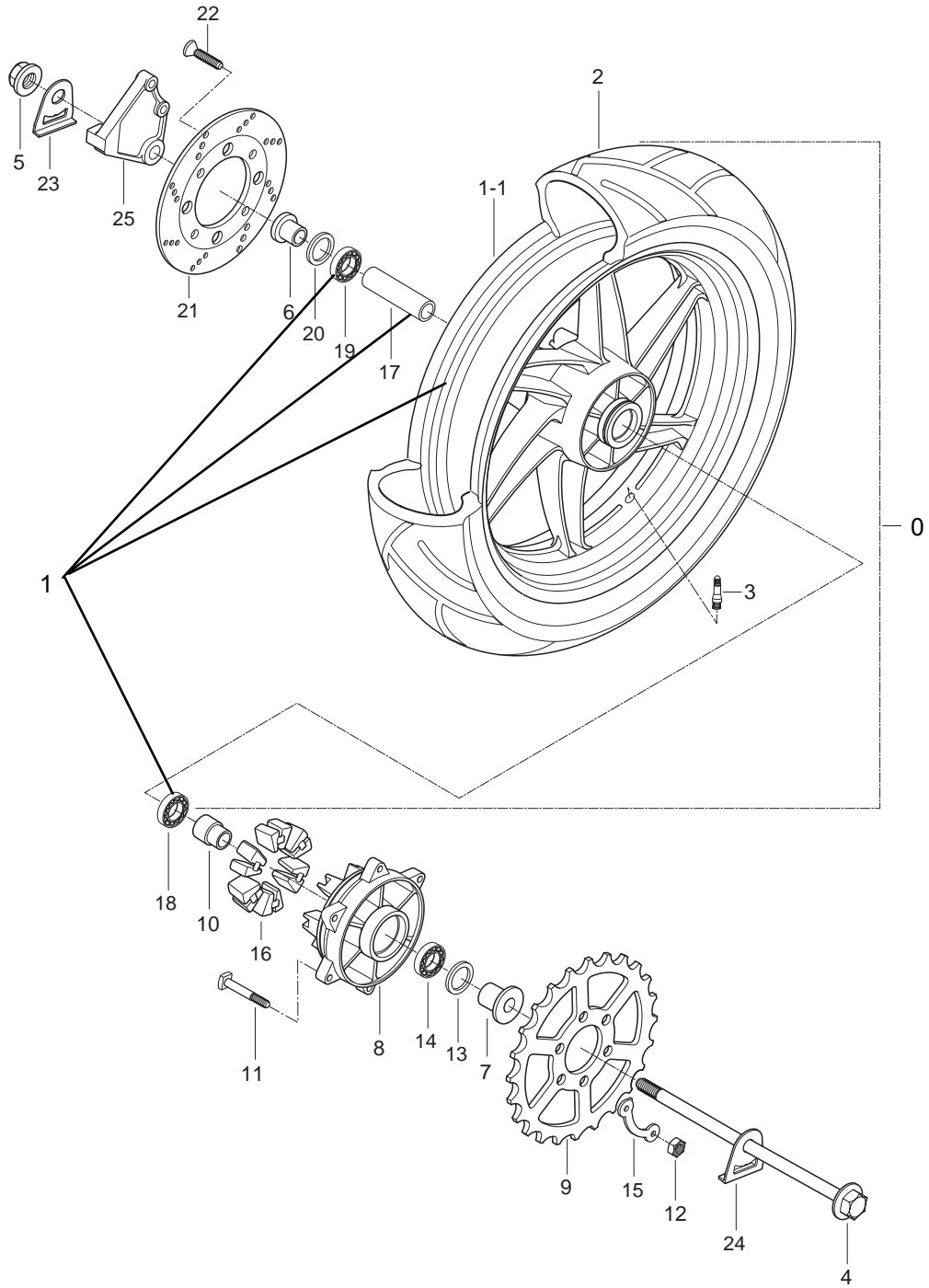


FIG 45. REAR FENDER

REF.	PARTS NAME		Q`TY	REMARKS	REC. Q'TY
NO.	RAT01	REU01			(PCS)
1	63111HM810112A	63111HM810112A	FENDER, rear	1	10
2	02142-06166	02142-06166	SCREW, rr fender	4	
3	09169-06032	09169-06032	WASHER, rr fender	4	
4	09148-05039	09148-05039	NUT, rr fender	4	
5	09321-06023	09321-06023	CUSHION, license plate	2	
6	35910HG5150	35910HG5150	LAMP ASS`Y, license plate	1	
7	08316-26055	08316-26055	NUT, license lamp(M5)	2	
8	35915HG5800	35915HG5800	COVER, license lamp	1	
9	08316-26055	08316-26055	NUT, rear reflex reflector	1	
10	35970-17303	35970-17303	REFLEX REFLECTOR ASS`Y, rea	1	5
11	01107-05605	01107-05605	BOLT, license lamp	2	
12	35911HG5800	35911HG5800	LENS, license	1	
13	35912HG5800	35912HG5800	HOUSING, license	1	
14	35916HG5800	35916HG5800	CORD ASS`Y	1	
15	09471-12210	09471-12210	BULB, license lamp(12V/5W)	1	

FIG 46



FWD

FIG 46. REAR WHEEL

REF.	PARTS NAME		Q'TY	REMARKS	REC. Q'TY
NO.	RAT01	REU01			(PCS)
0	64140SR8300HPA	64140SR8300HPA	1	WHEEL + TIRE REAR ASS`Y	
1	64150HM8103	64150HM8103	1	WHEEL COMP, rear(J17x MT4.00)	5
2	65101HR8300	65101HR8300	1	TIRE COMP, rear(150/70-17 69J)	5
3	55220-41D10	55220-41D10	1	VALVE ASS`Y, wheel rim	
4	64711HM8102	64711HM8102	1	AXLE, rear	5
5	09159H16002	09159H16002	1	NUT, rear axle	
6	64741HM8100	64741HM8100	1	SPACER, rear axle R	
7	64751HM8100	64751HM8100	1	SPACER, rear axle L(46T)	
8	64611HM810203P	64611HM810203P	1	DRUM, rear sprocket mounting	5
8~1		64611HM8170120	1	DRUM, rear sprocket mounting	5
9	64511HM8102	64511HM8102	1	SPROCKET, rear	10
10	64733HM8100	64733HM8100	1	RETAINER, rear sprocket drum	5
11	01517-08358	01517-08358	6	BOLT, rear sprocket	
12	08319-31088	08319-31088	6	NUT, rear sprocket	
13	09285-28001	09285-28001	1	OIL SEAL, rear sprocket mounting	
14	08133-62047	08133-62047	1	BEARING, rear sprocket mounting	
15	09169-10013	09169-10013	3	WASHER, rear sprocket	
16	64651HM8101	64651HM8101	6	SHOCK ABSORBER, rear wheel	30
17	64731HM8100	64731HM8100	1	SPACER, rear wheel bearing	
18	08133-62037	08133-62037	1	BEARING, rear wheel L	3
19	08133-62037	08133-62037	1	BEARING, rear wheel R	3
20	09280-55001	09280-55001	1	O-RING, rear brake	
21	69211HM8101	69211HM8101	1	DISK, rear brake	10
22	59421-03A01	59421-03A01	6	BOLT, rear brake disk	
23	64712HJ8200	64712HJ8200	1	WASHER, chain adjuster R	
24	64712HJ8200	64712HJ8200	1	WASHER, chain adjuster L	
25	69340HM810303P	69340HM810303P	1	CARRIER, caliper	
25~1		69340HM8170120	1	CARRIER, caliper	

NOT SALE

KM4MJ51E061100492~

KM4MJ51E061100492~

FIG 47

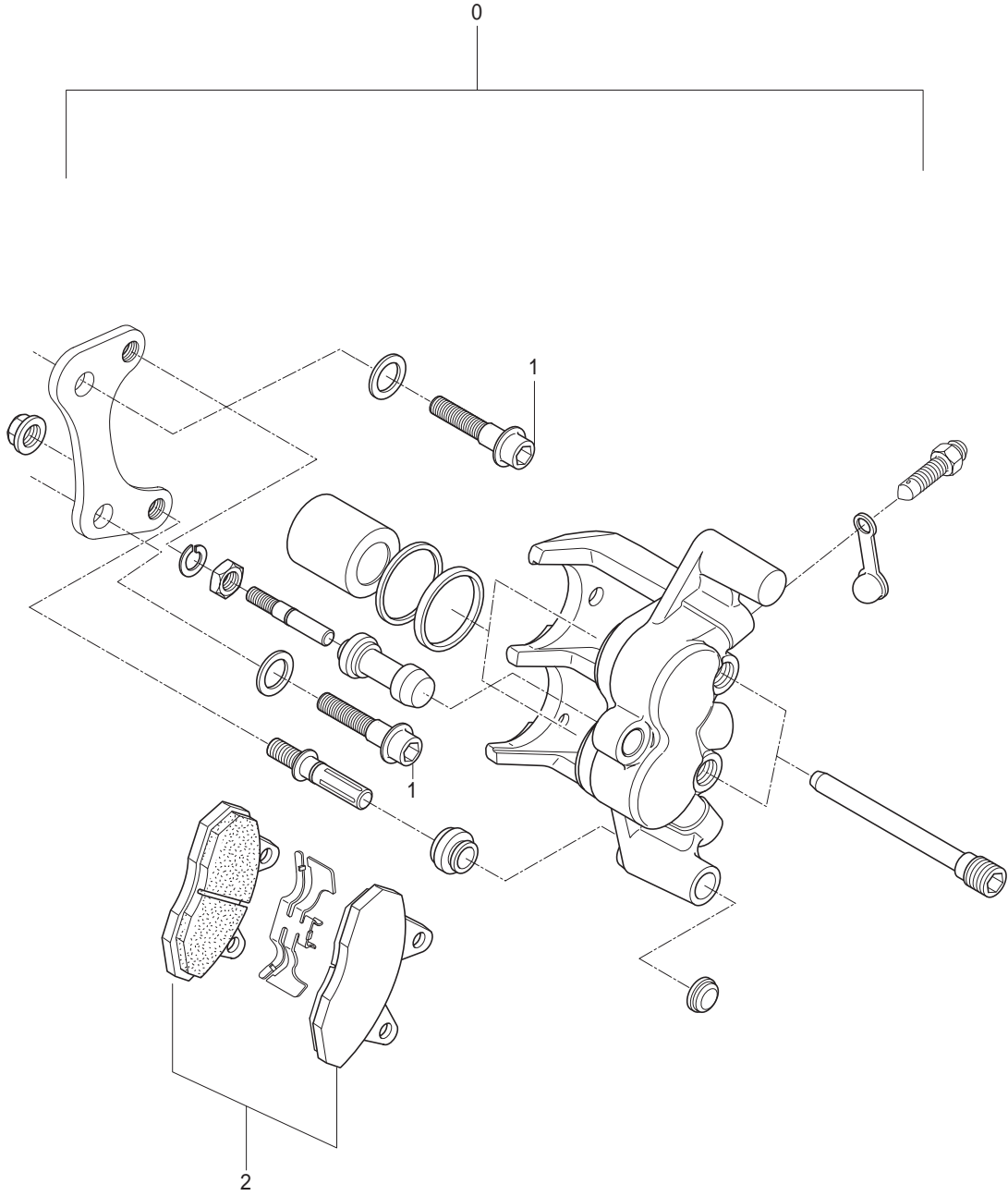


FIG 47. REAR CALIPER

REF.	PARTS NAME		Q`TY	REMARKS	REC. Q'TY
NO. RAT01	REU01				(PCS)
0	69300HP9500	69300HP9500	1	~KM4MJ51E161100662	5
0-1	69300HN9102	69300HN9102	1	KM4MJ51E161100663~	5
1	09103H08254	09103H08254	2	BOLT, caliper	
2	59301HP9500	59301HP9500	1	PAD SET	5

FIG 48

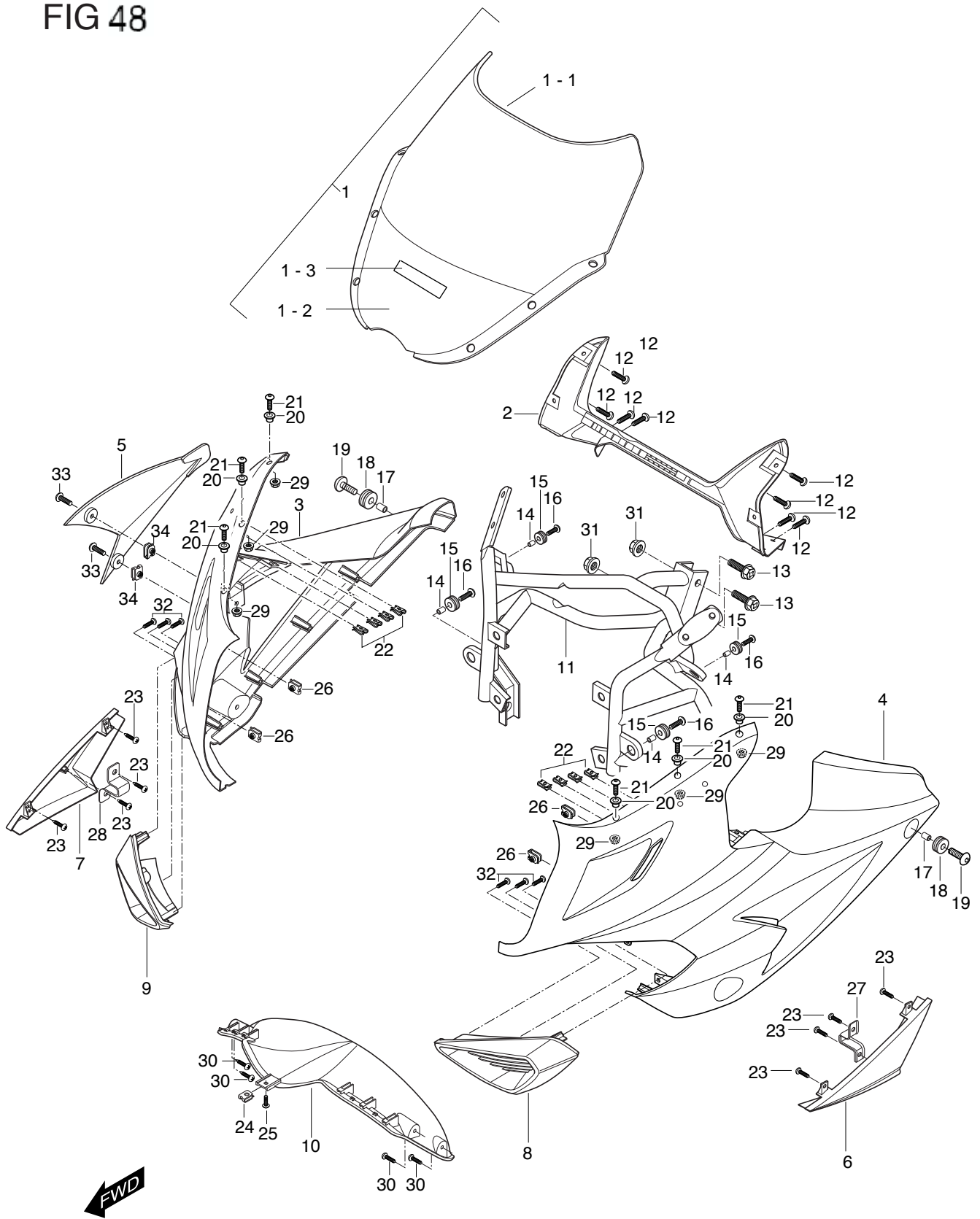


FIG 48. COW'G BODY

REF. NO.	RAT01	REU01	PART NAME	Q'TY	REMARKS	REC.Q'TY (PCS)
1	94611HP9203HPA	94611HP9203HPA	WINDSCREEN ASS'Y(COLOR :LIQUID)	1		5
	94601HP9202HPA	94601HP9202HPA	WIND SCREEN ASS'Y(COLOR : TONED)			
1-1	94611HP9203	94611HP9203	WINDSCREEN	1		
1-2	68500HP9200	68500HP9200	TAPE,WINDSCREEN	1		
1-3	68120HL7300120	68120HL7300120	EMBLEM,LEG SHIELD FRONT	1		
2	94641HP9200	94641HP9200	PANEL, meter	1		5
3	94411HP9202	94411HP9202	COW'G, body side R(color:0BK,0DR,,0DS,	1		5
4	94421HP9202	94421HP9202	COW'G, body side L(color:0BK,0DR,,0DS,	1		
5	94431HP9200	94431HP9200	COW'G, body side R inner(color:0BK,0DR,	1		5
8	94671HP9200121	94671HP9200121	COW'G, air duct L	1		5
9	94661HP9200121	94661HP9200121	COW'G, air duct R	1		5
10	94441HP9200	94441HP9200	COW'G, body center lower(color:0BK,0DR	1		5
11	94510HP9202	94510HP9202	BRACE, cowling	1		5
12	03241-05125	03241-05125	BOLT, meter panel & body side cow R/L	8		
13	09103H08254	09103H08254	BOLT, brace comp & frame head pipe	2		
14	09180H06208	09180H06208	SPACER, body side cow R/L & brace comp	4		
15	09320-09034	09320-09034	CUSHION, body side cow R/L & brace con	4		
16	09116-06143	09116-06143	BOLT, body side COW'G R/L & brace com	4		
17	09180H06208	09180H06208	SPACER, body side COW'G R/L & frame	2		
18	09320-09034	09320-09034	CUSHION, body side COW'G R/L & frame	2		
19	09136-06113	09136-06113	BOLT, body side COW'G R/L & frame	4		
20	09320-07012	09320-07012	CUSHION, windscreen & body side COW'c	6		
21	09106H05150	09106H05150	BOLT, windscreen & body side COW'G up	6		
22	09148-05004	09148-05004	NUT, body side COW'G R/L & meter panel	8		
23	03241-05106	03241-05106	SCREW, side COW'G & lower COW'G	8		
24	09148-05004	09148-05004	NUT, lower COW'G ctr & body side COW't	1		
25	03241-05125	03241-05125	SCREW, lower COW'G ctr & body side CO	1		
26	09148-06020	09148-06020	NUT, body side COW'G R/L & brace comp	4		
29	08316-26055	08316-26055	NUT, windscreen & body side COW'G up	6		15
30	03211-05166	03211-05166	SCREW, lower COW'G & body side COW't	4		

FIG 48

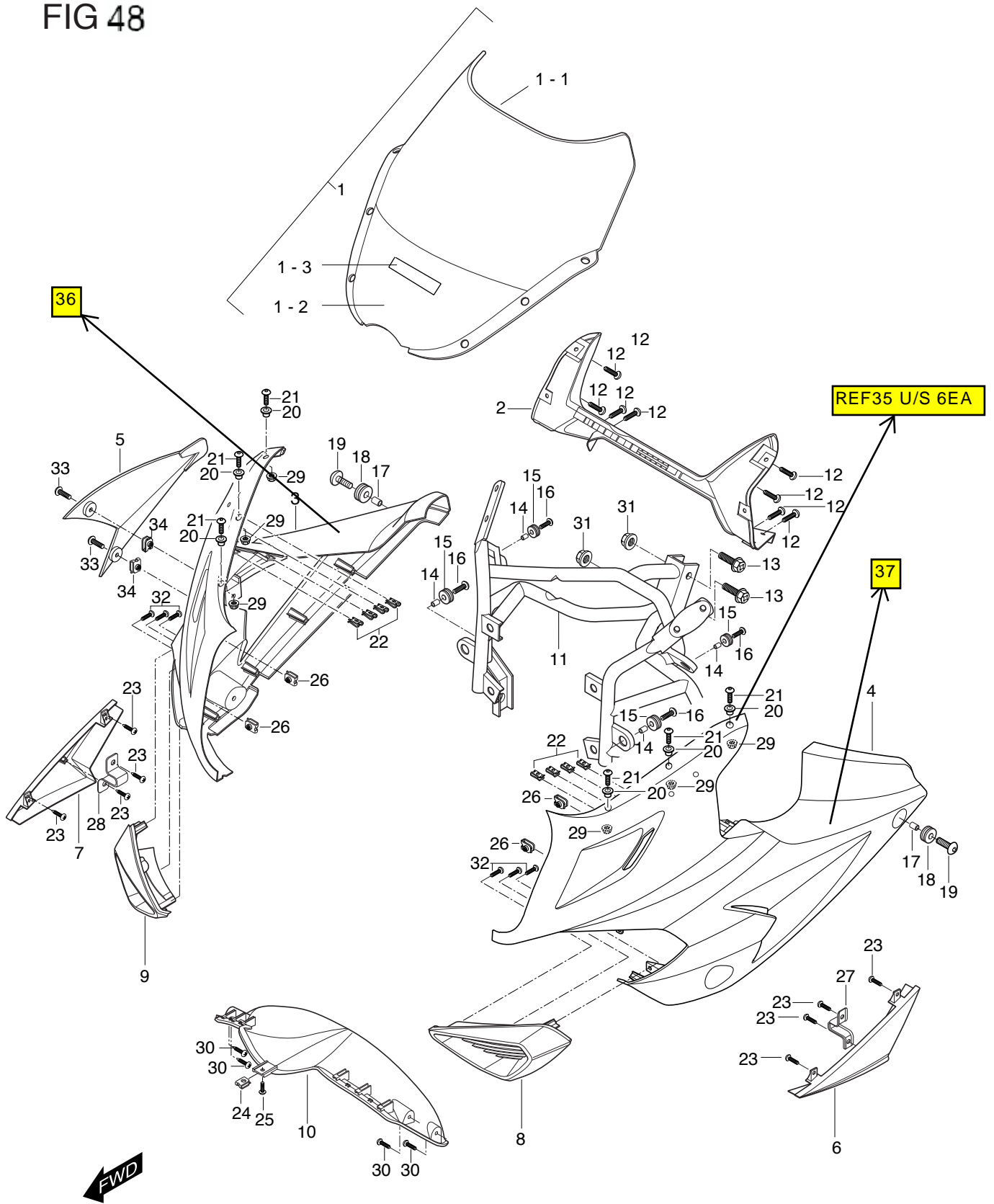


FIG 48 . COW'G BODY

REF. NO.	RAT01	REU01	PART NAME	Q'TY	REMARKS	REC.Q'TY (PCS)
31	08313-11088	08313-11088	NUT, brace comp & frame head pipe	2		
32	03241-04128	03241-04128	SCREW, body side cwling & air doct COW	6		
33	09106H06150	09106H06150	BOLT	2		60
34	09148-06020	09148-06020	NUT	2		
35	09169-05018	09169-05018	WASHER, Windscreen	6		
36	94454HP9400	94454HP9400	CUSHION, Upper Cowling R	1		
37	94455HP9400	94455HP9400	CUSHION, Upper Cowling L	1		

FIG 49

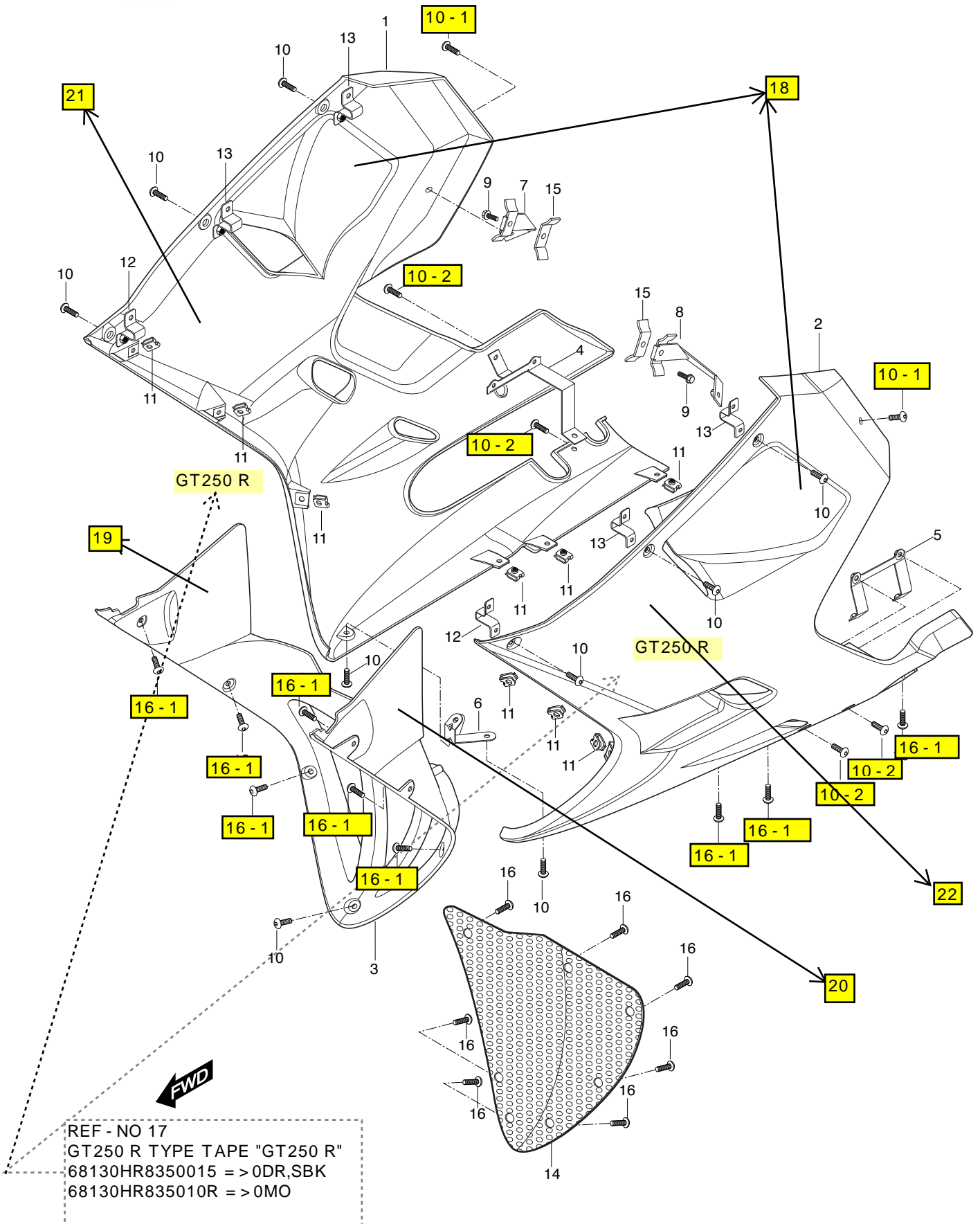


FIG 49. COW'G BODY

REF.			PART NAME	Q'TY	REMARKS	REC.Q'TY
NO.	RAT01	REU01				(PCS)
0	94409HP9450	94409HP9450	UNDER COW'G SET(color:OBK,0DR,0DS,0MO:WITH EMBLUM)			
1	94432HP9402	94432HP9402	COW'G, under RH (color:CBK,CDR,CM	1		5
2	94433HP9400	94433HP9400	COW'G, under LH (color:CBK,CDR,CM	1		5
3	94431HP9400	94431HP9400	COW'G, under center (color:0BK,0DR,0M	1		5
4	94434HR8300	94434HR8300	PLATE, under COW'G RH	1		5
5	94435HR8300	94435HR8300	PLATE, under COW'G LH	1		5
6	94436HP9401	94436HP9401	PLATE, under center COW'G	1		5
7	94478HR8300	94478HR8300	PLATE COMP,under COW'G upper RH	1		5
8	94479HR8300	94479HR8300	PLATE COMP,under COW'G upper LH	1		5
9	01134-06306	01134-06306	BOLT, body under COW'G & frame	2		5
10	09106H05150	09106H05150	BOLT, body under COW'G R/L	11		5
10-1	09136-06113	09136-06113	BOLT	2		5
10-2	09106H06150	09106H06150	BOLT	4		5
11	09148-05004	09148-05004	NUT, under COW'G	9		
12	94425HP9401	94425HP9401	PLATE, body COW'G side lower	2		3
13	94426HP9401	94426HP9401	PLATE, body COW'G side	4		3
14	94439HP9401	94439HP9401	GRILL, under center COW'G	1		
15	94417HP9201	94417HP9201	PLATE COMP, frame & body COW'G No.2	2		
16	03151-05125	03151-05125	SCREW, side COW'G & lower cowl	7		
16-1	03241-05125	03241-05125	SCREW	9		
17	68130HR8350015	68130HR8350015	TAPE, "GT250 R" RH(color:0DR,SBK)	2		3
	68130HR835010R	68130HR835010R	TAPE, "GT250 R" RH(color:0MO)	2		3
18	94453HP9400	94453HP9400	CUSHION, Under Cow'g Side L	2		
19	94456HP9400	94456HP9400	CUSHION, Under Cent Cow'g R	1		
20	94457HP9400	94457HP9400	CUSHION, Under Cent Cow'g L	1		
21	94458HP9400	94458HP9400	CUSHION, Under Cowling R	1		
22	94459HP9400	94459HP9400	CUSHION, Under Cowling L	1		

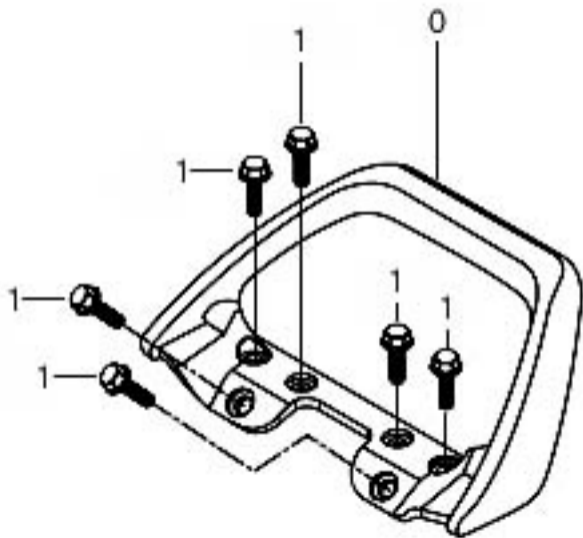


FIG 50. RIDER PILLION

REF.			PART NAME	Q`TY	REMARKS	REC.Q`TY
NO.	RAT01	REU01				(PCS)
0	47510HP9202	47510HP9202	RIDER, PILLION	1		
1	07120-08208	07120-08208	BOLT, PILLION	6		5