

PREFACE

- 1.This master price list of GT650 was newly prepared and the prices herein will be effective on orders received by us and after October 24, 2003.
Any price list of GT650 issued previously is no longer valid.
- 2.This master price list is based on US\$ and EUR, and the prices are per a piece, not per sales unit.
- 3.Prices and sales unit in this master price list may be changed without prior notice.

HYOSUNG MOTORS & MACHINERY INC.

REFERENCE

1. Table of specification classified by special country code (registered in October 24, 2003)

- 1) NEU01(WVTA) : DENMARK, FRANCE, IRELAND, ITALY, MALTA, POLAND, PORTUGAL
SLOVENIA, FINLAND, NETHERLANDS, SWEDEN, SWITH
- 2) NEU02 : WVTA 25KW (Specific country not confirmed)
- 3) NAT01 : AUSTRALIA, NEW ZEALAND
- 4) NAT02(25KW) : AUSTRALIA
- 5) NG01 : GERMANY
- 6) NEN01 : U.K, S/AFRICA

2. Special demand

When you order plastic covers including Fuel tank, please add color code to the end of parts number and it will be helpful to register your parts order.

Color code : CMB(Midnight Black),CMO(Mango Orange),CDB(Deep Blue)

HYOSUNG MOTORS & MACHINERY INC.

FIG 1-1

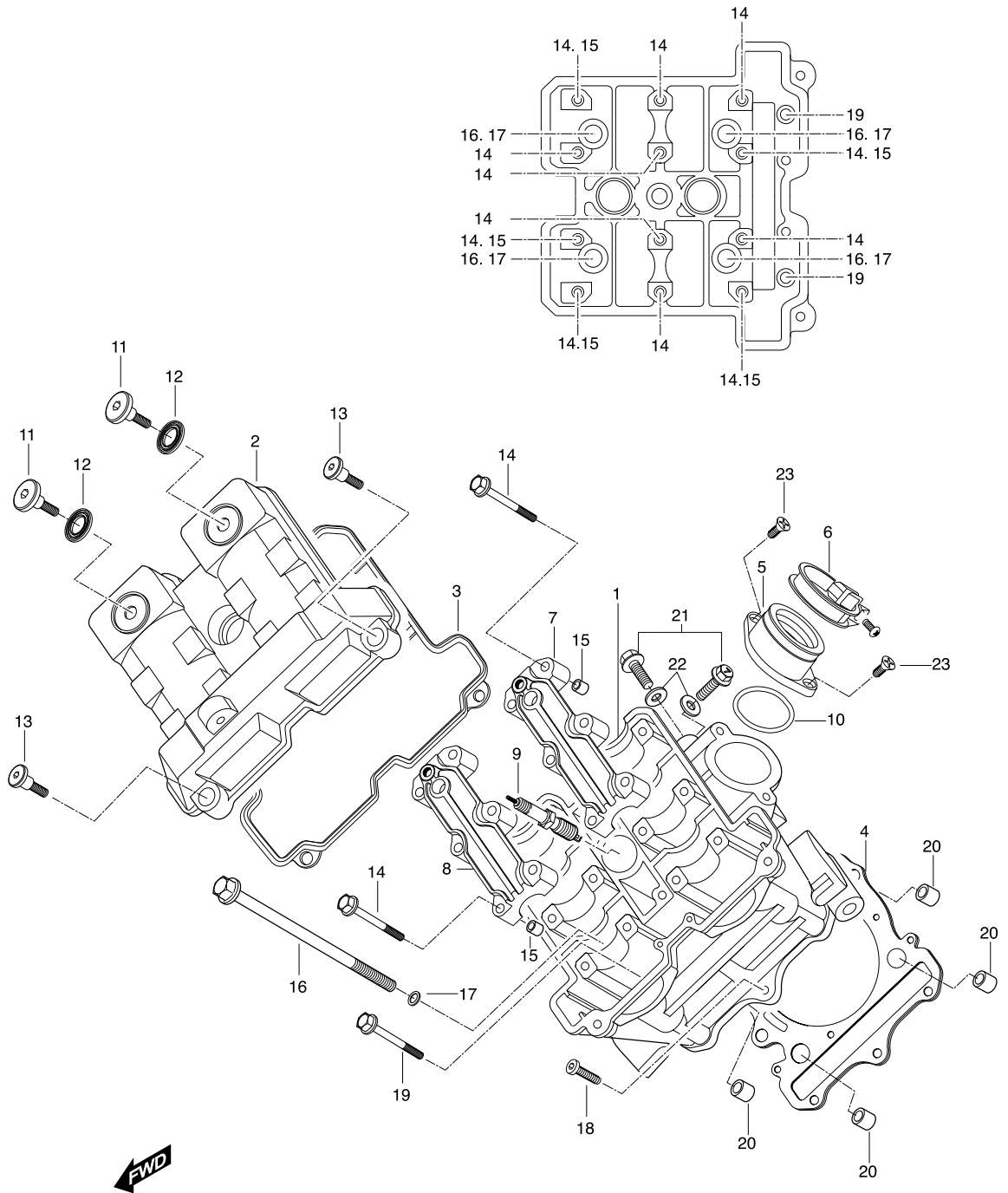


FIG 1-1. CYLINDER HEAD/(FRONT)

REF. PART NUMBER.									PART NAME	Q'TY	REMARKS	REC.QTY / 100 Motorcycles (PCS)
NO.	DOMESTIC	NAT01	NAT02(25KW)	NEN01	NEU01(WVTA)	NEU02(WVTA 25K)	NG01	PUS01				
1	11110SN9100HPA	11110SN9100HPA	11110SN9100HPA	11110SN9100HPA	11110SN9100HPA	11110SN9100HPA	11110SN9100HPA	11110SN9100HPA	HEAD ASS'Y, cylinder front	1		5
1-1	11110HN9100HPA	11110HN9100HPA	11110HN9100HPA	11110HN9100HPA	11110HN9100HPA	11110HN9100HPA	11110HN9100HPA	11110HN9100HPA	HEAD COMP, cylinder	1		
2	11171HN91000S1	11171HN91000S1	11171HN91000S1	11171HN91000S1	11171HN91000S1	11171HN91000S1	11171HN91000S1	11171HN91000S1	COVER, cylinder head front	1		10
3	11173HN9100	11173HN9100	11173HN9100	11173HN9100	11173HN9100	11173HN9100	11173HN9100	11173HN9100	GASKET, cylinder head cover	1		10
4	11141HN9101	11141HN9101	11141HN9101	11141HN9101	11141HN9101	11141HN9101	11141HN9101	11141HN9101	GASKET, cylinder head	1		10
5	13110HN9100	13110HN9100	13110HN9100	13110HN9100	13110HN9100	13110HN9100	13110HN9100	13110HN9100	PIPE COMP, intake front	1		5
6	09402-56208	09402-56208	09402-56208	09402-56208	09402-56208	09402-56208	09402-56208	09402-56208	CLAMP, carburetor	1		10
7	11131HN9100PCH	11131HN9100PCH	11131HN9100PCH	11131HN9100PCH	11131HN9100PCH	11131HN9100PCH	11131HN9100PCH	11131HN9100PCH	HOUSING, camshaft intake	1	NOT SALE	
8	11132HN9100PCH	11132HN9100PCH	11132HN9100PCH	11132HN9100PCH	11132HN9100PCH	11132HN9100PCH	11132HN9100PCH	11132HN9100PCH	HOUSING, camshaft exhaust	1	NOT SALE	
9	09482-00456	09482-00456	09482-00456	09482-00456	09482-00456	09482-00456	09482-00456	09482-00456	PLUG, spark CR8E	1		10
10	13131HN9100	13131HN9100	13131HN9100	13131HN9100	13131HN9100	13131HN9100	13131HN9100	13131HN9100	O-RING, intake pipe	1		10
11	09109H07018	09109H07018	09109H07018	09109H07018	09109H07018	09109H07018	09109H07018	09109H07018	BOLT, cylinder head cover NO.1	2		
12	09161H11008	09161H11008	09161H11008	09161H11008	09161H11008	09161H11008	09161H11008	09161H11008	WASHER, cylinder head cover	2		20
13	09106H07017	09106H07017	09106H07017	09106H07017	09106H07017	09106H07017	09106H07017	09106H07017	BOLT, cylinder head cover NO.2	2		20
14	09103H06002	09103H06002	09103H06002	09103H06002	09103H06002	09103H06002	09103H06002	09103H06002	BOLT, camshaft housing	12		120
15	09206-08001	09206-08001	09206-08001	09206-08001	09206-08001	09206-08001	09206-08001	09206-08001	KNOCK PIN, camshaft housing	4		
16	09103H10001	09103H10001	09103H10001	09103H10001	09103H10001	09103H10001	09103H10001	09103H10001	BOLT, cylinder head (M10)	4		40
17	09160H10002	09160H10002	09160H10002	09160H10002	09160H10002	09160H10002	09160H10002	09160H10002	WASHER, cylinder head bolt	4		40
18	07120-06408	07120-06408	07120-06408	07120-06408	07120-06408	07120-06408	07120-06408	07120-06408	BOLT, cylinder head NO.1 (M6)	1		10
19	09103H06001	09103H06001	09103H06001	09103H06001	09103H06001	09103H06001	09103H06001	09103H06001	BOLT, cylinder head NO.2 (M6)	2		20
20	04213-13189	04213-13189	04213-13189	04213-13189	04213-13189	04213-13189	04213-13189	04213-13189	PIN, cylinder knock	4		60
21	01514-08128	01514-08128	01514-08128	01514-08128	01514-08128	01514-08128	01514-08128	01514-08128	BOLT, oil gallery	2		30
22	09168-08008	09168-08008	09168-08008	09168-08008	09168-08008	09168-08008	09168-08008	09168-08008	GASKET, oil gallery bolt	2		30
23	02122-06208	02122-06208	02122-06208	02122-06208	02122-06208	02122-06208	02122-06208	02122-06208	SCREW, crank outer	2		20

FIG 1-2

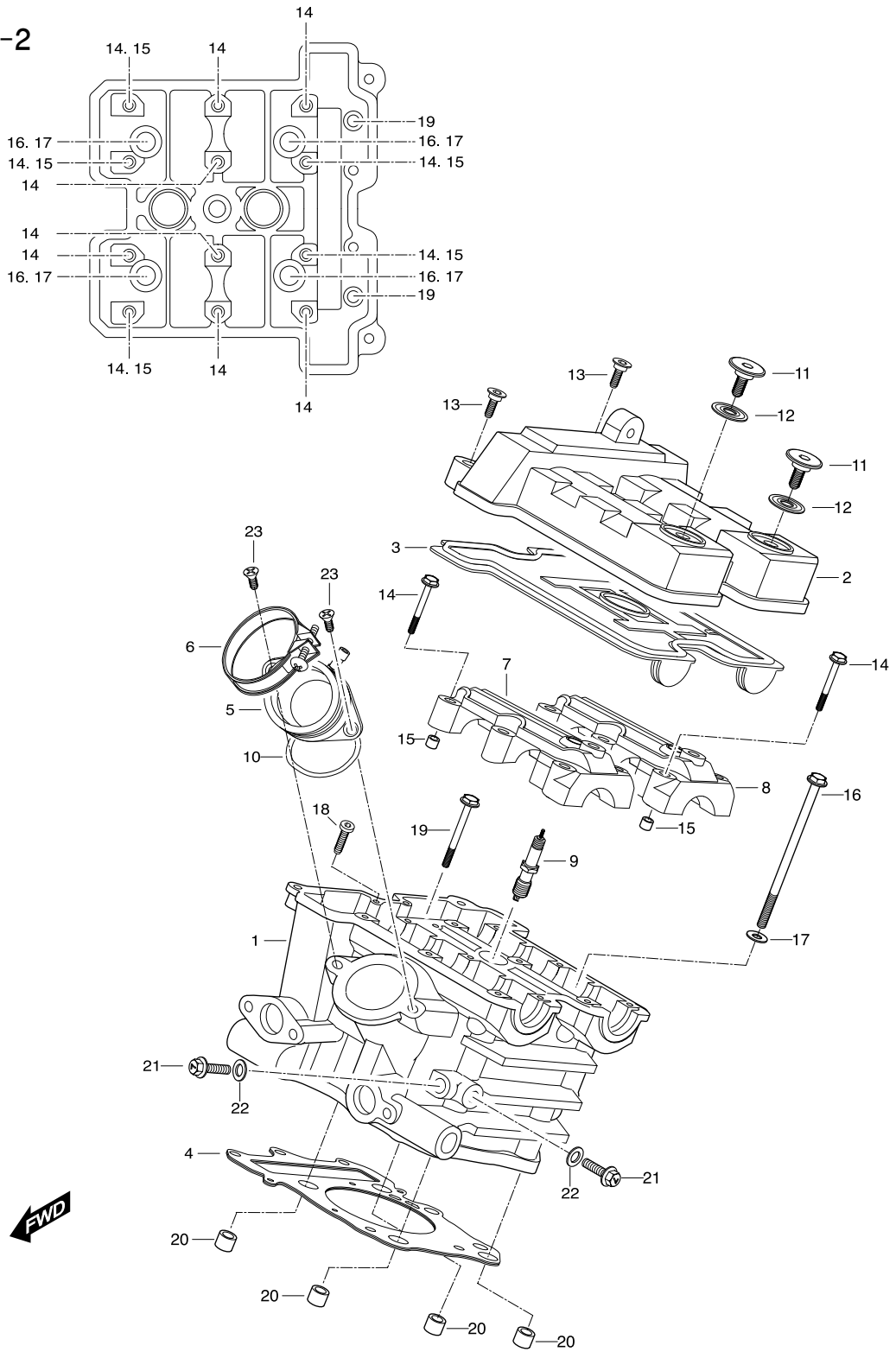


FIG 1-2. CYLINDER HEAD/(REAR)

REF. PART NO.	NUMBER.								PART NAME	Q`TY	REMARKS	REC.Q`TY (PCS)
NO.	DOMESTIC	NAT01	NAT02(25KW)	NEN01	NEU01(WVTA)	NEU02(WVTA 25K)	NG01	PUS01				
1	11120SN9100HPA	11120SN9100HPA	11120SN9100HPA	11120SN9100HPA	11120SN9100HPA	11120SN9100HPA	11120SN9100HPA	11120SN9100HPA	HEAD ASS`Y, cylinder rear	1		5
1-1	11120HN9100HPA	11120HN9100HPA	11120HN9100HPA	11120HN9100HPA	11120HN9100HPA	11120HN9100HPA	11120HN9100HPA	11120HN9100HPA	HEAD COMP, rear	1		
2	11171HN91000S1	11171HN91000S1	11171HN91000S1	11171HN91000S1	11171HN91000S1	11171HN91000S1	11171HN91000S1	11171HN91000S1	COVER, cylinder head rear	1		
3	11173HN9100	11173HN9100	11173HN9100	11173HN9100	11173HN9100	11173HN9100	11173HN9100	11173HN9100	GASKET, cylinder head cover	1		
4	11141HN9101	11141HN9101	11141HN9101	11141HN9101	11141HN9101	11141HN9101	11141HN9101	11141HN9101	GASKET, cylinder head	1		
5	13120HN9101	13120HN9101	13120HN9101	13120HN9101	13120HN9101	13120HN9101	13120HN9101	13120HN9101	PIPE COMP, intake rear	1		5
6	09402-56208	09402-56208	09402-56208	09402-56208	09402-56208	09402-56208	09402-56208	09402-56208	CLAMP, carburetor	1		
7	11131HN9100PCH	11131HN9100PCH	11131HN9100PCH	11131HN9100PCH	11131HN9100PCH	11131HN9100PCH	11131HN9100PCH	11131HN9100PCH	HOUSING, camshaft intake	1	NOT SALE	
8	11132HN9100PCH	11132HN9100PCH	11132HN9100PCH	11132HN9100PCH	11132HN9100PCH	11132HN9100PCH	11132HN9100PCH	11132HN9100PCH	HOUSING, camshaft exhaust	1	NOT SALE	
9	09482-00456	09482-00456	09482-00456	09482-00456	09482-00456	09482-00456	09482-00456	09482-00456	PLUG, spark CR8E	1		
10	13131HN9100	13131HN9100	13131HN9100	13131HN9100	13131HN9100	13131HN9100	13131HN9100	13131HN9100	O-RING, intake pipe	1		
11	09109H07018	09109H07018	09109H07018	09109H07018	09109H07018	09109H07018	09109H07018	09109H07018	BOLT, cylinder head cover NO.1	2		
12	09161H11008	09161H11008	09161H11008	09161H11008	09161H11008	09161H11008	09161H11008	09161H11008	WASHER, cylinder head cover	2		
13	09106H07017	09106H07017	09106H07017	09106H07017	09106H07017	09106H07017	09106H07017	09106H07017	BOLT, cylinder head cover NO.2	2		
14	09103H06002	09103H06002	09103H06002	09103H06002	09103H06002	09103H06002	09103H06002	09103H06002	BOLT, camshaft housing	12		
15	09206-08001	09206-08001	09206-08001	09206-08001	09206-08001	09206-08001	09206-08001	09206-08001	KNOCK PIN, camshaft housing	4		
16	09103H10001	09103H10001	09103H10001	09103H10001	09103H10001	09103H10001	09103H10001	09103H10001	BOLT, cylinder head (M10)	4		
17	09160H10002	09160H10002	09160H10002	09160H10002	09160H10002	09160H10002	09160H10002	09160H10002	WASHER, cylinder head bolt	4		
18	07120-06408	07120-06408	07120-06408	07120-06408	07120-06408	07120-06408	07120-06408	07120-06408	BOLT, cylinder head NO.1 (M6)	1		
19	09103H06001	09103H06001	09103H06001	09103H06001	09103H06001	09103H06001	09103H06001	09103H06001	BOLT, cylinder head NO.2 (M6)	2		
20	04213-13189	04213-13189	04213-13189	04213-13189	04213-13189	04213-13189	04213-13189	04213-13189	PIN, cylinder head knock	4		
21	01514-08128	01514-08128	01514-08128	01514-08128	01514-08128	01514-08128	01514-08128	01514-08128	BOLT, oil gallery	2		
22	09168-08008	09168-08008	09168-08008	09168-08008	09168-08008	09168-08008	09168-08008	09168-08008	GASKET, oil gallery bolt	2		
23	02122-06208	02122-06208	02122-06208	02122-06208	02122-06208	02122-06208	02122-06208	02122-06208	SCREW, crank outer	2		

FIG 2

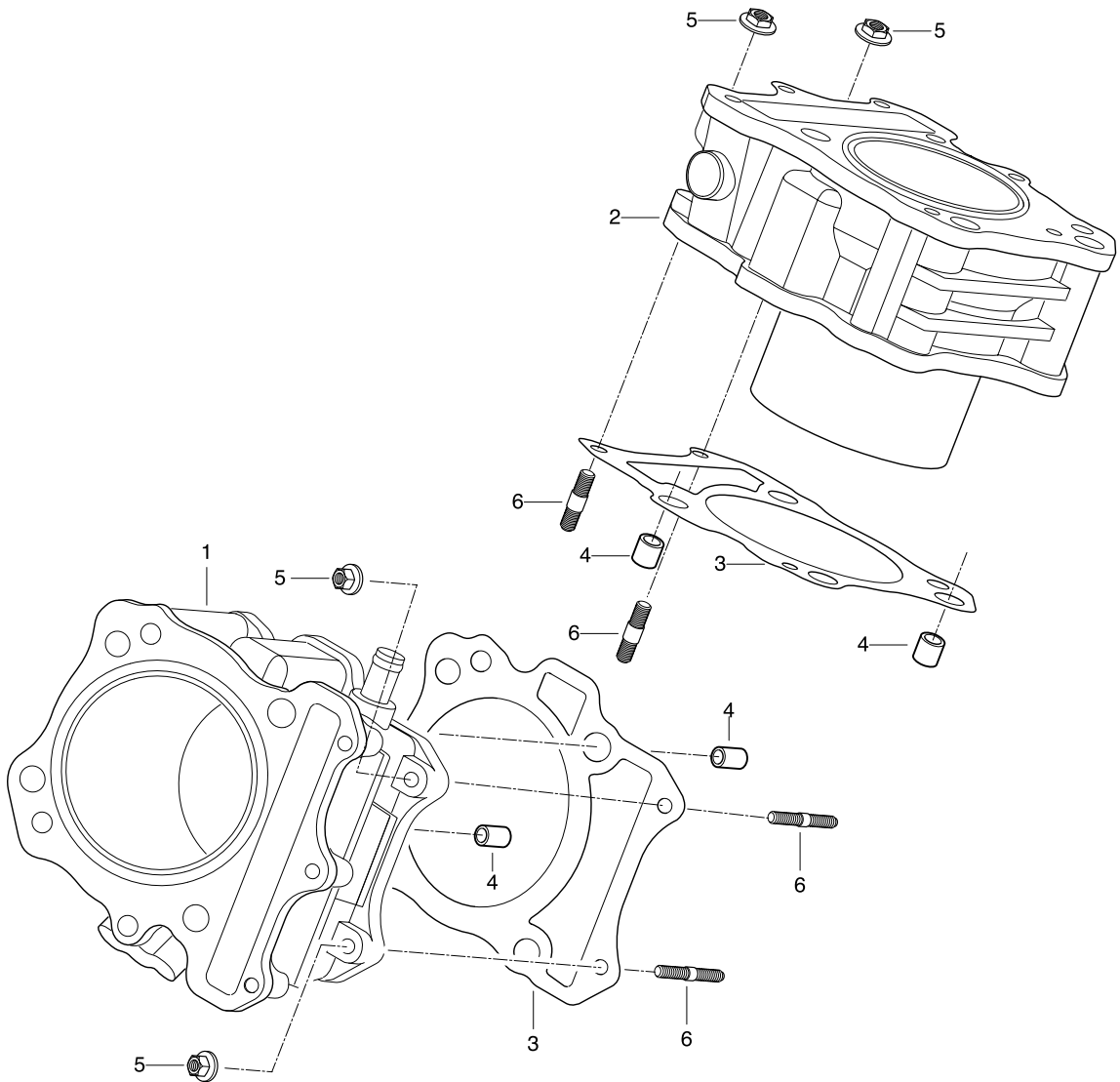


FIG 2. CYLINDER /FRONT, REAR

REF. PART NO.	NUMBER.							PART NAME	Q'TY	REMARKS	REC.Q'TY (PCS)
NO.	DOMESTIC	NAT01	NAT02(25KW)	NEN01	NEU01(WVTA)	NEU02(WVTA 25K)	NG01	PUS01			
1	11210HN9100HPA	11210HN9100HPA	11210HN9100HPA	11210HN9100HPA	11210HN9100HPA	11210HN9100HPA	11210HN9100HPA	11210HN9100HPA	CYLINDER COMP, front	1	5
2	11220HN9100HPA	11220HN9100HPA	11220HN9100HPA	11220HN9120PCY	11220HN9120PCY	11220HN9120PCY	11220HN9120PCY	11220HN9120PCY	CYLINDER COMP, rear	1	5
					11220HN9120PCY = without 01517-06128 bolt and 09168H06019 gasket.						
3	11241HN9101	11241HN9101	11241HN9101	11241HN9101	11241HN9101	11241HN9101	11241HN9101	11241HN9101	GASKET, cylinder	2	10
4	04213-13189	04213-13189	04213-13189	04213-13189	04213-13189	04213-13189	04213-13189	04213-13189	PIN, cylinder head knock	4	
5	08316-16068	08316-16068	08316-16068	08316-16068	08316-16068	08316-16068	08316-16068	08316-16068	NUT, cylinder (M6)	4	25
6	01421-06258	01421-06258	01421-06258	01421-06258	01421-06258	01421-06258	01421-06258	01421-06258	BOLT, cylinder stud (M6)	4	20

FIG 3

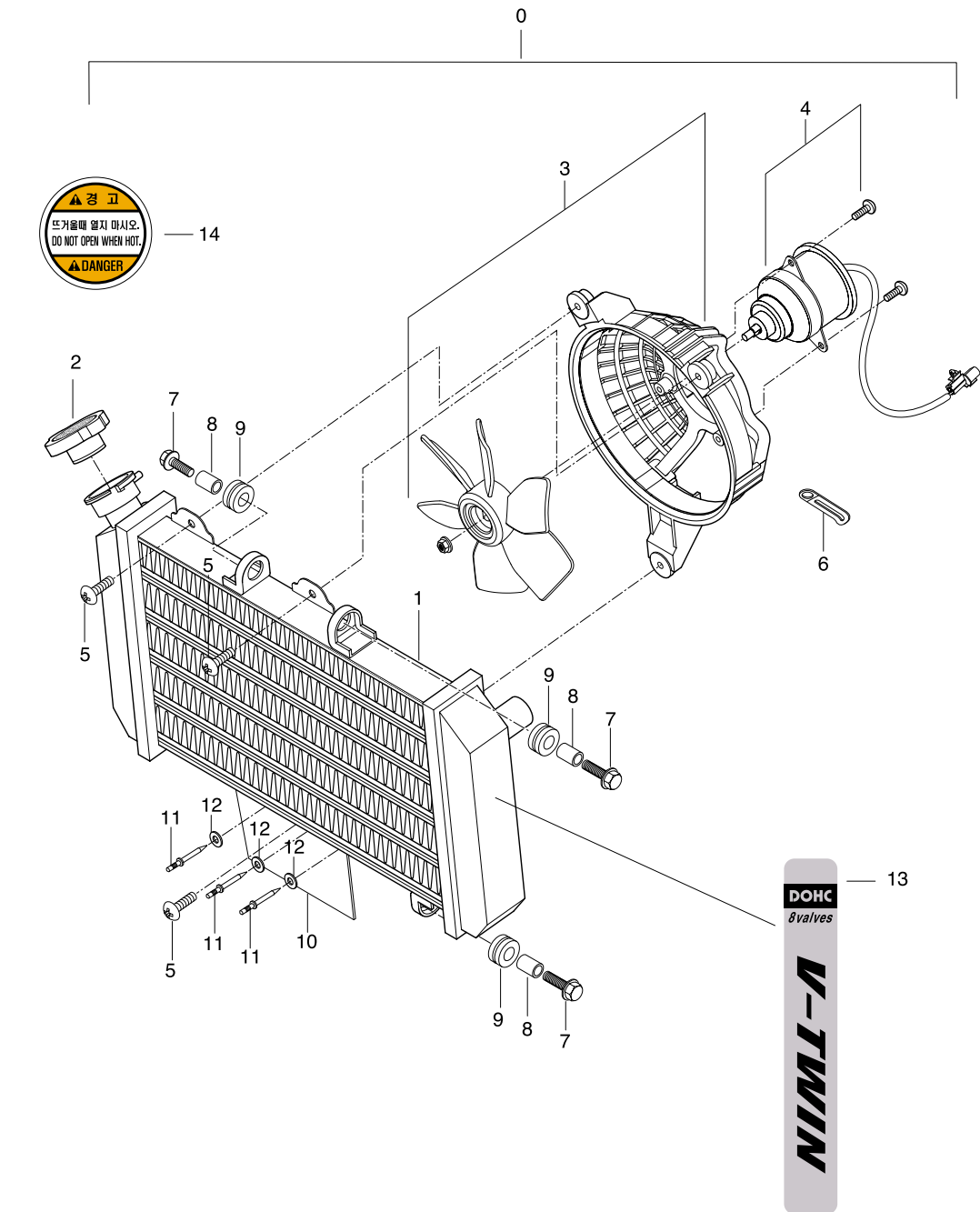


FIG 3. RADIATOR

REF. PART NO.	NUMBER. DOMESTIC	NAT01	NAT02(25KW)	NEN01	NEU01(WVTA)	NEU02(WVTA 25K)	NG01	PUS01	PART NAME	Q`TY	REMARKS	REC.Q`TY (PCS)
0	17700HN9102121	17700HN9102121	17700HN9102121	17700HN9102121	17700HN9102121	17700HN9102121	17700HN9102121		RADIATOR ASS`Y, water	1	NOT SALE	
1	17710HN9102121	17710HN9102121	17710HN9102121	17710HN9102121	17710HN9102121	17710HN9102121	17710HN9102121	17710HN9102121	RADIATOR COMP, water	1		5
2	17720HN9100	17720HN9100	17720HN9100	17720HN9100	17720HN9100	17720HN9100	17720HN9100	17720HN9100	CAP COMP, radiator	1		5
3	17800HN9102	17800HN9102	17800HN9102	17800HN9102	17800HN9102	17800HN9102	17800HN9102	17800HN9102	FAN ASS`Y, radiator	1		5
4	17810HN9100	17810HN9100	17810HN9100	17810HN9100	17810HN9100	17810HN9100	17810HN9100	17810HN9100	MOTOR ASS`Y, radiator fan	1		
5	02142-05165	02142-05165	02142-05165	02142-05165	02142-05165	02142-05165	02142-05165	02142-05165	BOLT, radiator fan	3		
6	09404-06429	09404-06429	09404-06429	09404-06429	09404-06429	09404-06429	09404-06429	09404-06429	CLAMP, radiator fan	1		
7	09116-06143	09116-06143	09116-06143	09116-06143	09116-06143	09116-06143	09116-06143	09116-06143	BOLT, radiator	3		15
8	09180-06030	09180-06030	09180-06030	09180-06030	09180-06030	09180-06030	09180-06030	09180-06030	SPACER, radiator	3		15
9	09320-10015	09320-10015	09320-10015	09320-10015	09320-10015	09320-10015	09320-10015	09320-10015	CUSHION, radiator	3		15
10	17761HN9100	17761HN9100	17761HN9100	17761HN9100	17761HN9100	17761HN9100	17761HN9100	17761HN9100	MUD GUARD, radiator	1		5
11	09229-03011	09229-03011	09229-03011	09229-03011	09229-03011	09229-03011	09229-03011	09229-03011	RIVET, mud guard	3		35
12	68928-09F00	68928-09F00	68928-09F00	68928-09F00	68928-09F00	68928-09F00	68928-09F00	68928-09F00	WASHER, mud guard rivet	3		
13	68150HN9100	68150HN9100	68150HN9100	68150HN9100	68150HN9100	68150HN9100	68150HN9100	68150HN9100	PLATE, radiator	2		10
14	68170HN9100	68170HN9100	68170HN9100	68170HN9100	68170HN9100	68170HN9100	68170HN9100	68170HN9100	LABEL, radiator	1		5

FIG 4

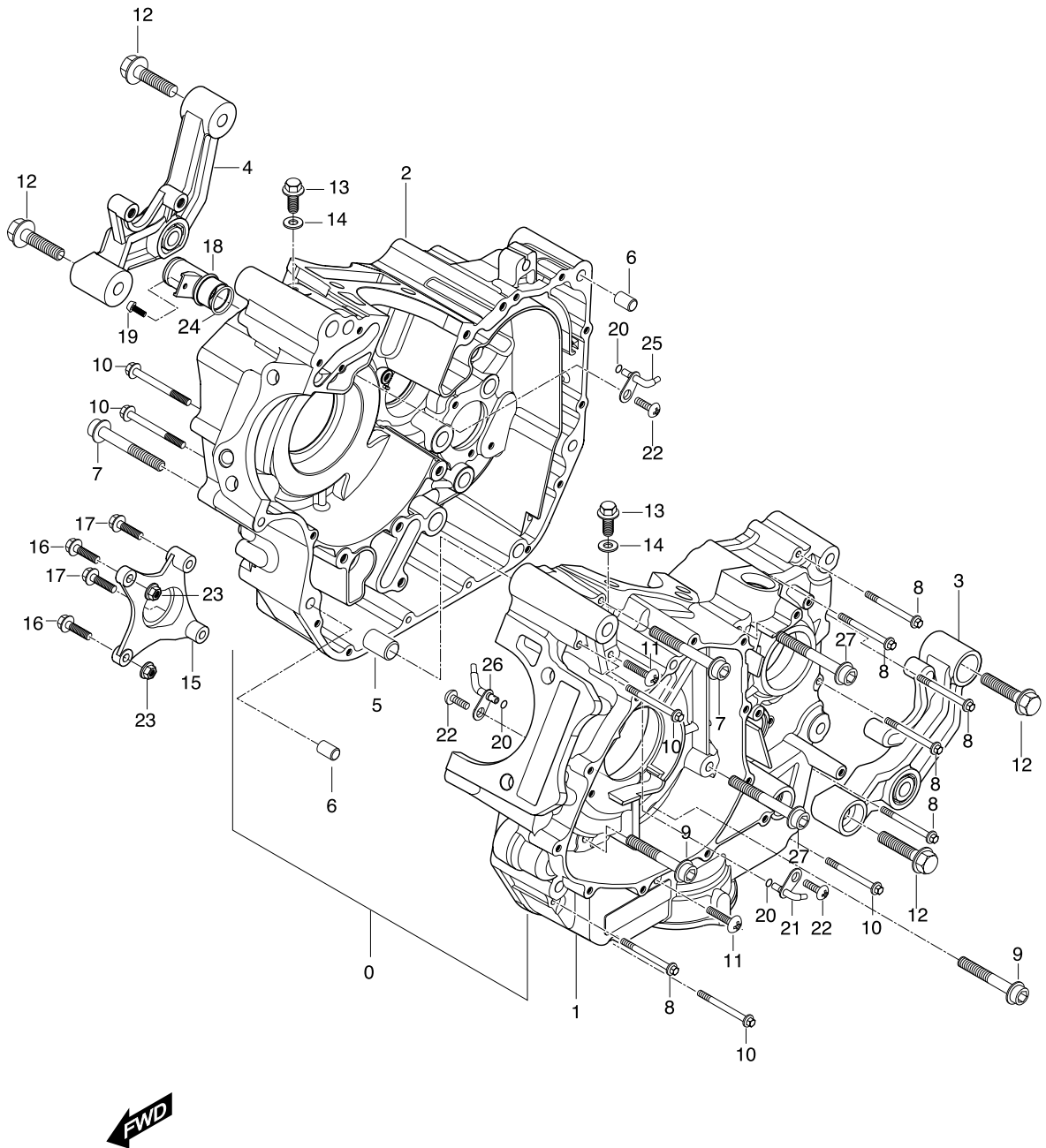


FIG 4. CRANK CASE

REF. PART NO.	NUMBER.								PART NAME	Q'TY	REMARKS	REC.Q'TY (PCS)
	DOMESTIC	NAT01	NAT02(25KW)	NEN01	NEU01(WVTA)	NEU02(WVTA 25K)	NG01	PUS01				
0	11300HN9100HPA	11300HN9100HPA	11300HN9100HPA	11300HN9100HPA	11300HN9100HPA	11300HN9100HPA	11300HN9100HPA	11300HN9100HPA	CRANKCASE ASS'Y	1		
1	11320HN9104PCC	11320HN9104PCC	11320HN9104PCC	11320HN9104PCC	11320HN9104PCC	11320HN9104PCC	11320HN9104PCC	11320HN9104PCC	CRANKCASE COMP, L	1		5
2	11310HN9104PCC	11310HN9104PCC	11310HN9104PCC	11310HN9104PCC	11310HN9104PCC	11310HN9104PCC	11310HN9104PCC	11310HN9104PCC	CRANKCASE COMP, R	1		5
3	41171HN910103P	41171HN910103P	41171HN910103P	41171HN910103P	41171HN910103P	41171HN910103P	41171HN910103P	41171HN910103P	LINK, engine mounting L	1		5
4	41161HN910103P	41161HN910103P	41161HN910103P	41161HN910103P	41161HN910103P	41161HN910103P	41161HN910103P	41161HN910103P	LINK, engine mounting R	1		5
5	09206H18001	09206H18001	09206H18001	09206H18001	09206H18001	09206H18001	09206H18001	09206H18001	PIN, crank case knock	1		5
6	04213-13189	04213-13189	04213-13189	04213-13189	04213-13189	04213-13189	04213-13189	04213-13189	PIN, crank case knock	2		
7	07120-08608	07120-08608	07120-08608	07120-08608	07120-08608	07120-08608	07120-08608	07120-08608	BOLT, crank case M8	2		10
8	01547-06608	01547-06608	01547-06608	01547-06608	01547-06608	01547-06608	01547-06608	01547-06608	BOLT, crank case M6	6		40
9	07120-08708	07120-08708	07120-08708	07120-08708	07120-08708	07120-08708	07120-08708	07120-08708	BOLT, crank case M8	2		10
10	01547-06808	01547-06808	01547-06808	01547-06808	01547-06808	01547-06808	01547-06808	01547-06808	BOLT, crankcase M6	5		25
11	02112-06958	02112-06958	02112-06958	02112-06958	02112-06958	02112-06958	02112-06958	02112-06958	SCREW, crankcase	2		10
12	01517-10458	01517-10458	01517-10458	01517-10458	01517-10458	01517-10458	01517-10458	01517-10458	BOLT, engine mounting link & cylhead	4		25
13	01514-08128	01517-08128	01517-08128	01517-08128	01517-08128	01517-08128	01517-08128	01514-08128	BOLT, oil gallery	2		
14	09168-08008	09168-08008	09168-08008	09168-08008	09168-08008	09168-08008	09168-08008	09168-08008	GASKET, oil gallery bolt	2		
15	31135HN9100OS1	31135HN9100OS1	31135HN9100OS1	31135HN9100OS1	31135HN9100OS1	31135HN9100OS1	31135HN9100OS1	31135HN9100OS1	BRACKET, starter motor	1		5
16	01547-06258	01547-06258	01547-06258	01547-06258	01547-06258	01547-06258	01547-06258	01547-06258	BOLT, starter motor bracket	2		20
17	01547-06308	01547-06308	01547-06308	01547-06308	01547-06308	01547-06308	01547-06308	01547-06308	BOLT, starter motor	2		30
18	17481HN9100	17481HN9100	17481HN9100	17481HN9100	17481HN9100	17481HN9100	17481HN9100	17481HN9100	UNION, water pump hose	1		5
19	07110-06108	07110-06108	07110-06108	07110-06108	07110-06108	07110-06108	07110-06108	07110-06108	BOLT, water hose union	1		
20	09280H04001	09280H04001	09280H04001	09280H04001	09280H04001	09280H04001	09280H04001	09280H04001	O-RING, oil jet	3		30
21	11440HN9100	11440HN9100	11440HN9100	11440HN9100	11440HN9100	11440HN9100	11440HN9100	11440HN9100	JET COMP, starter clutch oil	1		5
22	02112-06108	02112-06108	02112-06108	02112-06108	02112-06108	02112-06108	02112-06108	02112-06108	SCREW, oil jet	3		15
23	08313-11068	08313-11068	08313-11068	08313-11068	08313-11068	08313-11068	08313-11068	08313-11068	NUT, starter motor bracket	2		15
24	09280H21001	09280H21001	09280H21001	09280H21001	09280H21001	09280H21001	09280H21001	09280H21001	O-RING, water pump union	1		5
25	11430HN9100	11430HN9100	11430HN9100	11430HN9100	11430HN9100	11430HN9100	11430HN9100	11430HN9100	JET COMP, piston rear oil	1		5
26	11420HN9100	11420HN9100	11420HN9100	11420HN9100	11420HN9100	11420HN9100	11420HN9100	11420HN9100	JET COMP, piston front oil	1		5
27	09103H08001	09103H08001	09103H08001	09103H08001	09103H08001	09103H08001	09103H08001	09103H08001	BOLT, crank case M8(L100)	2		10

FIG 5

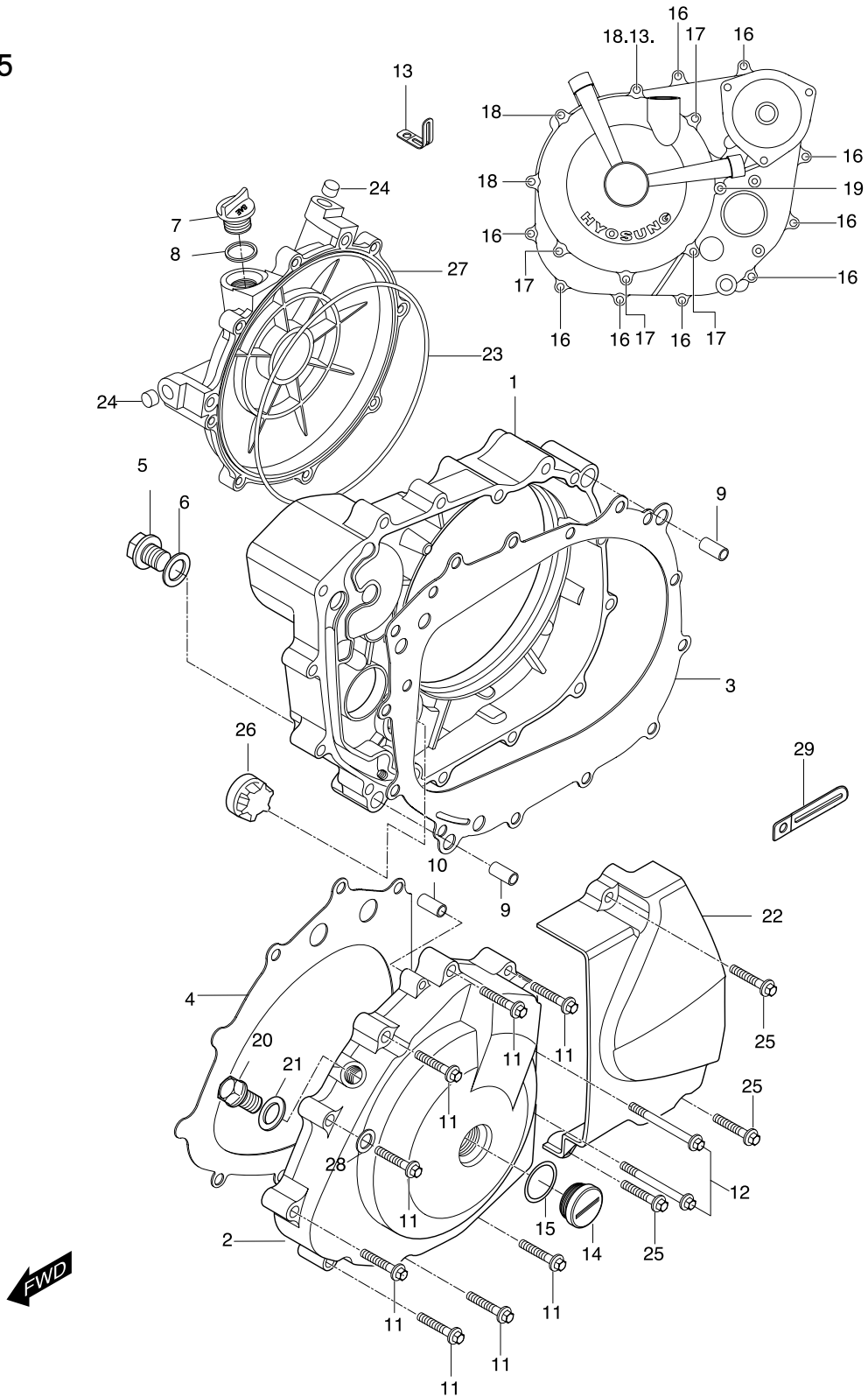


FIG 5. CRANK CASE COVER

REF. PART NO.	NUMBER.								PART NAME	Q'TY	REMARKS	REC.Q'TY (PCS)
NO.	DOMESTIC	NAT01	NAT02(25KW)	NEN01	NEU01(WVTA)	NEU02(WVTA 25K)	NG01	PUS01				
1	11331HN91010S1	11331HN91010S1	11331HN91010S1	11331HN91010S1	11331HN91010S1	11331HN91010S1	11331HN91010S1	11331HN91010S1	COVER COMP, clutch (Without oil lens)	1		
	11331SN9101HPA	11331SN9101HPA	11331SN9101HPA	11331SN9101HPA	11331SN9101HPA	11331SN9101HPA	11331SN9101HPA	11331SN9101HPA	COVER COMP, clutch (With oil lens)	1		5
2	11351HN91020S1	11351HN91020S1	11351HN91020S1	11351HN91020S1	11351HN91020S1	11351HN91020S1	11351HN91020S1	11351HN91020S1	COVER , magneto	1		5
3	11481HN9101	11481HN9101	11481HN9101	11481HN9101	11481HN9101	11481HN9101	11481HN9101	11481HN9101	GASKET, clutch cover (NA)	1		5
4	11483HN9101	11483HN9101	11483HN9101	11483HN9101	11483HN9101	11483HN9101	11483HN9101	11483HN9101	GASKET, magneto cover	1		5
5	09247-14026	09247-14026	09247-14026	09247-14026	09247-14026	09247-14026	09247-14026	09247-14026	PLUG, oil check	1		5
6	09168H14003	09168H14003	09168H14003	09168H14003	09168H14003	09168H14003	09168H14003	09168H14003	GASKET, oil check plug	1		10
7	09259-2000903P	09259-2000903P	09259-2000903P	09259-2000903P	09259-2000903P	09259-2000903P	09259-2000903P	09259-2000903P	PLUG, engine oil filler	1		5
8	09280-17003	09280-17003	09280-17003	09280-17003	09280-17003	09280-17003	09280-17003	09280-17003	O-RING, engine oil filler plug	1		5
9	04213-13189	04213-13189	04213-13189	04213-13189	04213-13189	04213-13189	04213-13189	04213-13189	PIN, clutch cover knock	2		
10	04213-09129	04213-09129	04213-09129	04213-09129	04213-09129	04213-09129	04213-09129	04213-09129	PIN, magneto cover knock	1		5
11	01547-06358	01547-06358	01547-06358	01547-06358	01547-06358	01547-06358	01547-06358	01547-06358	BOLT, magneto cover	8		85
12	01547-06558	01547-06558	01547-06558	01547-06558	01547-06558	01547-06558	01547-06558	01547-06558	BOLT, magneto cover	2		10
13	09404-06401	09404-06401	09404-06401	09404-06401	09404-06401	09404-06401	09404-06401	09404-06401	CLAMP, clutch cover	1		
14	09259-2601503P	09259-2601503P	09259-2601503P	09259-2601503P	09259-2601503P	09259-2601503P	09259-2601503P	09259-2601503P	PLUG, crankshaft hole	1		5
15	09280-22008	09280-22008	09280-22008	09280-22008	09280-22008	09280-22008	09280-22008	09280-22008	O-RING, crankshaft hole plug	1		5
16	01547-06358	01547-06358	01547-06358	01547-06358	01547-06358	01547-06358	01547-06358	01547-06358	BOLT, clutch cover	9		
17	01547-06258	01547-06258	01547-06258	01547-06258	01547-06258	01547-06258	01547-06258	01547-06258	BOLT, clutch cover outer	4		
18	01547-06708	01547-06708	01547-06708	01547-06708	01547-06708	01547-06708	01547-06708	01547-06708	BOLT, clutch cover outer	3		15
19	01547-06508	01547-06508	01547-06508	01547-06508	01547-06508	01547-06508	01547-06508	01547-06508	BOLT, clutch cover outer	1		5
20	09247H12102	09247H12102	09247H12102	09247H12102	09247H12102	09247H12102	09247H12102	09247H12102	PLUG, TDC	1		5
21	09168H12003	09168H12003	09168H12003	09168H12003	09168H12003	09168H12003	09168H12003	09168H12003	GASKET, TDC plug	1		5
22	11361HN91000S1	11361HN91000S1	11361HN91000S1	11361HN91000S1	11361HN91000S1	11361HN91000S1	11361HN91000S1	11361HN91000S1	COVER, engine sprocket	1		5
23	11482HN9100	11482HN9100	11482HN9100	11482HN9100	11482HN9100	11482HN9100	11482HN9100	11482HN9100	O-RING, clutch outer cover	1		5
24	09243-11005	09243-11005	09243-11005	09243-11005	09243-11005	09243-11005	09243-11005	09243-11005	PLUG, oil gallery	3	~KM4MP51A541100124	15
24~1	09243-11005	09243-11005	09243-11005	09243-11005	09243-11005	09243-11005	09243-11005	09243-11005		3	KM4MP51A541100125~	15
25	01547-06258	01547-06258	01547-06258	01547-06258	01547-06258	01547-06258	01547-06258	01547-06258	BOLT, engine sprocket cover	3		
26	11332HN9100	11332HN9100	11332HN9100	11332HN9100	11332HN9100	11332HN9100	11332HN9100	11332HN9100	LENS, oil level check	1		5
27	11341HN9101HPA	11341HN9101HPA	11341HN9101HPA	11341HN9101HPA	11341HN9101HPA	11341HN9101HPA	11341HN9101HPA	11341HN9101HPA	COV CLUTCH, outer	1		5
28	09168H06019	09168H06019	09168H06019	09168H06019	09168H06019	09168H06019	09168H06019	09168H06019	GASKET, magneto cover bolt	1		25
29	09404-06401	09404-06401	09404-06401	09404-06401	09404-06401	09404-06401	09404-06401	09404-06401	CLAMP	1		

FIG 6

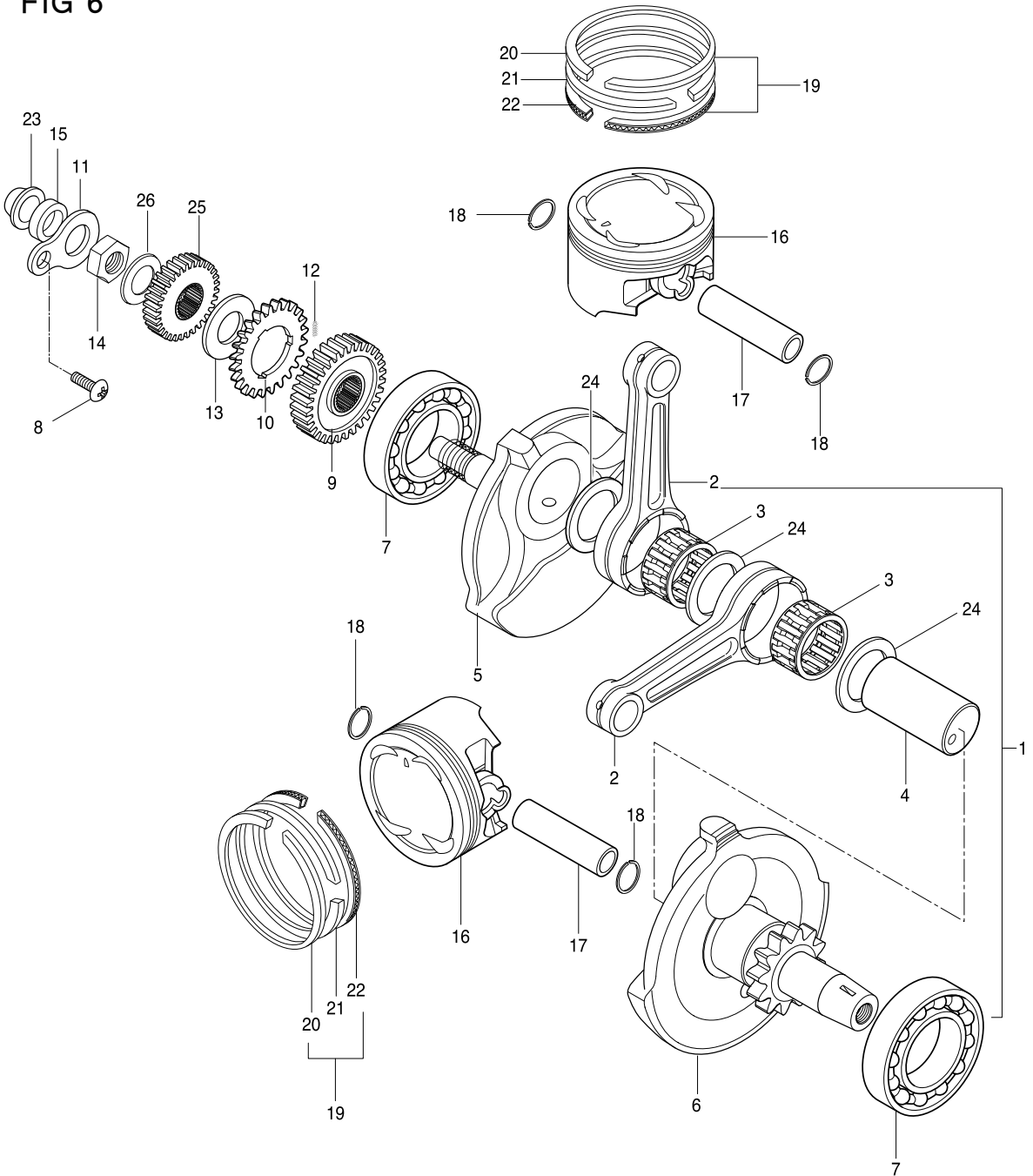


FIG 6. CRANK SHAFT

REF. PART	NUMBER.							PART NAME	Q'TY	REMARKS	REC.Q'TY (PCS)		
	DOMESTIC	NAT01	NAT02(25KW)	NEN01	NEU01(WVTA)	NEU02(WVTA 25K)	NG01					PUS01	
1	12200HN9100HPA	12200HN9100HPA	12200HN9100HPA	12200HN9100HPA	12200HN9100HPA	12200HN9100HPA	12200HN9100HPA	12200HN9100HPA	CRANK SHAFT ASS'Y	1		5	
2	12161HN9101	12161HN9101	12161HN9101	12161HN9101	12161HN9101	12161HN9101	12161HN9101	12161HN9101	ROD, connecting	2		10	
3	09263H37001	09263H37001	09263H37001	09263H37001	09263H37001	09263H37001	09263H37001	09263H37001	BEARING, crank pin	2		10	
4	12211HN9100	12211HN9100	12211HN9100	12211HN9100	12211HN9100	12211HN9100	12211HN9100	12211HN9100	PIN COMP, crank	1		5	
5	12221HN9102CSA	12221HN9102CSA	12221HN9102CSA	12221HN9102CSA	12221HN9102CSA	12221HN9102CSA	12221HN9102CSA	12221HN9102CSA	12221HN9102CSA	CRANK SHAFT, R	1		5
6	12261HN9102CSA	12261HN9102CSA	12261HN9102CSA	12261HN9102CSA	12261HN9102CSA	12261HN9102CSA	12261HN9102CSA	12261HN9102CSA	12261HN9102CSA	CRANK SHAFT, L	1		5
7	08113-63070	08113-63070	08113-63070	08113-63070	08113-63070	08113-63070	08113-63070	08113-63070	BEARING, crank shaft	2		10	
8	02112-06126	02112-06126	02112-06126	02112-06126	02112-06126	02112-06126	02112-06126	02112-06126	SCREW, crank shaft oil seal retainer	1		5	
9	21111HN9100	21111HN9100	21111HN9100	21111HN9100	21111HN9100	21111HN9100	21111HN9100	21111HN9100	GEAR, primary drive	1		5	
10	21112HN9100	21112HN9100	21112HN9100	21112HN9100	21112HN9100	21112HN9100	21112HN9100	21112HN9100	GEAR, primary drive NO.2	1		5	
11	12281HN9100	12281HN9100	12281HN9100	12281HN9100	12281HN9100	12281HN9100	12281HN9100	12281HN9100	RETAINER, crank shaft oil seal	1		5	
12	21114-35C00	21114-35C00	21114-35C00	21114-35C00	21114-35C00	21114-35C00	21114-35C00	21114-35C00	SPRING, primary drive gear	3		15	
13	08211-22422	08211-22422	08211-22422	08211-22422	08211-22422	08211-22422	08211-22422	08211-22422	WASHER, primary drive gear thrust	1		5	
14	09140H18001	09140H18001	09140H18001	09140H18001	09140H18001	09140H18001	09140H18001	09140H18001	NUT, primary drive gear	1		5	
15	09282-12001	09282-12001	09282-12001	09282-12001	09282-12001	09282-12001	09282-12001	09282-12001	SEAL, crank shaft oil RH	1		5	
16	12111HN9101	12111HN9101	12111HN9101	12111HN9101	12111HN9101	12111HN9101	12111HN9101	12111HN9101	PISTON	2		10	
17	12151HN9101	12151HN9101	12151HN9101	12151HN9101	12151HN9101	12151HN9101	12151HN9101	12151HN9101	PIN, piston	2		10	
18	09381H20001	09381H20001	09381H20001	09381H20001	09381H20001	09381H20001	09381H20001	09381H20001	CIRCLIP, piston pin	4		20	
19	12140HN9100	12140HN9100	12140HN9100	12140HN9100	12140HN9100	12140HN9100	12140HN9100	12140HN9100	RINGSET, piston	2	NOT SALE		
20	12141HN9100	12141HN9100	12141HN9100	12141HN9100	12141HN9100	12141HN9100	12141HN9100	12141HN9100	RING, piston 1st	2		10	
21	12142HN9100	12142HN9100	12142HN9100	12142HN9100	12142HN9100	12142HN9100	12142HN9100	12142HN9100	RING, piston 2nd	2		10	
22	12144HN9100	12144HN9100	12144HN9100	12144HN9100	12144HN9100	12144HN9100	12144HN9100	12144HN9100	RING, piston oil	2		10	
23	12291HN9100	12291HN9100	12291HN9100	12291HN9100	12291HN9100	12291HN9100	12291HN9100	12291HN9100	JET, crank shaft RH	1		5	
24	09160H37001	09160H37001	09160H37001	09160H37001	09160H37001	09160H37001	09160H37001	09160H37001	WASHER, connrod thrust	3		15	
25	17511HN9103	17511HN9103	17511HN9103	17511HN9103	17511HN9103	17511HN9103	17511HN9103	17511HN9103	GEAR, water pump drive	1		5	
26	09164H18001	09164H18001	09164H18001	09164H18001	09164H18001	09164H18001	09164H18001	09164H18001	WASHER, water pump drive gear lock	1		5	

FIG 7

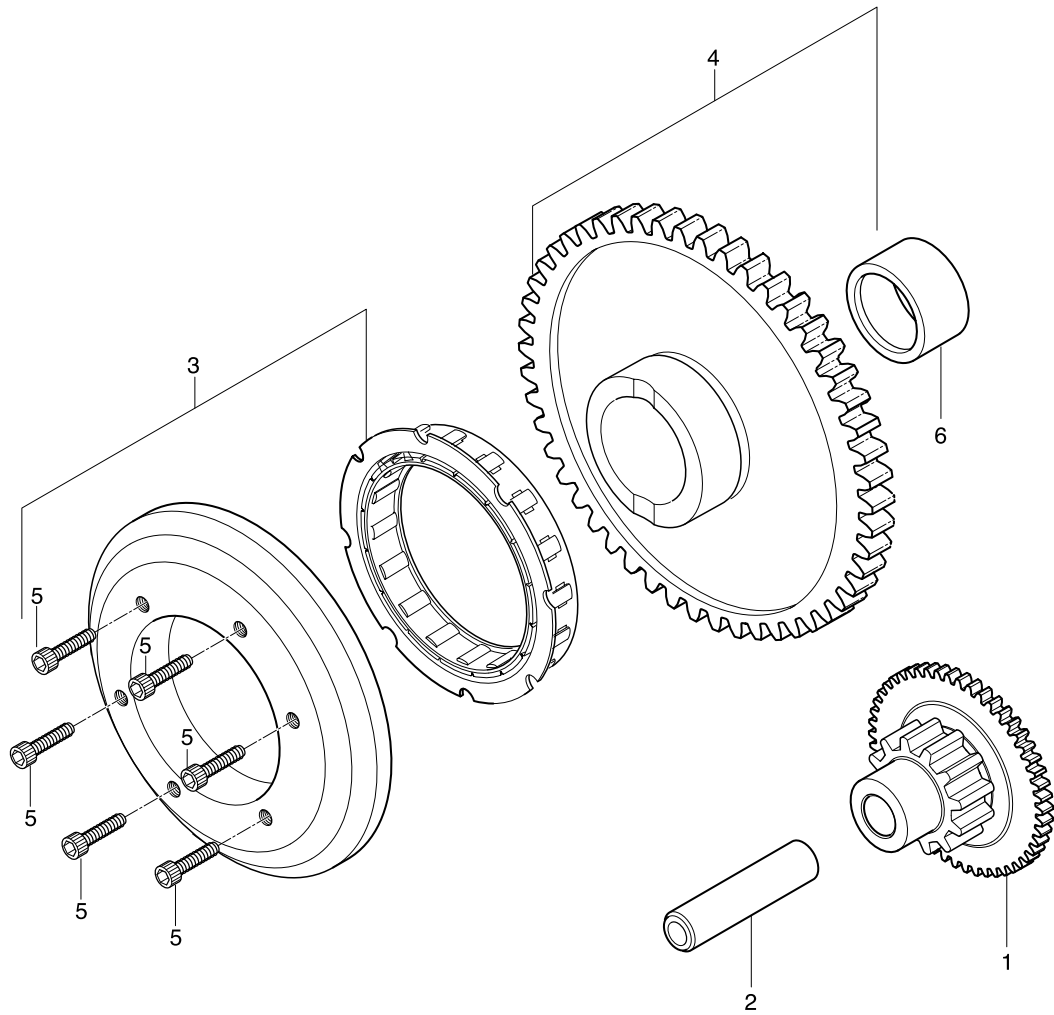


FIG 7. STARTER CLUTCH

REF. PART NUMBER.									PART NAME	Q`TY	REMARKS	REC.Q'TY
NO.	DOMESTIC	NAT01	NAT02(25KW)	NEN01	NEU01(WVTA)	NEU02(WVTA 25K)	NG01	PUS01				(PCS)
1	12611HN9100	12611HN9100	12611HN9100	12611HN9100	12611HN9100	12611HN9100	12611HN9100	12611HN9100	GEAR, starter idle	1		5
2	12612HN9100	12612HN9100	12612HN9100	12612HN9100	12612HN9100	12612HN9100	12612HN9100	12612HN9100	PIN,starter idle gear	1	~KM4MP51A961103549	5
2~1	09206-13003	09206-13003	09206-13003	09206-13003	09206-13003	09206-13003	09206-13003	09206-13003	PIN,starter idle gear	1	KM4MP51A961103550~	5
3	12614HN9100	12614HN9100	12614HN9100	12614HN9100	12614HN9100	12614HN9100	12614HN9100	12614HN9100	CLUTCH, starter one way	1		5
4	12620HN9101	12620HN9101	12620HN9101	12620HN9101	12620HN9101	12620HN9101	12620HN9101	12620HN9101	GEAR COMP, starter clutch	1		5
5	07110-08168	07110-08168	07110-08168	07110-08168	07110-08168	07110-08168	07110-08168	07110-08168	BOLT, starter clutch	6		30
6	09304H27001	09304H27001	09304H27001	09304H27001	09304H27001	09304H27001	09304H27001	09304H27001	BUSH, starter clutch gear	1	NOT SALE	

FIG 8

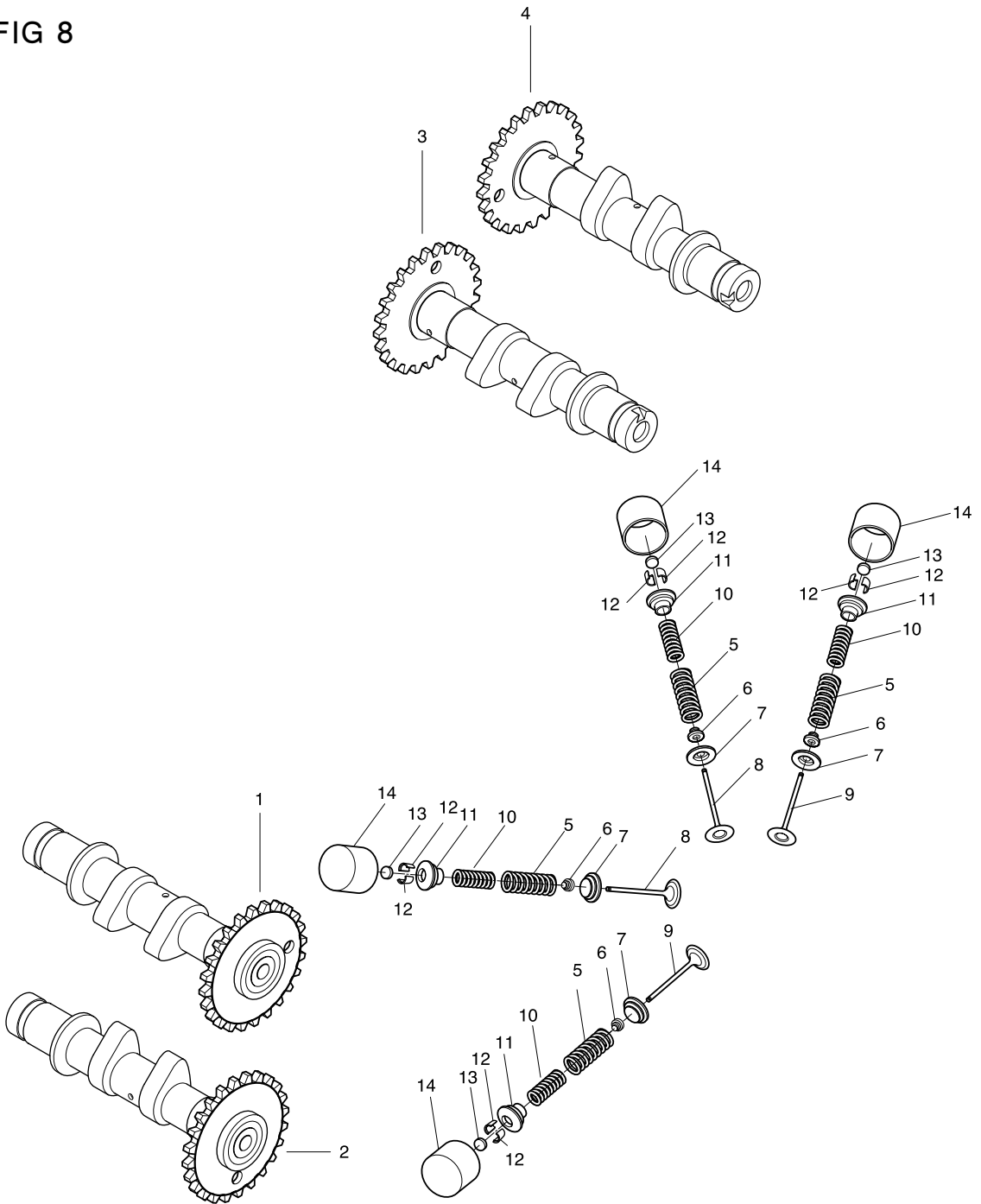


FIG 8. CAMSHAFT / VALVE

REF. PART NO.	NUMBER.							PART NAME	Q'TY	REMARKS	REC.Q'TY (PCS)
DOMESTIC	NAT01	NAT02(25KW)	NEN01	NEU01(WVTA)	NEU02(WVTA 25K)	NG01	PUS01				
1	12710HN9100HPA	12710HN9100HPA	12710HN9100HPA	12710HN9100HPA	12710HN9100HPA	12710HN9100HPA	12710HN9100HPA	12710HN9100HPA	CAMSHAFT ASS'Y, front intake	1	10
2	12730HN9100HPA	12730HN9100HPA	12730HN9100HPA	12730HN9100HPA	12730HN9100HPA	12730HN9100HPA	12730HN9100HPA	12730HN9100HPA	CAMSHAFT ASS'Y, front exhaust	1	
3	12720HN9100HPA	12720HN9100HPA	12720HN9100HPA	12720HN9100HPA	12720HN9100HPA	12720HN9100HPA	12720HN9100HPA	12720HN9100HPA	CAMSHAFT ASS'Y, rear intake	1	10
4	12740HN9100HPA	12740HN9100HPA	12740HN9100HPA	12740HN9100HPA	12740HN9100HPA	12740HN9100HPA	12740HN9100HPA	12740HN9100HPA	CAMSHAFT ASS'Y, rear exhaust	1	
5	12922HN9100	12922HN9100	12922HN9100	12922HN9100	12922HN9100	12922HN9100	12922HN9100	12922HN9100	SPRING, valve outer	8	40
6	09289H04002	09289H04002	09289H04002	09289H04002	09289H04002	09289H04002	09289H04002	09289H04002	SEAL, valve stem oil	8	40
7	12933HN9100	12933HN9100	12933HN9100	12933HN9100	12933HN9100	12933HN9100	12933HN9100	12933HN9100	SEAT, valve spring	8	40
8	12911HN9100	12911HN9100	12911HN9100	12911HN9100	12911HN9100	12911HN9100	12911HN9100	12911HN9100	VALVE, intake	4	20
9	12912HN9100	12912HN9100	12912HN9100	12912HN9100	12912HN9100	12912HN9100	12912HN9100	12912HN9100	VALVE, exhaust	4	20
10	12921HN9101	12921HN9101	12921HN9101	12921HN9101	12921HN9101	12921HN9101	12921HN9101	12921HN9101	SPRING, valve inner	8	40
11	12931HN9100	12931HN9100	12931HN9100	12931HN9100	12931HN9100	12931HN9100	12931HN9100	12931HN9100	RETAINER, valve spring	8	40
12	12932HJ8200	12932HJ8200	12932HJ8200	12932HJ8200	12932HJ8200	12932HJ8200	12932HJ8200	12932HJ8200	COTTER, valve	16	80
13	12892-05C00170	12892-05C00170	12892-05C00170	12892-05C00170	12892-05C00170	12892-05C00170	12892-05C00170	12892-05C00170	SHIM, tappet (#120-220)	8	40
14	12881HN9100	12881HN9100	12881HN9100	12881HN9100	12881HN9100	12881HN9100	12881HN9100	12881HN9100	TAPPET,	8	40

FIG 9

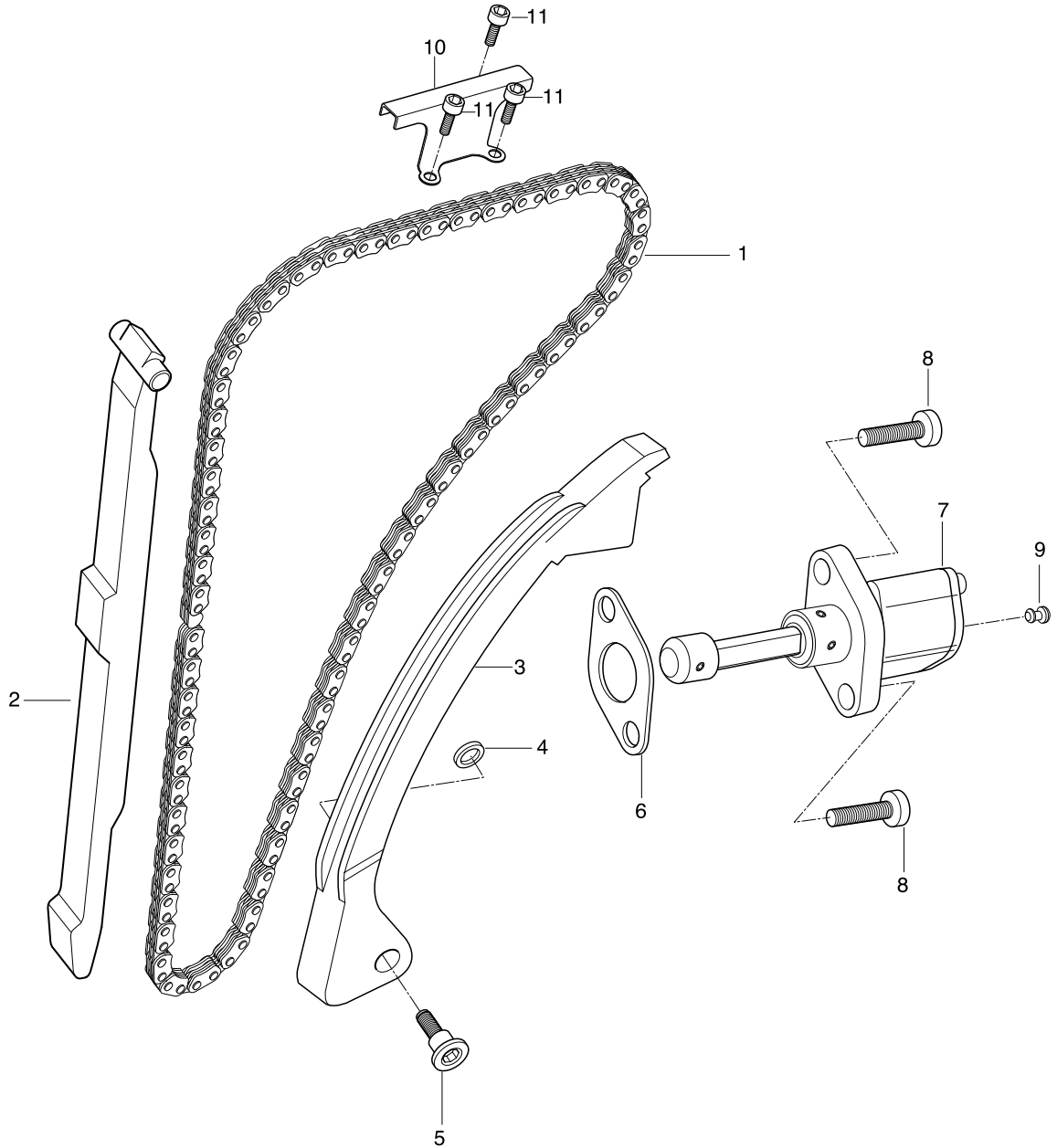


FIG 9. CAM CHAIN

REF. PART NO.	NUMBER.							PART NAME	Q`TY	REMARKS	REC.Q`TY (PCS)
NO.	DOMESTIC	NAT01	NAT02(25KW)	NEN01	NEU01(WVTA)	NEU02(WVTA 25K)	NG01	PUS01			
1	12760HN9100	12760HN9100	12760HN9100	12760HN9100	12760HN9100	12760HN9100	12760HN9100	12760HN9100	CHAIN COMP, camshaft drive	2	10
2	12771HN9100	12771HN9100	12771HN9100	12771HN9100	12771HN9100	12771HN9100	12771HN9100	12771HN9100	GUIDE, camchain NO.1	2	10
3	12811HN9100	12811HN9100	12811HN9100	12811HN9100	12811HN9100	12811HN9100	12811HN9100	12811HN9100	TENSIONER, camchain	2	10
4	08211-06181	08211-06181	08211-06181	08211-06181	08211-06181	08211-06181	08211-06181	08211-06181	WASHER, camchain tensioner bolt	2	10
5	12812H35C00	12812H35C00	12812H35C00	12812H35C00	12812H35C00	12812H35C00	12812H35C00	12812H35C00	BOLT, camchain tensioner	1	5
5-1	12812HN9101	12812HN9101	12812HN9101	12812HN9101	12812HN9101	12812HN9101	12812HN9101	12812HN9101	BOLT, camchain tensioner (magneto)	1	5
6	12837H31321	12837H31321	12837H31321	12837H31321	12837H31321	12837H31321	12837H31321	12837H31321	GASKET, tensioner adjuster	2	10
7	12830HN9102	12830HN9102	12830HN9102	12830HN9102	12830HN9102	12830HN9102	12830HN9102	12830HN9102	ADJUSTER ASS'Y, tensioner	2	10
8	07110-06208	07110-06208	07110-06208	07110-06208	07110-06208	07110-06208	07110-06208	07110-06208	BOLT, tensioner adjuster	4	30
9	12839-38200	12839-38200	12839-38200	12839-38200	12839-38200	12839-38200	12839-38200	12839-38200	PLUG, adjuster	2	10
10	12782HN9100	12782HN9100	12782HN9100	12782HN9100	12782HN9100	12782HN9100	12782HN9100	12782HN9100	GUIDE, camchain No.2	2	10
11	07110-06108	07110-06108	07110-06108	07110-06108	07110-06108	07110-06108	07110-06108	07110-06108	BOLT, camchain guide No.2	6	45

FIG 10

GT650 & GT650S

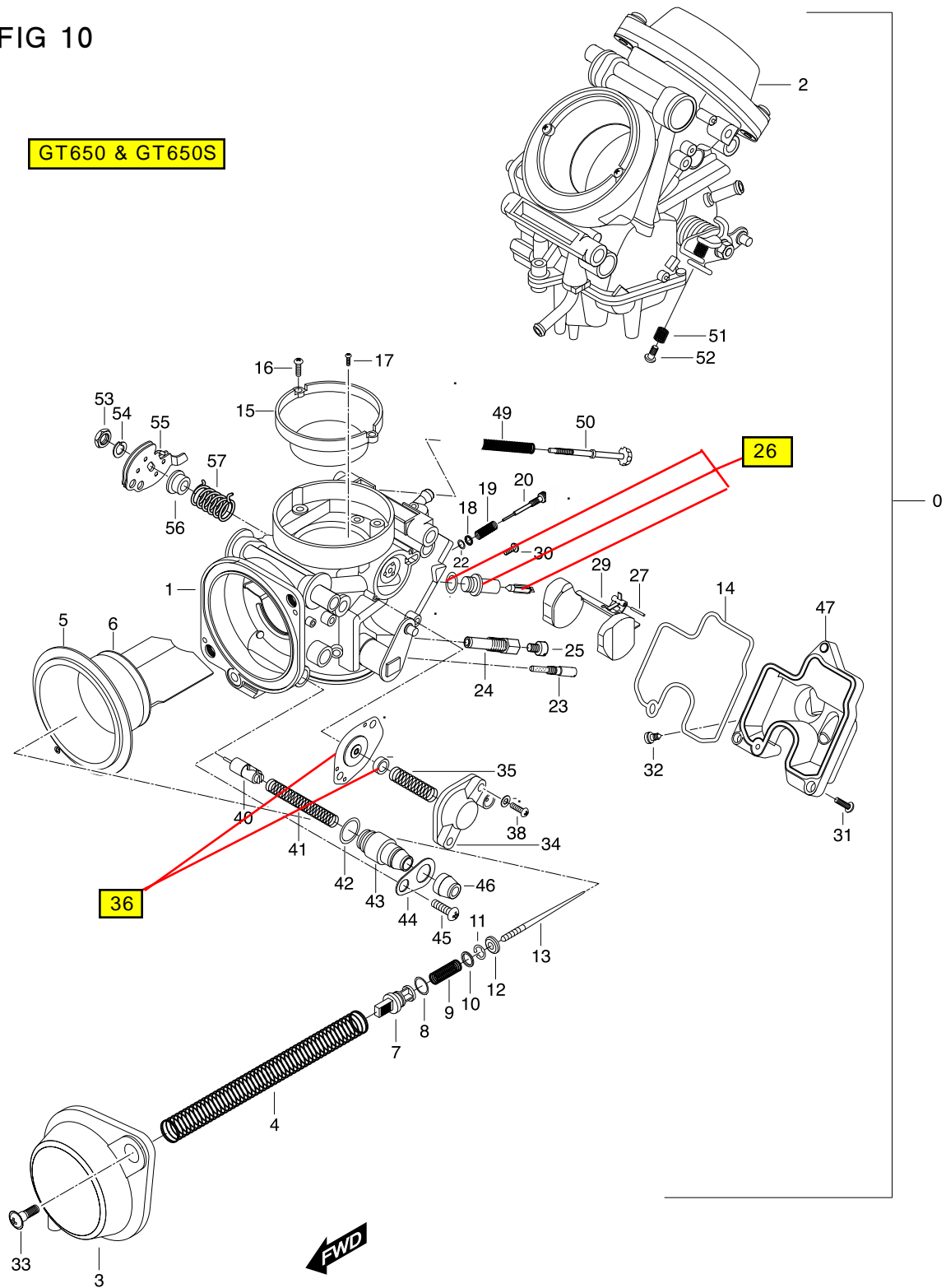


FIG 10. CARBURETOR ASSY

REF. PART NO.	NUMBER.								PART NAME	Q'TY	REMARKS	REC.Q'TY (PCS)
NO.	DOMESTIC	NAT01	NAT02(25KW)	NEN01	NEU01(WVTA)	NEU02(WVTA 25K)	NG01	PUS01				
	GT650S →	NA/PAT01	NA/PAT02	NEU02	PEU01/03	PEU02/04	PG/PF/PS01	PUS01				
0	13200HN9100	13200HN9100	13200HN9170	13200HN9100	13200HN9100	13200HN9170	13200HN9100	13200HN9100	CARBURATOR ASS'Y	1	5	
1	13301HN9100	13301HN9100	13301HN9100	13301HN9100	13301HN9100	13301HN9100	13301HN9100	13301HN9100	MIXING BODY ASSY	1		
2	13302HN9100	13302HN9100	13302HN9100	13302HN9100	13302HN9100	13302HN9100	13302HN9100	13302HN9100	MIXING BODY ASSY	1		
3	13310HN9100	13310HN9100	13310HN9100	13310HN9100	13310HN9100	13310HN9100	13310HN9100	13310HN9100	DIAPHRAGM COVER	2		
4	13311HN9100	13311HN9100	13311HN9100	13311HN9100	13311HN9100	13311HN9100	13311HN9100	13311HN9100	COMPRESSION SPRING	2		
5	13338HN9100	13338HN9100	13338HN9100	13338HN9100	13338HN9100	13338HN9100	13338HN9100	13338HN9100	DIAPHRAGM	2		
6	13551HN9100	13551HN9100	13551HN9150	13551HN9100	13551HN9100	13551HN9150	13551HN9100	13551HN9100	PISTON VALVE(25KW)	2		
7	13312HN9100	13312HN9100	13312HN9100	13312HN9100	13312HN9100	13312HN9100	13312HN9100	13312HN9100	HOLDER	2		
8	13313HN9100	13313HN9100	13313HN9100	13313HN9100	13313HN9100	13313HN9100	13313HN9100	13313HN9100	O-RING	2		
9	13314HN9100	13314HN9100	13314HN9100	13314HN9100	13314HN9100	13314HN9100	13314HN9100	13314HN9100	COMPRESSION SPRING	2		
10	13316HN9100	13316HN9100	13316HN9100	13316HN9100	13316HN9100	13316HN9100	13316HN9100	13316HN9100	WASHER	2		
11	13315HG5100	13315HG5100	13315HG5100	13315HG5100	13315HG5100	13315HG5100	13315HG5100	13315HG5100	E-RING	2		
12	13305HN9100	13305HN9100	13305HN9100	13305HN9100	13305HN9100	13305HN9100	13305HN9100	13305HN9100	RING	2		
13	13333HN9100	13333HN9100	13333HN9100	13333HN9100	13333HN9100	13333HN9100	13333HN9100	13333HN9100	JET NEEDLE(JN)	2		
14	13323HN9100	13323HN9100	13323HN9100	13323HN9100	13323HN9100	13323HN9100	13323HN9100	13323HN9100	O-RING	2		
15	13339HN9100	13339HN9100	13339HN9100	13339HN9100	13339HN9100	13339HN9100	13339HN9100	13339HN9100	FUNNER	2		
16	13320HN9100	13320HN9100	13320HN9100	13320HN9100	13320HN9100	13320HN9100	13320HN9100	13320HN9100	SCREW	4		
17	13364HN9100	13364HN9100	13364HN9100	13364HN9100	13364HN9100	13364HN9100	13364HN9100	13364HN9100	PILOT JET	2		
18	13309HG5100	13309HG5100	13309HG5100	13309HG5100	13309HG5100	13309HG5100	13309HG5100	13309HG5100	WASHER	2		
19	13307HN9100	13307HN9100	13307HN9100	13307HN9100	13307HN9100	13307HN9100	13307HN9100	13307HN9100	COMPRESSION SPRING	2		
20	13308HN9100	13308HN9100	13308HN9100	13308HN9100	13308HN9100	13308HN9100	13308HN9100	13308HN9100	ADJUSTER (PS)	2		
22	13306HG5100	13306HG5100	13306HG5100	13306HG5100	13306HG5100	13306HG5100	13306HG5100	13306HG5100	O-RING	2		
23	13365HN9100	13365HN9100	13365HN9100	13365HN9100	13365HN9100	13365HN9100	13365HN9100	13365HN9100	PILOT JET(PJ)	2		
24	13327HN9100	13327HN9100	13327HN9100	13327HN9100	13327HN9100	13327HN9100	13327HN9100	13327HN9100	JET HOLDER	2		
25	13324HN9100	13324HN9100	13324HN9100	13324HN9100	13324HN9100	13324HN9100	13324HN9100	13324HN9100	MAIN JET (MJ)	2		
26	13375HN9100	13375HN9100	13375HN9100	13375HN9100	13375HN9100	13375HN9100	13375HN9100	13375HN9100	NEEDLE VALVE ASSY(VS)	2		
27	13378HN9100	13378HN9100	13378HN9100	13378HN9100	13378HN9100	13378HN9100	13378HN9100	13378HN9100	PIN	2		
29	13379HN9100	13379HN9100	13379HN9100	13379HN9100	13379HN9100	13379HN9100	13379HN9100	13379HN9100	FLOAT ASS'Y	2		
30	13377HG5100	13377HG5100	13377HG5100	13377HG5100	13377HG5100	13377HG5100	13377HG5100	13377HG5100	SCREW	2		
31	13354HG5100	13354HG5100	13354HG5100	13354HG5100	13354HG5100	13354HG5100	13354HG5100	13354HG5100	SCREW	6		
32	13376HN9100	13376HN9100	13376HN9100	13376HN9100	13376HN9100	13376HN9100	13376HN9100	13376HN9100	SCREW(REST)	2		
33	13326HN9100	13326HN9100	13326HN9100	13326HN9100	13326HN9100	13326HN9100	13326HN9100	13326HN9100	SCREW(REST)	4		
34	13332HN9100	13332HN9100	13332HN9100	13332HN9100	13332HN9100	13332HN9100	13332HN9100	13332HN9100	COVER ASS,Y	2		
35	13334HN9100	13334HN9100	13334HN9100	13334HN9100	13334HN9100	13334HN9100	13334HN9100	13334HN9100	COMPRESSION SPRING	2		
36	13335HN9100	13335HN9100	13335HN9100	13335HN9100	13335HN9100	13335HN9100	13335HN9100	13335HN9100	DIAPHRAGM ASS'Y	2		
38	13336HN9100	13336HN9100	13336HN9100	13336HN9100	13336HN9100	13336HN9100	13336HN9100	13336HN9100	SCREW	4		
40	13369HN9100	13369HN9100	13369HN9100	13369HN9100	13369HN9100	13369HN9100	13369HN9100	13369HN9100	PLUNGER ASSY	2		

FIG 10

GT650 & GT650S

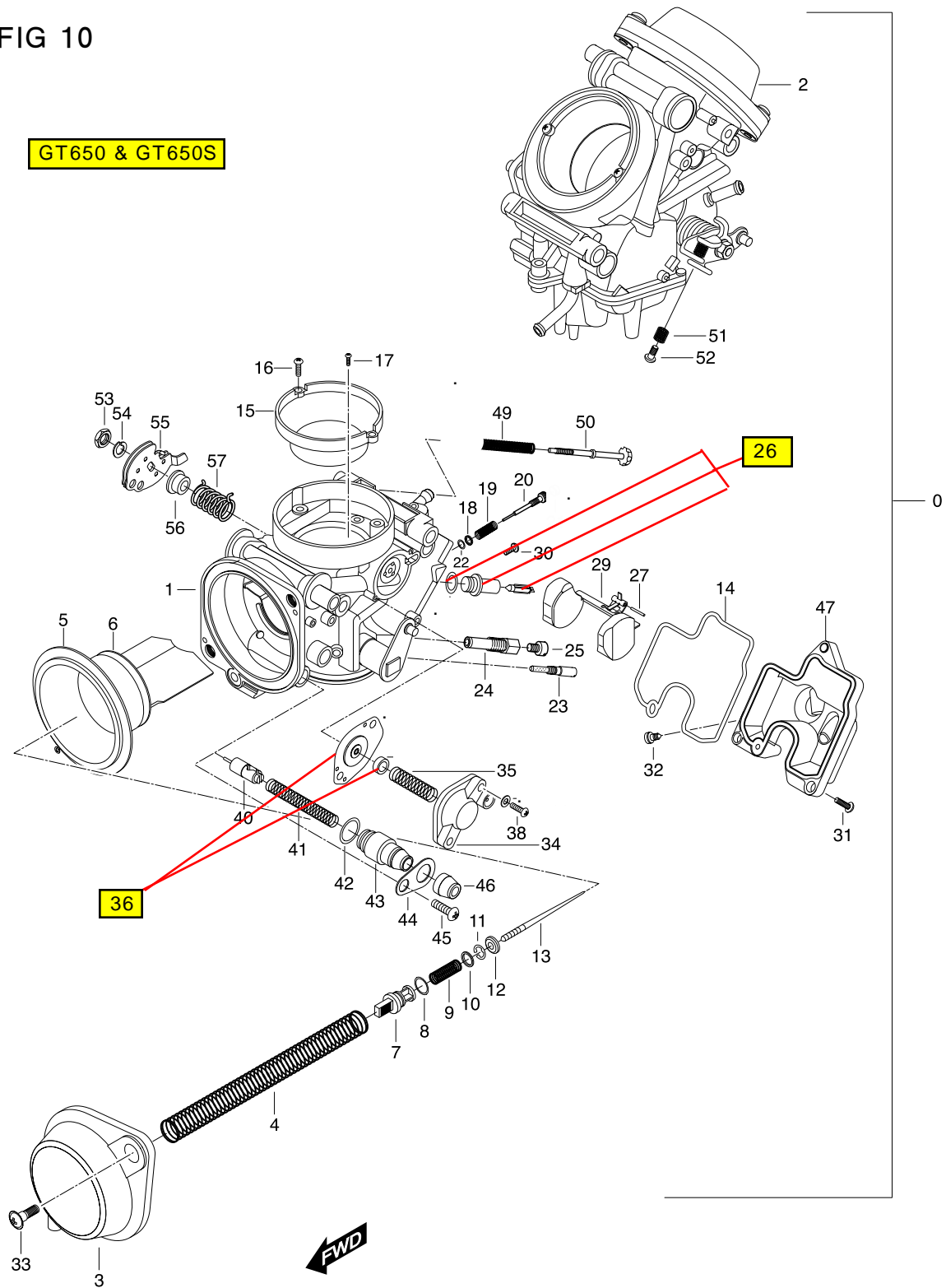


FIG 10. CARBURETOR ASSY

REF. PART NO.	NUMBER.								PART NAME	Q`TY	REMARKS	REC.Q'TY (PCS)
NO.	DOMESTIC	NAT01	NAT02(25KW)	NEN01	NEU01(WVTA)	NEU02(WVTA 25K)	NG01	PUS01				
	GT650S	NA/PAT01	NA/PAT02	NEU02	PEU01/03	PEU02/04	PG/PF/PS01	PUS01				
0	13200HN9100	13200HN9100	13200HN9170	13200HN9100	13200HN9100	13200HN9170	13200HN9100	13200HN9100	CARBURATOR ASS'Y	1		
41	13368HN9100	13368HN9100	13368HN9100	13368HN9100	13368HN9100	13368HN9100	13368HN9100	13368HN9100	COMPRESSION SPRING	2		
42	13370HN9100	13370HN9100	13370HN9100	13370HN9100	13370HN9100	13370HN9100	13370HN9100	13370HN9100	O-RING	2		
43	13367HN9100	13367HN9100	13367HN9100	13367HN9100	13367HN9100	13367HN9100	13367HN9100	13367HN9100	GUIDE HOLDER	2		
44	13337HN9100	13337HN9100	13337HN9100	13337HN9100	13337HN9100	13337HN9100	13337HN9100	13337HN9100	PLATE	2		
45	13374HN9100	13374HN9100	13374HN9100	13374HN9100	13374HN9100	13374HN9100	13374HN9100	13374HN9100	SCREW	2		
46	13366HN9100	13366HN9100	13366HN9100	13366HN9100	13366HN9100	13366HN9100	13366HN9100	13366HN9100	CAP	2		
47	13352HN9100	13352HN9100	13352HN9100	13352HN9100	13352HN9100	13352HN9100	13352HN9100	13352HN9100	FLOAT BODY	2		
49	13386HN9100	13386HN9100	13386HN9100	13386HN9100	13386HN9100	13386HN9100	13386HN9100	13386HN9100	COMPRESSION SPRING	2		
50	13351HN9100	13351HN9100	13351HN9100	13351HN9100	13351HN9100	13351HN9100	13351HN9100	13351HN9100	ADJUSTER	2		
51	13356HN9100	13356HN9100	13356HN9100	13356HN9100	13356HN9100	13356HN9100	13356HN9100	13356HN9100	COMPRESSION SPRING	2		
52	13373HG5100	13373HG5100	13373HG5100	13373HG5100	13373HG5100	13373HG5100	13373HG5100	13373HG5100	SCREW	2		
53	13342HG5100	13342HG5100	13342HG5100	13342HG5100	13342HG5100	13342HG5100	13342HG5100	13342HG5100	NUT	2		
54	13343HG5100	13343HG5100	13343HG5100	13343HG5100	13343HG5100	13343HG5100	13343HG5100	13343HG5100	SPRING WASHER	2		
55	13340HN9100	13340HN9100	13340HN9100	13340HN9100	13340HN9100	13340HN9100	13340HN9100	13340HN9100	THROTTLE LEVER ASS'Y	2		
56	13319HN9100	13319HN9100	13319HN9100	13319HN9100	13319HN9100	13319HN9100	13319HN9100	13319HN9100	RING	2		
57	13344HN9100	13344HN9100	13344HN9100	13344HN9100	13344HN9100	13344HN9100	13344HN9100	13344HN9100	TORSING SPRING	2		

FIG 11

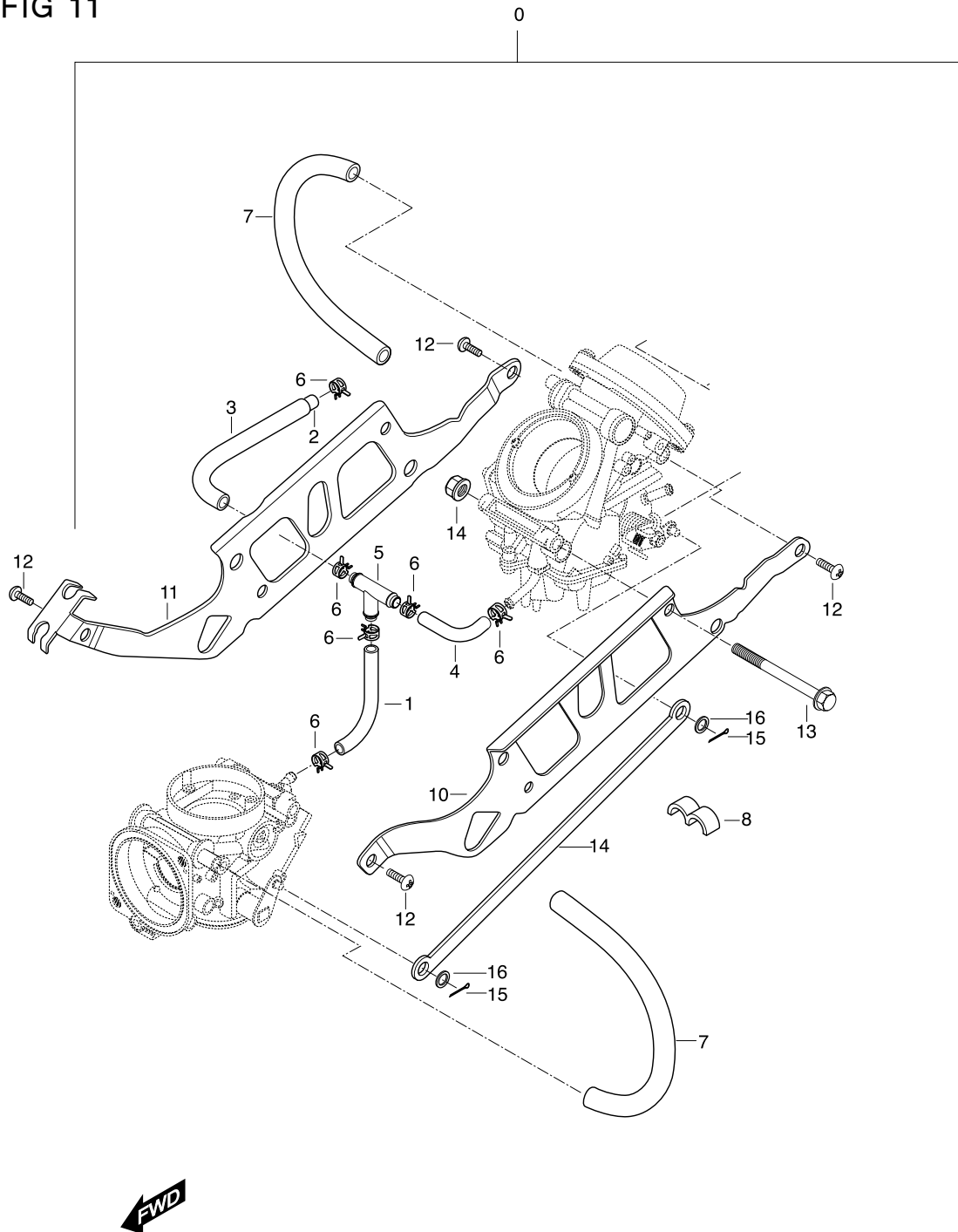


FIG 11. CARBURETOR FITTINGS

REF. PART NUMBER.									PART NAME	Q'TY	REMARKS	REC.Q'TY (PCS)
NO.	DOMESTIC	NAT01	NAT02(25KW)	NEN01	NEU01(WVTA)	NEU02(WVTA 25K)	NG01	PUS01				
1	13325HN9100	13325HN9100	13325HN9100	13325HN9100	13325HN9100	13325HN9100	13325HN9100	13325HN9100	HOSE			1
3	44199HM7900	44199HM7900	44199HM7900	44199HM7900	44199HM7900	44199HM7900	44199HM7900	44199HM7900	HOSE FUEL			1
4	13330HN9100	13330HN9100	13330HN9100	13330HN9100	13330HN9100	13330HN9100	13330HN9100	13330HN9100	HOSE			1
5	13360HG5100	13360HG5100	13360HG5100	13360HG5100	13360HG5100	13360HG5100	13360HG5100	13360HG5100	NIPPLE			1
6	13383HN9100	13383HN9100	13383HN9100	13383HN9100	13383HN9100	13383HN9100	13383HN9100	13383HN9100	CLIP			4
7	13329HN9100	13329HN9100	13329HN9100	13329HN9100	13329HN9100	13329HN9100	13329HN9100	13329HN9100	HOSE			2
8	13385HN9100	13385HN9100	13385HN9100	13385HN9100	13385HN9100	13385HN9100	13385HN9100	13385HN9100	CLIP			1
10	13328HN9100	13328HN9100	13328HN9100	13328HN9100	13328HN9100	13328HN9100	13328HN9100	13328HN9100	PLATE			1
11	13341HN9100	13341HN9100	13341HN9100	13341HN9100	13341HN9100	13341HN9100	13341HN9100	13341HN9100	PLATE			1
12	13384HN9100	13384HN9100	13384HN9100	13384HN9100	13384HN9100	13384HN9100	13384HN9100	13384HN9100	SCREW			4
13	13353HN9100	13353HN9100	13353HN9100	13353HN9100	13353HN9100	13353HN9100	13353HN9100	13353HN9100	BOLT			2
14	13348HN9100	13348HN9100	13348HN9100	13348HN9100	13348HN9100	13348HN9100	13348HN9100	13348HN9100	LEVER ASS'Y			1
15	13347HN9100	13347HN9100	13347HN9100	13347HN9100	13347HN9100	13347HN9100	13347HN9100	13347HN9100	PIN			2
16	13318HN9100	13318HN9100	13318HN9100	13318HN9100	13318HN9100	13318HN9100	13318HN9100	13318HN9100	WASHER			2

FIG 12

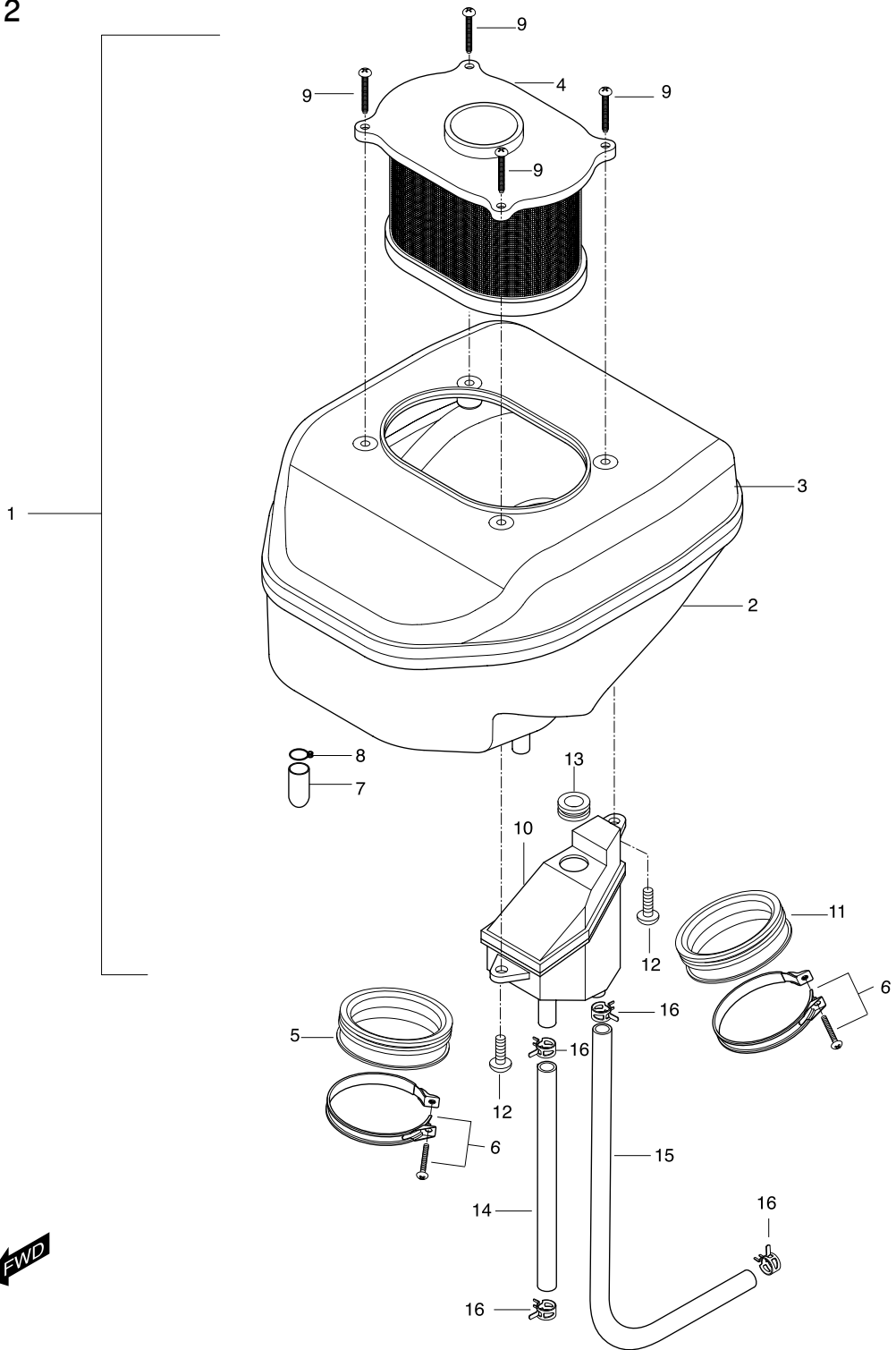


FIG 12. AIR CLEANER&CHAMBER

REF. PART NO.	NUMBER.	NAT01	NAT02(25KW)	NEN01	NEU01(WVTA)	NEU02(WVTA 25K)	NG01	PUS01	PART NAME	Q'TY	REMARKS	REC.Q'TY (PCS)
1	13700HN9103	13700HN9103	13700HN9103	13700HN9103	13700HN9103	13700HN9103	13700HN9103		CLEANER ASS'Y, air			5
1-1	13700HN9104	13700HN9104	13700HN9104	13700HN9104	13700HN9104	13700HN9104	13700HN9104		CLEANER ASS'Y, air	1		5
1-2								13700HN9160	CLEANER ASS'Y, air			
2	13720HN9102	13720HN9102	13720HN9102	13720HN9102	13720HN9102	13720HN9102	13720HN9102	13720HN9102	CASE, air cleaner	1	Not Sale	
3	13740HN9101	13740HN9101	13740HN9101	13740HN9101	13740HN9101	13740HN9101	13740HN9101	13740HN9101	CAP COMP, air cleaner	1	Not Sale	
4	13780HM8100	13780HM8100	13780HM8100	13780HM8100	13780HM8100	13780HM8100	13780HM8100	13780HM8100	FILTER COMP, air cleaner	1		5
5	13871HN9100	13871HN9100	13871HN9100	13871HN9100	13871HN9100	13871HN9100	13871HN9100	13871HN9100	TUBE, outlet front	1		
6	09402-56208	09402-56208	09402-56208	09402-56208	09402-56208	09402-56208	09402-56208	09402-56208	CLAMP, outlet tube	2		
7	13895HF4500	13895HF4500	13895HF4500	13895HF4500	13895HF4500	13895HF4500	13895HF4500	13895HF4500	PLUG, oil drain	1		
8	09401-14301	09401-14301	09401-14301	09401-14301	09401-14301	09401-14301	09401-14301	09401-14301	CLIP, oil drain plug	1		
9	02142-05165	02142-05165	02142-05165	02142-05165	02142-05165	02142-05165	02142-05165	02142-05165	SCREW, air cleaner filter	4		
10	16810HN9101	16810HN9101	16810HN9101	16810HN9101	16810HN9101	16810HN9101	16810HN9101	16810HN9101	TANK ASS'Y, breather oil return	1		
11	13881HN9100	13881HN9100	13881HN9100	13881HN9100	13881HN9100	13881HN9100	13881HN9100	13881HN9100	TUBE, outlet	1		
12	03241-05165	03241-05165	03241-05165	03241-05165	03241-05165	03241-05165	03241-05165	03241-05165	SCREW	2		
13	09320-12029	09320-12029	09320-12029	09320-12029	09320-12029	09320-12029	09320-12029	09320-12029	CUSHION, oil return tank	1		
14	16821HN9100	16821HN9100	16821HN9100	16821HN9100	16821HN9100	16821HN9100	16821HN9100	16821HN9100	HOSE, breather oil return No.1	1		5
15	16831HN9100	16831HN9100	16831HN9100	16831HN9100	16831HN9100	16831HN9100	16831HN9100	16831HN9100	HOSE, breather oil return No.2	1		5
16	09401H14401	09401H14401	09401H14401	09401H14401	09401H14401	09401H14401	09401H14401	09401H14401	CLAMP, breather oil return	4		

FIG 13

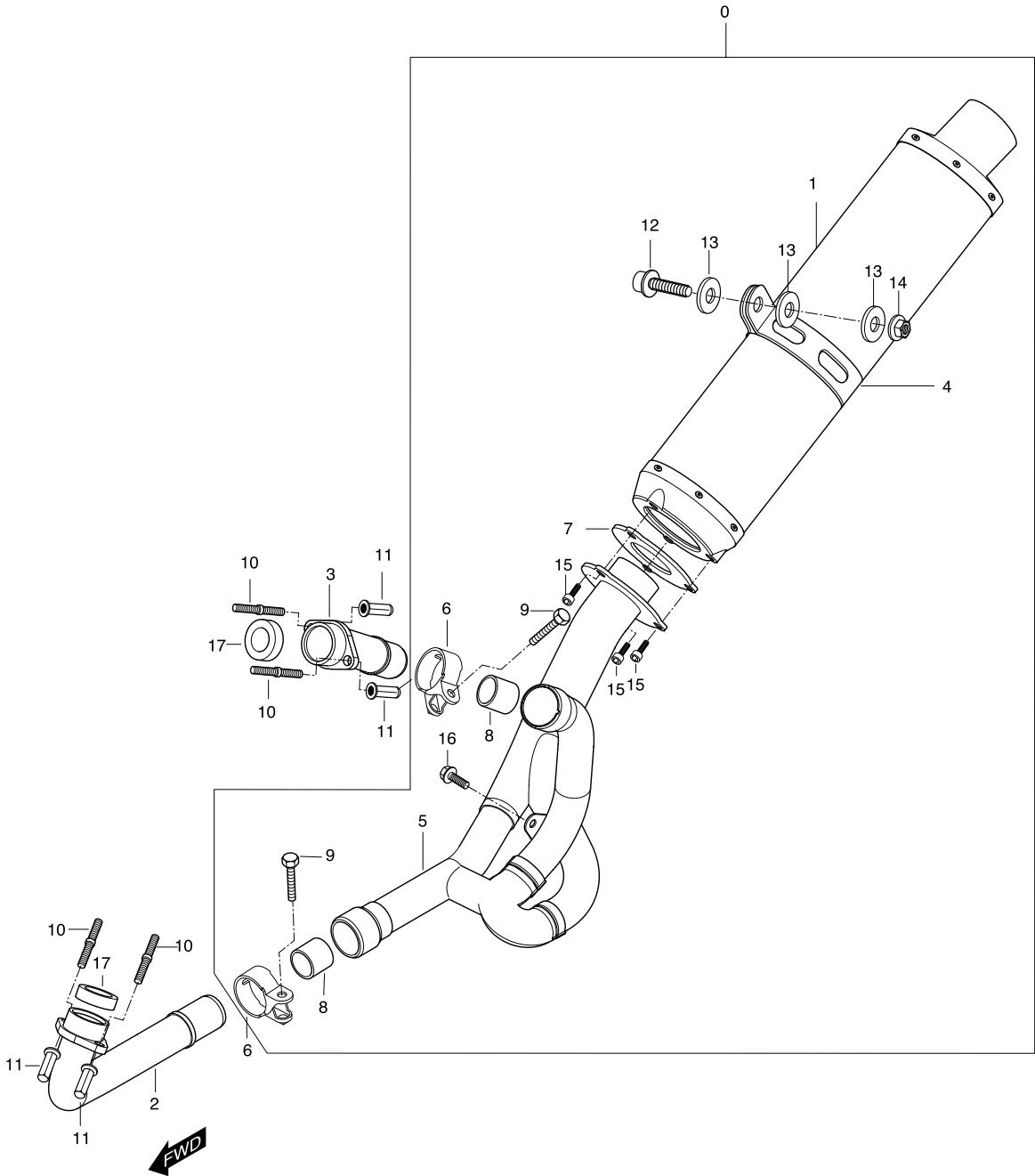


FIG 13. MUFFLER

REF. PART NO.	NUMBER.								PART NAME	Q'TY	REMARKS	REC.Q'TY (PCS)
NO.	DOMESTIC	NAT01	NAT02(25KW)	NEN01	NEU01(WVTA)	NEU02(WVTA 25K)	NG01	PUS01				
0	14305HN9130PLH	14305HN9105PLH	14305HN9105PLH	14305HN9105PLH	14305HN9105PLH	14305HN9105PLH	14305HN9105PLH	14305HN9130PLH	MUFFLER, ASS'Y	1		5
1	14310HN9131	14310HN9103	14310HN9103	14310HN9103	14310HN9103	14310HN9103	14310HN9103	14310HN9131	BODY COMP, muffler	1		5
2	14160HN91020BF	14160HN91020BF	14160HN91020BF	14160HN91020BF	14160HN91020BF	14160HN91020BF	14160HN91020BF	14160HN91020BF	PIPE COMP, exhaust front	1		5
3	14150HN91020BF	14150HN91020BF	14150HN91020BF	14150HN91020BF	14150HN91020BF	14150HN91020BF	14150HN91020BF	14150HN91020BF	PIPE COMP, exhaust rear	1		5
4	14411HN91030BF	14411HN91030BF	14411HN91030BF	14411HN91030BF	14411HN91030BF	14411HN91030BF	14411HN91030BF	14411HN91030BF	BRACKET, muffler support			5
4-1	14411HN91040BF	14411HN91040BF	14411HN91040BF	14411HN91040BF	14411HN91040BF	14411HN91040BF	14411HN91040BF	14411HN91040BF	BRACKET, muffler support	1		
5	14170HN91030BF	14170HN91030BF	14170HN91030BF	14170HN91030BF	14170HN91030BF	14170HN91030BF	14170HN91030BF	14170HN91030BF	PIPE COMP, muffler joint	1		5
6	14770HN91010BF	14770HN91010BF	14770HN91010BF	14770HN91010BF	14770HN91010BF	14770HN91010BF	14770HN91010BF	14770HN91010BF	CONNECTOR COMP, exhaust pipe	2		10
7	14314HN9101	14314HN9101	14314HN9101	14314HN9101	14314HN9101	14314HN9101	14314HN9101	14314HN9101	GASKET, connector flange	1		5
8	14773HN9100	14773HN9100	14773HN9100	14773HN9100	14773HN9100	14773HN9100	14773HN9100	14773HN9100	GASKET, connector exhaust pipe	2		10
9	01517-08358	01517-08358	01517-08358	01517-08358	01517-08358	01517-08358	01517-08358	01517-08358	BOLT, exhaust pipe connector comp	2		
10	01421-08258	01421-08258	01421-08258	01421-08258	01421-08258	01421-08258	01421-08258	01421-08258	BOLT, exhaust pipe stud	4		
11	09143H08001	09143H08001	09143H08001	09143H08001	09143H08001	09143H08001	09143H08001	09143H08001	NUT, exhaust pipe	4		20
12	07110-08408	07110-08408	07110-08408	07110-08408	07110-08408	07110-08408	07110-08408	07110-08408	BOLT, muffler support	1		
13	09160-10102	09160-10102	09160-10102	09160-10102	09160-10102	09160-10102	09160-10102	09160-10102	WASHER, muffler support	3		15
14	08316-26108	08316-26108	08316-26108	08316-26108	08316-26108	08316-26108	08316-26108	08316-26108	NUT, muffler support	1		5
15	07120-08208	07120-08208	07120-08208	07120-08208	07120-08208	07120-08208	07120-08208	07120-08208	BOLT, connector flange	3		15
16	01517-08168	01517-08168	01517-08168	01517-08168	01517-08168	01517-08168	01517-08168	01517-08168	BOLT, muffler chamber bracket	1		
17	14181HN9101	14181HN9101	14181HN9101	14181HN9101	14181HN9101	14181HN9101	14181HN9101	14181HN9101	GASKET, exhaust	2		10
18	14186HN91000BF	14186HN91000BF	14186HN91000BF	14186HN91000BF	14186HN91000BF	14186HN91000BF	14186HN91000BF	14186HN91000BF	COV ASS'Y,exhaust pipe	1		5
19	14776HN9100	14776HN9100	14776HN9100	14776HN9100	14776HN9100	14776HN9100	14776HN9100	14776HN9100	CLAMP,out muff no1	1		5
20	14778HN9100	14778HN9100	14778HN9100	14778HN9100	14778HN9100	14778HN9100	14778HN9100	14778HN9100	CLAMP,out muff no2	1		5
21	07110-06308	07110-06308	07110-06308	07110-06308	07110-06308	07110-06308	07110-06308	07110-06308	BOLT,exhaust pipe cov	2		10

FIG 14

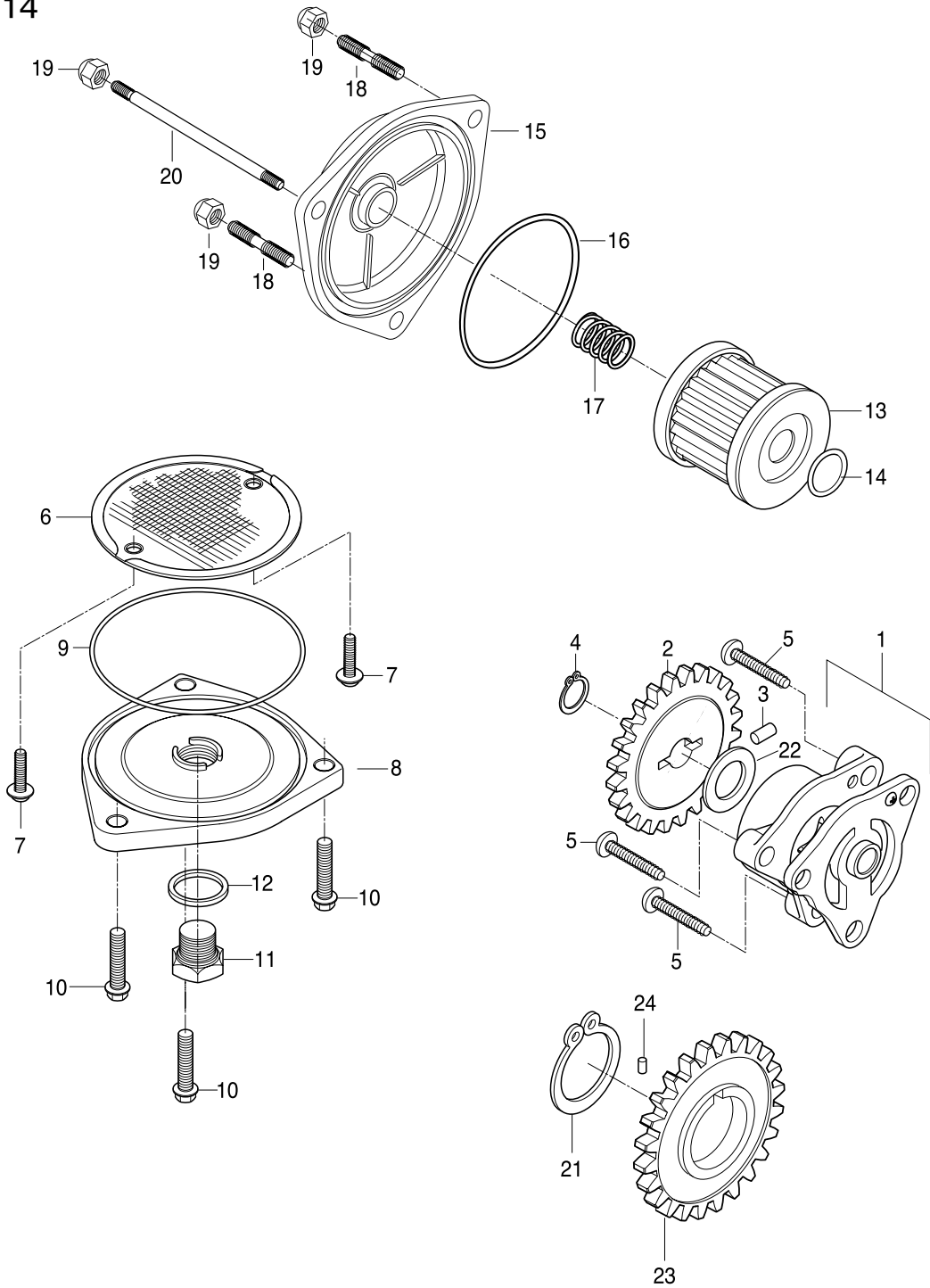


FIG 14. OIL PUMP

REF. PART NUMBER.									PART NAME	Q'TY	REMARKS	REC.Q'TY
NO.	DOMESTIC	NAT01	NAT02(25KW)	NEN01	NEU01(WVTA)	NEU02(WVTA 25K)	NG01	PUS01				(PCS)
1	16400HN9101	16400HN9101	16400HN9101	16400HN9101	16400HN9101	16400HN9101	16400HN9101	16400HN9101	PUMP ASS'Y, oil	1		5
2	16331HN9101	16331HN9101	16331HN9101	16331HN9101	16331HN9101	16331HN9101	16331HN9101	16331HN9101	GEAR, oil pump driven	1		5
3	09261H06001	09261H06001	09261H06001	09261H06001	09261H06001	09261H06001	09261H06001	09261H06001	PIN, oil pump driven gear	1		5
4	08331-31389	08331-31389	08331-31389	08331-31389	08331-31389	08331-31389	08331-31389	08331-31389	CIRCLIP, oil pump driven gear	1		5
5	02112-06258	02112-06258	02112-06258	02112-06258	02112-06258	02112-06258	02112-06258	02112-06258	SCREW, oil pump	3		15
6	16520HN9100	16520HN9100	16520HN9100	16520HN9100	16520HN9100	16520HN9100	16520HN9100	16520HN9100	STRAINER COMP, engine oil	1		5
7	02112-95126	02112-95126	02112-95126	02112-95126	02112-95126	02112-95126	02112-95126	02112-95126	SCREW, engine oil strainer	2		
8	16523HN9100	16523HN9100	16523HN9100	16523HN9100	16523HN9100	16523HN9100	16523HN9100	16523HN9100	CAP, oil strainer	1		5
9	09280H82001	09280H82001	09280H82001	09280H82001	09280H82001	09280H82001	09280H82001	09280H82001	O-RING, oil strainer cap	1		5
10	01547-06208	01547-06208	01547-06208	01547-06208	01547-06208	01547-06208	01547-06208	01547-06208	BOLT, oil strainer cap	3		35
11	09247-14002	09247-14002	09247-14002	09247-14002	09247-14002	09247-14002	09247-14002	09247-14002	PLUG, oil drain	1		5
12	09168H14003	09168H14003	09168H14003	09168H14003	09168H14003	09168H14003	09168H14003	09168H14003	GASKET, drain plug	1		
13	16510HN9101	16510HN9101	16510HN9101	16510HN9101	16510HN9101	16510HN9101	16510HN9101	16510HN9101	FILTER COMP, engine oil	1		5
14	09280H16001	09280H16001	09280H16001	09280H16001	09280H16001	09280H16001	09280H16001	09280H16001	O-RING, oil filter	1		5
15	16512HN91010S1	16512HN91010S1	16512HN91010S1	16512HN91010S1	16512HN91010S1	16512HN91010S1	16512HN91010S1	16512HN91010S1	CAP, oil filter	1		5
16	09280H69001	09280H69001	09280H69001	09280H69001	09280H69001	09280H69001	09280H69001	09280H69001	O-RING, oil filter cap	1		5
17	09440H18001	09440H18001	09440H18001	09440H18001	09440H18001	09440H18001	09440H18001	09440H18001	SPRING, oil filter cap	1		5
18	01421-06128	01421-06128	01421-06128	01421-06128	01421-06128	01421-06128	01421-06128	01421-06128	BOLT, oil filter cap stud	2		10
19	08313-11068	08313-11068	08313-11068	08313-11068	08313-11068	08313-11068	08313-11068	08313-11068	NUT, oil filter cap	3		
20	01421-06758	01421-06758	01421-06758	01421-06758	01421-06758	01421-06758	01421-06758	01421-06758	BOLT, oil filter cap stud	1		5
21	08331-31109	08331-31109	08331-31109	08331-31109	08331-31109	08331-31109	08331-31109	08331-31109	CIRCLIP, oil pump drive gear	1		10
22	08221-10185	08221-10185	08221-10185	08221-10185	08221-10185	08221-10185	08221-10185	08221-10185	SHIM, oil pump driven gear	1		10
23	16321HN9103	16321HN9103	16321HN9103	16321HN9103	16321HN9103	16321HN9103	16321HN9103	16321HN9103	GEAR, oil pump drive	1		5
24	09261H06001	09261H06001	09261H06001	09261H06001	09261H06001	09261H06001	09261H06001	09261H06001	PIN, oil pump drive gear	1		

FIG 15

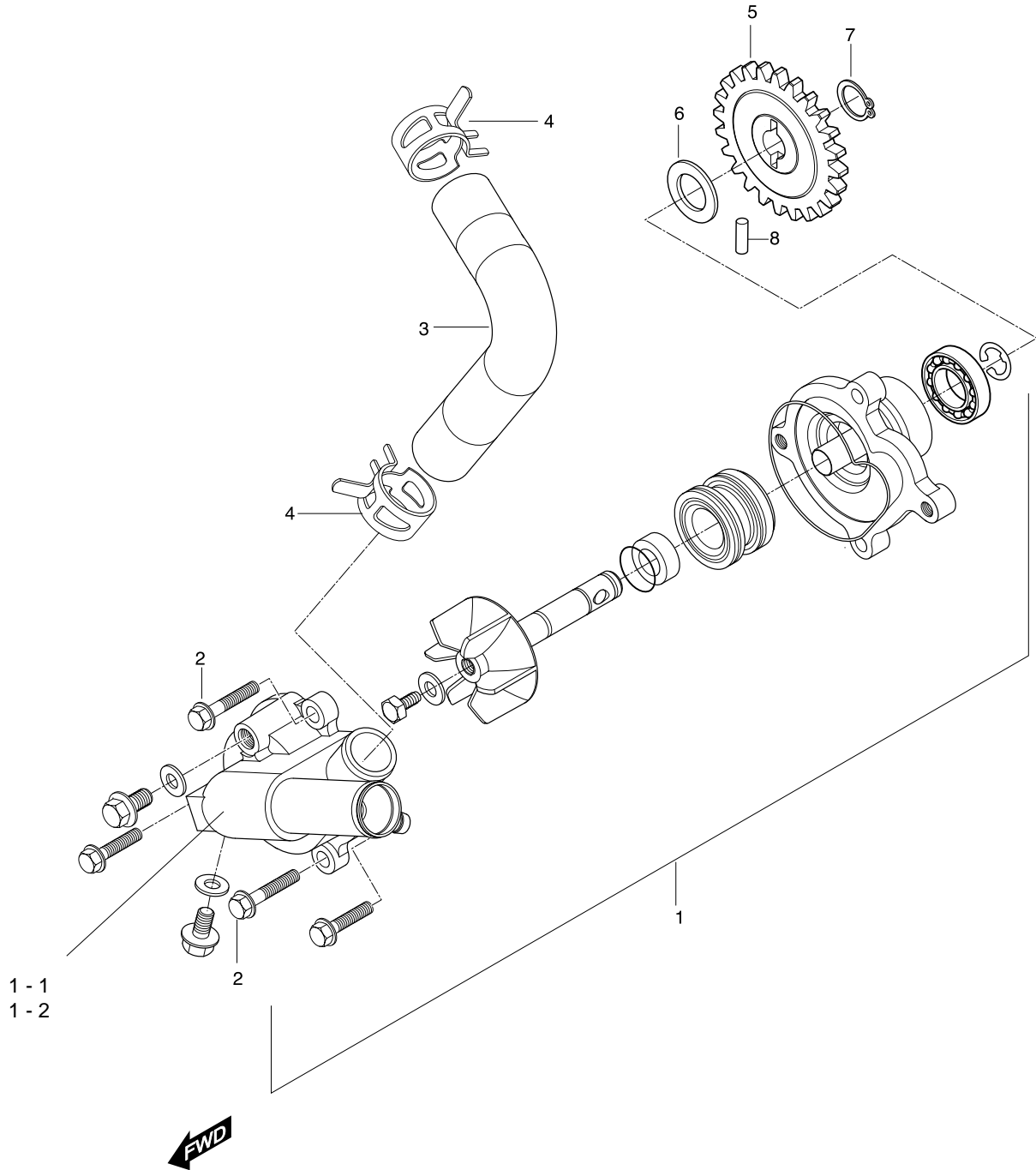


FIG 15. WATER PUMP

REF. PART NUMBER.									PART NAME	Q`TY	REMARKS	REC.Q`TY
NO.	DOMESTIC	NAT01	NAT02(25KW)	NEN01	NEU01(WVTA)	NEU02(WVTA 25K)	NG01	PUS01				(PCS)
1	17400HN9101	17400HN9101	17400HN9101	17400HN9101	17400HN9101	17400HN9101	17400HN9101	17400HN9101	PUMP ASS`Y, water	1		5
1-1	17410HN9100	17410HN9100	17410HN9100	17410HN9100	17410HN9100	17410HN9100	17410HN9100	17410HN9100	CASE COMP,WATER PUMP			
1-2	17433HN9100	17433HN9100	17433HN9100	17433HN9100	17433HN9100	17433HN9100	17433HN9100	17433HN9100	O-RING,WATER PUMP			
2	01547-06308	01547-06308	01547-06308	01547-06308	01547-06308	01547-06308	01547-06308	01547-06308	BOLT, water pump	2		
3	17491HN9100	17491HN9100	17491HN9100	17491HN9100	17491HN9100	17491HN9100	17491HN9100	17491HN9100	HOSE, water pump outlet	1		5
4	09401H26402	09401H26402	09401H26402	09401H26402	09401H26402	09401H26402	09401H26402	09401H26402	CLAMP, water pump hose	2		35
5	17521HN9102	17521HN9102	17521HN9102	17521HN9102	17521HN9102	17521HN9102	17521HN9102	17521HN9102	GEAR, water pump driven	1		5
6	08221-10185	08221-10185	08221-10185	08221-10185	08221-10185	08221-10185	08221-10185	08221-10185	SHIM, water pump driven gear	1		
7	08331-31109	08331-31109	08331-31109	08331-31109	08331-31109	08331-31109	08331-31109	08331-31109	CIRCLIP, water pump driven gear	1		
8	09261H04001	09261H04001	09261H04001	09261H04001	09261H04001	09261H04001	09261H04001	09261H04001	PIN, water pump driven gear	1		10

FIG 16

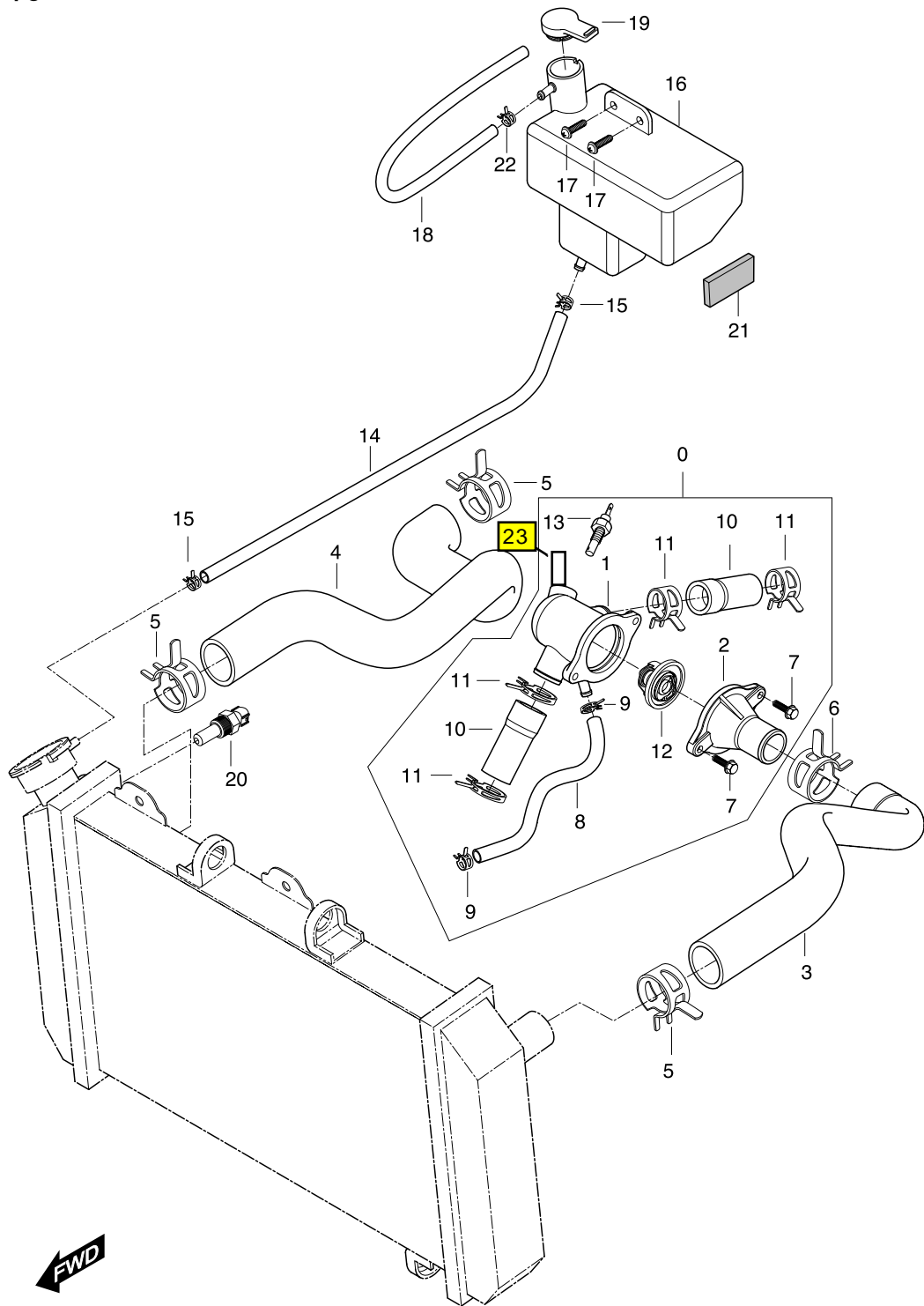


FIG 16. RADIATOR HOSE

REF. PART NO.	NUMBER.	NAT01	NAT02(25KW)	NEN01	NEU01(WVTA)	NEU02(WVTA 25K)	NG01	PUS01	PART NAME	Q`TY	REMARKS	REC.Q`TY (PCS)
0	17610HN9100HPA	17610HN9100HPA	17610HN9100HPA	17610HN9100HPA	17610HN9100HPA	17610HN9100HPA	17610HN9100HPA	17610HN9100HPA	THERMOSTAT COMP	1		
1	17621SN9102HPA	17621SN9102HPA	17621SN9102HPA	17621SN9102HPA	17621SN9102HPA	17621SN9102HPA	17621SN9102HPA	17621SN9102HPA	CONNECTOR COMP, thermostat inl	1		
2	17631HN91000S1	17631HN91000S1	17631HN91000S1	17631HN91000S1	17631HN91000S1	17631HN91000S1	17631HN91000S1	17631HN91000S1	CAP, thermostat connector	1		
3	17741HN9101	17741HN9101	17741HN9101	17741HN9101	17741HN9101	17741HN9101	17741HN9101	17741HN9101	HOSE, radiator inlet	1		5
4	17751HN9101	17751HN9101	17751HN9101	17751HN9101	17751HN9101	17751HN9101	17751HN9101	17751HN9101	HOSE, radiator outlet	1		5
5	09401H26402	09401H26402	09401H26402	09401H26402	09401H26402	09401H26402	09401H26402	09401H26402	CLAMP, radiator inlet hose radiator s	3		
6	09401H31402	09401H31402	09401H31402	09401H31402	09401H31402	09401H31402	09401H31402	09401H31402	CLAMP, radiator inlet hose thermost	1		5
7	01547-06208	01547-06208	01547-06208	01547-06208	01547-06208	01547-06208	01547-06208	01547-06208	BOLT, thermostat connector	2		
8	17641HN9100	17641HN9100	17641HN9100	17641HN9100	17641HN9100	17641HN9100	17641HN9100	17641HN9100	HOSE, thermostat bypass	1		
9	09401H13401	09401H13401	09401H13401	09401H13401	09401H13401	09401H13401	09401H13401	09401H13401	CLAMP, thermostat bypass hose	2		
10	17661HN9100	17661HN9100	17661HN9100	17661HN9100	17661HN9100	17661HN9100	17661HN9100	17661HN9100	HOSE, connector inlet	2		
11	09401H24402	09401H24402	09401H24402	09401H24402	09401H24402	09401H24402	09401H24402	09401H24402	CLAMP, connector inlet hose	4		
12	17610HN9100	17610HN9100	17610HN9100	17610HN9100	17610HN9100	17610HN9100	17610HN9100	17610HN9100	THERMOSTAT COMP	1		5
13	17650HN9100	17650HN9100	17650HN9100	17650HN9100	17650HN9100	17650HN9100	17650HN9100	17650HN9100	GAUGE UNIT, water temperature	1		
14	17981HN9100	17981HN9100	17981HN9100	17981HN9100	17981HN9100	17981HN9100	17981HN9100	17981HN9100	HOSE, reserver tank inlet	1		5
15	09401H11402	09401H11402	09401H11402	09401H11402	09401H11402	09401H11402	09401H11402	09401H11402	CLAMP, reserver tank		~KM4MP51A251103095~	10
15-1	09401H11403	09401H11403	09401H11403	09401H11403	09401H11403	09401H11403	09401H11403	09401H11403	CLAMP, reserver tank	2	KM4MP51A251103095~	
16	17911HN9104	17911HN9104	17911HN9104	17911HN9104	17911HN9104	17911HN9104	17911HN9104	17911HN9104	TANK COMP, reserver	1		5
17	09136-06017	09136-06017	09136-06017	09136-06017	09136-06017	09136-06017	09136-06017	09136-06017	SCREW, reserver tank	2		15
18	17982HN9100	17982HN9100	17982HN9100	17982HN9100	17982HN9100	17982HN9100	17982HN9100	17982HN9100	HOSE, reserver tank overflow	1		5
19	17921HN9100	17921HN9100	17921HN9100	17921HN9100	17921HN9100	17921HN9100	17921HN9100	17921HN9100	CAP, reserver tank	1		
20	17860HN9100	17860HN9100	17860HN9100	17860HN9100	17860HN9100	17860HN9100	17860HN9100	17860HN9100	SWITCH ASS`Y, thermo	1		5
21	17912HN9100	17912HN9100	17912HN9100	17912HN9100	17912HN9100	17912HN9100	17912HN9100	17912HN9100	CUSHION, reserver tank	1		5
22	09401-09101	09401-09101	09401-09101	09401-09101	09401-09101	09401-09101	09401-09101	09401-09101	CAP, reserver tank overflow	1		
23	17622HN9101	17622HN9101	17622HN9101	17622HN9101	17622HN9101	17622HN9101	17622HN9101	17622HN9101	UNION,thermost connector	1		

FIG 17

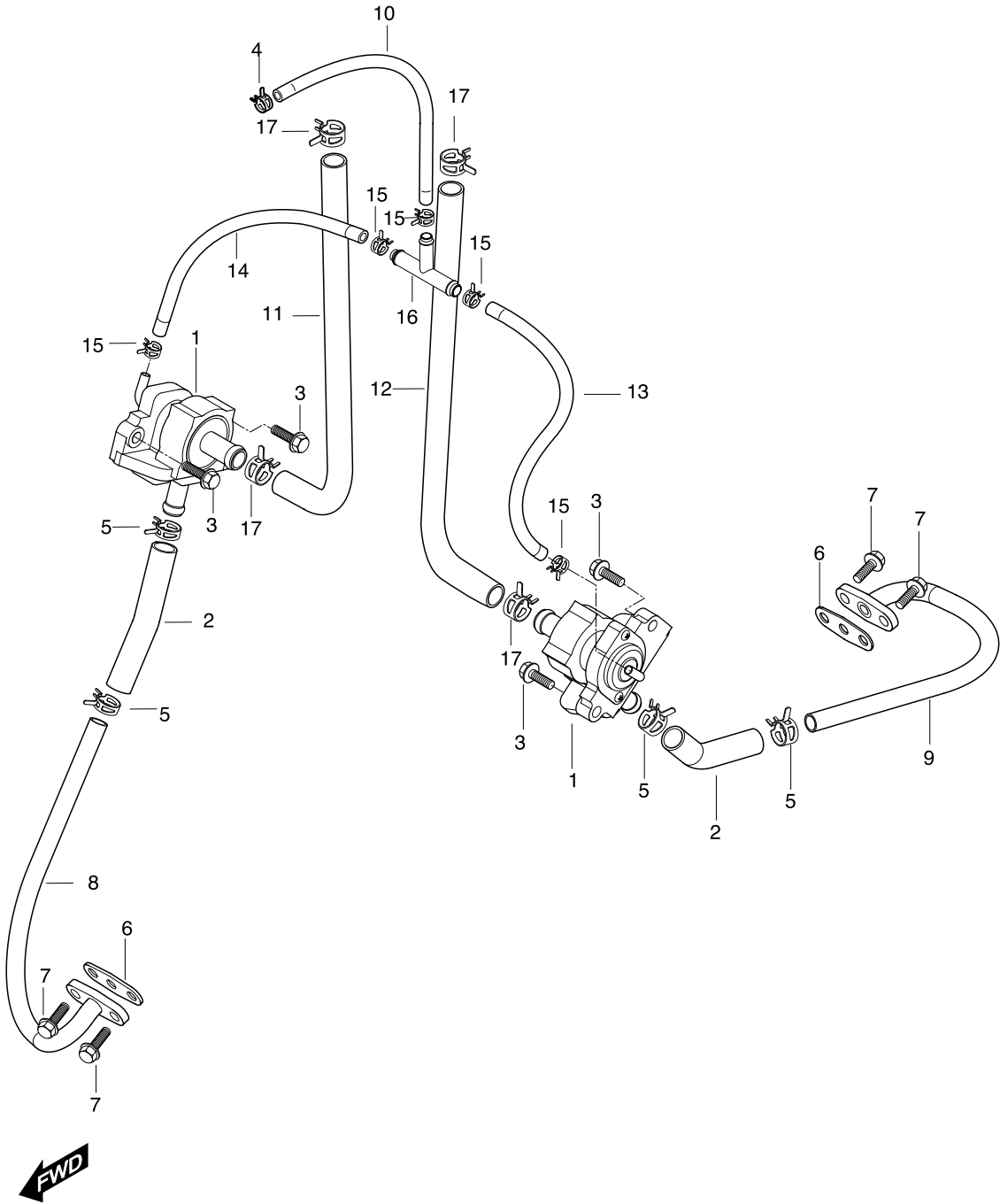


FIG 17. 2ND AIR

REF. PART NO.	NUMBER.							PART NAME	Q`TY	REMARKS	REC.Q`TY (PCS)
NO.	DOMESTIC	NAT01	NAT02(25KW)	NEN01	NEU01(WVTA)	NEU02(WVTA 25K)	NG01	PUS01			
1	18500HN9100	18500HN9100	18500HN9100	18500HN9100	18500HN9100	18500HN9100	18500HN9100	18500HN9100	VALVE ASS'Y, 2ND air	2	10
2	18631HN9101	18631HN9101	18631HN9101	18631HN9101	18631HN9101	18631HN9101	18631HN9101	18631HN9101	HOSE, 2ND air pipe	2	10
3	01547-06208	01547-06208	01547-06208	01547-06208	01547-06208	01547-06208	01547-06208	01547-06208	BOLT, 2ND air valve	4	
4	09401H09401	09401H09401	09401H09401	09401H09401	09401H09401	09401H09401	09401H09401	09401H09401	CLAMP, carburetor vacuum hose	1	5
5	09401H13401	09401H13401	09401H13401	09401H13401	09401H13401	09401H13401	09401H13401	09401H13401	CLAMP, 2ND air pipe	4	20
6	18615HN9101	18615HN9101	18615HN9101	18615HN9101	18615HN9101	18615HN9101	18615HN9101	18615HN9101	GASKET, 2ND air pipe	2	10
7	01107-06168	01107-06168	01107-06168	01107-06168	01107-06168	01107-06168	01107-06168	01107-06168	BOLT, 2ND air pipe	4	
8	18610HN9101	18610HN9101	18610HN9101	18610HN9101	18610HN9101	18610HN9101	18610HN9101	18610HN9101	PIPE COMP, 2ND air front	1	5
9	18620HN9101	18620HN9101	18620HN9101	18620HN9101	18620HN9101	18620HN9101	18620HN9101	18620HN9101	PIPE COMP, 2ND air rear	1	5
10	18691HN9100	18691HN9100	18691HN9100	18691HN9100	18691HN9100	18691HN9100	18691HN9100	18691HN9100	HOSE, carburetor vacuum front	1	5
11	18651HN9101	18651HN9101	18651HN9101	18651HN9101	18651HN9101	18651HN9101	18651HN9101	18651HN9101	HOSE, 2ND air cleaner RH	1	5
12	18661HN9100	18661HN9100	18661HN9100	18661HN9100	18661HN9100	18661HN9100	18661HN9100	18661HN9100	HOSE, 2ND air cleaner LH	1	5
13	18681HN9100	18681HN9100	18681HN9100	18681HN9100	18681HN9100	18681HN9100	18681HN9100	18681HN9100	HOSE, 2ND vacuum LH	1	5
14	18671HN9100	18671HN9100	18671HN9100	18671HN9100	18671HN9100	18671HN9100	18671HN9100	18671HN9100	HOSE, 2ND vacuum RH	1	5
15	09401H08401	09401H08401	09401H08401	09401H08401	09401H08401	09401H08401	09401H08401	09401H08401	CLAMP, 2ND vacuum hose	5	25
16	09367H05001	09367H05001	09367H05001	09367H05001	09367H05001	09367H05001	09367H05001	09367H05001	NIPPLE, fuel pump joint	1	5
17	09401H14401	09401H14401	09401H14401	09401H14401	09401H14401	09401H14401	09401H14401	09401H14401	CLAMP, 2ND air cleaner hose	4	40

FIG 18

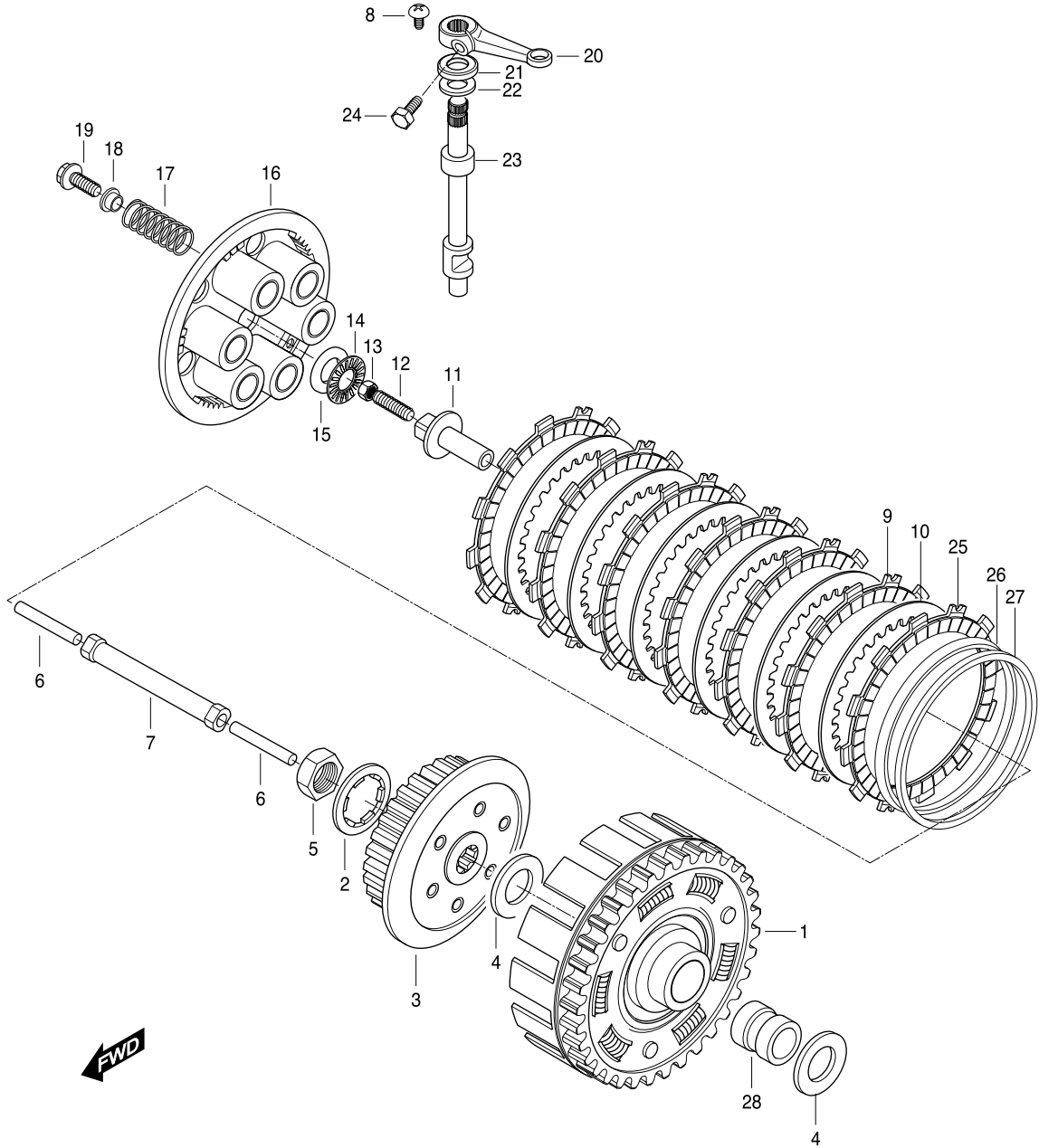


FIG 18. CLUTCH ASSY

REF. PART NO.	NUMBER.	NAT01	NAT02(25KW)	NEN01	NEU01(WVTA)	NEU02(WVTA 25K)	NG01	PUS01	PART NAME	Q`TY	REMARKS	REC.Q'TY (PCS)
1	21210HN9101HPA	21210HN9101HPA	21210HN9101HPA	21210HN9101HPA	21210HN9101HPA	21210HN9101HPA	21210HN9101HPA	21210HN9101HPA	GEAR COMP, primary driven	1		5
2	09167H20001	09167H20001	09167H20001	09167H20001	09167H20001	09167H20001	09167H20001	09167H20001	WASHER, clutch sleeve hub thrust	1		5
3	21411HN9101	21411HN9101	21411HN9101	21411HN9101	21411HN9101	21411HN9101	21411HN9101	21411HN9101	HUB, clutch sleeve		~KM4MP51A841100117	5
3~1	21411HN9102	21411HN9102		21411HN9102	21411HN9102	21411HN9102	21411HN9102	21411HN9102	HUB, clutch sleeve	1	KM4MP51A841100118~	
4	09160H20002	09160H20002	09160H20002	09160H20002	09160H20002	09160H20002	09160H20002	09160H20002	WASHER, primary driven gear thrust	1		
5	09140H20001	09140H20001	09140H20001	09140H20001	09140H20001	09140H20001	09140H20001	09140H20001	NUT, clutch sleeve hub	1		5
6	23114HN9100	23114HN9100	23114HN9100	23114HN9100	23114HN9100	23114HN9100	23114HN9100	23114HN9100	ROD, clutch push	1		5
6-1	23115HN9100	23115HN9100	23115HN9100	23115HN9100	23115HN9100	23115HN9100	23115HN9100	23115HN9100	ROD,CLUTCH PUSH NO.2	1		5
7	23110HN9102	23110HN9102	23110HN9102	23110HN9102	23110HN9102	23110HN9102	23110HN9102	23110HN9102	ROD COMP, clutch push M	1		5
8	09136-06017	09136-06017	09136-06017	09136-06017	09136-06017	09136-06017	09136-06017	09136-06017	STOPPER, clutch release camshaft oi	1		
9	21441HN9100	21441HN9100	21441HN9100	21441HN9100	21441HN9100	21441HN9100	21441HN9100	21441HN9100	PLATE, clutch drive	6		30
10	21451HN9100	21451HN9100	21451HN9100	21451HN9100	21451HN9100	21451HN9100	21451HN9100	21451HN9100	PLATE, clutch driven	6		30
11	23121-38201	23121-38201	23121-38201	23121-38201	23121-38201	23121-38201	23121-38201	23121-38201	PIECE, clutch push	1		5
12	09134-06010	09134-06010	09134-06010	09134-06010	09134-06010	09134-06010	09134-06010	09134-06010	SCREW, clutch release adjuster	1		5
13	08310-22068	08310-22068	08310-22068	08310-22068	08310-22068	08310-22068	08310-22068	08310-22068	NUT, clutch release adjust	1		5
14	09263H15001	09263H15001	09263H15001	09263H15001	09263H15001	09263H15001	09263H15001	09263H15001	BEARING, clutch release thrust	1		5
15	09160-15015	09160-15015	09160-15015	09160-15015	09160-15015	09160-15015	09160-15015	09160-15015	WASHER, clutch release thrust	1		5
16	21462HN9101	21462HN9101	21462HN9101	21462HN9101	21462HN9101	21462HN9101	21462HN9101	21462HN9101	DISK, clutch pressure	1		5
17	09440H20003	09440H20003	09440H20003	09440H20003	09440H20003	09440H20003	09440H20003	09440H20003	SPRING, clutch	6		30
18	21471HN9101	21471HN9101	21471HN9101	21471HN9101	21471HN9101	21471HN9101	21471HN9101	21471HN9101	RETAINER, clutch spring	6		30
19	09100H06009	09100H06009	09100H06009	09100H06009	09100H06009	09100H06009	09100H06009	09100H06009	BOLT, clutch spring	6		30
20	23271HN9100	23271HN9100	23271HN9100	23271HN9100	23271HN9100	23271HN9100	23271HN9100	23271HN9100	ARM, clutch release	1		5
21	09282H12002	09282H12002	09282H12002	09282H12002	09282H12002	09282H12002	09282H12002	09282H12002	OIL SEAL, clutch release camshaft	1		5
22	08211-12281	08211-12281	08211-12281	08211-12281	08211-12281	08211-12281	08211-12281	08211-12281	THRUST WASHER, clutch release ca	1		5
23	23122HN9100	23122HN9100	23122HN9100	23122HN9100	23122HN9100	23122HN9100	23122HN9100	23122HN9100	SHAFT, clutch release cam	1		5
24	01107-06208	01107-06208	01107-06208	01107-06208	01107-06208	01107-06208	01107-06208	01107-06208	BOLT, clutch release arm	1		5
25	21442HN9100	21442HN9100	21442HN9100	21442HN9100	21442HN9100	21442HN9100	21442HN9100	21442HN9100	PLATE, clutch drive No.2	1		5
26	21443HN9100	21443HN9100	21443HN9100	21443HN9100	21443HN9100	21443HN9100	21443HN9100	21443HN9100	WASHER, clutch wave	1		5
27	21444HN9101	21444HN9101	21444HN9101	21444HN9101	21444HN9101	21444HN9101	21444HN9101	21444HN9101	SEAT, clutch wave washer	1		5
28	21251HN9101	21251HN9101	21251HN9101	21251HN9101	21251HN9101	21251HN9101	21251HN9101	21251HN9101	SPACER, primary driven gear	1		5

FIG 19

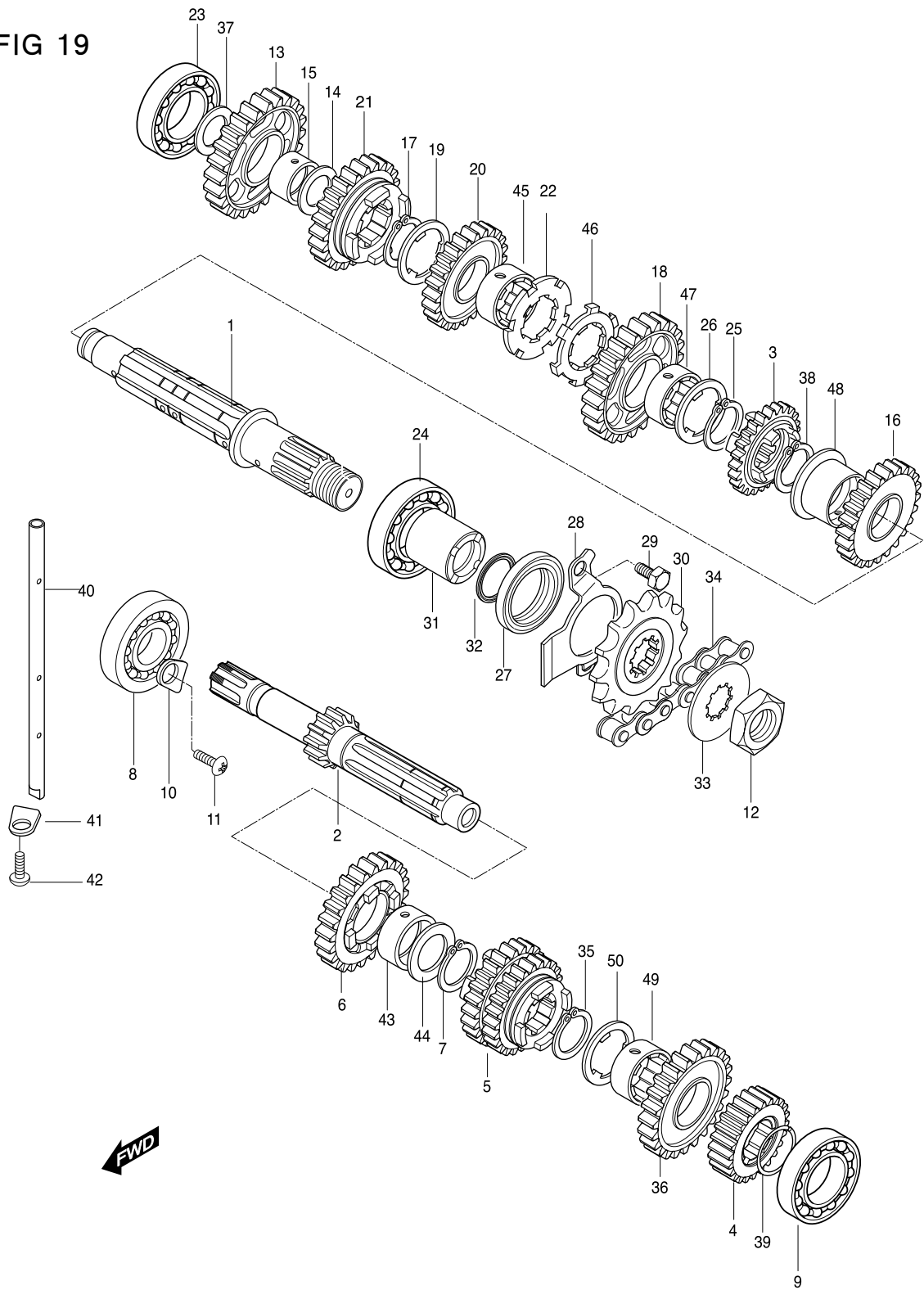


FIG 19. TRANSMISSION

REF. PART NO.	NUMBER.							PART NAME	Q'TY	REMARKS	REC.Q'TY (PCS)
DOMESTIC	NAT01	NAT02(25KW)	NEN01	NEU01(WVTA)	NEU02(WVTA 25K)	NG01	PUS01				
1	24131HN9100	24131HN9100	24131HN9100	24131HN9100	24131HN9100	24131HN9100	24131HN9100	SHAFT COMP, drive	1		5
2	24121HN9103	24121HN9103	24121HN9103	24121HN9103	24121HN9103	24121HN9103	24121HN9103	SHAFT COMP, counter	1	-KM4MP51A961103549	5
2~1	24121HN9104	24121HN9104	24121HN9104	24121HN9104	24121HN9104	24121HN9104	24121HN9104	SHAFT COMP, counter	1	KM4MP51A961103550~	5
3	24361HN9101	24361HN9101	24361HN9101	24361HN9101	24361HN9101	24361HN9101	24361HN9101	GEAR, 6th driven	1		5
4	24221HN9102	24221HN9102	24221HN9102	24221HN9102	24221HN9102	24221HN9102	24221HN9102	GEAR, 2nd drive	1		5
5	24231HN9101	24231HN9101	24231HN9101	24231HN9101	24231HN9101	24231HN9101	24231HN9101	GEAR, 3rd & 4th drive	1		5
6	24251HN9101	24251HN9101	24251HN9101	24251HN9101	24251HN9101	24251HN9101	24251HN9101	GEAR, 5th drive	1		5
7	09380H25001	09380H25001	09380H25001	09380H25001	09380H25001	09380H25001	09380H25001	CIRCLIP, 5th drive gear	1		25
8	08113-63040	08113-63040	08113-63040	08113-63040	08113-63040	08113-63040	08113-63040	BEARING, counter shaft R(#6304)	1		5
9	08123-63050	08123-63050	08123-63050	08123-63050	08123-63050	08123-63050	08123-63050	BEARING, counter shaft L(#6305)	1		5
10	24741HN9100	24741HN9100	24741HN9100	24741HN9100	24741HN9100	24741HN9100	24741HN9100	RETAINER, counter shaft bearing	1		20
11	02112-06128	02112-06128	02112-06128	02112-06128	02112-06128	02112-06128	02112-06128	SCREW, counter shaft bearing retain	1		10
12	09159H20001	09159H20001	09159H20001	09159H20001	09159H20001	09159H20001	09159H20001	NUT, engine sprocket	1		5
13	24311HN9100	24311HN9100	24311HN9100	24311HN9100	24311HN9100	24311HN9100	24311HN9100	GEAR, 1st driven	1		5
14	09181H20001	09181H20001	09181H20001	09181H20001	09181H20001	09181H20001	09181H20001	SHIM, 1st driven gear	1		5
15	24312HN9100	24312HN9100	24312HN9100	24312HN9100	24312HN9100	24312HN9100	24312HN9100	BUSH,1st driven gear	1		
16	24321HN9101	24321HN9101	24321HN9101	24321HN9101	24321HN9101	24321HN9101	24321HN9101	GEAR, 2nd driven	1		5
17	09380H25001	09380H25001	09380H25001	09380H25001	09380H25001	09380H25001	09380H25001	CIRCLIP, 4th driven gear	1		
18	24331HN9101	24331HN9101	24331HN9101	24331HN9101	24331HN9101	24331HN9101	24331HN9101	GEAR, 3rd driven	1		5
19	09167H25001	09167H25001	09167H25001	09167H25001	09167H25001	09167H25001	09167H25001	THRUST WASHER, 4th driven gear	1		15
20	24341HN9100	24341HN9100	24341HN9100	24341HN9100	24341HN9100	24341HN9100	24341HN9100	GEAR, 4th driven	1		5
21	24351HN9101	24351HN9101	24351HN9101	24351HN9101	24351HN9101	24351HN9101	24351HN9101	GEAR, 5th driven	1		5
22	09167H25002	09167H25002	09167H25002	09167H25002	09167H25002	09167H25002	09167H25002	WASHER, 3rd &4th driven gear thrus	1		5
23	08113-62030	08113-62030	08113-62030	08113-62030	08113-62030	08113-62030	08113-62030	BEARING, drive shaft R	1		5
24	08123-63050	08123-63050	08123-63050	08123-63050	08123-63050	08123-63050	08123-63050	BEARING, drive shaft L	1		
25	09380H25001	09380H25001	09380H25001	09380H25001	09380H25001	09380H25001	09380H25001	CIRCLIP, 3rd driven gear	1		
26	09167H25001	09167H25001	09167H25001	09167H25001	09167H25001	09167H25001	09167H25001	THRUST WASHER, 3rd driven gear	1		
27	09282H36002	09282H36002	09282H36002	09282H36002	09282H36002	09282H36002	09282H36002	OIL SEAL, drive shaft	1		5
28	24751HN9100	24751HN9100	24751HN9100	24751HN9100	24751HN9100	24751HN9100	24751HN9100	RETAINER, drive shaft oil seal	1		5
29	01107-06106	01107-06106	01107-06106	01107-06106	01107-06106	01107-06106	01107-06106	BOLT, drive shaft oil seal retainer	2		10
30	27510HN9100	27510HN9100	27510HN9100	27510HN9100	27510HN9100	27510HN9100	27510HN9100	SPROCKET COMP, engine 15T(#52:	1		5
31	27531HN9100	27531HN9100	27531HN9100	27531HN9100	27531HN9100	27531HN9100	27531HN9100	SPACER, engine sprocket	1		5
32	09280H24001	09280H24001	09280H24001	09280H24001	09280H24001	09280H24001	09280H24001	O-RING, engine sprocket	1		5
33	09167H25001	09167H25001	09167H25001	09167H25001	09167H25001	09167H25001	09167H25001	LOCK WASHER, engine sprocket	1		
34	27600HN9100	27600HN9100	27600HN9100	27600HN9100	27600HN9100	27600HN9100	27600HN9100	CHAIN ASS'Y, drive 108L(#525)	1		5
35	09380H25001	09380H25001	09380H25001	09380H25001	09380H25001	09380H25001	09380H25001	CILCLIP, 6th driven gear	1		
36	24261HN9101	24261HN9101	24261HN9101	24261HN9101	24261HN9101	24261HN9101	24261HN9101	GEAR, 6th drive	1		5
37	09181H17001	09181H17001	09181H17001	09181H17001	09181H17001	09181H17001	09181H17001	SHIM, drive shaft	1		5
38	09380H25001	09380H25001	09380H25001	09380H25001	09380H25001	09380H25001	09380H25001	CILCLIP, 2nd drive gear	1		
39	09380H22001	09380H22001	09380H22001	09380H22001	09380H22001	09380H22001	09380H22001	CILCLIP, 2nd drive gear	1		5
40	24761HN9102	24761HN9102	24761HN9102	24761HN9102	24761HN9102	24761HN9102	24761HN9102	PIPE, transmission oil	1		5
41	24741HN9100	24741HN9100	24741HN9100	24741HN9100	24741HN9100	24741HN9100	24741HN9100	RETAINER, transmission oil pipe	1		
42	02112-06128	02112-06128	02112-06128	02112-06128	02112-06128	02112-06128	02112-06128	SCREW, transmission oil pipe retain	1		

FIG 19

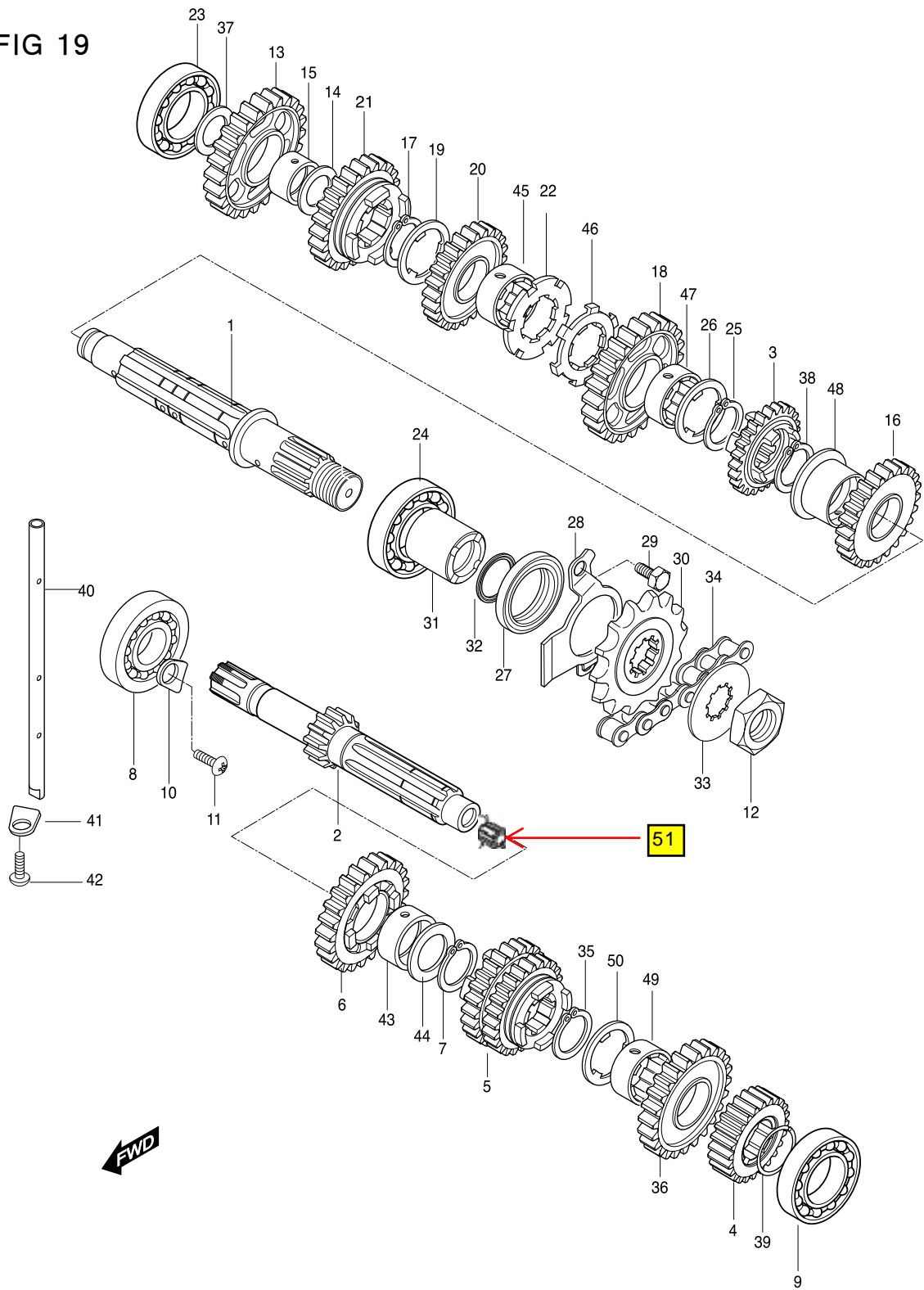


FIG 19. TRANSMISSION

REF. PART NO.	NUMBER.	NAT01	NAT02(25KW)	NEN01	NEU01(WVTA)	NEU02(WVTA 25K)	NG01	PUS01	PART NAME	Q'TY	REMARKS	REC.Q'TY (PCS)
43	24252HN9100	24252HN9100	24252HN9100	24252HN9100	24252HN9100	24252HN9100	24252HN9100	24252HN9100	BUSH, 5th drive gear	1		
44	09181H25001	09181H25001	09181H25001	09181H25001	09181H25001	09181H25001	09181H25001	09181H25001	SHIM, 5th drive gear	1		5
45	24332HN9100	24332HN9100	24332HN9100	24332HN9100	24332HN9100	24332HN9100	24332HN9100	24332HN9100	BUSH, 4th drive gear	1		
46	09167H25003	09167H25003	09167H25003	09167H25003	09167H25003	09167H25003	09167H25003	09167H25003	WASHER, thrust washer lock	1		5
47	24332HN9100	24332HN9100	24332HN9100	24332HN9100	24332HN9100	24332HN9100	24332HN9100	24332HN9100	BUSH, 3rd driven gear	1		
48	24322HN9100	24322HN9100	24322HN9100	24322HN9100	24322HN9100	24322HN9100	24322HN9100	24322HN9100	BUSH, 2nd driven gear	1		
49	24262HN9100	24262HN9100	24262HN9100	24262HN9100	24262HN9100	24262HN9100	24262HN9100	24262HN9100	BUSH, 6th drive gear	1		
50	09167H25001	09167H25001	09167H25001	09167H25001	09167H25001	09167H25001	09167H25001	09167H25001	WASHER, 6th drive gear	1		
51	24125-38201	24125-38201	24125-38201	24125-38201	24125-38201	24125-38201	24125-38201	24125-38201	BUSH	2		

FIG 20

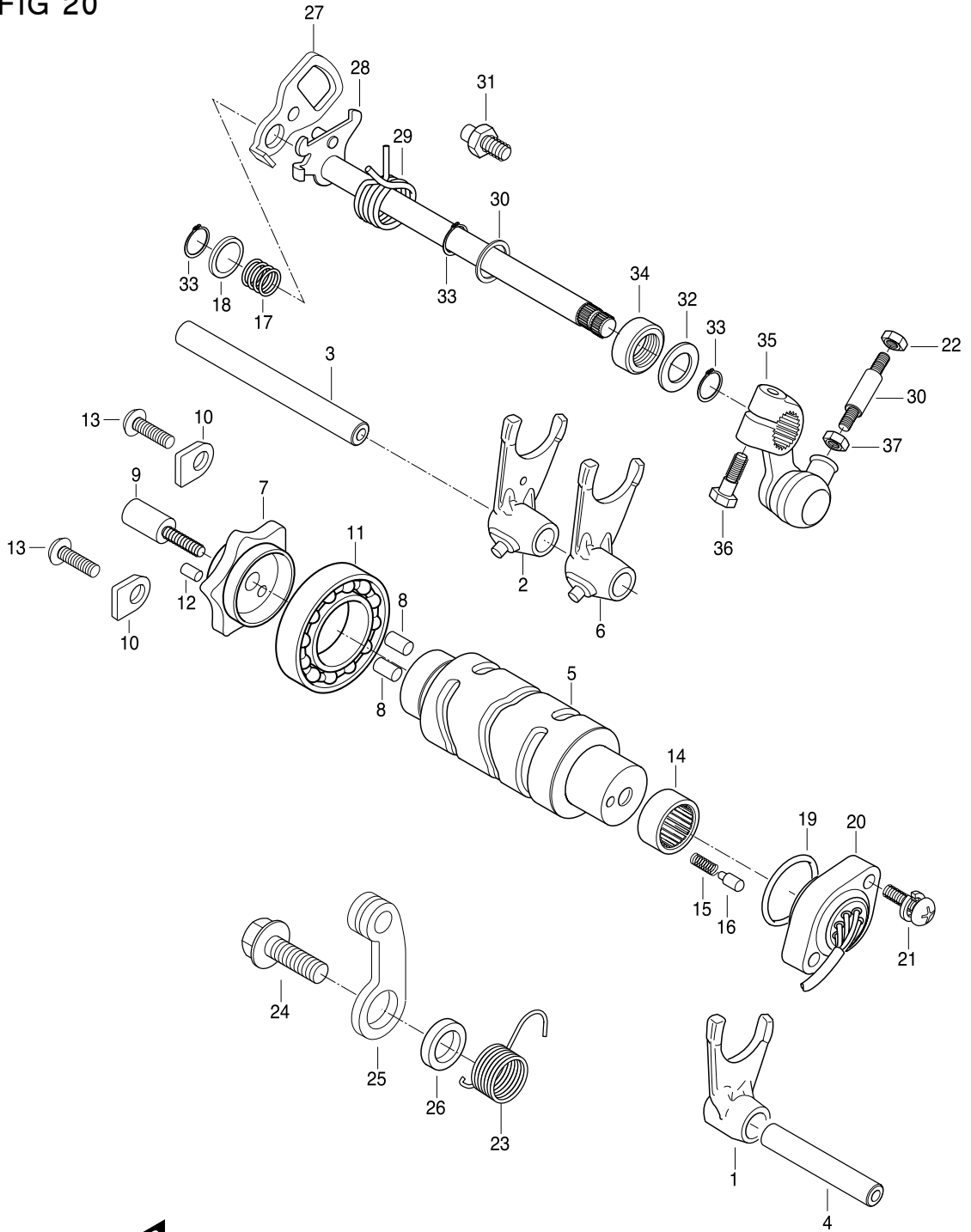


FIG 20. GEAR SHIFTING

REF. PART NO.	NUMBER.								PART NAME	Q'TY	REMARKS	REC.Q'TY (PCS)
NO.	DOMESTIC	NAT01	NAT02(25KW)	NEN01	NEU01(WVTA)	NEU02(WVTA 25K)	NG01	PUS01				
1	25231HN9100	25231HN9100	25231HN9100	25231HN9100	25231HN9100	25231HN9100	25231HN9100	25231HN9100	FORK, gear shift No.3	1		5
2	25211HN9100	25211HN9100	25211HN9100	25211HN9100	25211HN9100	25211HN9100	25211HN9100	25211HN9100	FORK, gear shift No.1	1		5
3	25411HN9100	25411HN9100	25411HN9100	25411HN9100	25411HN9100	25411HN9100	25411HN9100	25411HN9100	SHAFT, gear shift fork No.1	1		5
4	25421HN9100	25421HN9100	25421HN9100	25421HN9100	25421HN9100	25421HN9100	25421HN9100	25421HN9100	SHAFT, gear shift fork No.2	1		5
5	25310HN9102	25310HN9102	25310HN9102	25310HN9102	25310HN9102	25310HN9102	25310HN9102	25310HN9102	CAM COMP, gear shift	1		5
6	25221HN9100	25221HN9100	25221HN9100	25221HN9100	25221HN9100	25221HN9100	25221HN9100	25221HN9100	FORK, gear shift No.2	1		5
7	25380HN9104	25380HN9104	25380HN9104	25380HN9104	25380HN9104	25380HN9104	25380HN9104	25380HN9104	PLATE COMP, gear shift cam	1		5
8	04221-04089	04221-04089	04221-04089	04221-04089	04221-04089	04221-04089	04221-04089	04221-04089	PIN, gear shift cam plate	2		
9	25321HN9100	25321HN9100	25321HN9100	25321HN9100	25321HN9100	25321HN9100	25321HN9100	25321HN9100	BOLT, gear shift cam plate	1		5
10	24741HN9100	24741HN9100	24741HN9100	24741HN9100	24741HN9100	24741HN9100	24741HN9100	24741HN9100	RETAINER, gear shift cam bearing R	2		
11	09262H25002	09262H25002	09262H25002	09262H25002	09262H25002	09262H25002	09262H25002	09262H25002	BEARING, gear shift cam R	2		5
12	09261-04002	09261-04002	09261-04002	09261-04002	09261-04002	09261-04002	09261-04002	09261-04002	PIN, gear shift cam plate	6		
13	02122-06128	02122-06128	02122-06128	02122-06128	02122-06128	02122-06128	02122-06128	02122-06128	SCREW, gear shift cam bearing retainer	2		10
14	09263H25001	09263H25001	09263H25001	09263H25001	09263H25001	09263H25001	09263H25001	09263H25001	BEARING, gear shift cam L	1		5
15	09440-04010	09440-04010	09440-04010	09440-04010	09440-04010	09440-04010	09440-04010	09440-04010	SPRING, gear shift switch contact	1		5
16	09209-05011	09209-05011	09209-05011	09209-05011	09209-05011	09209-05011	09209-05011	09209-05011	CONTACT, gear shift switch	1		5
17	09440H17001	09440H17001	09440H17001	09440H17001	09440H17001	09440H17001	09440H17001	09440H17001	SPRING, gear shift cam drive plate	1		5
18	09181H14001	09181H14001	09181H14001	09181H14001	09181H14001	09181H14001	09181H14001	09181H14001	SHIM, gear shift shaft thrust	2		10
19	09280-26003	09280-26003	09280-26003	09280-26003	09280-26003	09280-26003	09280-26003	09280-26003	O-RING, gear shift switch	1		5
20	37720HN9101	37720HN9101	37720HN9101	37720HN9101	37720HN9101	37720HN9101	37720HN9101	37720HN9101	SWITCH ASS'Y, gear shift	1		5
21	02112-95208	02112-95208	02112-95208	02112-95208	02112-95208	02112-95208	02112-95208	02112-95208	SCREW, gear shift switch	2		10
22	09140-06011	09140-06011	09140-06011	09140-06011	09140-06011	09140-06011	09140-06011	09140-06011	NUT, gear shift link rod L (M6)	2		
23	09448H17001	09448H17001	09448H17001	09448H17001	09448H17001	09448H17001	09448H17001	09448H17001	SPRING, gear shift cam stopper	1		5
24	09111-06019	09111-06019	09111-06019	09111-06019	09111-06019	09111-06019	09111-06019	09111-06019	BOLT, gear shift cam stopper	1		5
25	25350HN9100	25350HN9100	25350HN9100	25350HN9100	25350HN9100	25350HN9100	25350HN9100	25350HN9100	STOPPER COMP, gear shift cam	1		5
26	08211-06121	08211-06121	08211-06121	08211-06121	08211-06121	08211-06121	08211-06121	08211-06121	WASHER, gear shift shaft thrust	1		5
27	25521HN9100	25521HN9100	25521HN9100	25521HN9100	25521HN9100	25521HN9100	25521HN9100	25521HN9100	PLATE, gear shift cam drive	1		5
28	25510HN9101	25510HN9101	25510HN9101	25510HN9101	25510HN9101	25510HN9101	25510HN9101	25510HN9101	SHAFT COMP, gear shift	1		5
29	09444H20002	09444H20002	09444H20002	09444H20002	09444H20002	09444H20002	09444H20002	09444H20002	SPRING, gear shift shaft return	1		5
30	25525HN9100	25525HN9150	25525HN9150	25525HN9150	25525HN9150	25525HN9150	25525HN9150	25525HN9150	ROD, gear shift link(L=185)	1		
	25525HP9250	25525HP9250	25525HP9250	25525HP9250	25525HP9250	25525HP9250	25525HP9250	25525HP9250	ROD, gear shift link(L=258)	1		
31	25671-01000	25671-01000	25671-01000	25671-01000	25671-01000	25671-01000	25671-01000	25671-01000	STOPPER, gear shift arm	1		5
32	09160H14003	09160H14003	09160H14003	09160H14003	09160H14003	09160H14003	09160H14003	09160H14003	WASHER, gear shift shaft thrust	1		5
33	08331-31149	08331-31149	08331-31149	08331-31149	08331-31149	08331-31149	08331-31149	08331-31149	CIRCLIP, gear shift shaft	3		15
34	09283H14002	09283H14002	09283H14002	09283H14002	09283H14002	09283H14002	09283H14002	09283H14002	SEAL, gear shift shaft oil	1		5
35	25520-32C00	25520-32C00	25520-32C00	25520-32C00	25520-32C00	25520-32C00	25520-32C00	25520-32C00	ARM COMP, gear shift link	1		
36	01107-06208	01107-06208	01107-06208	01107-06208	01107-06208	01107-06208	01107-06208	01107-06208	BOLT, gear shift link arm (M6X10)	1		
37	08310-11068	08310-11068	08310-11068	08310-11068	08310-11068	08310-11068	08310-11068	08310-11068	NUT, gear shift link rod R (M6)	1		

FIG 21

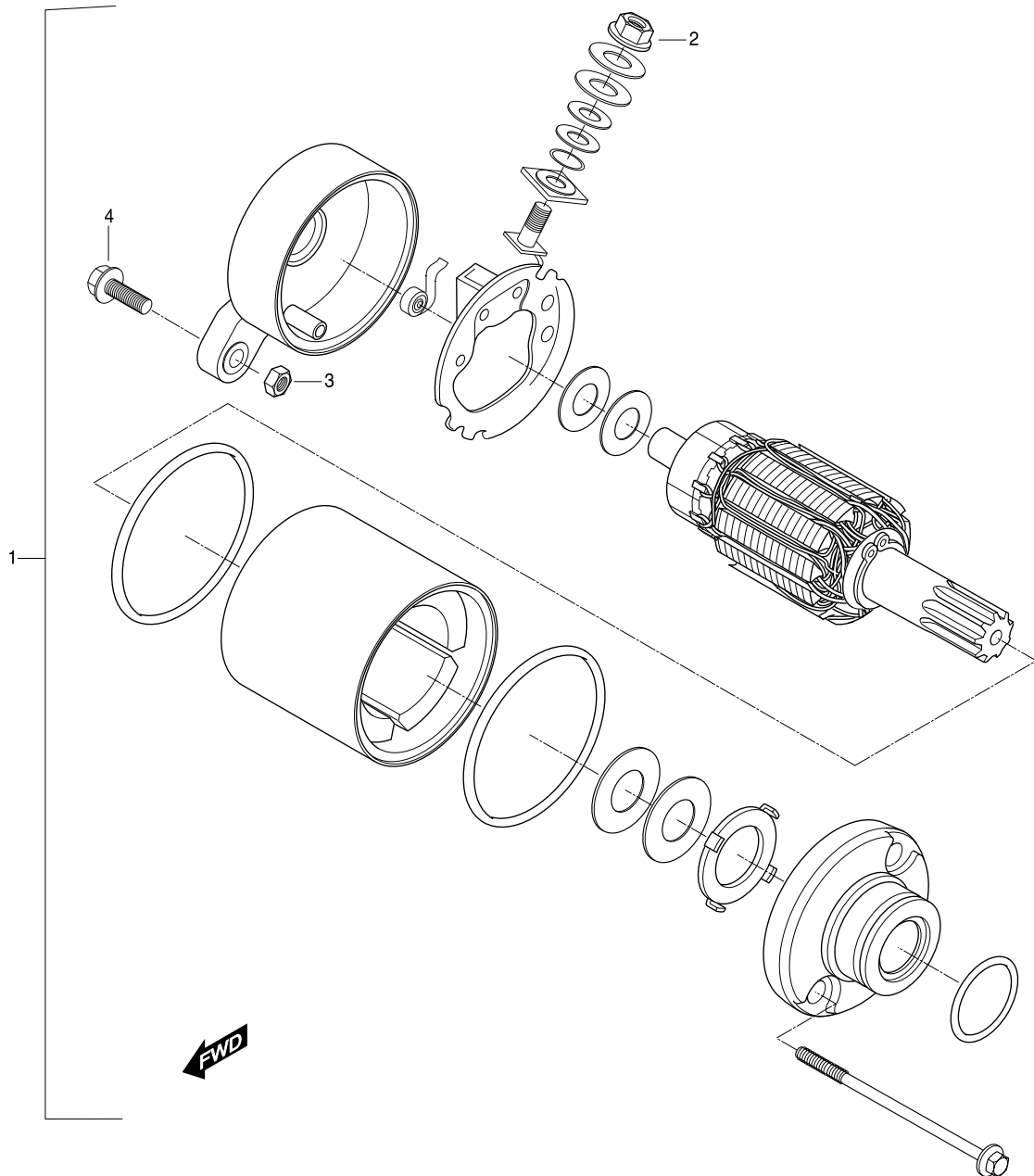


FIG 21. STARTING MOTOR

REF. PART NUMBER.									PART NAME	Q`TY	REMARKS	REC.Q`TY
NO.	DOMESTIC	NAT01	NAT02(25KW)	NEN01	NEU01(WVTA)	NEU02(WVTA 25K)	NG01	PUS01				(PCS)
1	31100HN9100	31100HN9100	31100HN9100	31100HN9100	31100HN9100	31100HN9100	31100HN9100	31100HN9100	MOTOR ASS`Y, starting	1		5
2	08316-16068	08316-16068	08316-16068	08316-16068	08316-16068	08316-16068	08316-16068	08316-16068	NUT, starter motor terminal	1		
3	08319-21068	08319-21068	08319-21068	08319-21068	08319-21068	08319-21068	08319-21068	08319-21068	NUT, start motor bracket	2		
4	01547-06308	01547-06308	01547-06308	01547-06308	01547-06308	01547-06308	01547-06308	01547-06308	BOLT, start motor bracket	2		

FIG 22

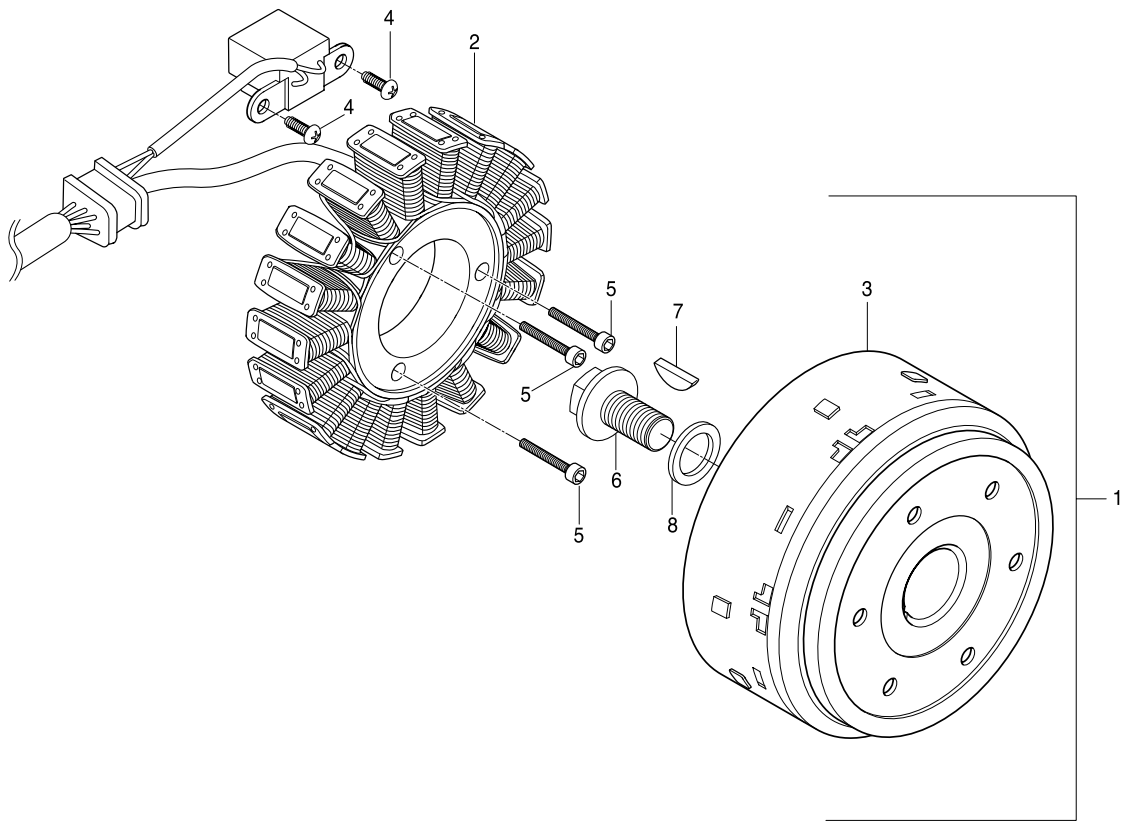
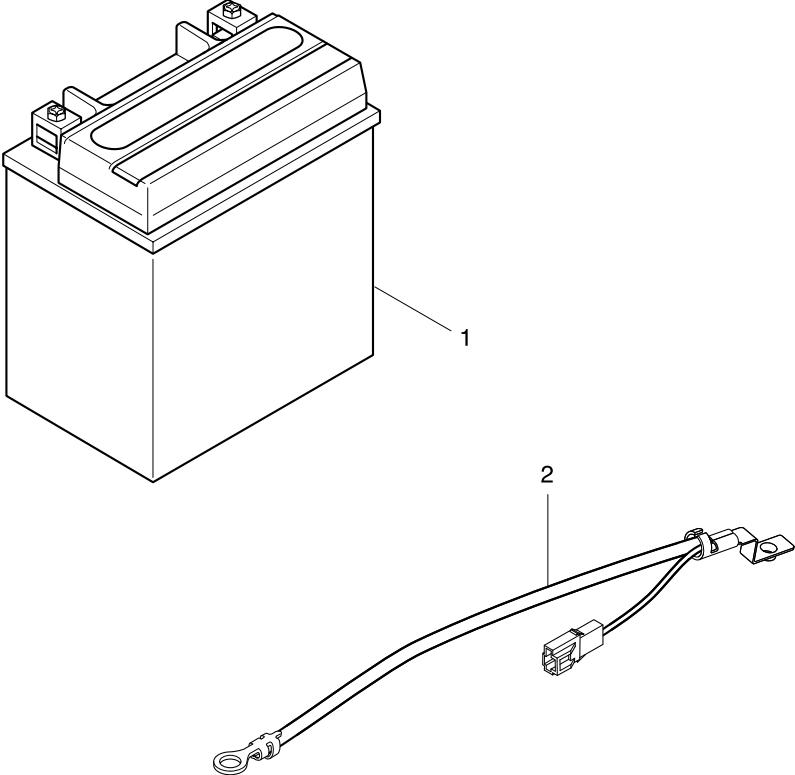


FIG 22. MAGNETO ASSY

REF. PART NUMBER.									PART NAME	Q`TY	REMARKS	REC.Q`TY
NO.	DOMESTIC	NAT01	NAT02(25KW)	NEN01	NEU01(WVTA)	NEU02(WVTA 25K)	NG01	PUS01				(PCS)
1	32100HN9101	32100HN9101	32100HN9101	32100HN9101	32100HN9101	32100HN9101	32100HN9101	32100HN9101	MAGNETO ASS'Y	1		5
2	32101HN9101	32101HN9101	32101HN9101	32101HN9101	32101HN9101	32101HN9101	32101HN9101	32101HN9101	STATOR ASS'Y	1		
3	32102HN9100	32102HN9100	32102HN9100	32102HN9100	32102HN9100	32102HN9100	32102HN9100	32102HN9100	ROTOR, fly wheel	1		
4	02142-05128	02142-05128	02142-05128	02142-05128	02142-05128	02142-05128	02142-05128	02142-05128	SCREW, pick-up coil(M5X12)	2		
5	07110-06308	07110-06308	07110-06308	07110-06308	07110-06308	07110-06308	07110-06308	07110-06308	SCREW, magneto stator(M5X30)	3		15
6	09103H12001	09103H12001	09103H12001	09103H12001	09103H12001	09103H12001	09103H12001	09103H12001	BOLT, magneto	1		5
7	09420H04001	09420H04001	09420H04001	09420H04001	09420H04001	09420H04001	09420H04001	09420H04001	KEY, magneto	1		5
8	09160H12003	09160H12003	09160H12003	09160H12003	09160H12003	09160H12003	09160H12003	09160H12003	WASHER, magneto	1		5

FIG 23



FWD

FIG 23. BATTERY

REF. PART NUMBER.									PART NAME	Q`TY	REMARKS	REC.Q`TY
NO.	DOMESTIC	NAT01	NAT02(25KW)	NEN01	NEU01(WVTA)	NEU02(WVTA 25K	NG01	PUS01				(PCS)
1	33610HM8100	33610HM8100	33610HM8100	33610HM8100	33610HM8100	33610HM8100	33610HM8100	33610HM8100	BATTERY ASS`Y(12V 12Ah. STX14-BS)	1		5
2	33860HN9100	33860HN9100	33860HN9100	33860HN9100	33860HN9100	33860HN9100	33860HN9100	33860HN9100	LEAD WIRE, battery minus(-)	1		5

FIG 24

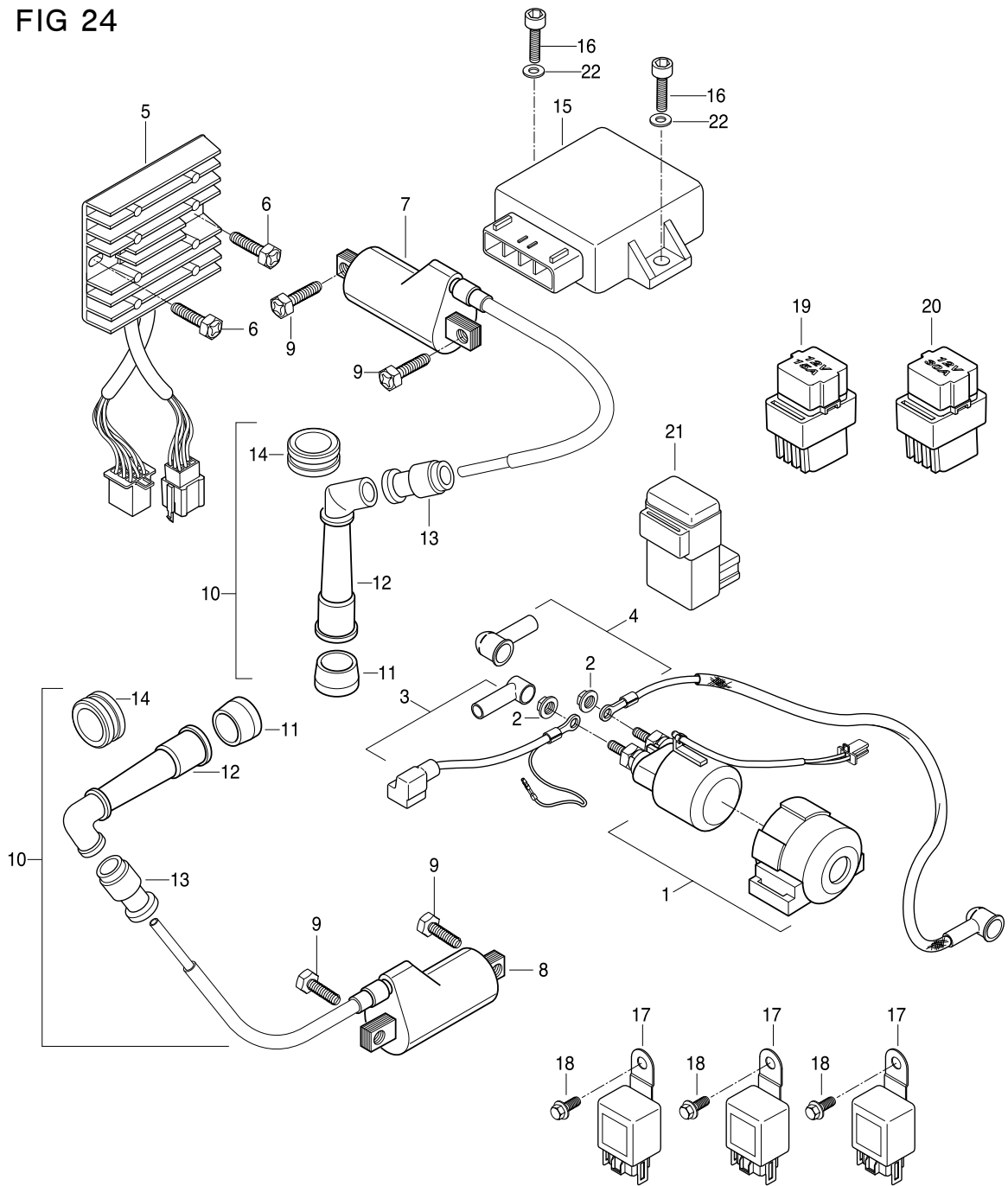


FIG 24. ELECTRICAL

REF. PART NO.	NUMBER.	NAT01	NAT02(25KW)	NEN01	NEU01(WVTA)	NEU02(WVTA 25K)	NG01	PUS01	PART NAME	Q'TY	REMARKS	REC.Q'TY (PCS)
1	31800HG5100	31800HG5100	31800HG5100	31800HG5100	31800HG5100	31800HG5100	31800HG5100	31800HG5100	RELAY ASS'Y, starting motor	1		5
2	08316-26066	08316-26066	08316-26066	08316-26066	08316-26066	08316-26066	08316-26066	08316-26066	NUT, starter motor relay terminal	2		40
3	33840HM8101	33840HM8101	33840HM8101	33840HM8101	33840HM8101	33840HM8101	33840HM8101	33840HM8101	LEAD WIRE, battery plus	1		5
4	33850HG5800	33850HG5800	33850HG5800	33850HG5800	33850HG5800	33850HG5800	33850HG5800	33850HG5800	LEAD WIRE, starter motor	1		5
5	32800HN9101	32800HN9101	32800HN9101	32800HN9101	32800HN9101	32800HN9101	32800HN9101	32800HN9101	RECTIFIER REGULATOR ASS'Y	1		5
6	09128-06005	09128-06005	09128-06005	09128-06005	09128-06005	09128-06005	09128-06005	09128-06005	BOLT, rectifier	2		10
7	33410HN9100	33410HN9100	33410HN9100	33410HN9100	33410HN9100	33410HN9100	33410HN9100	33410HN9100	COIL ASS'Y, ignition front	1		5
8	33430HN9100	33430HN9100	33430HN9100	33430HN9100	33430HN9100	33430HN9100	33430HN9100	33430HN9100	COIL ASS'Y, ignition rear	1		5
9	09128-06035	09128-06035	09128-06035	09128-06035	09128-06035	09128-06035	09128-06035	09128-06035	BOLT, ignition coil	4		30
10	33500HN9100	33500HN9100	33500HN9100	33500HN9100	33500HN9100	33500HN9100	33500HN9100	33500HN9100	CAP ASS'Y spark plug	2		10
11	33541-23E01	33541-23E01	33541-23E01	33541-23E01	33541-23E01	33541-23E01	33541-23E01	33541-23E01	SEAL, spark plug	2		
12	33510-05C01	33510-05C01	33510-05C01	33510-05C01	33510-05C01	33510-05C01	33510-05C01	33510-05C01	CAP, spark plug	2		
13	33542-98000	33542-98000	33542-98000	33542-98000	33542-98000	33542-98000	33542-98000	33542-98000	SEAL, high tension cord	2		
14	33545HN9100	33545HN9100	33545HN9100	33545HN9100	33545HN9100	33545HN9100	33545HN9100	33545HN9100	BUSH, spark plug cap	2	NOT SALE	
15	32900HN9110	32900HN9110	32900HN9110	32900HN9110	32900HN9110	32900HN9110	32900HN9110	32900HN9110	IGNITOR ASS'Y		~KM4MP51B15110407	5
15-1	32900HN9111	32900HN9111	32900HN9111	32900HN9111	32900HN9111	32900HN9111	32900HN9111	32900HN9111	IGNITOR ASS'Y	1	KM4MP51C751100307~	5
16	09106-06030	09106-06030	09106-06030	09106-06030	09106-06030	09106-06030	09106-06030	09106-06030	BOLT, ignitor	2		
16-1									WASHER, ignitor	2	NOT SALE	
17	38740HM5401	38740HM5401	38740HM5401	38740HM5401	38740HM5401	38740HM5401	38740HM5401	38740HM5401	RELAY ASS'Y.	3		15
18	01517-06166	01517-06166	01517-06166	01517-06166	01517-06166	01517-06166	01517-06166	01517-06166	BOLT, relay	3		85
19	36740-35C00	36740-35C00	36740-35C00	36740-35C00	36740-35C00	36740-35C00	36740-35C00	36740-35C00	BOX ASS'Y, fuse (15A)	1		
20	36740HN9100	36740HN9100	36740HN9100	36740HN9100	36740HN9100	36740HN9100	36740HN9100	36740HN9100	BOX ASS'Y, fuse (30A)	1		
21	32910HN9101	32910HN9101	32910HN9101	32910HN9101	32910HN9101	32910HN9101	32910HN9101	32910HN9101	PULSE CONTROL UNIT	1		5
22	08322-21065	08322-21065	08322-21065	08322-21065	08322-21065	08322-21065	08322-21065	08322-21065	WASHER, ignitor	2		10

FIG 25

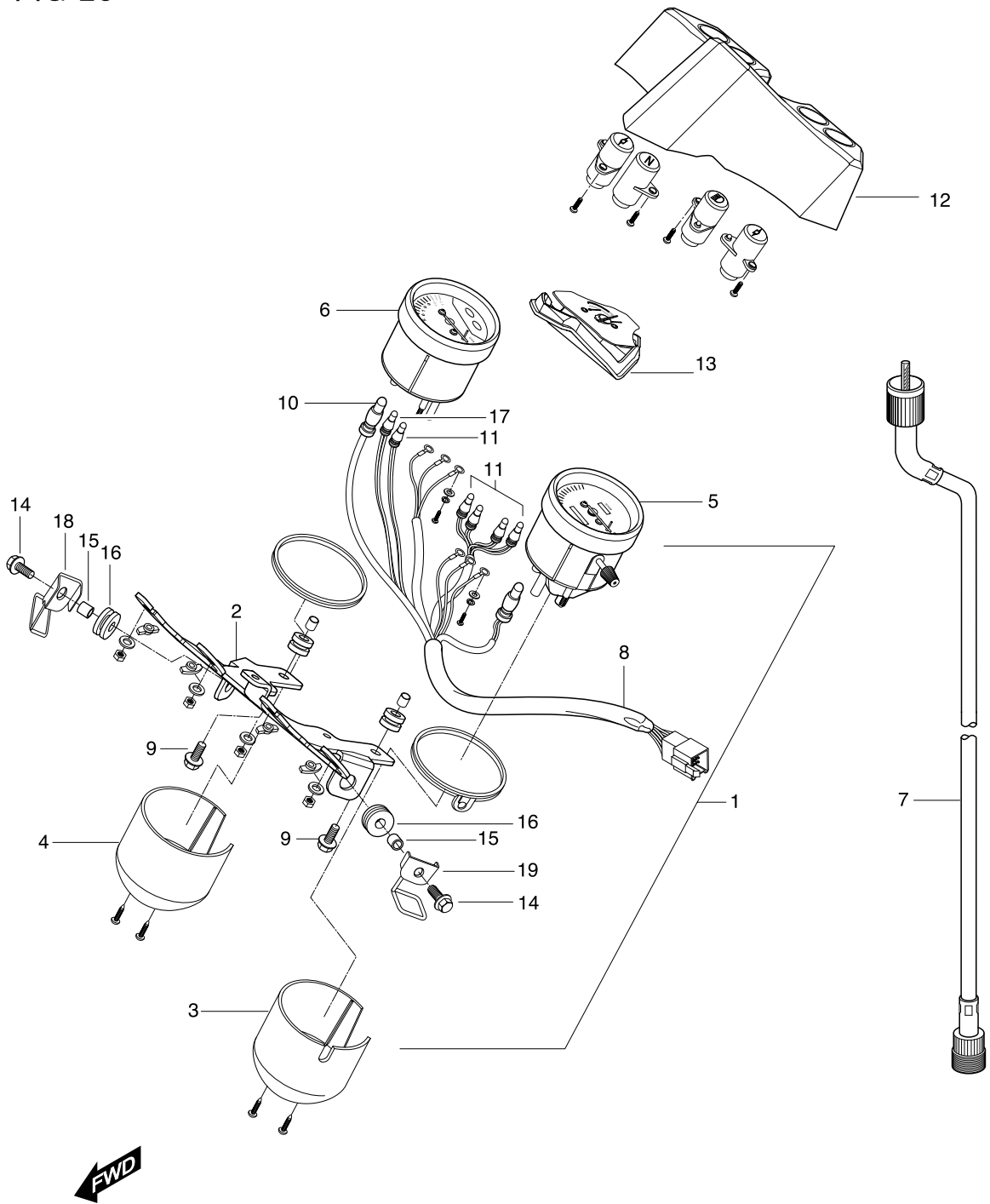


FIG 25. SPEEDOMETER ASSY

REF. PART NUMBER.									PART NAME	Q`TY	REMARKS	REC.Q`TY
NO.	DOMESTIC	NAT01	NAT02(25KW)	NEN01	NEU01(WVTA)	NEU02(WVTA 25K)	NG01	PUS01				(PCS)
1	34100HN9101	34100HN9150	34100HN9150	34100HN9101	34100HN9101	34100HN9101	34100HN9101	34100HN9101	SPEEDOMETER ASS'Y	1		5
2	34950HP9200	34950HP9200	34950HP9200	34950HP9200	34950HP9200	34950HP9200	34950HP9200	34950HP9200	BRACKET	1		
3	34105HM8100	34105HM8100	34105HM8100	34105HM8100	34105HM8100	34105HM8100	34105HM8100	34105HM8100	LOWER CASE, speedometer	1		
4	34106HM8100	34106HM8100	34106HM8100	34106HM8100	34106HM8100	34106HM8100	34106HM8100	34106HM8100	LOWER CASE, tachometer	1		
5	34110HN9100	34110HN9150	34110HN9150	34110HN9100	34110HN9100	34110HN9100	34110HN9100	34110HN9100	SPEEDOMETER	1		
6	34120HN9100	34120HN9150	34120HN9150	34120HN9100	34120HN9100	34120HN9100	34120HN9100	34120HN9100	TACHOMETER	1		
7	34910H93B00	34910H93B00	34910H93B00	34910H93B00	34910H93B00	34910H93B00	34910H93B00	34910H93B00	CABLE ASS'Y, speedometer	1		5
8	34171HN9100	34171HN9100	34171HN9100	34171HN9100	34171HN9100	34171HN9100	34171HN9100	34171HN9100	WIRING ASS'Y, speedometer	1		
9	09116-06010	09116-06010	09116-06010	09116-06010	09116-06010	09116-06010	09116-06010	09116-06010	BOLT, speedometer bracket	2		10
10	09471-12077	09471-12077	09471-12077	09471-12077	09471-12077	09471-12077	09471-12077	09471-12077	BULB (12V ,1.7W, T10)	2		
11	09471-12072	09471-12072	09471-12072	09471-12072	09471-12072	09471-12072	09471-12072	09471-12072	BULB (12V, 1.7W, T6.5)	5		
12	39110HM8100	39110HM8100	39110HM8100	39110HM8100	39110HM8100	39110HM8100	39110HM8100	39110HM8100	INDICATOR LAMP, upper	1		
13	34136HN9100	34136HN9100	34136HN9100	34136HN9100	34136HN9100	34136HN9100	34136HN9100	34136HN9100	COVER, temp meter	1		
14	01517-06208	01517-06208	01517-06208	01517-06208	01517-06208	01517-06208	01517-06208	01517-06208	BOLT, speedometer & brace	2		10
15	09180-06011	09180-06011	09180-06011	09180-06011	09180-06011	09180-06011	09180-06011	09180-06011	SPACER, speedometer bkt cushion	2		10
16	94433H07C00	94433H07C00	94433H07C00	94433H07C00	94433H07C00	94433H07C00	94433H07C00	94433H07C00	CUSHION, speedometer bracket	2		10
17	09471-12072	09471-12072	09471-12072	09471-12072	09471-12072	09471-12072	09471-12072	09471-12072	BULB (12V, 1.7W, T6.5)	1		
18	59410HN9101	59410HN9101	59410HN9101	59410HN9101	59410HN9101	59410HN9101	59410HN9101	59410HN9101	GUIDE COMP, brake hose & s/w lea	1		5
19	59420HN9101	59420HN9101	59420HN9101	59420HN9101	59420HN9101	59420HN9101	59420HN9101	59420HN9101	GUIDE COMP, cable & s/w lead wir	1		5

FIG 26

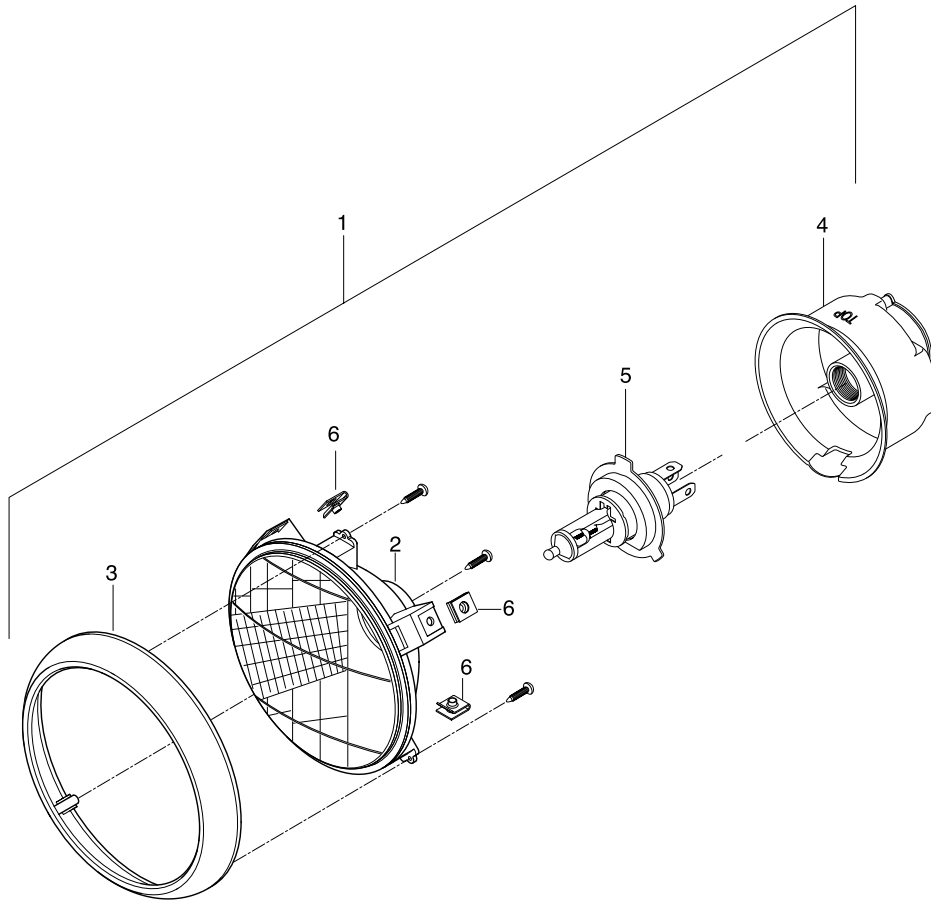


FIG 26. HEAD LAMP

REF. PART NUMBER.									PART NAME	Q`TY	REMARKS	REC.Q`TY
NO.	DOMESTIC	NAT01	NAT02(25KW)	NEN01	NEU01(WVTA)	NEU02(WVTA 25K)	NG01	PUS01				(PCS)
1	35100HM8102	35100HM8162	35100HM8162	35100HM8162	35100HM8152	35100HM8152	35100HM8152	35100HM8171	HEAD LAMP ASS`Y	1		5
2	35120HM8100	35120HM8160	35120HM8160	35120HM8160	35120HM8150	35120HM8150	35120HM8150	35120HM8150	REFLECTOR, headlamp	1		
3	35111HM8100	35111HM8100	35111HM8100	35111HM8100	35111HM8100	35111HM8100	35111HM8100	35111HM8100	RIM, headlamp	1		
4	35173HM8100	35173HM8100	35173HM8100	35173HM8100	35173HM8100	35173HM8100	35173HM8100	35173HM8100	DUST COVER	1		
5	09471H12103	09471H12103	09471H12103	09471H12103	09471H12103	09471H12103	09471H12103	09471H12103	BULB, head lamp(12v 60/55w)	1		
6	09148-05039	09148-05039	09148-05039	09148-05039	09148-05039	09148-05039	09148-05039	09148-05039	NUT, head lamp(M5)	3		45
7		09471-12110	09471-12110	09471-12110	09471-12110	09471-12110	09471-12110	09471-12110	BULB,position lamp	1		

FIG 27

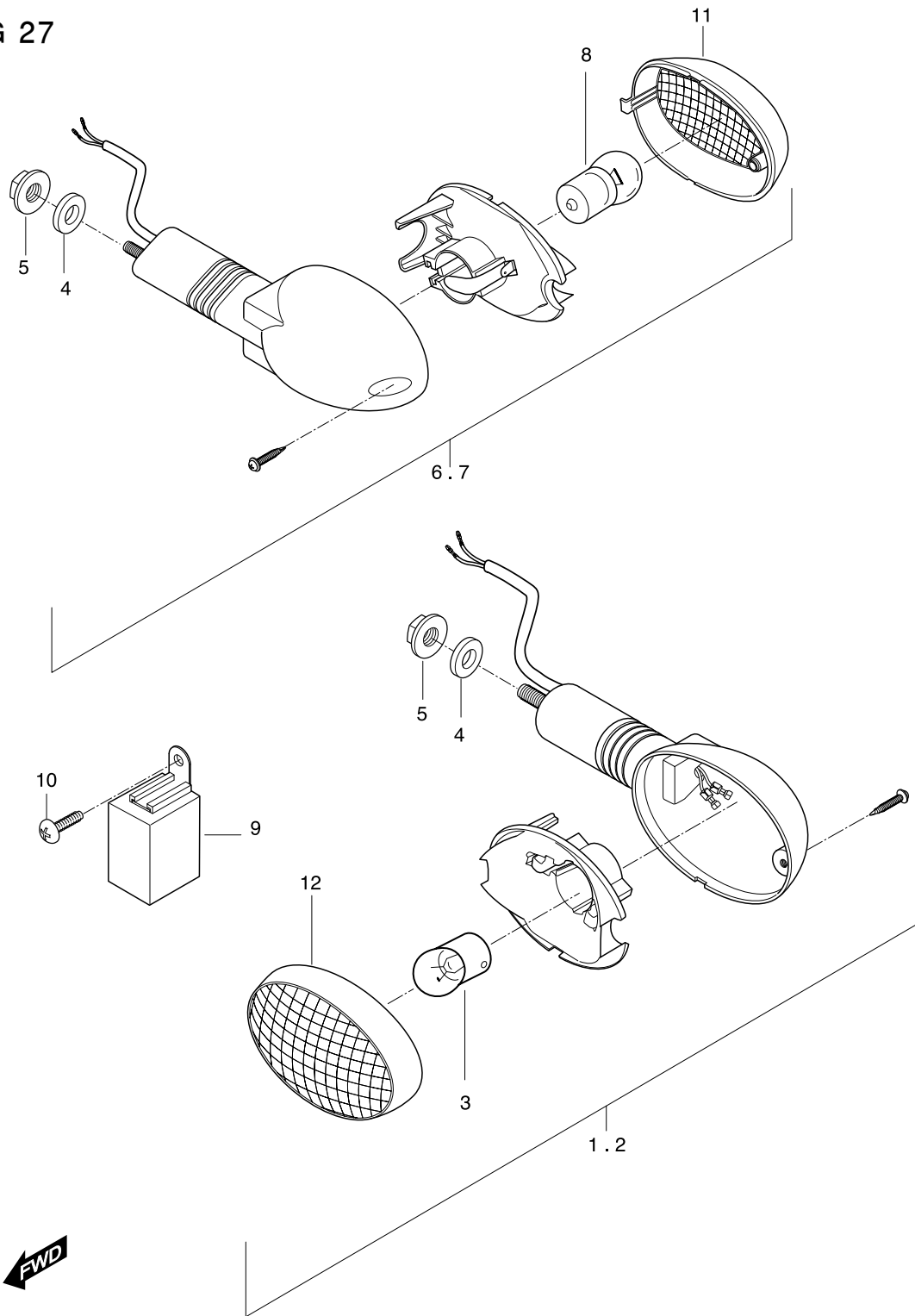


FIG 27. FRONT TURN SIGNAL LAMP

REF. PART NUMBER.									PART NAME	Q`TY	REMARKS	REC.Q`TY
NO.	DOMESTIC	NAT01	NAT02(25KW)	NEN01	NEU01(WVTA)	NEU02(WVTA 25K)	NG01	PUS01				(PCS)
1	35601HM8101	35601HM8151	35601HM8151	35601HM8151	35601HM8151	35601HM8151	35601HM8151	35601HM8151	LAMP ASS`Y, FT turnsignal R	1		5
2	35602HM8101	35602HM8151	35602HM8151	35602HM8151	35602HM8151	35602HM8151	35602HM8151	35602HM8151	LAMP ASS`Y, FT turnsignal L	1		5
3	09471-12003	09471-12142	09471-12142	09471-12142	09471-12142	09471-12142	09471-12142	09471-12142	BULB, FT turnsignal lamp(12V,R10W)	2		
4	09160-06019	09160-06019	09160-06019	09160-06019	09160-06019	09160-06019	09160-06019	09160-06019	WASHER, FT turnsignal lamp	4		35
5	08316-26066	08316-26066	08316-26066	08316-26066	08316-26066	08316-26066	08316-26066	08316-26066	NUT, FT turnsignal lamp	4		
6	35603HM8101	35603HM8151	35603HM8151	35603HM8151	35603HM8151	35603HM8151	35603HM8151	35603HM8151	LAMP ASS`Y, RR turnsignal R	1		5
7	35604HM8101	35604HM8151	35604HM8151	35604HM8151	35604HM8151	35604HM8151	35604HM8151	35604HM8151	LAMP ASS`Y, RR turnsignal L	1		5
8	09471-12003	09471-12142	09471-12142	09471-12142	09471-12142	09471-12142	09471-12003	09471-12003	BULB, RR turnsignal lamp(12V, R10W)	2		
9	38610HL7300	38610HL7300	38610HL7300	38610HL7300	38610HL7300	38610HL7300	38610HL7300	38610HL7300	RELAY ASS`Y, turn signal	1		5
10	01517-06166	01517-06166	01517-06166	01517-06166	01517-06166	01517-06166	01517-06166	01517-06166	BOLT, turnsignal, relay	1		
11	35612HM8100	35612HM8100	35612HM8100	35612HM8100	35612HM8100	35612HM8100	35612HM8100	35612HM8100	LENS, FT turnsignal R	2		
12	35632HM8100	35632HM8100	35632HM8100	35632HM8100	35632HM8100	35632HM8100	35632HM8100	35632HM8100	LENS, FT turnsignal L	2		

FIG 28

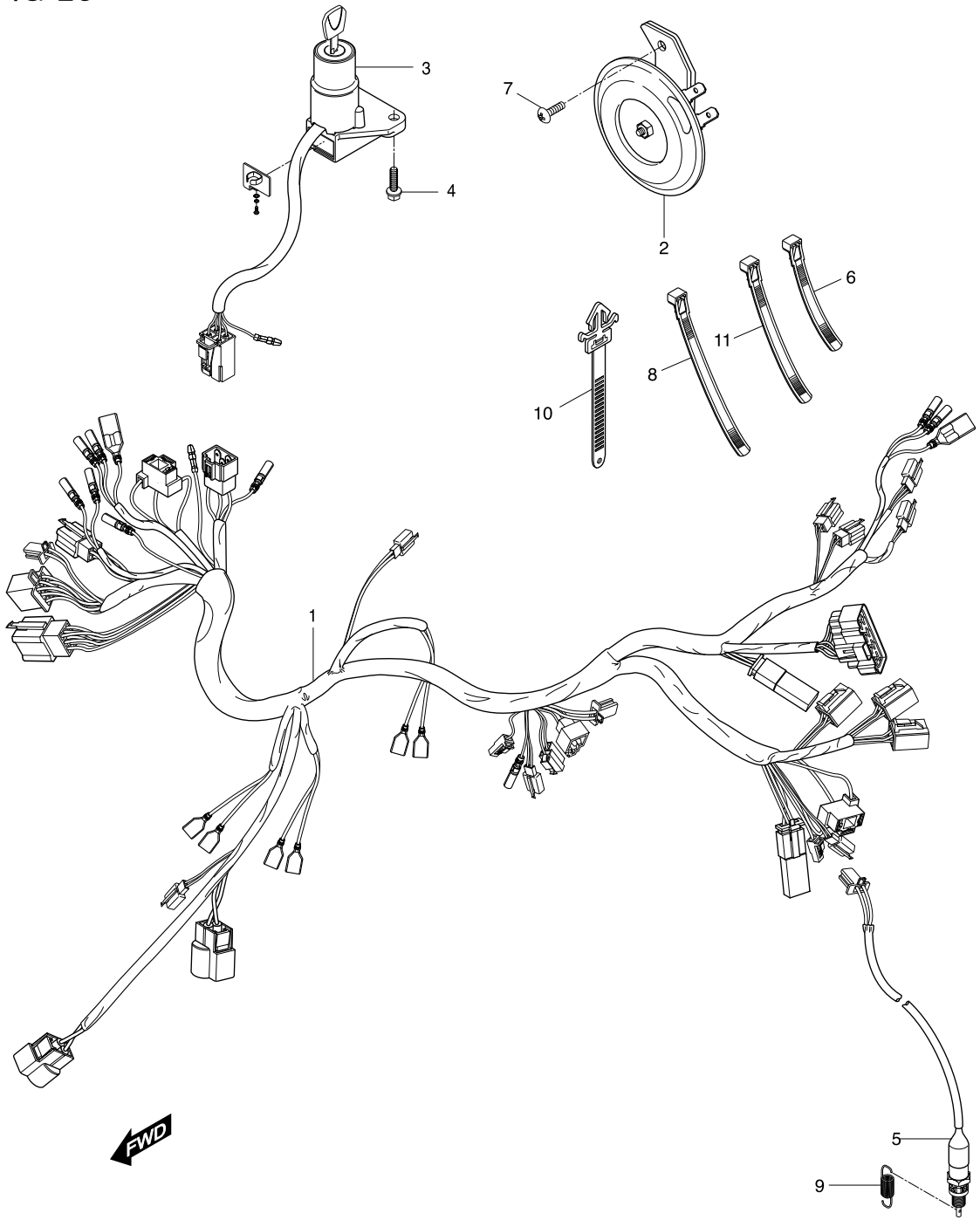


FIG 28. WIRING HARNESS

REF. PART NUMBER.									PART NAME	Q`TY	REMARKS	REC.Q`TY
NO.	DOMESTIC	NAT01	NAT02(25KW)	NEN01	NEU01(WVTA)	NEU02(WVTA 25K	NG01	PUS01				(PCS)
1	36610HN9101	36610HN9151	36610HN9151	36610HN9151	36610HN9151	36610HN9151	36610HN9151	36610HN9103	HARNESS, wiring	1		5
2	38500HM8101	38500HM8101	38500HM8101	38500HM8101	38500HM8101	38500HM8101	38500HM8101	38500HM8101	HORN ASS`Y	1		5
3	37000HM8130	37000HM8130	37000HM8130	37000HM8130	37000HM8130	37000HM8130	37000HM8130	37000HM8130	LOCK ASS`Y, steering	1		5
4	01517-06206	01517-06206	01517-06206	01517-06206	01517-06206	01517-06206	01517-06206	01517-06206	BOLT, steering lock	1		
4-1	09139H06016	09139H06016	09139H06016	09139H06016	09139H06016	09139H06016	09139H06016	09139H06016	SCREW,steer lock	1		5
5	37740HN9100	37740HN9100	37740HN9100	37740HN9100	37740HN9100	37740HN9100	37740HN9100	37740HN9100	SWITCH ASS`Y, rear stop	1		5
6	09407-14403	09407-14403	09407-14403	09407-14403	09407-14403	09407-14403	09407-14403	09407-14403	CLAMP, wiring harness	4		10
7	02112-36128	02112-36128	02112-36128	02112-36128	02112-36128	02112-36128	02112-36128	02112-36128	SCREW, horn	1		
8	09407-22402	09407-22402	09407-22402	09407-22402	09407-22402	09407-22402	09407-22402	09407-22402	CLAMP, wiring harness	1		25
9	09443H06006	09443H06006	09443H06006	09443H06006	09443H06006	09443H06006	09443H06006	09443H06006	SPRING	1		5
10												
11	09407-22402	09407-22402	09407-22402	09407-22402	09407-22402	09407-22402	09407-22402	09407-22402	CLAMP, wiring harness	2		

FIG 29

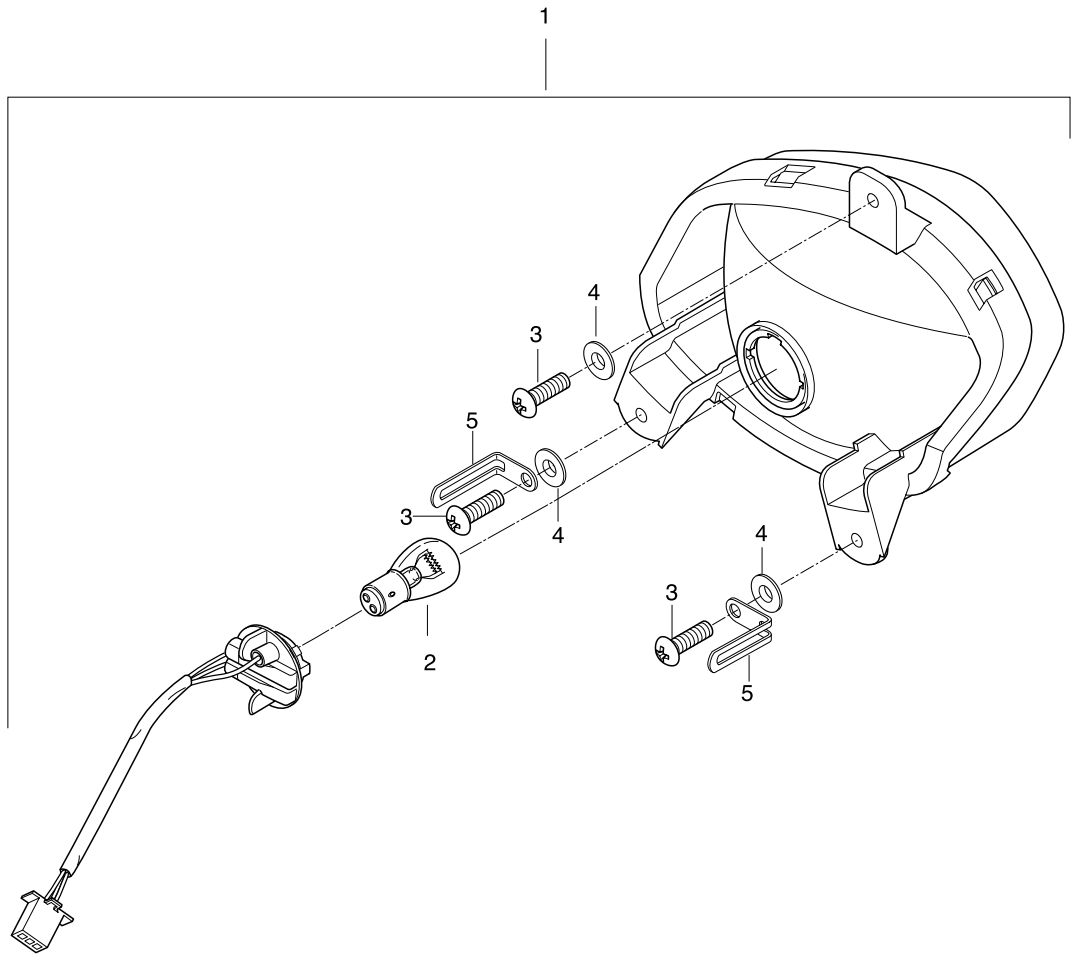


FIG 29. REAR COMBINATION

REF. PART NUMBER.									PART NAME	Q`TY	REMARKS	REC.Q`TY
NO.	DOMESTIC	NAT01	NAT02(25KW)	NEN01	NEU01(WVTA)	NEU02(WVTA 25K)	NG01	PUS01				(PCS)
1	35710HM8152	35710HM8152	35710HM8152	35710HM8152	35710HM8152	35710HM8152	35710HM8152	35710HM8152	LAMP ASS`Y, tail & stop	1		5
2	09471-12047	09471-12047	09471-12047	09471-12047	09471-12047	09471-12047	09471-12047	09471-12047	BULB, tail & stop(12V P21/5W)	1		
3	03241-05166	03241-05166	03241-05166	03241-05166	03241-05166	03241-05166	03241-05166	03241-05166	SCREW, tail & stop	3		15
4	09160-05017	09160-05017	09160-05017	09160-05017	09160-05017	09160-05017	09160-05017	09160-05017	WASHER, tail & stop	3		15
5	09404-06401	09404-06401	09404-06401	09404-06401	09404-06401	09404-06401	09404-06401	09404-06401	CLAMP, tail & stop	2		20

FIG 30

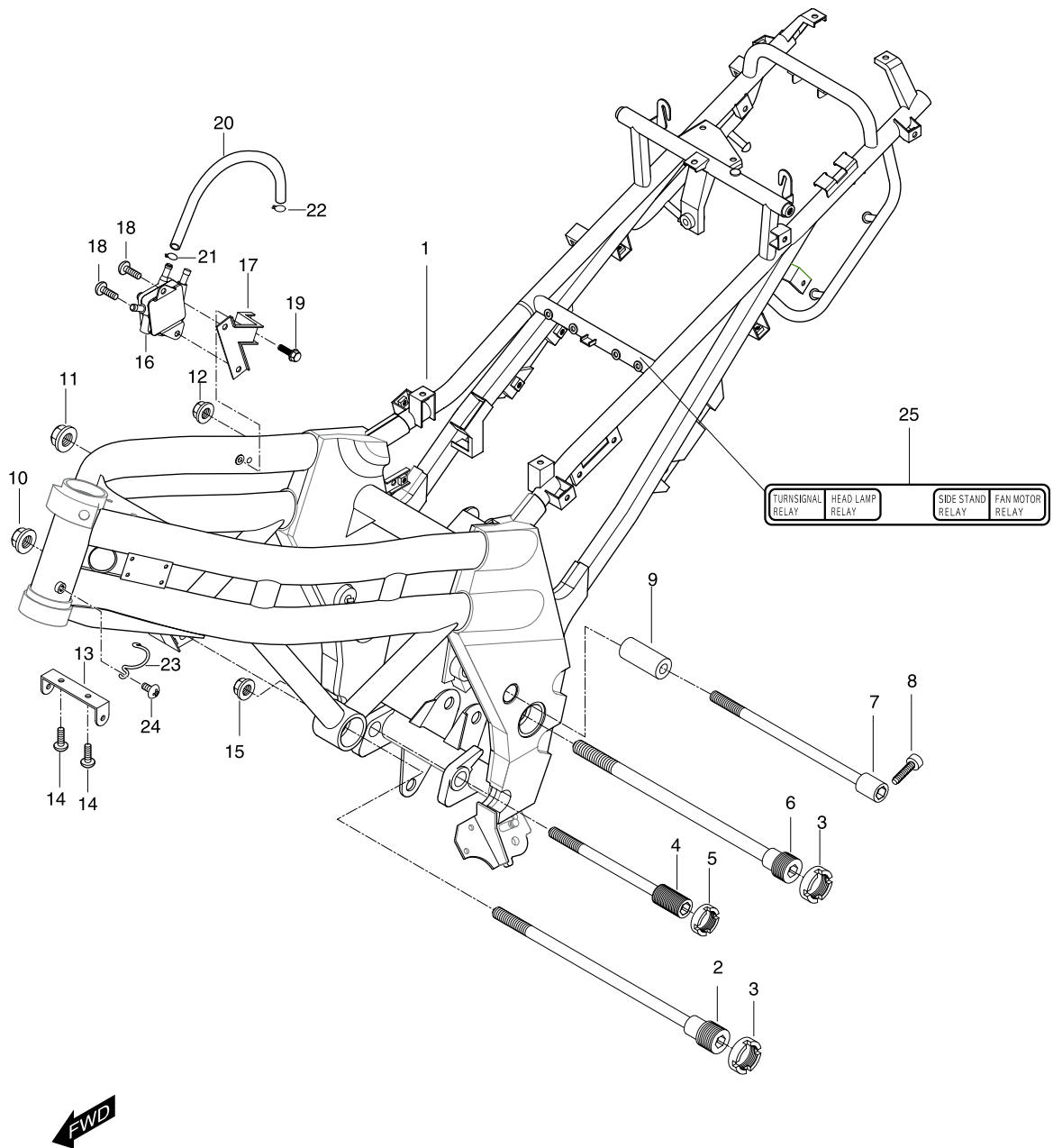
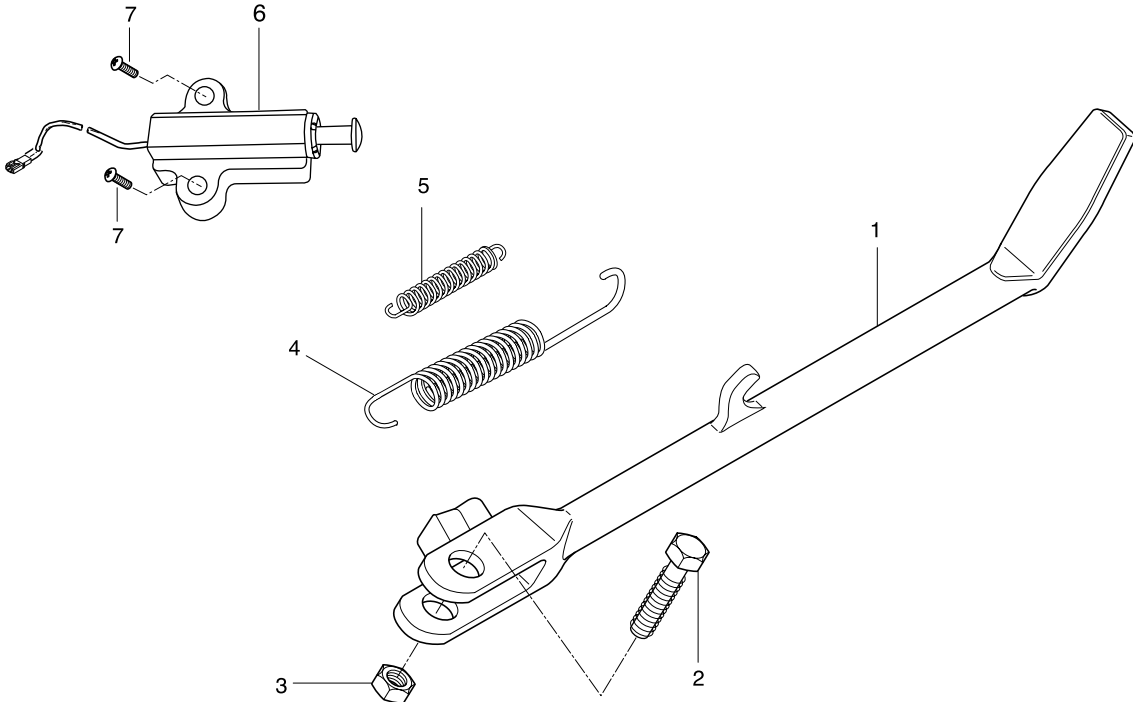


FIG 30. FRAME

REF. PART NO.	NUMBER.							PART NAME	Q'TY	REMARKS	REC.Q'TY (PCS)
DOMESTIC	NAT01	NAT02(25KW)	NEN01	NEU01(WVTA)	NEU02(WVTA 25K)	NG01	PUS01				
1	41100HN910103P	41100HN910103P	41100HN910103P	41100HN910103P	41100HN910103P	41100HN910103P	41100HN910103P	41100HN916103P	FRAME COMP	1	5
2	41165HN9101	41165HN9101	41165HN9101	41165HN9101	41165HN9101	41165HN9101	41165HN9101	41165HN9101	SHAFT, engine mounting link	1	5
3	09141H26001	09141H26001	09141H26001	09141H26001	09141H26001	09141H26001	09141H26001	09141H26001	LOCK NUT, engine mounting link & shaft	1	10
4	41191HN9101	41191HN9101	41191HN9101	41191HN9101	41191HN9101	41191HN9101	41191HN9101	41191HN9101	SHAFT, engine mounting RR lower	2	5
5	09141H20001	09141H20001	09141H20001	09141H20001	09141H20001	09141H20001	09141H20001	09141H20001	LOCK NUT, engine mounting RR lower	1	5
6	61211HN9101	61211HN9101	61211HN9101	61211HN9101	61211HN9101	61211HN9101	61211HN9101	61211HN9101	SHAFT, RR swingingarm pivot	1	5
7	41181HN9101	41181HN9101	41181HN9101	41181HN9101	41181HN9101	41181HN9101	41181HN9101	41181HN9101	SHAFT, engine mounting RR upper	1	5
8	07110-08258	07110-08258	07110-08258	07110-08258	07110-08258	07110-08258	07110-08258	07110-08258	BOLT, frame & engine mounting adjuster	1	55
9	41185HN9100	41185HN9100	41185HN9100	41185HN9100	41185HN9100	41185HN9100	41185HN9100	41185HN9100	SPACER, frame & engine rear upper(L=49)	1	5
10	08319-31128	08319-31128	08319-31128	08319-31128	08319-31128	08319-31128	08319-31128	08319-31128	NUT, engine mounting link & shaft	1	10
11	08319-31108	08319-31108	08319-31108	08319-31108	08319-31108	08319-31108	08319-31108	08319-31108	NUT, frame & engine RR upper	1	20
12	09141H26001	09141H26001	09141H26001	09141H26001	09141H26001	09141H26001	09141H26001	09141H26001	NUT, RR swingingarm pivot	1	
13	41772HN9101	41772HN9101	41772HN9101	41772HN9101	41772HN9101	41772HN9101	41772HN9101	41772HN9101	BRKT, radiator upper	1	5
14	01517-06125	01517-06125	01517-06125	01517-06125	01517-06125	01517-06125	01517-06125	01517-06125	SCREW, radiator upper brkt	1	15
15	08319-31108	08319-31108	08319-31108	08319-31108	08319-31108	08319-31108	08319-31108	08319-31108	NUT, frame & engine RR lower	2	
16	15100HG5100	15100HG5100	15100HG5100	15100HG5100	15100HG5100	15100HG5100	15100HG5100	15100HG5100	PUMP ASS'Y, fuel	1	5
17	41351HN9100	41351HN9100	41351HN9100	41351HN9100	41351HN9100	41351HN9100	41351HN9100	41351HN9100	BRKT, fuel pump	1	5
18	02142-06126	02142-06126	02142-06126	02142-06126	02142-06126	02142-06126	02142-06126	02142-06126	SCREW, fuel pump	1	10
19	01517-06125	01517-06125	01517-06125	01517-06125	01517-06125	01517-06125	01517-06125	01517-06125	BOLT, fuel pump brkt	2	
20	44199HL7302	44199HL7302	44199HL7302	44199HL7302	44199HL7302	44199HL7302	44199HL7302	44199HL7302	HOSE, fuel pump & carburetor vacuum(L=3:	1	5
21	09401-10401	09401-10401	09401-10401	09401-10401	09401-10401	09401-10401	09401-10401	09401-10401	CLIP, fuel pump vacuum	1	20
22	09401-08401	09401-08401	09401-08401	09401-08401	09401-08401	09401-08401	09401-08401	09401-08401	CLIP, carburetor vacuum	1	25
23	41495HN9101	41495HN9101	41495HN9101	41495HN9101	41495HN9101	41495HN9101	41495HN9101	41495HN9101	GUIDE CLAMP, harness	1	5
24	01514-06106	01514-06106	01514-06106	01514-06106	01514-06106	01514-06106	01514-06106	01514-06106	BOLT, harness guide clamp	1	10
25	68160HN9100	68160HN9100	68160HN9100	68160HN9100	68160HN9100	68160HN9100	68160HN9100	68160HN9100	LABEL, relay	1	5

FIG 31



FWD

FIG 31. PROP STAND

REF. PART NO.	NUMBER.								PART NAME	Q'TY	REMARKS	REC.Q'TY (PCS)
	DOMESTIC	NAT01	NAT02(25KW)	NEN01	NEU01(WVTA)	NEU02(WVTA 25K)	NG01	PUS01				
1	42310HN910003P	42310HN910003P	42310HN910003P	42310HN910003P	42310HN910003P	42310HN910003P	42310HN910003P	42310HN910003P	STAND COMP, prop	1		5
1~1				42310HN9150120	42310HN9150120	42310HN9150120	42310HN9150120		STAND COMP, prop	1	KM4MP51A961103550~	5
2	09100-10031	09100-10031	09100-10031	09100-10031	09100-10031	09100-10031	09100-10031	09100-10031	BOLT, prop stand	1		5
3	08310-22106	08310-22106	08310-22106	08310-22106	08310-22106	08310-22106	08310-22106	08310-22106	NUT, prop stand	1		5
4	09443-15047	09443-15047	09443-15047	09443-15047	09443-15047	09443-15047	09443-15047	09443-15047	SPRING, prop stand outter	1		5
5	09443-06001	09443-06001	09443-06001	09443-06001	09443-06001	09443-06001	09443-06001	09443-06001	SPRING, prop stand inner	1		5
6	37840HN9102	37840HN9102	37840HN9102	37840HN9102	37840HN9102	37840HN9102	37840HN9102	37840HN9102	SWITCH ASS'Y, side stand	1		5
7	01517-06205	01517-06205	01517-06205	01517-06205	01517-06205	01517-06205	01517-06205	01517-06205	BOLT, side stand	2		10

FIG 32

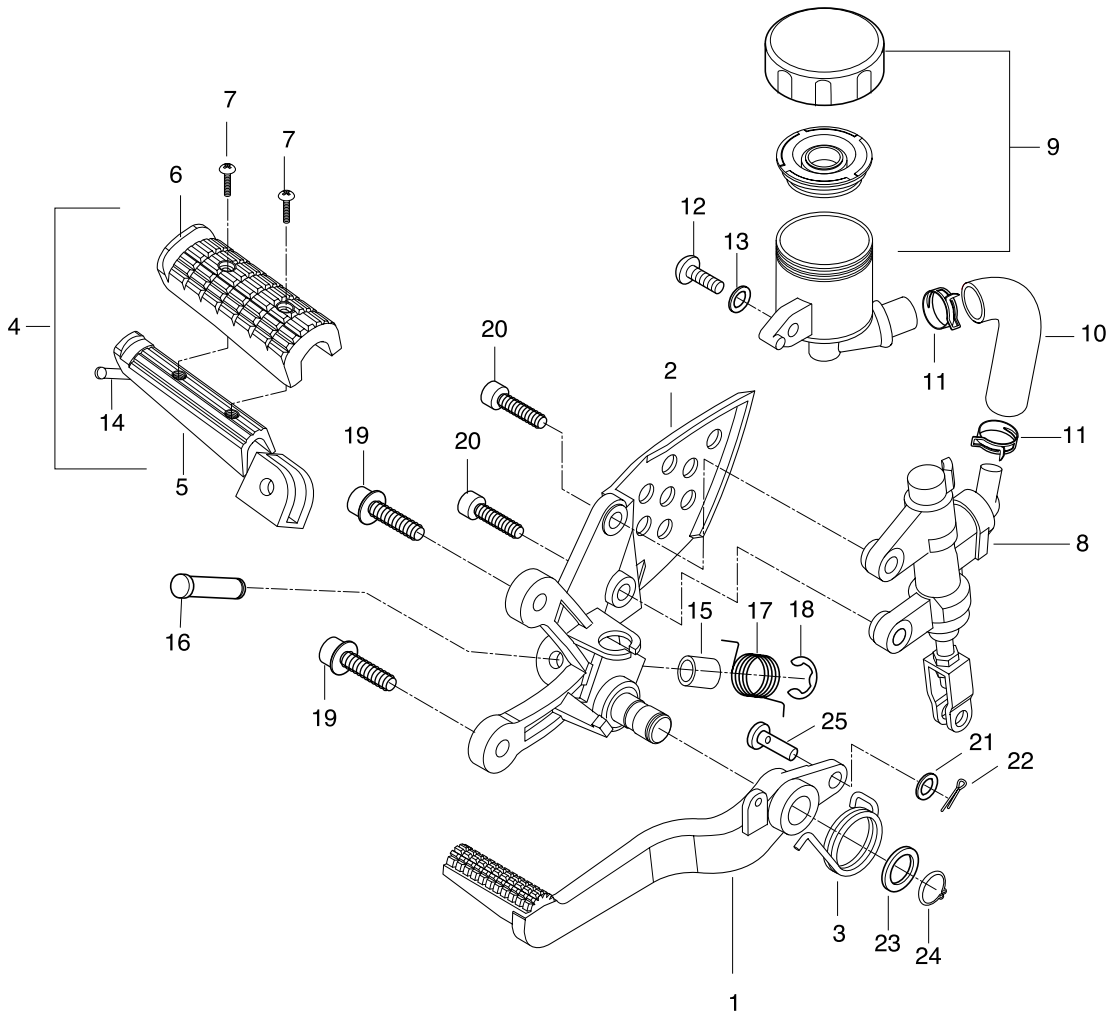


FIG 32. REAR BRAKE

REF. PART NO.	NUMBER. DOMESTIC	NAT01	NAT02(25KW)	NEN01	NEU01(WVTA)	NEU02(WVTA 25K)	NG01	PUS01	PART NAME	Q'TY	REMARKS	REC.Q'TY (PCS)
1	43110HM810003P	43110HM810003P	43110HM810003P	43110HM810003P	43110HM810003P	43110HM810003P	43110HM810003P	43110HM810003P	PEDAL COMP, brake	1		5
2	43530HM810503P	43530HM810503P	43530HM810503P	43530HM810503P	43530HM810503P	43530HM810503P	43530HM810503P	43530HM810503P	BRACKET COMP, front footrest R	1	~ KM4MP52A241100049	5
2~1	43530HM810603P	43530HM810603P	43530HM810603P	43530HM810603P	43530HM810603P	43530HM810603P	43530HM810603P	43530HM810603P	BRACKET COMP, front footrest R	1	KM4MP52A241100050 ~	5
3	09448H30002	09448H30002	09448H30002	09448H30002	09448H30002	09448H30002	09448H30002	09448H30002	SPRING, brake pedal return	1		5
4	43560HM8100	43560HM8100	43560HM8100	43560HM8100	43560HM8100	43560HM8100	43560HM8100	43560HM8100	FOOTREST ASS'Y, front R	1		5
5	43561HM8100	43561HM8100	43561HM8100	43561HM8100	43561HM8100	43561HM8100	43561HM8100	43561HM8100	FOOTREST, bar front R	1		5
6	43530H30A40	43530H30A40	43530H30A40	43530H30A40	43530H30A40	43530H30A40	43530H30A40	43530H30A40	RUBBER COMP, front footrest R	1		5
7	02112-05126	02112-05126	02112-05126	02112-05126	02112-05126	02112-05126	02112-05126	02112-05126	SCREW, front footrest	2		5
8	69609HN9100	69609HN9100	69609HN9100	69609HN9100	69609HN9100	69609HN9100	69609HN9100	69609HN9100	CYLINDER ASS'Y rear master	1		5
9	69740HM8100	69740HM8100	69740HM8100	69740HM8100	69740HM8100	69740HM8100	69740HM8100	69740HM8100	TANK ASS'Y reserver	1		5
10	69700HM8101	69700HM8101	69700HM8101	69700HM8101	69700HM8101	69700HM8101	69700HM8101	69700HM8101	HOSE ASS'Y reserver	1		5
11	09400H13001	09400H13001	09400H13001	09400H13001	09400H13001	09400H13001	09400H13001	09400H13001	CLMAP, reserver tank hose	2		5
12	01517-06168	01517-06168	01517-06168	01517-06168	01517-06168	01517-06168	01517-06168	01517-06168	BOLT, reserver tank	1		5
13									WASHER, reserver tank	1	NOT SALE	
14	43533H30A40	43533H30A40	43533H30A40	43533H30A40	43533H30A40	43533H30A40	43533H30A40	43533H30A40	BOLT, front footrest bar	1		
15	09180H08008	09180H08008	09180H08008	09180H08008	09180H08008	09180H08008	09180H08008	09180H08008	SPACER, front footrest	1		10
16	43579HM8101	43579HM8101	43579HM8101	43579HM8101	43579HM8101	43579HM8101	43579HM8101	43579HM8101	PIN, front footrest	1		10
17	09448H14007	09448H14007	09448H14007	09448H14007	09448H14007	09448H14007	09448H14007	09448H14007	SPRING, front footrest	1		10
18	08332-11079	08332-11079	08332-11079	08332-11079	08332-11079	08332-11079	08332-11079	08332-11079	E-RING, front footrest	1		10
19	07120-08258	07120-08258	07120-08258	07120-08258	07120-08258	07120-08258	07120-08258	07120-08258	BOLT, front footrest bracket	2		40
20	07120-08258	07120-08258	07120-08258	07120-08258	07120-08258	07120-08258	07120-08258	07120-08258	BOLT, master cylinder	2		40
21	08322-21068	08322-21068	08322-21068	08322-21068	08322-21068	08322-21068	08322-21068	08322-21068	WASHER, rear master cylinder	1		5
22	04111-20208	04111-20208	04111-20208	04111-20208	04111-20208	04111-20208	04111-20208	04111-20208	COTTER PIN, rear master cylinder	1		10
23	09160H15002	09160H15002	09160H15002	09160H15002	09160H15002	09160H15002	09160H15002	09160H15002	WASHER, brake pedal	1		10
24	08331-31159	08331-31159	08331-31159	08331-31159	08331-31159	08331-31159	08331-31159	08331-31159	CIRCLIP, brake pedal	1		10
25	09200H06040	09200H06040	09200H06040	09200H06040	09200H06040	09200H06040	09200H06040	09200H06040	PIN, rear master cylinder	1		5

FIG 33

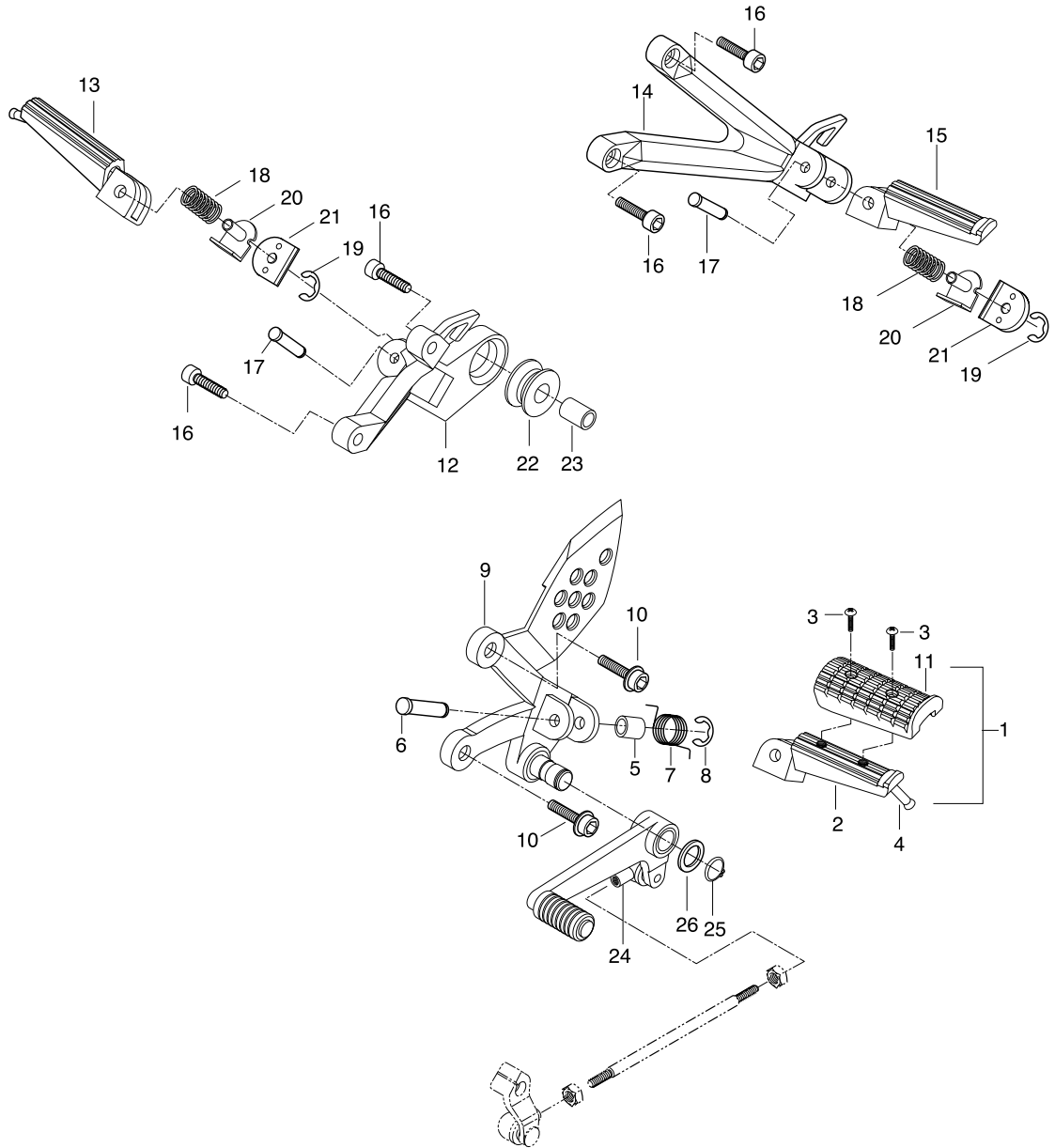


FIG 33. FOOTREST

REF. PART NO.	NUMBER. DOMESTIC	NAT01	NAT02(25KW)	NEN01	NEU01(WVTA)	NEU02(WVTA 25K)	NG01	PUS01	PART NAME	Q'TY	REMARKS	REC.Q'TY (PCS)
1	43570HM8100	43570HM8100	43570HM8100	43570HM8100	43570HM8100	43570HM8100	43570HM8100	43570HM8100	FOOTREST ASS'Y, front L	1		5
2	43571HM8100	43571HM8100	43571HM8100	43571HM8100	43571HM8100	43571HM8100	43571HM8100	43571HM8100	FOOTREST BAR, front L	1		
3	02112-05126	02112-05126	02112-05126	02112-05126	02112-05126	02112-05126	02112-05126	02112-05126	SCREW, front footrest	2		
4	43533H30A40	43533H30A40	43533H30A40	43533H30A40	43533H30A40	43533H30A40	43533H30A40	43533H30A40	BOLT, front footrest bar	1		
5	09180H08008	09180H08008	09180H08008	09180H08008	09180H08008	09180H08008	09180H08008	09180H08008	SPACER, front footrest	1		
6	43579HM8101	43579HM8101	43579HM8101	43579HM8101	43579HM8101	43579HM8101	43579HM8101	43579HM8101	PIN, front footrest bar	1		
7	09448H14007	09448H14007	09448H14007	09448H14007	09448H14007	09448H14007	09448H14007	09448H14007	SPRING, front footrest	1		
8	08332-11079	08332-11079	08332-11079	08332-11079	08332-11079	08332-11079	08332-11079	08332-11079	E-RING, front footrest	1		
9	43540HM810303P	43540HM810303P	43540HM810303P	43540HM810303P	43540HM810303P	43540HM810303P	43540HM810303P	43540HM810303P	BRACKET COMP, front footrest L	1	~ KM4MP52A241100049	5
9~1	43540HN910103P	43540HN910103P	43540HN910103P	43540HN910103P	43540HN910103P	43540HN910103P	43540HN910103P	43540HN910103P	BRACKET COMP, front footrest L	1	KM4MP52A241100050 ~	5
10	07120-08258	07120-08258	07120-08258	07120-08258	07120-08258	07120-08258	07120-08258	07120-08258	BOLT, front footrest bracket	2		
11	43532H30A40	43532H30A40	43532H30A40	43532H30A40	43532H30A40	43532H30A40	43532H30A40	43532H30A40	RUBBER, front footrest	1		
12	43621HM810303P	43621HM810303P	43621HM810303P	43621HM810303P	43621HM810303P	43621HM810303P	43621HM810303P	43621HM810303P	BRACKET, pillion footrest R	1		5
12-1	43621HM810403P	43621HM810403P	43621HM810403P	43621HM810403P	43621HM810403P	43621HM810403P	43621HM810403P	43621HM810403P	BRACKET, pillion footrest R	1		
13	43661HM8101	43661HM8101	43661HM8101	43661HM8101	43661HM8101	43661HM8101	43661HM8101	43661HM8101	FOOTREST BAR, pillion R	1		5
14	43721HM810303P	43721HM810303P	43721HM810303P	43721HM810303P	43721HM810303P	43721HM810303P	43721HM810303P	43721HM810303P	BRACKET, pillion footrest L	1		5
14-1	43721HM810403P	43721HM810403P	43721HM810403P	43721HM810403P	43721HM810403P	43721HM810403P	43721HM810403P	43721HM810403P	BRACKET, pillion footrest L	1		5
15	43671HM8101	43671HM8101	43671HM8101	43671HM8101	43671HM8101	43671HM8101	43671HM8101	43671HM8101	FOOTREST BAR, pillion L	1		5
16	07120-08258	07120-08258	07120-08258	07120-08258	07120-08258	07120-08258	07120-08258	07120-08258	BOLT, pillion footrest bracket	4		
17	43679HM8101	43679HM8101	43679HM8101	43679HM8101	43679HM8101	43679HM8101	43679HM8101	43679HM8101	PIN, pillion footrest	2		10
18	09448H08008	09448H08008	09448H08008	09448H08008	09448H08008	09448H08008	09448H08008	09448H08008	SPRING, pillion footrest	2		10
19	08332-11048	08332-11048	08332-11048	08332-11048	08332-11048	08332-11048	08332-11048	08332-11048	E-RING, pillion footrest	2		10
20	43631HM8101	43631HM8101	43631HM8101	43631HM8101	43631HM8101	43631HM8101	43631HM8101	43631HM8101	PLATE, pillion stopper No.1	2		10
21	43641HM8101	43641HM8101	43641HM8101	43641HM8101	43641HM8101	43641HM8101	43641HM8101	43641HM8101	PLATE, pillion stopper No.2	2		10
22	09320-14015	09320-14015	09320-14015	09320-14015	09320-14015	09320-14015	09320-14015	09320-14015	CUSHION, muffler support	1		5
23	09180-10044	09180-10044	09180-10044	09180-10044	09180-10044	09180-10044	09180-10044	09180-10044	SPACER, muffler support	1		5
24	25609HN910003P	25609HN915003P	25609HN915003P	25609HN915003P	25609HN915003P	25609HN915003P	25609HN915003P	25609HN915003P	LEVER COMP, gear shift cam	1		5
24~1	25609HN910103P	25609HN910103P	25609HN910103P	25609HN910103P	25609HN910103P	25609HN910103P	25609HN910103P	25609HN910103P	LEVER COMP, gear shift cam	1	KM4MP52A241100050 ~	5
25	08331-31159	08331-31159	08331-31159	08331-31159	08331-31159	08331-31159	08331-31159	08331-31159	CIRCLIP, gear shift lever	1		10
26	09160H15002	09160H15002	09160H15002	09160H15002	09160H15002	09160H15002	09160H15002	09160H15002	WASHER, gear shift lever	1		10

FIG 34

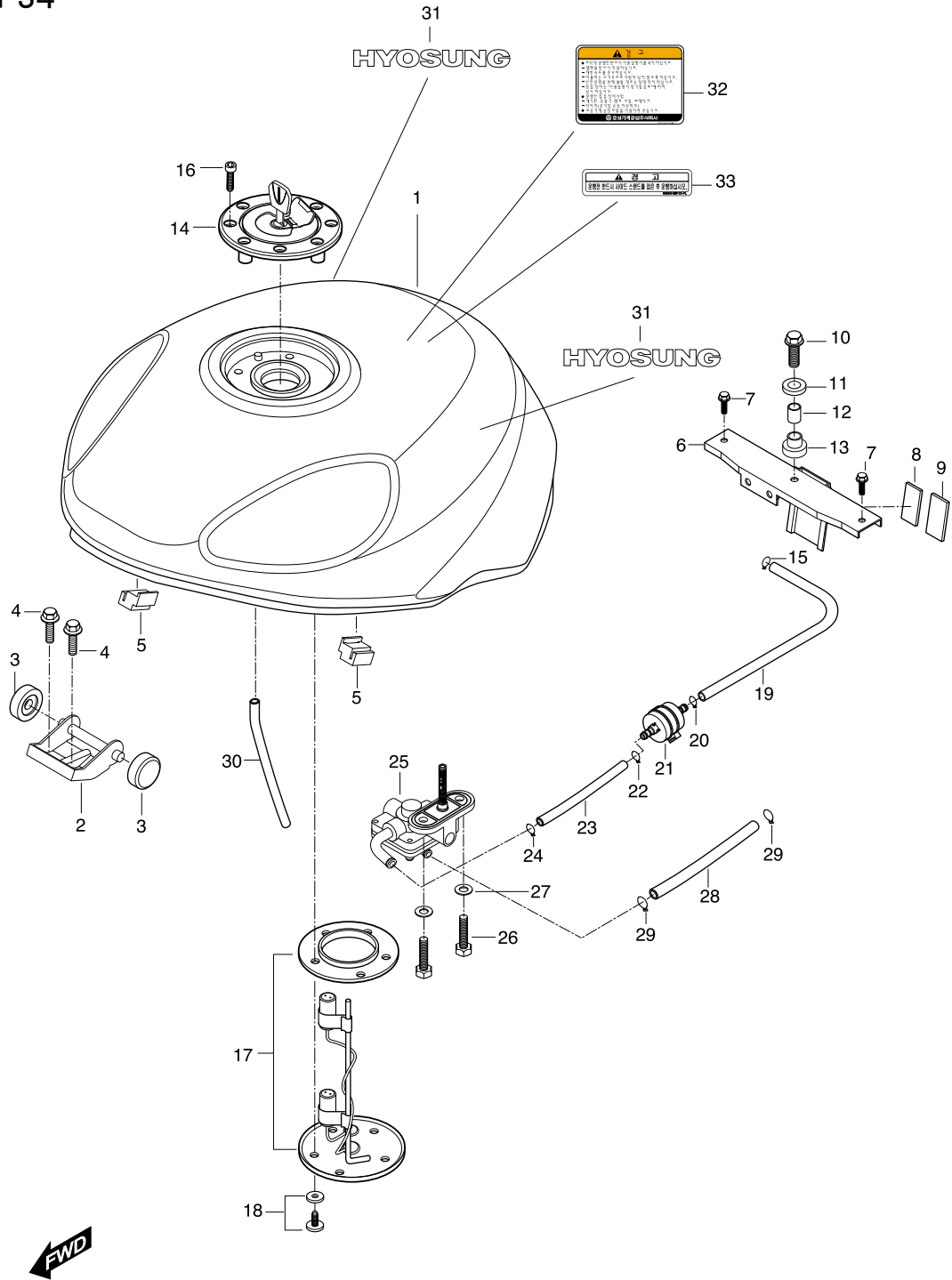


FIG 34. FUEL TANK

REF. PART NO.	NUMBER.	NAT01	NAT02(25KW)	NEN01	NEU01(WVTA)	NEU02(WVTA 25K)	NG01	PUS01	PART NAME	Q'TY	REMARKS	REC.Q'TY (PCS)
0	44110HN9100	44110HN9100	44110HN9100	44110HN9100	44110HN9100	44110HN9100	44110HN9160	44110HN9190	TANK COMP, fuel(color),CDB,CMB,CMO,	1		5
1	44110SN9100	44110SN9150	44110SN9150	44110SN9150	44110SN9150	44110SN9150	44110SN9160	44110SN9190	TANK COMP, fuel(color),ODB,0MB,0MO	1		
2	44520HM8100	44520HM8100	44520HM8100	44520HM8100	44520HM8100	44520HM8100	44520HM8100	44520HM8100	BRKT COMP, fuel tank front	1		5
3	09329-10007	09329-10007	09329-10007	09329-10007	09329-10007	09329-10007	09329-10007	09329-10007	CUSHION, fuel tank inner front	2		10
4	01517-06166	01517-06166	01517-06166	01517-06166	01517-06166	01517-06166	01517-06166	01517-06166	BOLT, fuel tank front brkt	2		
5	09329H28001	09329H28001	09329H28001	09329H28001	09329H28001	09329H28001	09329H28001	09329H28001	CUSHION, fuel tank side	2		10
6	44530HM8100	44530HM8100	44530HM8100	44530HM8100	44530HM8100	44530HM8100	44530HM8100	44530HM8100	BRKT COMP, fuel tank RR	1		5
7	01517-06206	01517-06206	01517-06206	01517-06206	01517-06206	01517-06206	01517-06206	01517-06206	BOLT, fuel tank RR brkt	2		
8	44613HE7100	44613HE7100	44613HE7100	44613HE7100	44613HE7100	44613HE7100	44613HE7100	44613HE7100	CUSHION, fuel tank RR brkt & battery	1		5
9	44218HF4500	44218HF4500	44218HF4500	44218HF4500	44218HF4500	44218HF4500	44218HF4500	44218HF4500	CUSHION, fuel tank RR brkt & battery	1		10
10	09116H08078	09116H08078	09116H08078	09116H08078	09116H08078	09116H08078	09116H08078	09116H08078	BOLT, fuel tank RR	1		5
11	09320-14013	09320-14013	09320-14013	09320-14013	09320-14013	09320-14013	09320-14013	09320-14013	CUSHION, fuel tank RR up	1		5
12	09180H08007	09180H08007	09180H08007	09180H08007	09180H08007	09180H08007	09180H08007	09180H08007	SPACER, fuel tank RR cushion	1		5
13	09320H10020	09320H10020	09320H10020	09320H10020	09320H10020	09320H10020	09320H10020	09320H10020	CUSHION, fuel tank RR lower	1		5
14	44200H35C10	44200H35C10	44200H35C10	44200H35C10	44200H35C10	44200H35C10	44200H35C10	44200H35C10	CAP ASS'Y, fuel tank filler	1		
15	09401H11401	09401H11401	09401H11401	09401H11401	09401H11401	09401H11401	09401H11401	09401H11401	CLIP, strainer outlet & fuel pump	1		10
16	09106-05017	09106-05017	09106-05017	09106-05017	09106-05017	09106-05017	09106-05017	09106-05017	BOLT, fuel tank filler	4		20
17	34810HN9101	34810HN9101	34810HN9101	34810HN9101	34810HN9101	34810HN9101	34810HN9101	34810HN9101	GAUGE ASS'Y, fuel lever	1		5
18	01134-05106	01134-05106	01134-05106	01134-05106	01134-05106	01134-05106	01134-05106	01134-05106	BOLT, fuel level gauge	5		25
19	44199H11202	44199H11202	44199H11202	44199H11202	44199H11202	44199H11202	44199H11202	44199H11202	HOSE, fuel strainer outlet(L=170)	1		5
20	09401-10401	09401-10401	09401-10401	09401-10401	09401-10401	09401-10401	09401-10401	09401-10401	CLIP, fuel strainer outlet	1		
21	44910HG2600	44910HG2600	44910HG2600	44910HG2600	44910HG2600	44910HG2600	44910HG2600	44910HG2600	STRAINER COMP, fuel	1		5
22	09401-08401	09401-08401	09401-08401	09401-08401	09401-08401	09401-08401	09401-08401	09401-08401	CLIP, fuel strainer inlet NO.2	1		
23	44197HE6102	44197HE6102	44197HE6102	44197HE6102	44197HE6102	44197HE6102	44197HE6102	44197HE6102	HOSE, fuel strainer inlet	1		5
24	09401-10401	09401-10401	09401-10401	09401-10401	09401-10401	09401-10401	09401-10401	09401-10401	CLIP, fuel strainer inlet NO.2	1		
25	44300HN9100	44300HN9100	44300HN9100	44300HN9100	44300HN9100	44300HN9100	44300HN9100	44300HN9100	COCK ASS'Y, fuel	1		5
26	09128-06035	09128-06035	09128-06035	09128-06035	09128-06035	09128-06035	09128-06035	09128-06035	BOLT, fuel cock	2		
27	09168-06010	09168-06010	09168-06010	09168-06010	09168-06010	09168-06010	09168-06010	09168-06010	GASKET, fuel cock	2		10
28	44197HE6102	44197HE6102	44197HE6102	44197HE6102	44197HE6102	44197HE6102	44197HE6102	44197HE6102	HOSE, fuel cock vacuum & intake pipe(L=32	1		
29	09401-08401	09401-08401	09401-08401	09401-08401	09401-08401	09401-08401	09401-08401	09401-08401	CLIP, fuel cock & intake (L=320)	2		
30	09352H70103650	09352H70103650	09352H70103650	09352H70103650	09352H70103650	09352H70103650	09352H70103650	09352H70103650	HOSE, fuel tank drain (L=650)	1		5
31	68120HN9100	68120HN9100	68120HN9100	68120HN9100	68120HN9100	68120HN9100	68120HN9100	68120HN9100	EMBLEM, color(015=>0DB,03P=>0MB,10I	2		
31-1							68144HM7950		EM,F/TANK R (015=DB,MB,120=0MO	1		
31-2							68146HM7950		EM,F/TANK L (015=DB,MB,120=0MO	1		
32	68319H05300PL	68319H05350PL	68319H05350PL	68319H05350PL	68319H05350PL	68319H05350PL	68319H05370PL	68319H05350PL	PLATE, CAUTION	1		5
33	68360HG5100PL								LABLE, side stand	1	NOT SALE	

FIG 35

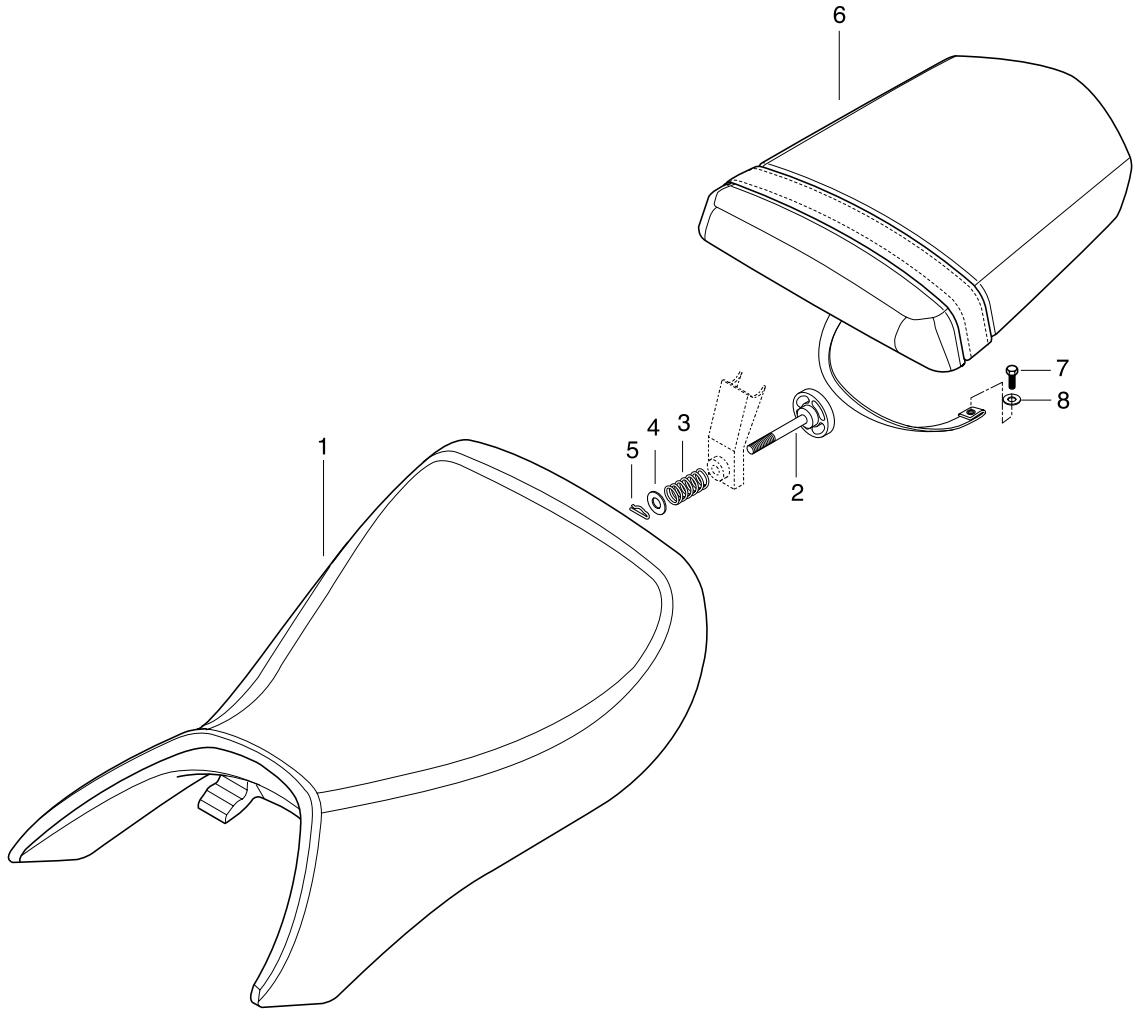


FIG 35. SEAT

REF. PART NO.	NUMBER.								PART NAME	Q`TY	REMARKS	REC.Q`TY (PCS)
DOMESTIC	NAT01	NAT02(25KW)	NEN01	NEU01(WVTA)	NEU02(WVTA 25K)	NG01	PUS01					
1	45110HN9100	45110HN9100	45110HN9100	45110HN9100	45110HN9100	45110HN9100	45110HN9100	45110HN9100	SEAT SET, front	1		5
2	45120HM8101	45120HM8101	45120HM8101	45120HM8101	45120HM8101	45120HM8101	45120HM8101	45120HM8101	KNOB COMP, seat front	1		5
3	09440-11016	09440-11016	09440-11016	09440-11016	09440-11016	09440-11016	09440-11016	09440-11016	SPRING, seat front knob	1		5
4	08322-11088	08322-11088	08322-11088	08322-11088	08322-11088	08322-11088	08322-11088	08322-11088	WASHER, seat front knob	1		15
5	04111-20208	04111-20208	04111-20208	04111-20208	04111-20208	04111-20208	04111-20208	04111-20208	PIN, seat front knob	1		
6	45200HN9100	45200HN9100	45200HN9100	45200HN9100	45200HN9100	45200HN9100	45200HN9100	45200HN9100	SEAT SET, rear	1		5
7	01517-06206	01517-06206	01517-06206	01517-06206	01517-06206	01517-06206	01517-06206	01517-06206	BOLT, rear seat	1		
8	09160-06057	09160-06057	09160-06057	09160-06057	09160-06057	09160-06057	09160-06057	09160-06057	WASHER, rear seat	1		5

FIG 36

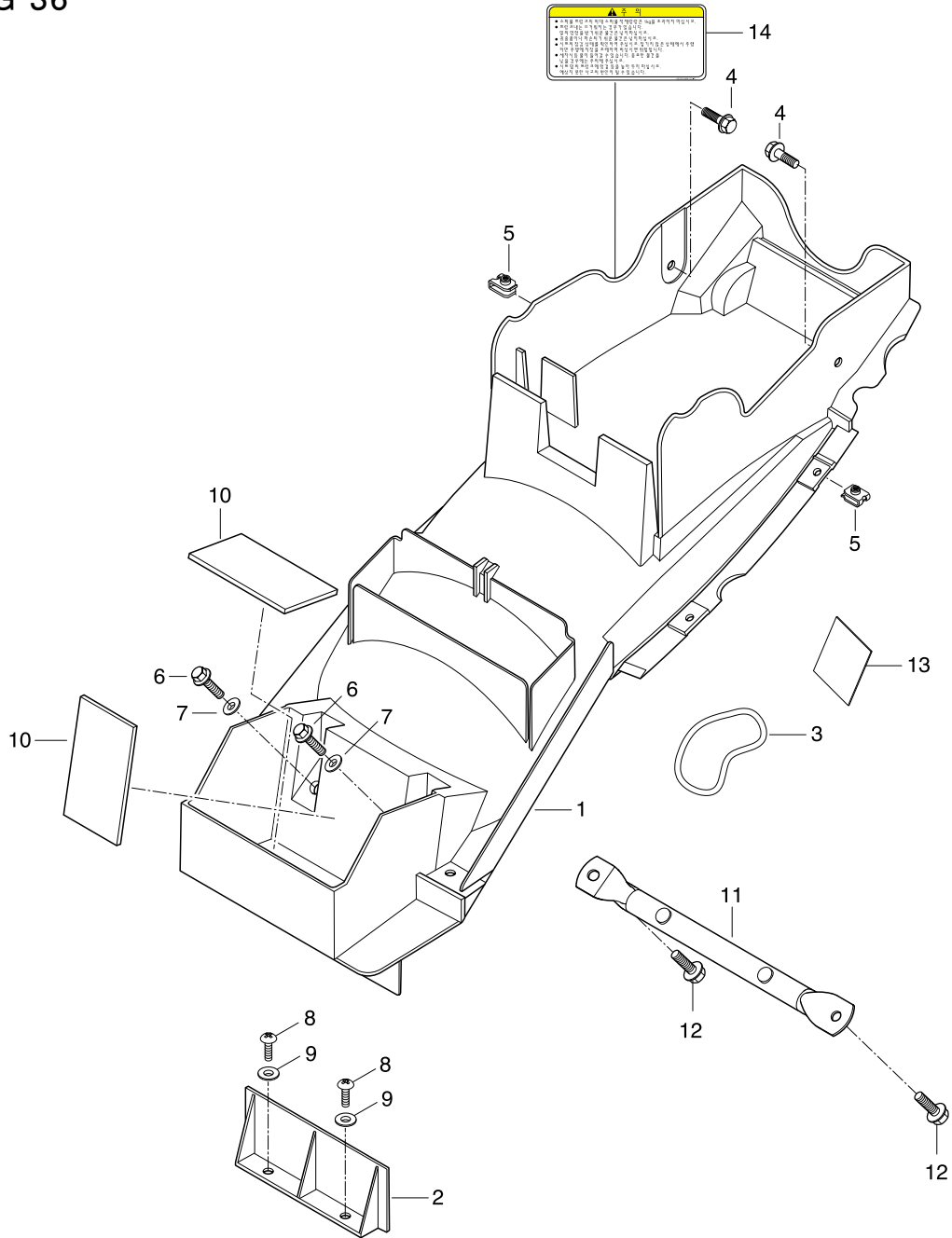


FIG 36. REAR FENDER

REF. PART NO.	NUMBER.	NAT01	NAT02(25KW)	NEN01	NEU01(WVTA)	NEU02(WVTA 25K)	NG01	PUS01	PART NAME	Q'TY	REMARKS	REC.Q'TY (PCS)
1	63112HM810212A	63112HM810212A	63112HM810212A	63112HM810212A	63112HM810212A	63112HM810212A	63112HM810212A		FENDER, rear front			5
1-1	63112HM810312A	63112HM810312A	63112HM810312A	63112HM810312A	63112HM810312A	63112HM810312A	63112HM810312A	63112HM810312A	FENDER, rear front	1		
2	63113HM810112A	63113HM810112A	63113HM810112A	63113HM810112A	63113HM810112A	63113HM810112A	63113HM810112A	63113HM810112A	FENDER, rear lower	1		5
3	09280-63003	09280-63003	09280-63003	09280-63003	09280-63003	09280-63003	09280-63003	09280-63003	BAND, tool	1		5
4	09111H06066	09111H06066	09111H06066	09111H06066	09111H06066	09111H06066	09111H06066	09111H06066	BOLT, rr fender ft up	2		20
5	09148-05039	09148-05039	09148-05039	09148-05039	09148-05039	09148-05039	09148-05039	09148-05039	NUT, rr fender ft	2		
6	01517-06166	01517-06166	01517-06166	01517-06166	01517-06166	01517-06166	01517-06166	01517-06166	BOLT, rr fender ft & frame side tube	2		
7	09169-06032	09169-06032	09169-06032	09169-06032	09169-06032	09169-06032	09169-06032	09169-06032	WASHER, rr fender ft & frame side t	2		40
8	02142-06166	02142-06166	02142-06166	02142-06166	02142-06166	02142-06166	02142-06166	02142-06166	SCREW, rr fender lower	2		20
9	09169-06032	09169-06032	09169-06032	09169-06032	09169-06032	09169-06032	09169-06032	09169-06032	WASHER, rr fender lower	2		
10	41589HG5900	41589HG5900	41589HG5900	41589HG5900	41589HG5900	41589HG5900	41589HG5900	41589HG5900	CUSHION, rr fender ft & battery	2		10
11	63120HM810003P	63120HM810003P	63120HM810003P	63120HM810003P	63120HM810003P	63120HM810003P	63120HM810003P	63120HM810003P	TUBE COMP, RR fender FT & frm s	1	~KM4MP51AX61103538	5
11~1	63120HM810103P	63120HM810103P	63120HM810103P	63120HN9150120	63120HN9150120	63120HN9150120	63120HN9150120	63120HM810103P	TUBE COMP, RR fender FT & frm s	1	KM4MP51AX61103539~	5
12	01517-08168	01517-08168	01517-08168	01517-08168	01517-08168	01517-08168	01517-08168	01517-08168	BOLT, frm side tube	2		10
13	63115HN9101	63115HN9101	63115HN9101	63115HN9101	63115HN9101	63115HN9101	63115HN9101	63115HN9101	TAPE, RR fender FT	1		5
14	68350HM8100PL	68350HM8150PL	68350HM8150PL	68350HM8150PL	68350HM8150PL	68350HM8150PL	68350HM8160PL	68350HM8150PL	LABEL, caution NO.1	1		5

FIG 37

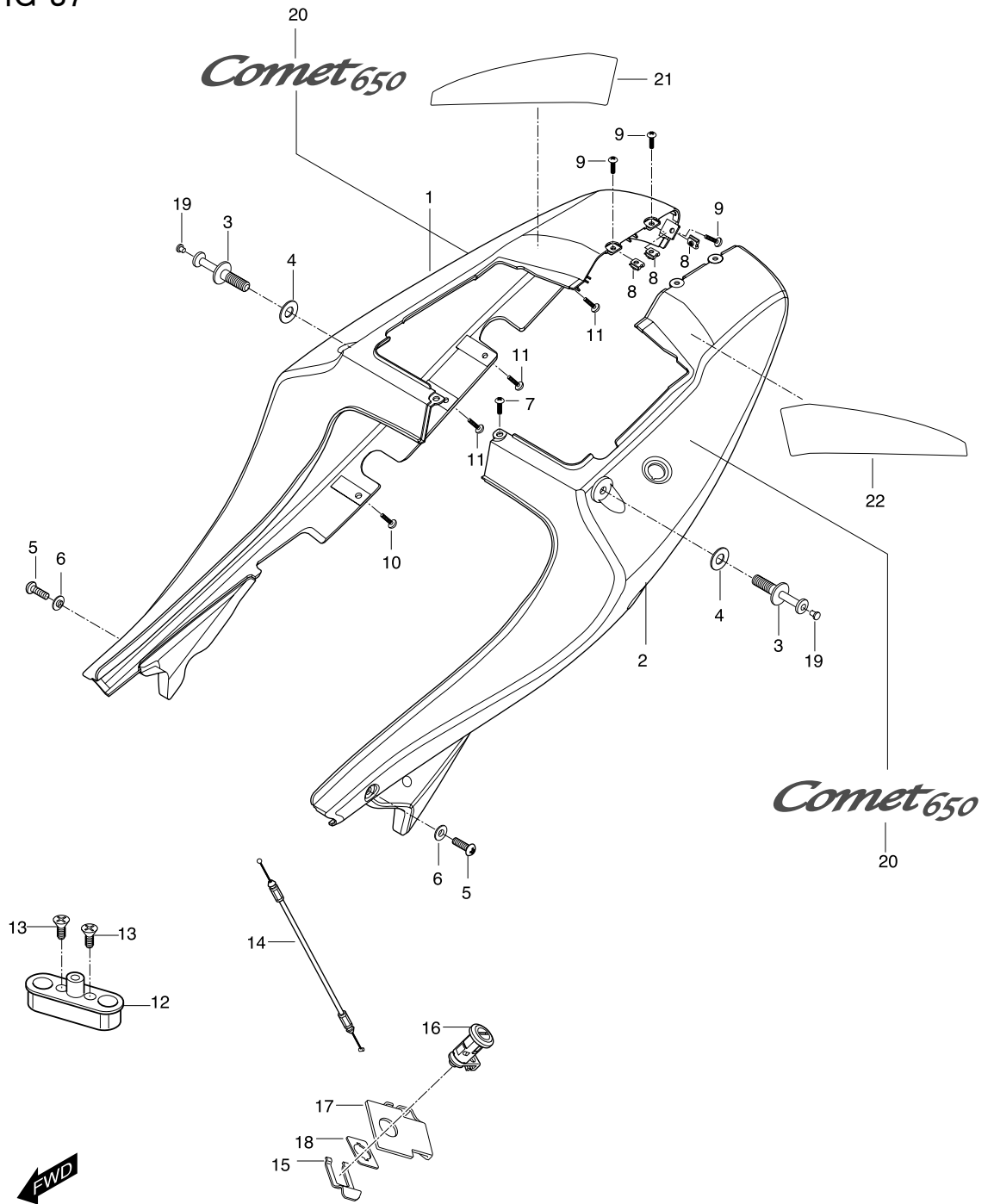


FIG 37. SIDE COVER

REF. PART NO.	NUMBER.								PART NAME	Q'TY	REMARKS	REC.Q'TY (PCS)
	DOMESTIC	NAT01	NAT02(25KW)	NEN01	NEU01(WVTA)	NEU02(WVTA 25K)	NG01	PUS01				
1	47111HN9100	47111HN9100	47111HN9100	47111HN9100	47111HN9100	47111HN9100	47111HN9160	47111HN9100	COVER, side R(color) CDB,CMB,CMO	1		5
2	47211HN9100	47211HN9100	47211HN9100	47211HN9100	47211HN9100	47211HN9100	47211HN9160	47211HN9100	COVER, side L(color) CDB,CMB,CMO	1		5
3	47113HM8101	47113HM8101	47113HM8101	47113HM8101	47113HM8101	47113HM8101	47113HM8101	47113HM8101	BOLT, luggage support	2		10
4	08322-11088	08322-11088	08322-11088	08322-11088	08322-11088	08322-11088	08322-11088	08322-11088	WASHER, luggage bolt & frm side	2		
5	02142-06165	02142-06165	02142-06165	02142-06165	02142-06165	02142-06165	02142-06165	02142-06165	SCREW, frm side front	2		45
6	09169-06034	09169-06034	09169-06034	09169-06034	09169-06034	09169-06034	09169-06034	09169-06034	WASHER, frm side front	2		30
7	02142-06165	02142-06165	02142-06165	02142-06165	02142-06165	02142-06165	02142-06165	02142-06165	SCREW, frm side center	1		
8	09148H05029	09148H05029	09148H05029	09148H05029	09148H05029	09148H05029	09148H05029	09148H05029	NUT, frm side rear up	3		15
9	02142-05125	02142-05125	02142-05125	02142-05125	02142-05125	02142-05125	02142-05125	02142-05125	SCREW, frm side rear up	3		15
10	02142-06165	02142-06165	02142-06165	02142-06165	02142-06165	02142-06165	02142-06165	02142-06165	SCREW, frm side low & frm	2		
11	02142-05165	02142-05165	02142-05165	02142-05165	02142-05165	02142-05165	02142-05165	02142-05165	SCREW, frm side low & rear fender	6		45
12	45220HM8100	45220HM8100	45220HM8100	45220HM8100	45220HM8100	45220HM8100	45220HM8100	45220HM8100	LOCK ASS'Y, seat striker rear	1		5
13	02122-06308	02122-06308	02122-06308	02122-06308	02122-06308	02122-06308	02122-06308	02122-06308	SCREW, seat striker	2		10
14	45280-35C00	45280-35C00	45280-35C00	45280-35C00	45280-35C00	45280-35C00	45280-35C00	45280-35C00	CABLE COMP, seat lock	1		5
15	92414HF4500	92414HF4500	92414HF4500	92414HF4500	92414HF4500	92414HF4500	92414HF4500	92414HF4500	LOCK, key set & seat lock guide	1		5
16	45700HG2610	45700HG2610	45700HG2610	45700HG2610	45700HG2610	45700HG2610	45700HG2610	45700HG2610	LOCK ASS'Y, seat	1		
17	45381HG2601	45381HG2601	45381HG2601	45381HG2601	45381HG2601	45381HG2601	45381HG2601	45381HG2601	GUIDE, seat lock cable	1		5
18	92413HF4501	92413HF4501	92413HF4501	92413HF4501	92413HF4501	92413HF4501	92413HF4501	92413HF4501	WASHER, key set & seat lock guide	1		5
19	47115HN9100	47115HN9100	47115HN9100	47115HN9100	47115HN9100	47115HN9100	47115HN9100	47115HN9100	CAP, luggage support bolt	2		10
20	68130HN9100	68130HN9100	68130HN9100	68130HN9100	68130HN9100	68130HN9100	68130HN9160	68130HN9100	EMBLEM, color(015=>0DB,03P=>0MB,10F	2		
21	68204HN9100	68204HN9100	68204HN9100	68204HN9100	68204HN9100	68204HN9100	68204HN9100	68204HN9100	TAPE, rear seat & s/cover R	1		5
22	68206HN9100	68206HN9100	68206HN9100	68206HN9100	68206HN9100	68206HN9100	68206HN9100	68206HN9100	TAPE, rear seat & s/cover L	1		5

FIG 38

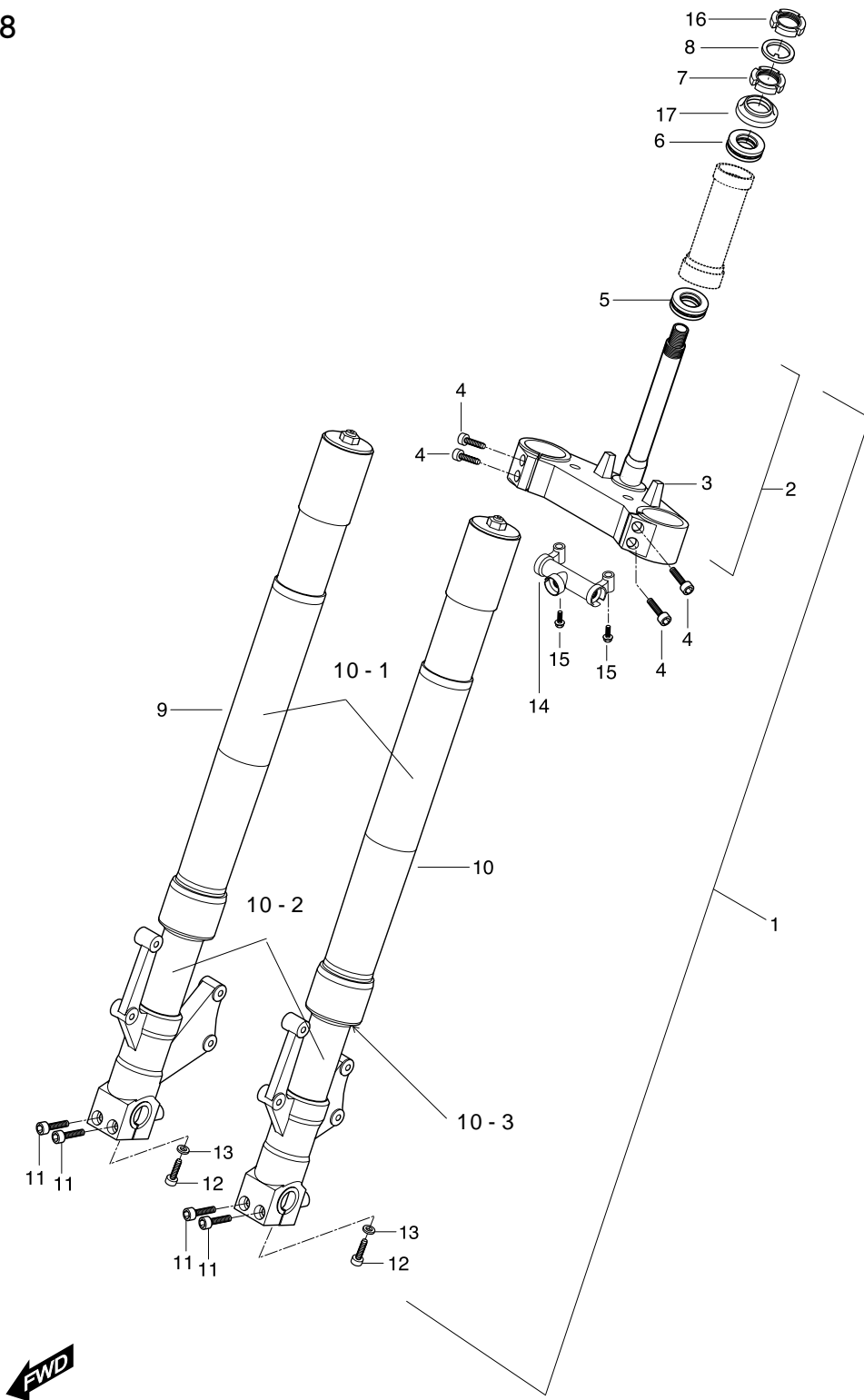


FIG 38. FRONT FORK

REF. PART NO.	NUMBER.							PART NAME	Q'TY	REMARKS	REC.Q'TY (PCS)
NO.	DOMESTIC	NAT01	NAT02(25KW)	NEN01	NEU01(WVTA)	NEU02(WVTA 25K)	NG01	PUS01			
1	51100HN9100HPA	51100HN9100HPA	51100HN9100HPA	51100HN9100HPA	51100HN9100HPA	51100HN9100HPA	51100HN9100HPA		FORK ASS'Y, front	1	~ KM4MP51A341100140
1~1		51100HN9150HPA	51100HN9150HPA	51100HN9150HPA	51100HN9150HPA	51100HN9150HPA	51100HN9150HPA	51100HN9150HPA	FORK ASS'Y, front		KM4MP51A341100141~
2	51410HM8105HPA	51410HM8105HPA	51410HM8105HPA	51410HM8105HPA	51410HM8105HPA	51410HM8105HPA	51410HM8105HPA		BRACKET COMP, front fork under	1	5
3	51411HM810503P	51411HM810503P	51411HM810503P	51411HM810503P	51411HM810503P	51411HM810503P	51411HM810503P	51411HM810503P	BRACKET, front fork under	1	NOT SALE
4	07110-08258	07110-08258	07110-08258	07110-08258	07110-08258	07110-08258	07110-08258	07110-08258	BOLT, front fork under bracket	4	
5	09265H25001	09265H25001	09265H25001	09265H25001	09265H25001	09265H25001	09265H25001	09265H25001	BEARING, steering lower	1	5
6	09265H28001	09265H28001	09265H28001	09265H28001	09265H28001	09265H28001	09265H28001	09265H28001	BEARING, steering upper	1	5
7	51631-28000	51631-28000	51631-28000	51631-28000	51631-28000	51631-28000	51631-28000	51631-28000	NUT, steering stem	1	5
8	09166H25001	09166H25001	09166H25001	09166H25001	09166H25001	09166H25001	09166H25001	09166H25001	WASHER, steering stem	1	5
9	51210HN9100	51210HN9100	51210HN9100	51210HN9100	51210HN9100	51210HN9100	51210HN9100	51210HN9100	DAMPER ASS'Y, front fork R	1	~ KM4MP51A341100140
		51210HN9150	51210HN9150	51210HN9150	51210HN9150	51210HN9150	51210HN9150	51210HN9150	DAMPER ASS'Y, front fork R		KM4MP51A341100141~
10	51220HN9100	51220HN9100	51220HN9100	51220HN9100	51220HN9100	51220HN9100	51220HN9100	51220HN9100	DAMPER ASS'Y, front fork L	1	~ KM4MP51A341100140
		51220HN9150	51220HN9150	51220HN9150	51220HN9150	51220HN9150	51220HN9150	51220HN9150	DAMPER ASS'Y, front fork L		KM4MP51A341100141~
10-1	52210-N9100	52210-N9100	52210-N9100	52210-N9100	52210-N9100	52210-N9100	52210-N9100	52210-N9100	FORK, upper case	2	
10-2	52110-N9100	52110-N9100	52110-N9100	52110-N9100	52110-N9100	52110-N9100	52110-N9100	52110-N9100	FORK,pipe	2	
10-3	51255HG5800	51255HG5800	51255HG5800	51255HG5800	51255HG5800	51255HG5800	51255HG5800	51255HG5800	FORK,oil seal	2	
11	09106H08458	09106H08458	09106H08458	09106H08458	09106H08458	09106H08458	09106H08458	09106H08458	BOLT, axle grip	4	40
12	07110-08258	07110-08258	07110-08258	07110-08258	07110-08258	07110-08258	07110-08258	07110-08258	BOLT, fork clip	2	
13	90544H93B00	90544H93B00	90544H93B00	90544H93B00	90544H93B00	90544H93B00	90544H93B00	90544H93B00	WASHER, spacer	2	
14	51511HN9100	51511HN9100	51511HN9100	51511HN9100	51511HN9100	51511HN9100	51511HN9100	51511HN9100	JOINT, front brake hose	1	5
15	01517-06308	01517-06308	01517-06308	01517-06308	01517-06308	01517-06308	01517-06308	01517-06308	BOLT, front brake hose joint	2	
16	51631HN9100	51631HN9100	51631HN9100	51631HN9100	51631HN9100	51631HN9100	51631HN9100	51631HN9100	NUT, steering stem upper	1	
17	51643HG5801	51643HG5801	51643HG5801	51643HG5801	51643HG5801	51643HG5801	51643HG5801	51643HG5801	DUST SEAL, steering upper	1	5

FIG 39

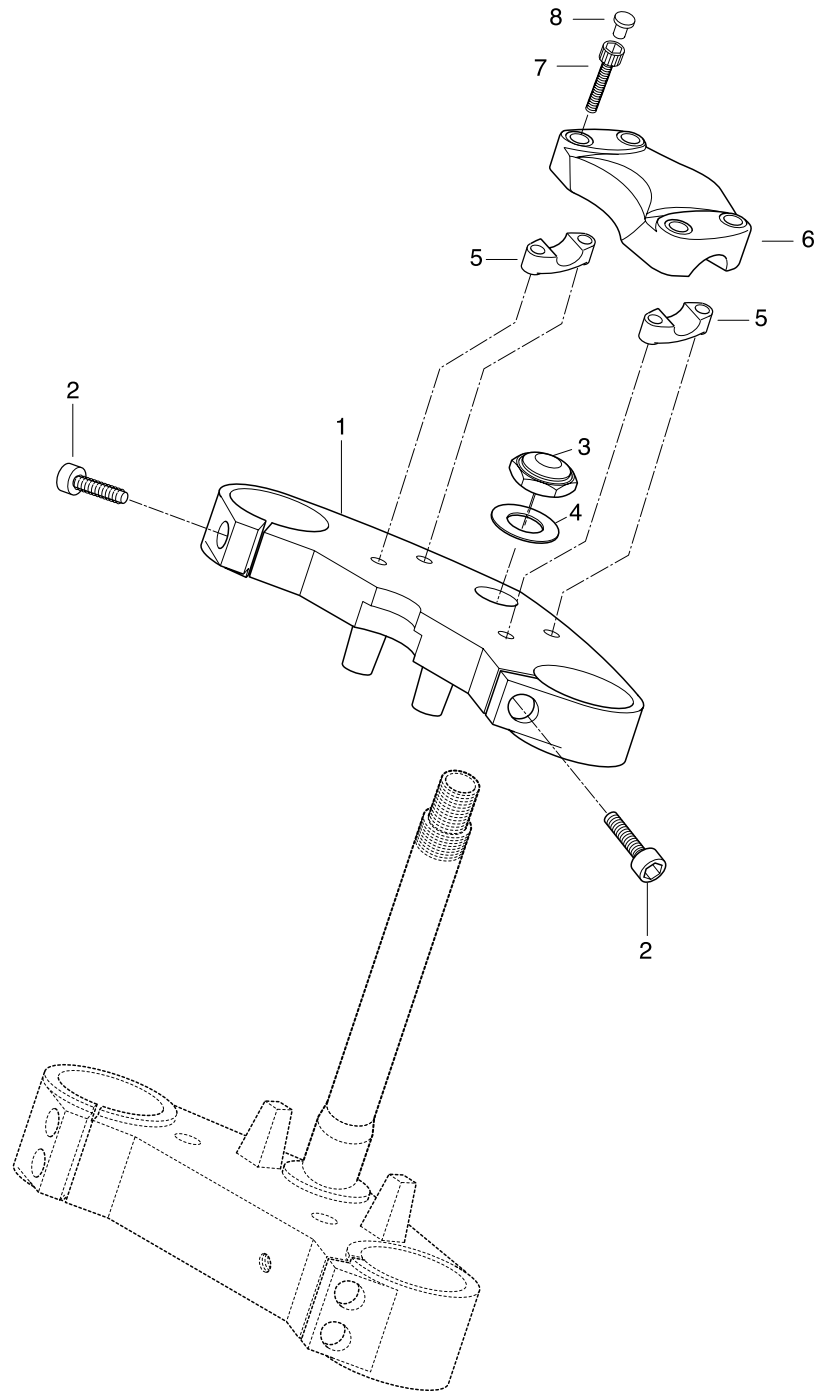


FIG 39. STEERING HEAD

REF. PART NO.	NUMBER.								PART NAME	Q'TY	REMARKS	REC.Q'TY (PCS)
DOMESTIC	NAT01	NAT02(25KW)	NEN01	NEU01(WVTA)	NEU02(WVTA 25K)	NG01	PUS01					
1	51311HM810403P	51311HM810403P	51311HM810403P	51311HM810403P	51311HM810403P	51311HM810403P	51311HM810403P	51311HM810403P	BRACKET, front fork upper	1		5
2	07110-08258	07110-08258	07110-08258	07110-08258	07110-08258	07110-08258	07110-08258	07110-08258	BOLT, front fork upper bracket	2		
3	09159H22002	09159H22002	09159H22002	09159H22002	09159H22002	09159H22002	09159H22002	09159H22002	NUT, str upper	1		5
4	09160H22032	09160H22032	09160H22032	09160H22032	09160H22032	09160H22032	09160H22032	09160H22032	WASHER, str upper	1		5
5	56211-35C00	56211-35C00	56211-35C00	56211-35C00	56211-35C00	56211-35C00	56211-35C00	56211-35C00	HOLDER, handle bar	2		10
6	56171HF4601	56171HF4601	56171HF4601	56171HF4601	56171HF4601	56171HF4601	56171HF4601	56171HF4601	COVER, steering head	1		5
7	09106H08458	09106H08458	09106H08458	09106H08458	09106H08458	09106H08458	09106H08458	09106H08458	BOLT, handle holder upper	4		
8	56222HG5100	56222HG5100	56222HG5100	56222HG5100	56222HG5100	56222HG5100	56222HG5100	56222HG5100	CAP, headle holder upper bolt	4		20

FIG 40

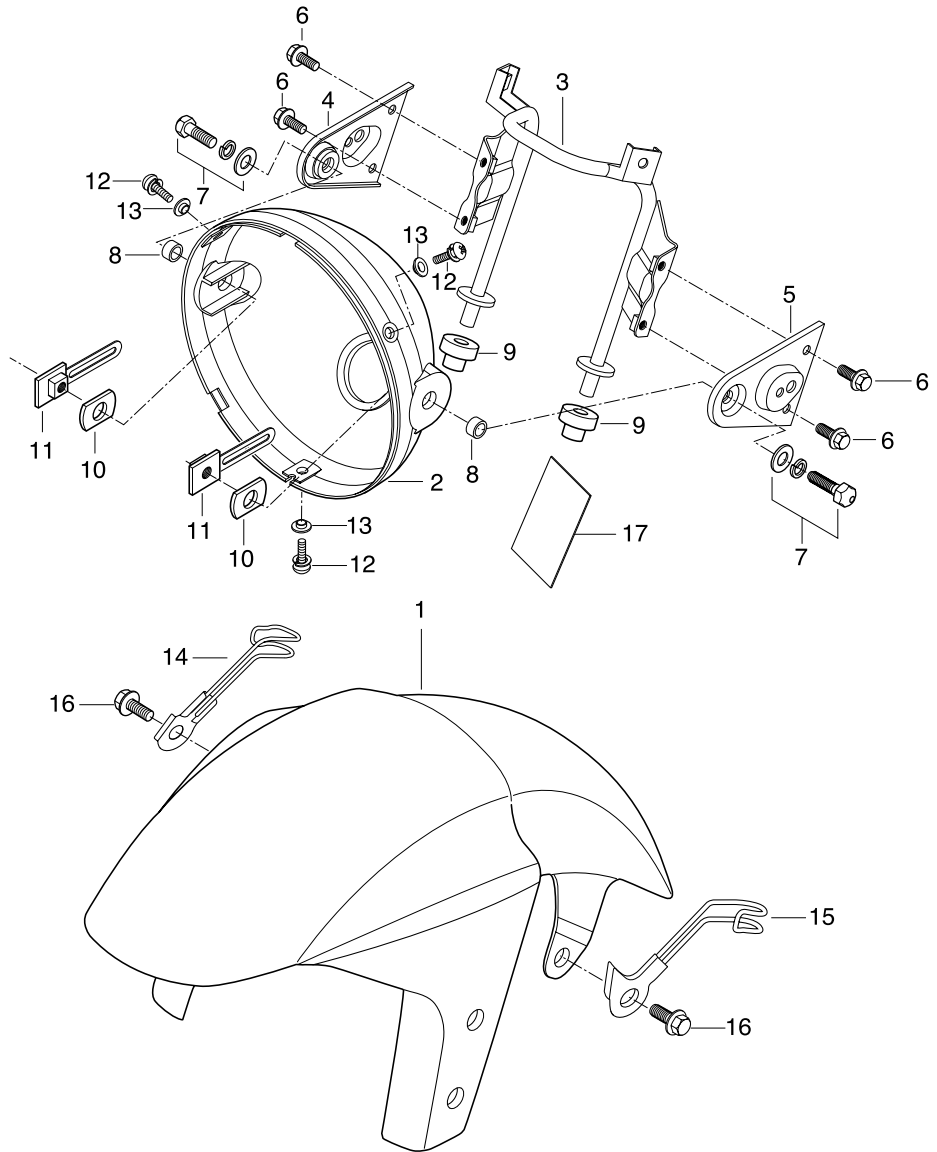


FIG 40. FRONT FENDER

REF. PART NO.	NUMBER.							PART NAME	Q'TY	REMARKS	REC.Q'TY (PCS)
DOMESTIC	NAT01	NAT02(25KW)	NEN01	NEU01(WVTA)	NEU02(WVTA 25K)	NG01	PUS01				
1	53111HM8100	53111HM8100	53111HM8100	53111HM8100	53111HM8100	53111HM8100	53111HM8100	53110HN9180	FENDER, front(ODB,0MB,0MO)	1	5
2	51811HM8101PAM	51811HM8101PAM	51811HM8101PAM	51811HM8101PAM	51811HM8101PAM	51811HM8101PAM	51811HM8101PAM	51811HM8101PAM	HOUSING, headlamp	1	5
3	51550HM8100	51550HM8100	51550HM8100	51550HM8100	51550HM8100	51550HM8100	51550HM8100	51550HM8100	BRACE COMP, headlamp housing	1	5
4	51540HM8100PLA	51540HM8100PLA	51540HM8100PLA	51540HM8100PLA	51540HM8100PLA	51540HM8100PLA	51540HM8100PLA	51540HM8100PLA	BRKT COMP, headlamp housing R	1	5
5	51530HM8100PLA	51530HM8100PLA	51530HM8100PLA	51530HM8100PLA	51530HM8100PLA	51530HM8100PLA	51530HM8100PLA	51530HM8100PLA	BRKT COMP, headlamp housing L	1	5
6	01517-06128	01517-06128	01517-06128	01517-06128	01517-06128	01517-06128	01517-06128	01517-06128	BOLT, plate headlamp	4	40
7	01284-08258	01284-08258	01284-08258	01284-08258	01284-08258	01284-08258	01284-08258	01284-08258	BOLT, headlamp housing	2	10
8	09180-08092	09180-08092	09180-08092	09180-08092	09180-08092	09180-08092	09180-08092	09180-08092	SPACER, headlamp housing	2	
9	09320-10020	09320-10020	09320-10020	09320-10020	09320-10020	09320-10020	09320-10020	09320-10020	CUSHION, under brkt & headlamp hc	2	10
10	09329-12002	09329-12002	09329-12002	09329-12002	09329-12002	09329-12002	09329-12002	09329-12002	CUSHION, headlamp housing	2	10
11	51820-45000	51820-45000	51820-45000	51820-45000	51820-45000	51820-45000	51820-45000	51820-45000	PLATE COMP, headlamp housing	2	10
12	02112-95208	02112-95208	02112-95208	02112-95208	02112-95208	02112-95208	02112-95208	02112-95208	SCREW, housing & headlamp	3	15
13									WASHER, housing & headlamp	3	
14	59430HN9100	59430HN9100	59430HN9100	59430HN9100	59430HN9100	59430HN9100	59430HN9100	59430HN9100	CLAMP COMP, front brake hose R	1	5
15	59440HN9100	59440HN9100	59440HN9100	59440HN9100	59440HN9100	59440HN9100	59440HN9100	59440HN9100	CLAMP COMP, front brake hose L	1	5
16	01517-08126	01517-08126	01517-08126	01517-08126	01517-08126	01517-08126	01517-08126	01517-08126	BOLT, front brake hose clamp R/L	2	10
17	51815HN9100	51815HN9100	51815HN9100	51815HN9100	51815HN9100	51815HN9100	51815HN9100	51815HN9100	TAPE, head lamp housing LH	1	5

FIG 41

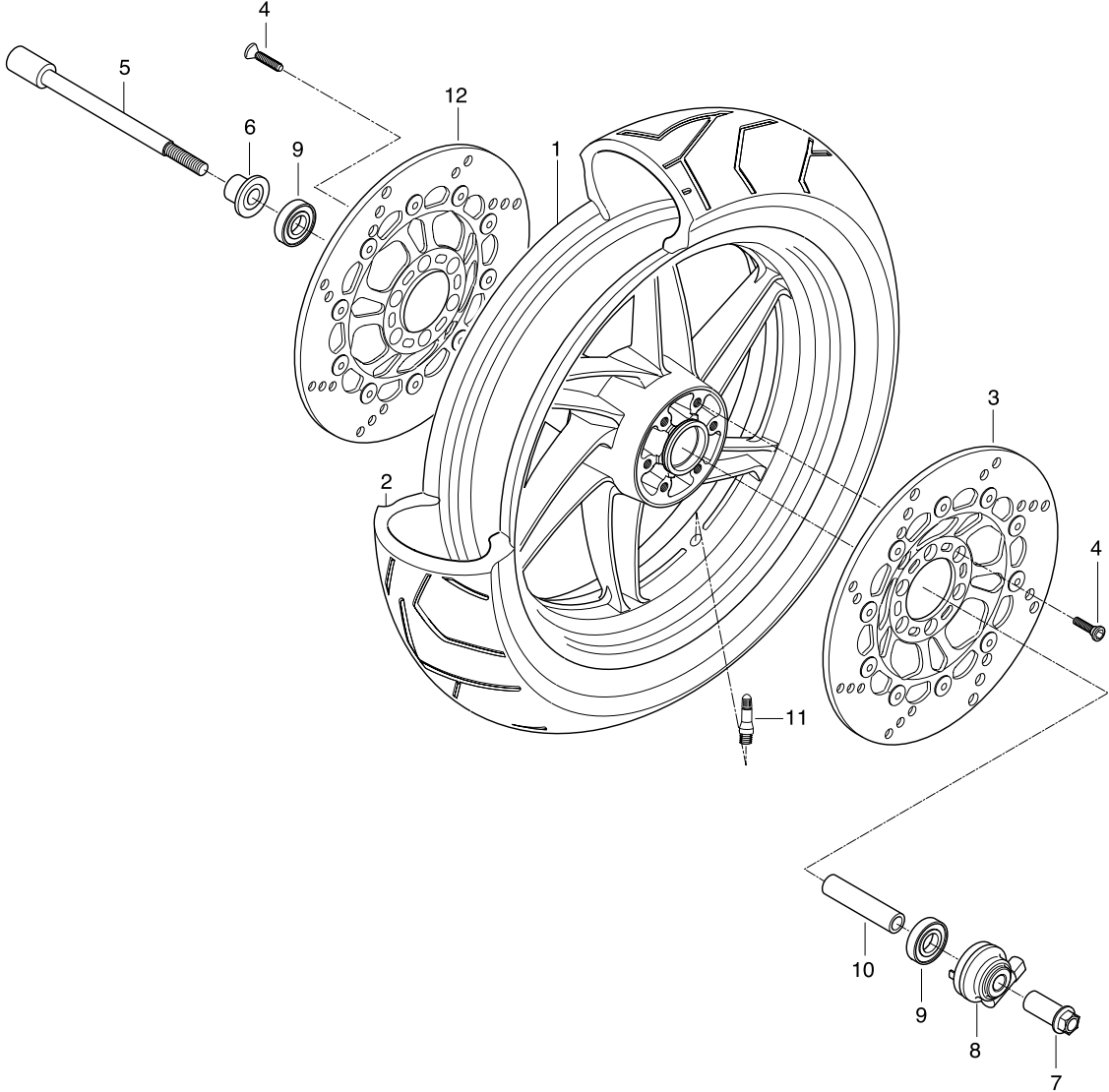


FIG 41. FRONT WHEEL

REF. PART NUMBER.									PART NAME	Q`TY	REMARKS	REC.Q`TY
NO.	DOMESTIC	NAT01	NAT02(25KW)	NEN01	NEU01(WVTA)	NEU02(WVTA 25K)	NG01	PUS01				(PCS)
1	54141HM8102	54141HM8102	54141HM8102	54141HM8102	54141HM8102	54141HM8102	54141HM8102	54141HM8102	WHEEL, front (J17xMT3.0)	1		5
2	55100HN9101	55100HN9101	55100HN9101	55100HN9101	55100HN9101	55100HN9101	55100HN9101	55100HN9101	TIRE COMP, front (120/60-17 55W)	1		5
3	59211HM8100	59211HM8100	59211HM8100	59211HM8100	59211HM8100	59211HM8100	59211HM8100	59211HM8100	DISC COMP, front L	1		5
4	59421-03A01	59421-03A01	59421-03A01	59421-03A01	59421-03A01	59421-03A01	59421-03A01	59421-03A01	BOLT, front brake disc	12		90
5	54711HG5101	54711HG5101	54711HG5101	54711HG5101	54711HG5101	54711HG5101	54711HG5101	54711HG5101	AXLEL, front	1		5
6	54740HM8101	54740HM8101	54740HM8101	54740HM8101	54740HM8101	54740HM8101	54740HM8101	54740HM8101	SPACER COMP, front axle R	1		5
7	54721HM8100	54721HM8100	54721HM8100	54721HM8100	54721HM8100	54721HM8100	54721HM8100	54721HM8100	NUT, front axle	1		5
8	54600HG5102	54600HG5102	54600HG5102	54600HG5102	54600HG5102	54600HG5102	54600HG5102	54600HG5102	BOX ASS`Y, speedometer gear	1		5
9	08124-63027	08124-63027	08124-63027	08124-63027	08124-63027	08124-63027	08124-63027	08124-63027	BEARING, front hub	2		10
10	54731HM8100	54731HM8100	54731HM8100	54731HM8100	54731HM8100	54731HM8100	54731HM8100	54731HM8100	SPACER, front hub	1		5
11	55220-29C20	55220-29C20	55220-29C20	55220-29C20	55220-29C20	55220-29C20	55220-29C20	55220-29C20	VALVE ASS`Y, wheel rim	1		10
12	59221HM8160	59221HM8160	59221HM8160	59221HM8160	59221HM8160	59221HM8160	59221HM8160	59221HM8160	DISC COMP, F/T R	1		5

FIG 42

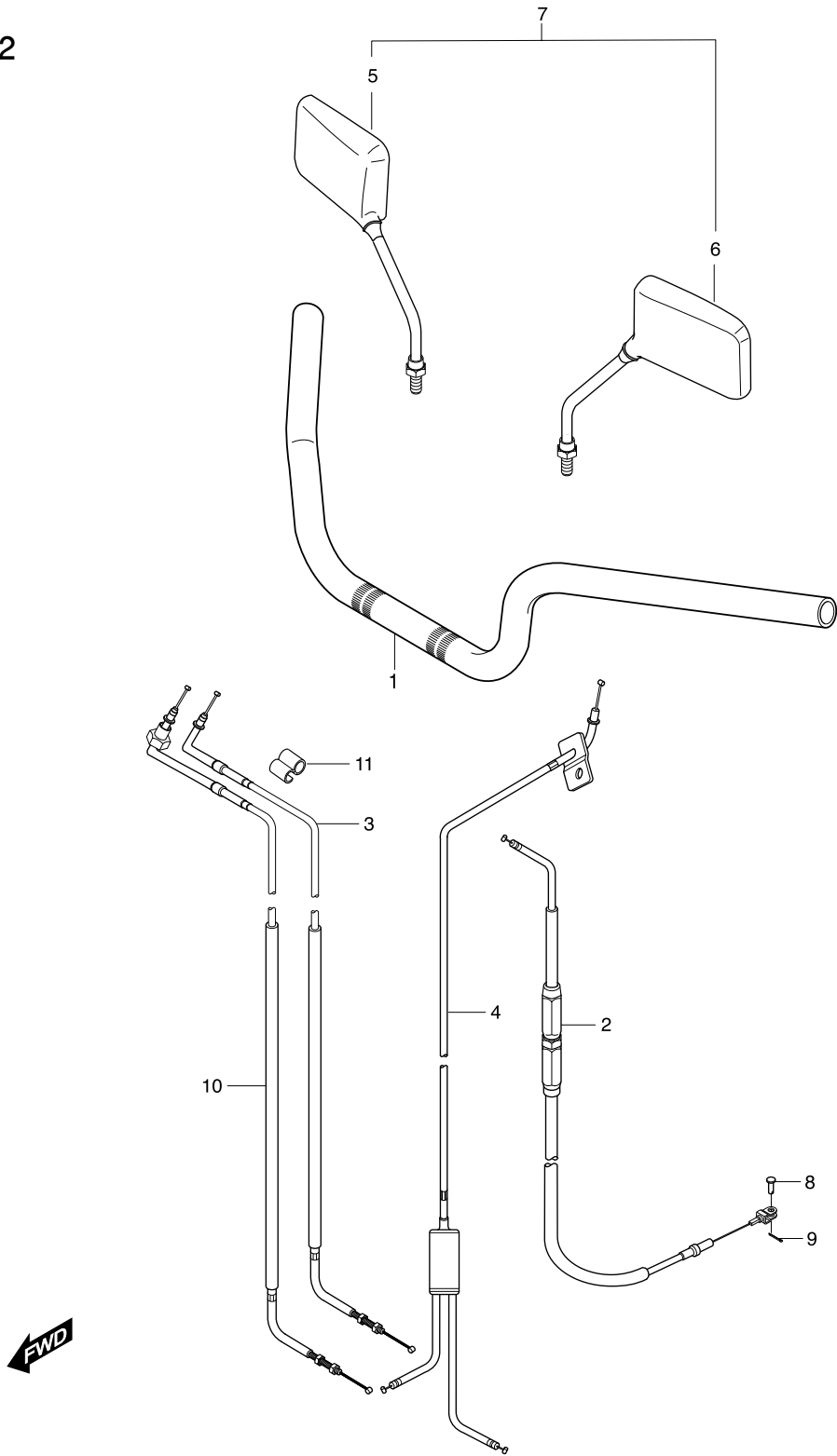


FIG 42. HANDLE BAR

REF. PART NUMBER.									PART NAME	Q`TY	REMARKS	REC.Q`TY
NO.	DOMESTIC	NAT01	NAT02(25KW)	NEN01	NEU01(WVTA)	NEU02(WVTA 25K)	NG01	PUS01				(PCS)
1	56110HN9102	56110HN9102	56110HN9102	56110HN9102	56110HN9102	56110HN9102	56110HN9102	56110HN9102	HANDLE BAR COMP	1		5
2	58200HN9104	58200HN9104	58200HN9104	58200HN9104	58200HN9104	58200HN9104	58200HN9104	58200HN9104	CABLE ASS`Y CLUTCH	1		5
3	58300HN9103	58300HN9103	58300HN9103	58300HN9103	58300HN9103	58300HN9103	58300HN9103	58300HN9103	CABLE ASS`Y, throttle	1	~KM4MP51A341100140	5
3~1		58300HN9104	58300HN9104	58300HN9104	58300HN9104	58300HN9104	58300HN9104	58300HN9104	CABLE ASS`Y, throttle	1	KM4MP51A341100141~	
4	58410HN9103	58410HN9103	58410HN9103	58410HN9103	58410HN9103	58410HN9103	58410HN9103	58410HN9103	CABLE COMP, starter	1		5
5	56500HN9100	56500HN9100	56500HN9100	56500HN9100	56500HN9100	56500HN9100	56500HN9100	56500HN9100	MIRROR ASS`Y, rear view R	1		
6	56600HN9100	56600HN9100	56600HN9100	56600HN9100	56600HN9100	56600HN9100	56600HN9100	56600HN9100	MIRROR ASS`Y, rear view L	1		
7	56501HN9100	56501HN9100	56501HN9100	56501HN9100	56501HN9100	56501HN9100	56501HN9100	56501HN9100	MIRROR SET	1		5
8	09200-06004	09200-06004	09200-06004	09200-06004	09200-06004	09200-06004	09200-06004	09200-06004	PIN, clutch cable	1		5
9	04111-20158	04111-20158	04111-20158	04111-20158	04111-20158	04111-20158	04111-20158	04111-20158	COTTER PIN, clutch	1		5
10	58600HN9102	58600HN9103	58600HN9103	58600HN9103	58600HN9103	58600HN9103	58600HN9103	58600HN9103	CABLE ASS`Y, throttle return	1		5
11	09408-00002	09408-00002	09408-00002	09408-00002	09408-00002	09408-00002	09408-00002	09408-00002	CLIP, throttle cable & return cable	1		5

FIG 43

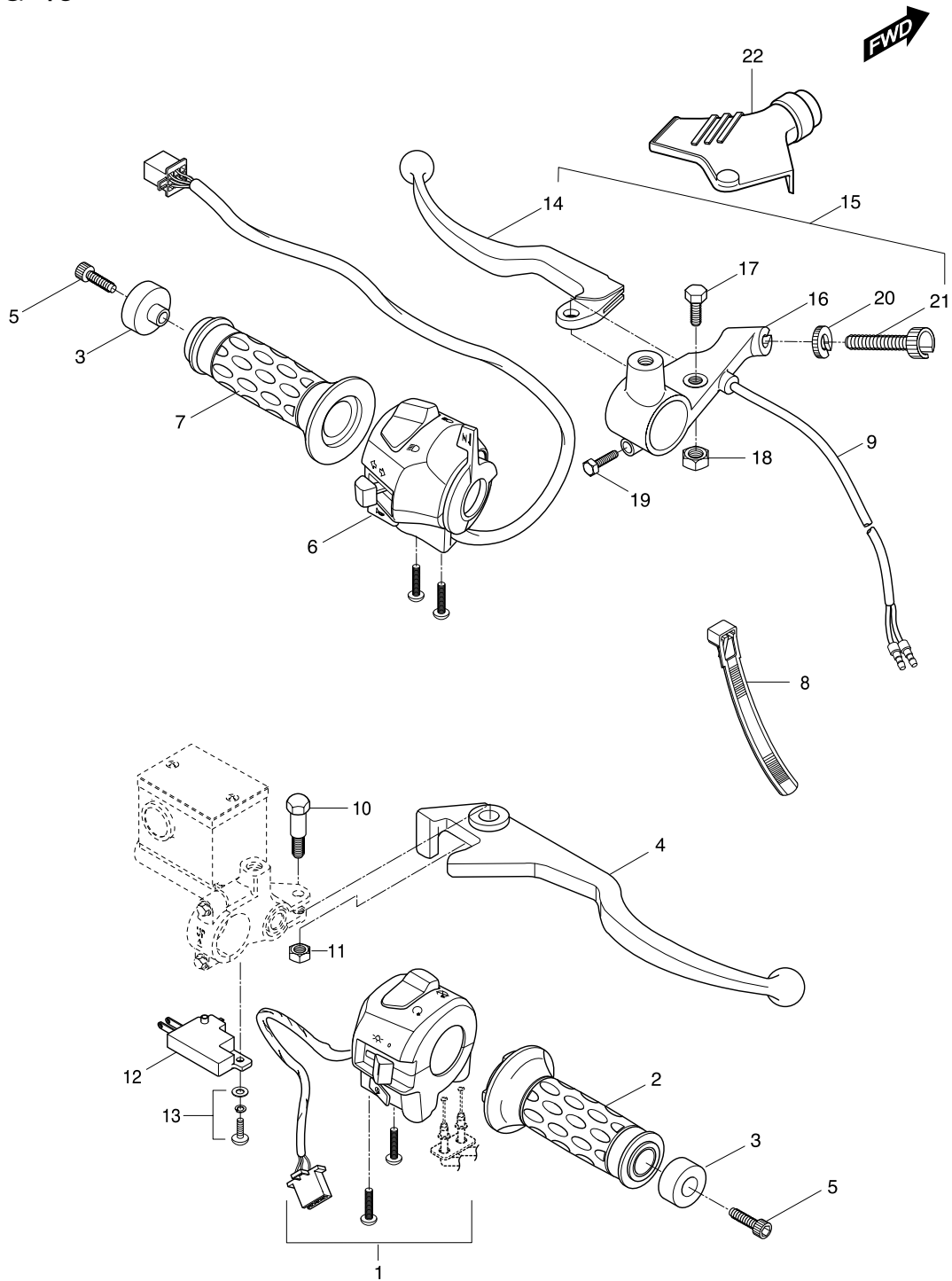


FIG 43. HANDLE SWITCH

REF. PART NO.	NUMBER.								PART NAME	Q'TY	REMARKS	REC.Q'TY (PCS)
	DOMESTIC	NAT01	NAT02(25KW)	NEN01	NEU01(WVTA)	NEU02(WVTA 25K)	NG01	PUS01				
1	37200HN9100	37200HN9100	37200HN9100	37200HN9100	37200HN9100	37200HN9100	37200HN9100	37200HN9100	SWITCH ASS'Y, handle R	1		5
2	57110HG5803	57110HG5803	57110HG5803	57110HG5803	57110HG5803	57110HG5803	57110HG5803	57110HG5803	GRIP COMP, throttle	1		5
3	56271HF4501PLA	56271HF4501PLA	56271HF4501PLA	56271HF4501PLA	56271HF4501PLA	56271HF4501PLA	56271HF4501PLA	56271HF4501PLA	BALANCER, handlebar	2		10
4	57421-13001	57421-13001	57421-13001	57421-13001	57421-13001	57421-13001	57421-13001	57421-13001	LEVER, brake	1	~ KM4MP51A341100140	5
4~1	57421HN9100	57421HN9100		57421HN9100	57421HN9100	57421HN9100	57421HN9100	57421HN9100	LEVER, brake		KM4MP51A341100141~	
5	07110-08208	07110-08208	07110-08208	07110-08208	07110-08208	07110-08208	07110-08208	07110-08208	BOLT, handle balancer	2		10
6	37400HN9100	37400HN9100	37400HN9100	37400HN9100	37400HN9100	37400HN9100	37400HN9100	37400HN9100	SWITCH ASS'Y, handle L	1		5
7	57211HG5800	57211HG5800	57211HG5800	57211HG5800	57211HG5800	57211HG5800	57211HG5800	57211HG5800	GRIP, L	1		5
8	09407-14403	09407-14403	09407-14403	09407-14403	09407-14403	09407-14403	09407-14403	09407-14403	CLAMP, handle switch harness	2		
9	57460HJ8250	57460HJ8250	57460HJ8250	57460HJ8250	57460HJ8250	57460HJ8250	57460HJ8250	57460HJ8250	SWITCH ASS'Y, clutch	1		
10	57431H05D00	57431H05D00	57431H05D00	57431H05D00	57431H05D00	57431H05D00	57431H05D00	57431H05D00	BOLT, brake lever pivot	1		5
11	08319-21065	08319-21065	08319-21065	08319-21065	08319-21065	08319-21065	08319-21065	08319-21065	NUT, brake lever pivot	1		5
12	57460-17C00	57460-17C00	57460-17C00	57460-17C00	57460-17C00	57460-17C00	57460-17C00	57460-17C00	SWITCH ASS'Y, stop	1		5
13	02112-74108	02112-74108	02112-74108	02112-74108	02112-74108	02112-74108	02112-74108	02112-74108	SCREW, stop switch	1		5
14	57620HN9100	57620HN9100	57620HN9100	57620HN9100	57620HN9100	57620HN9100	57620HN9100	57620HN9100	LEVER COMP, clutch	1		
15	57500HN9100	57500HN9100	57500HN9100	57500HN9100	57500HN9100	57500HN9100	57500HN9100	57500HN9100	LEVER ASS'Y, clutch	1		5
16	57511HM8100	57511HM8100	57511HM8100	57511HM8100	57511HM8100	57511HM8100	57511HM8100	57511HM8100	HOLDER, clutch lever	1		
17	57431HG5800	57431HG5800	57431HG5800	57431HG5800	57431HG5800	57431HG5800	57431HG5800	57431HG5800	BOLT SET, clutch lever pivot	1		
18	08319-21065	08319-21065	08319-21065	08319-21065	08319-21065	08319-21065	08319-21065	08319-21065	NUT, clutch lever pivot	1		
19	57451HG5800	57451HG5800	57451HG5800	57451HG5800	57451HG5800	57451HG5800	57451HG5800	57451HG5800	BOLT, clutch lever holder	1		
20	57442H93B00	57442H93B00	57442H93B00	57442H93B00	57442H93B00	57442H93B00	57442H93B00	57442H93B00	LOCK NUT	1		
21	57441H93B00	57441H93B00	57441H93B00	57441H93B00	57441H93B00	57441H93B00	57441H93B00	57441H93B00	ADJUSTER, wire	1		
22	57661HJ8200	57661HJ8200	57661HJ8200	57661HJ8200	57661HJ8200	57661HJ8200	57661HJ8200	57661HJ8200	COVER, clutch lever	1		5

FIG 44

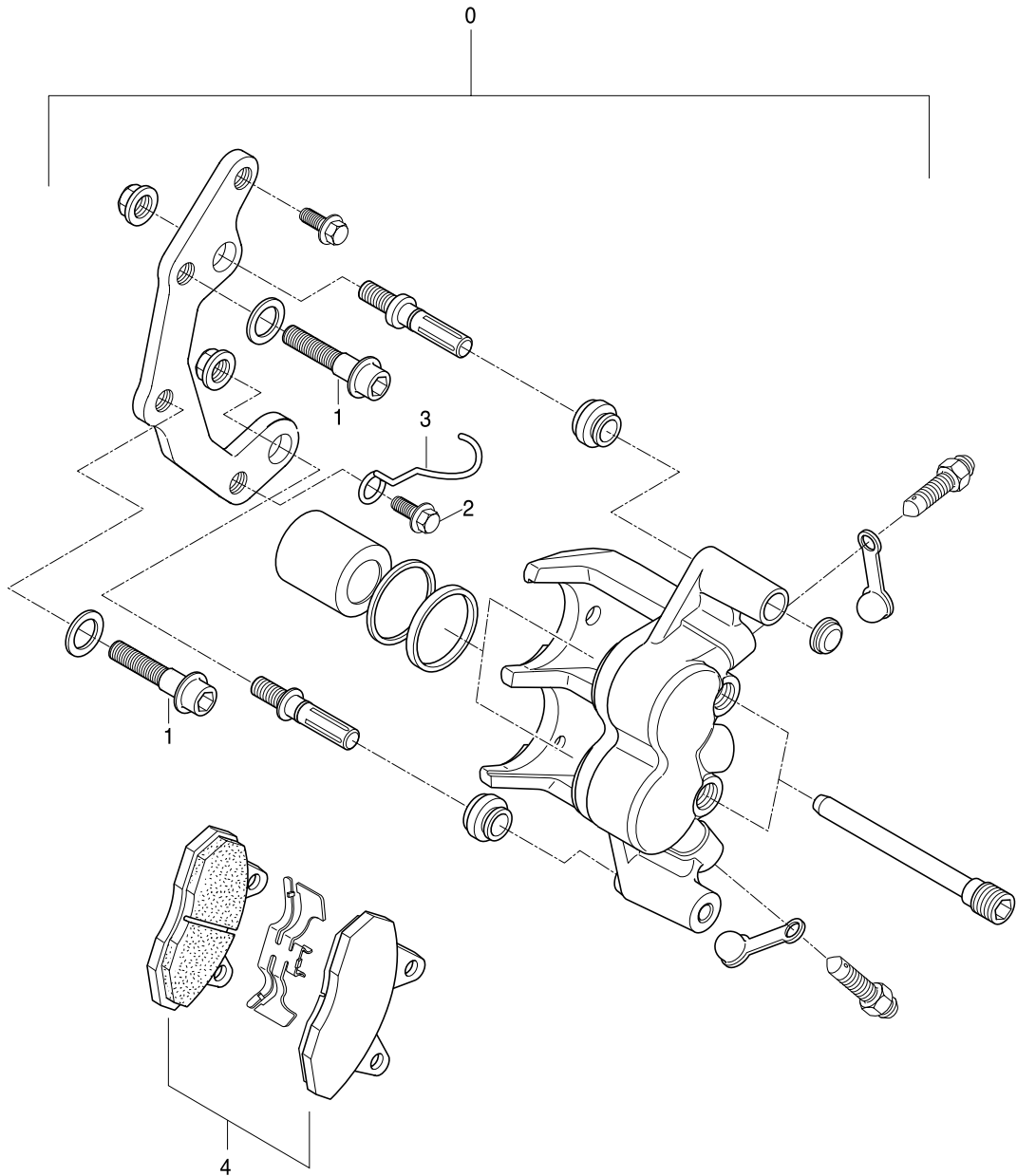


FIG 44. CALIPER LH

REF. PART NUMBER.									PART NAME	Q'TY	REMARKS	REC.Q'TY
NO.	DOMESTIC	NAT01	NAT02(25KW)	NEN01	NEU01(WVTA)	NEU02(WVTA 25K)	NG01	PUS01			(PCS)	
0	59300HM8101	59300HM8101	59300HM8101	59300HM8101	59300HM8101	59300HM8101	59300HM8101		CALIPER ASS'Y, L	1		5
0~1	59300HM8102	59300HM8102	59300HM8102	59300HM8102	59300HM8102	59300HM8102	59300HM8102	59300HM8102	CALIPER ASS'Y, L	1	~KM4MP51A751103499	5
0~2	59300HP9500	59300HP9500	59300HP9500	59300HP9500	59300HP9500	59300HP9500	59300HP9500	59300HP9500	CALIPER ASS'Y, L	1	KM4MP51A751103500~	5
0~3	59300HN9100	59300HN9100	59300HN9100	59300HN9100	59300HN9100	59300HN9100	59300HN9100	59300HN9100	CALIPER ASS'Y, L	1	KM4MP578061103554 ~	5
1	07120-08308	07120-08308	07120-08308	07120-08308	07120-08308	07120-08308	07120-08308	07120-08308	BOLT, caliper	2		20
2	01514-06106	01514-06106	01514-06106	01514-06106	01514-06106	01514-06106	01514-06106	01514-06106	BOLT, speedometer cable guide	1		
3	59266HN9100	59266HN9100	59266HN9100	59266HN9100	59266HN9100	59266HN9100	59266HN9100	59266HN9100	GUIDE, speedometer cable	1		5
4	59300HG5800	59300HG5800	59300HG5800	59300HG5800	59300HG5800	59300HG5800	59300HG5800	59300HG5800	PAD SET(7.4t)	1	~ KM4MP51C25110116	
4-1	59301HP9500	59301HP9500	59301HP9500	59301HP9500	59301HP9500	59301HP9500	59301HP9500	59301HP9500	PAD SET(8.4t)	1	KM4MP51C25110117 ~	5

FIG 45

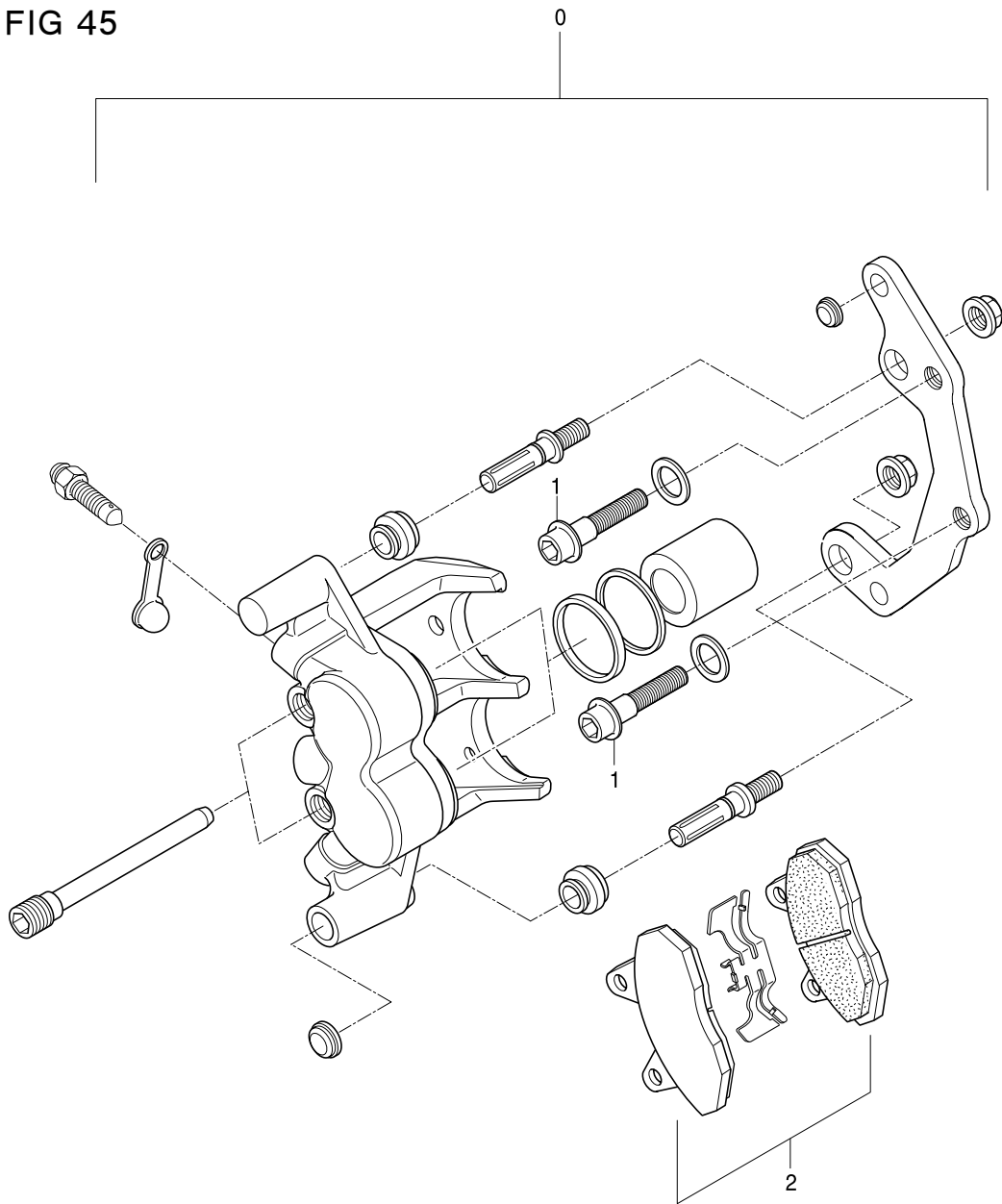


FIG 45. CALIPER RH

REF. PART NUMBER.									PART NAME	Q'TY	REMARKS	REC.Q'TY
NO.	DOMESTIC	NAT01	NAT02(25KW)	NEN01	NEU01(WVTA)	NEU02(WVTA 25K)	NG01	PUS01			(PCS)	
0	59400HM8160	59400HM8160	59400HM8160	59400HM8160	59400HM8160	59400HM8160	59400HM8160		CALIPER ASS`Y, R	1	~KM4MP51B451100322	5
0-1	59400HM8161	59400HM8161	59400HM8161	59400HM8161	59400HM8161	59400HM8161	59400HM8161	59400HM8161	CALIPER ASS`Y, R	1	~KM4MP51A751103499	5
0-2	59400HP9500	59400HP9500	59400HP9500	59400HP9500	59400HP9500	59400HP9500	59400HP9500	59400HP9500	CALIPER ASS`Y, R	1	KM4MP51A751103500~	5
0-3	59400HN9100	59400HN9100	59400HN9100	59400HN9100	59400HN9100	59400HN9100	59400HN9100	59400HN9100	CALIPER ASS`Y, R	1	KM4MP578061103554~	5
1	07120-08258	07120-08258	07120-08258	07120-08258	07120-08258	07120-08258	07120-08258	07120-08258	BOLT, caliper	2		
2	59300HG5800	59300HG5800	59300HG5800	59300HG5800	59300HG5800	59300HG5800	59300HG5800	59300HG5800	PAD SET(7.4t)	1	~KM4MP51C25110116	
2-1	59301HP9500	59301HP9500	59301HP9500	59301HP9500	59301HP9500	59301HP9500	59301HP9500	59301HP9500	PAD SET(8.4t)	1	KM4MP51C25110117~	5

FIG 46

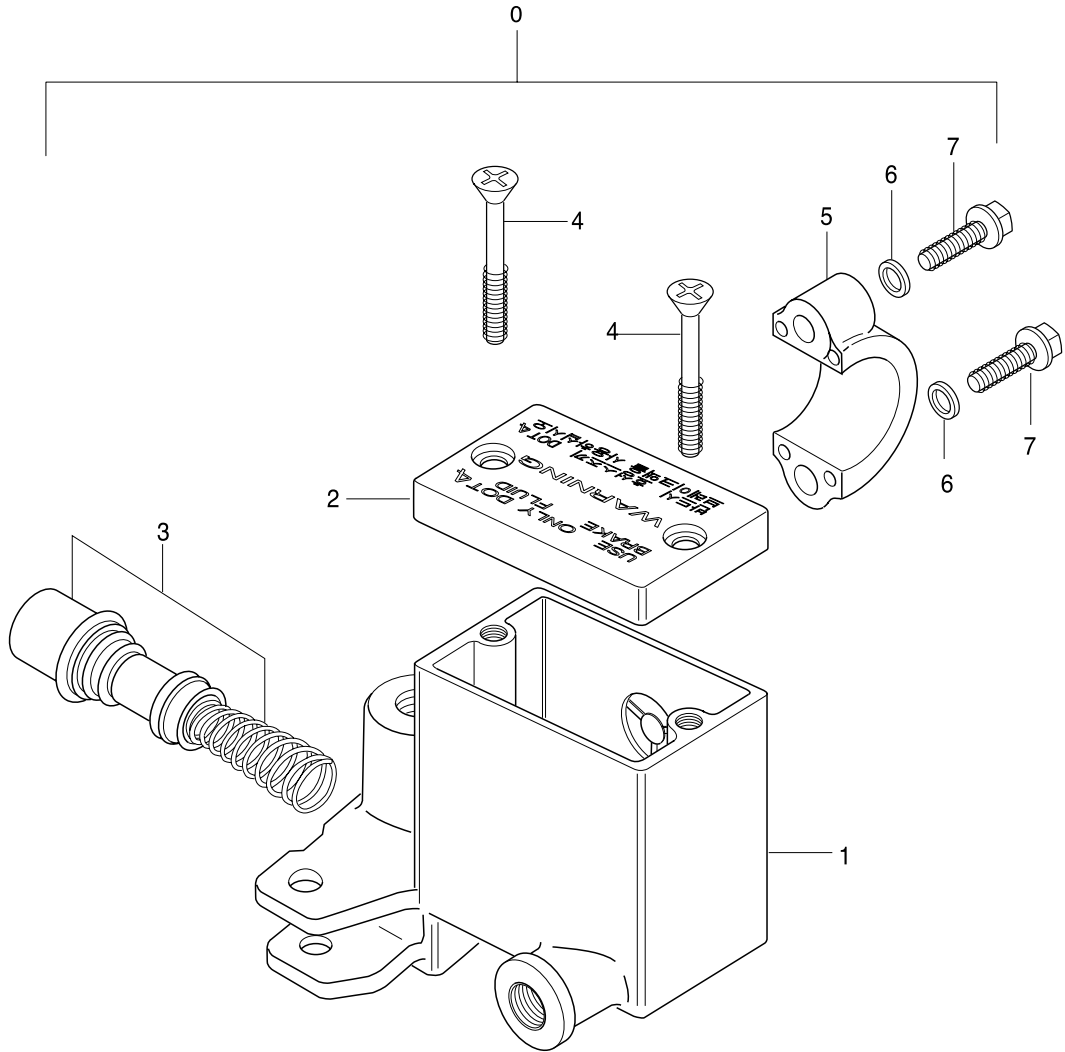


FIG 46. MASTER CYLINDER

REF. PART NO.	NUMBER.								PART NAME	Q`TY	REMARKS	REC.Q`TY (PCS)
	DOMESTIC	NAT01	NAT02(25KW)	NEN01	NEU01(WVTA)	NEU02(WVTA 25K)	NG01	PUS01				
0	59600HN9100	59600HN9100	59600HN9100	59600HN9100	59600HN9100	59600HN9100	59600HN9100		CYLINDER ASS'Y, front master	1	~KM4MP52B451100044	5
0-1	59600HN9102	59600HN9102	59600HN9102	59600HN9102	59600HN9102	59600HN9102	59600HN9102	59600HN9102	CYLINDER ASS'Y, front master	1	KM4MP51A351103171~	
1	59687HM8162	59687HM8162	59687HM8162	59687HM8162	59687HM8162	59687HM8162	59687HM8162	59687HM8162	BODY	1	NOT SALE	
2	59669-36510	59669-36510	59669-36510	59669-36510	59669-36510	59669-36510	59669-36510	59669-36510	CAP, reservoir	1		
3	59600-35C00	59600-35C00	59600-35C00	59600-35C00	59600-35C00	59600-35C00	59600-35C00	59600-35C00	PISTON, SET	1	NOT SALE	
4	59691-35C00	59691-35C00	59691-35C00	59691-35C00	59691-35C00	59691-35C00	59691-35C00	59691-35C00	SCREW	2		
5	59671-35C00	59671-35C00	59671-35C00	59671-35C00	59671-35C00	59671-35C00	59671-35C00	59671-35C00	HOLDER	1		
6	08322-21064	08322-21064	08322-21064	08322-21064	08322-21064	08322-21064	08322-21064	08322-21064	WASHER	2		
7	01107-35C00	01107-35C00	01107-35C00	01107-35C00	01107-35C00	01107-35C00	01107-35C00	01107-35C00	BOLT, holder	2		

FIG 47

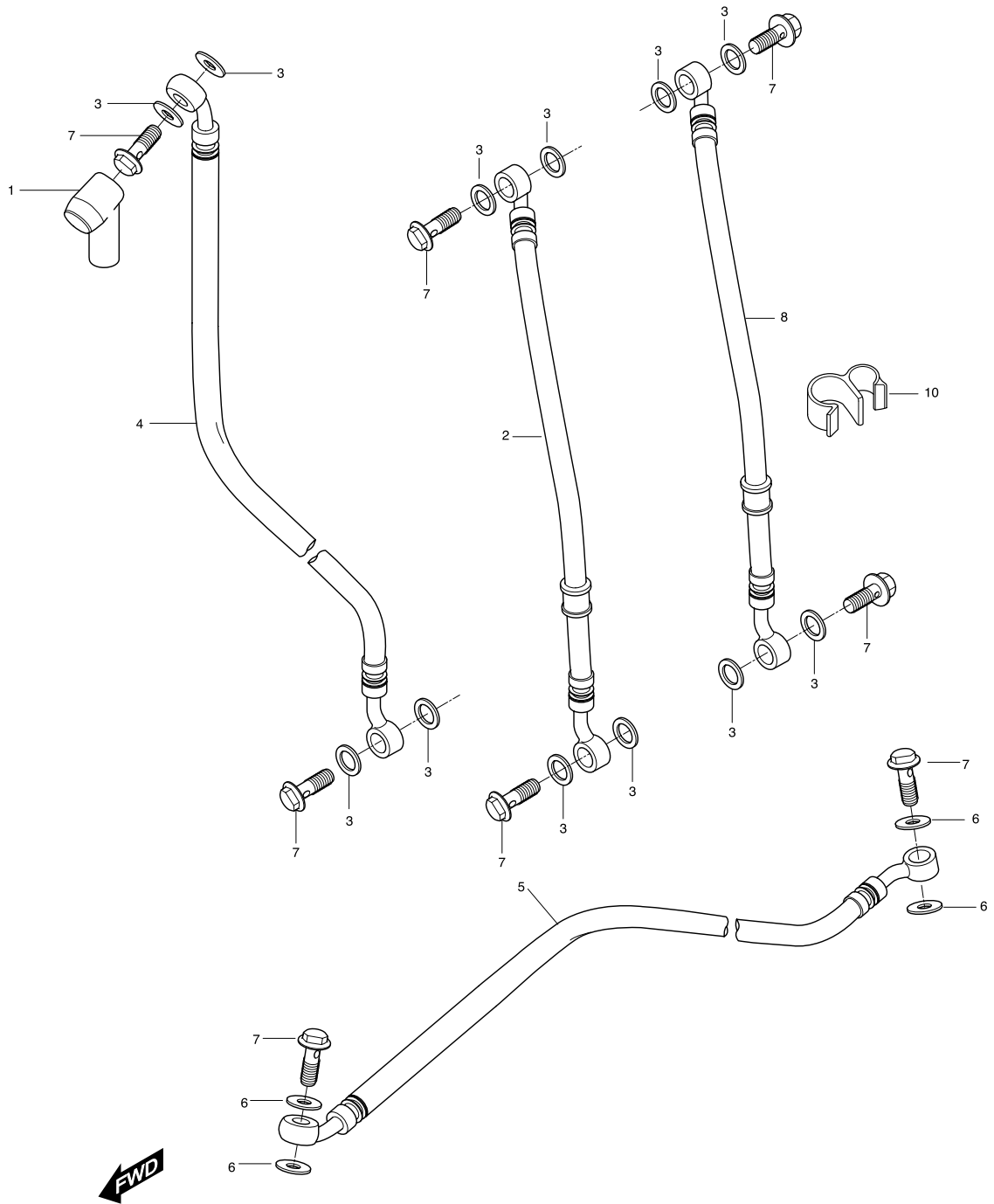


FIG 47. FRONT BRAKE HOSE

REF. PART NO.	NUMBER.							PART NAME	Q`TY	REMARKS	REC.Q`TY (PCS)
	DOMESTIC	NAT01	NAT02(25KW)	NEN01	NEU01(WVTA)	NEU02(WVTA 25K)	NG01				
1	59711H49002	59711H49002	59711H49002	59711H49002	59711H49002	59711H49002	59711H49002	59711H49002	BOOT, brake hose	1	5
2	59460HN9100	59460HN9100	59460HN9100	59460HN9100	59460HN9100	59460HN9100	59460HN9100	59460HN9100	HOSE COMP, FT brake R	1	5
3	09161-10005	09161-10005	09161-10005	09161-10005	09161-10005	09161-10005	09161-10005	09161-10005	WASHER, brake hose	12	80
4	59450HN9100	59450HN9100	59450HN9100	59450HN9100	59450HN9100	59450HN9100	59450HN9100	59450HN9100	HOSE COMP, front brake upper	1	5
5	69480HM8104	69480HM8104	69480HM8104	69480HM8104	69480HM8104	69480HM8104	69480HM8104	69480HM8104	HOSE COMP, rear brake	1	5
6	09161-10005	09161-10005	09161-10005	09161-10005	09161-10005	09161-10005	09161-10005	09161-10005	WASHER, rear brake fluid	4	
7	09360-10039	09360-10039	09360-10039	09360-10039	09360-10039	09360-10039	09360-10039	09360-10039	BOLT, rear brake fluid	8	40
8	59470HN9100	59470HN9100	59470HN9100	59470HN9100	59470HN9100	59470HN9100	59470HN9100	59470HN9100	HOSE COMP, FT brake L	1	5
9	09360-10039	09360-10039	09360-10039	09360-10039	09360-10039	09360-10039	09360-10039	09360-10039	BOLT, brake hose	1	
10	09408H10002	09408H10002	09408H10002	09408H10002	09408H10002	09408H10002	09408H10002	09408H10002	CLIP, ft brake hose & SP/cable	1	5

FIG 48

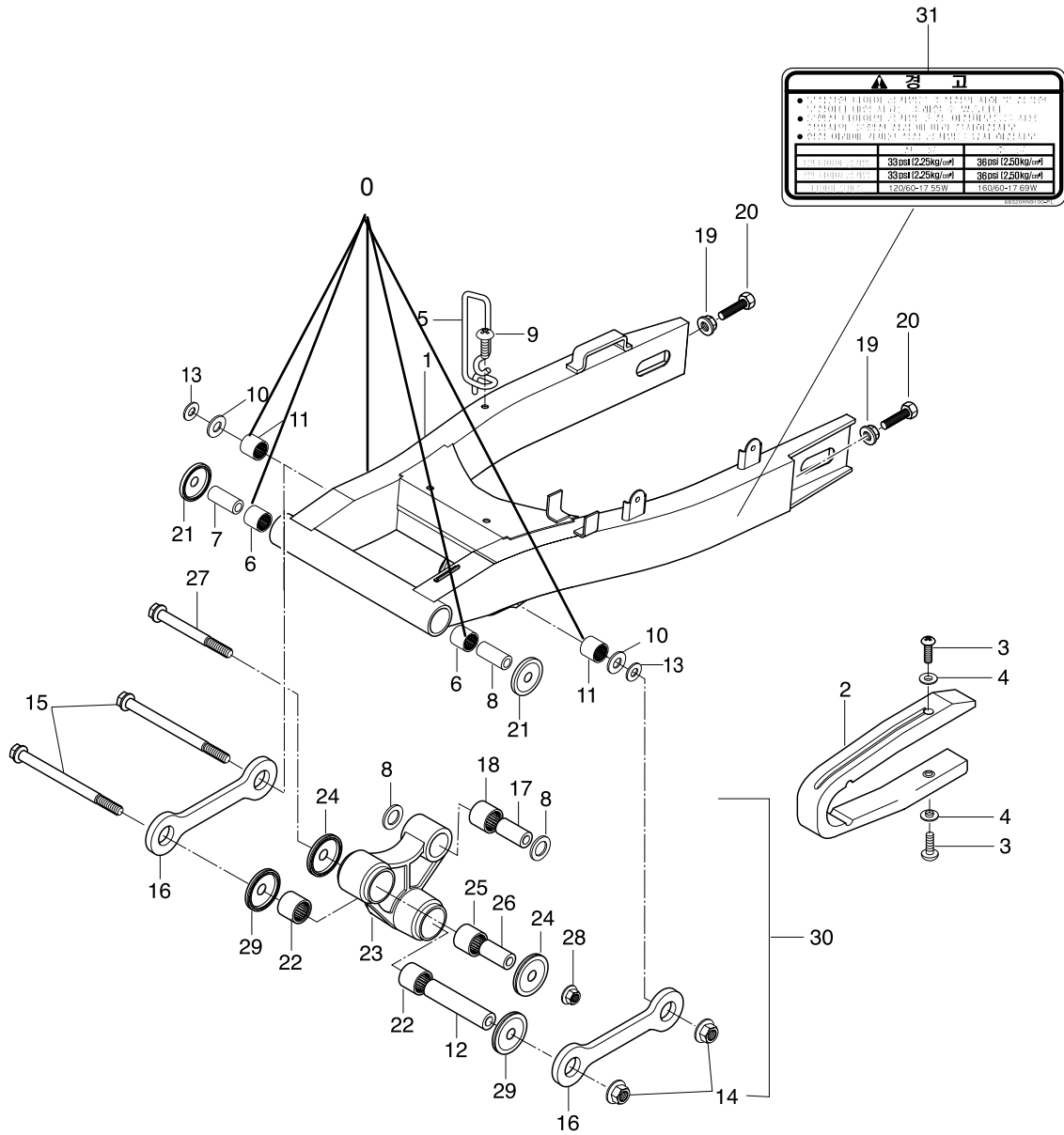


FIG 48. SWINGING ARM

REF. PART NO.	NUMBER.								PART NAME	Q'TY	REMARKS	REC.Q'TY (PCS)
NO.	DOMESTIC	NAT01	NAT02(25KW)	NEN01	NEU01(WVTA)	NEU02(WVTA 25K)	NG01	PUS01				
0	61100HN9105HPA	61100HN9105HPA	61100HN9105HPA	61100HN9105HPA	61100HN9105HPA	61100HN9105HPA	61100HN9105HPA	61100HN9105HPA	REAR SWINGARM ASS'Y	1		
1	61100HN9105	61100HN9105	61100HN9105	61100HN9105	61100HN9105	61100HN9105	61100HN9105	61100HN9105	SWINGARM COMP, rear	1		5
2	61273HN9100	61273HN9100	61273HN9100	61273HN9100	61273HN9100	61273HN9100	61273HN9100	61273HN9100	BUFFER, chain touch defense	1		5
3	02142-06166	02142-06166	02142-06166	02142-06166	02142-06166	02142-06166	02142-06166	02142-06166	BOLT, chain touch defense buffer	2		
4	09169-06032	09169-06032	09169-06032	09169-06032	09169-06032	09169-06032	09169-06032	09169-06032	WASHER, chain touch defense buffer	2		
5	61510HM8100	61510HM8100	61510HM8100	61510HM8100	61510HM8100	61510HM8100	61510HM8100	61510HM8100	GUIDE, rear brake hose No.1	1		5
6	09263-22017	09263-22017	09263-22017	09263-22017	09263-22017	09263-22017	09263-22017	09263-22017	BEARING, rear swingarm pivot	2		10
7	61252HN9100	61252HN9100	61252HN9100	61252HN9100	61252HN9100	61252HN9100	61252HN9100	61252HN9100	SPACER, rear swingarm pivot R	1		5
8	61251HM8100	61251HM8100	61251HM8100	61251HM8100	61251HM8100	61251HM8100	61251HM8100	61251HM8100	SPACER, rear swingarm pivot bearing	1		5
9	02142-06128	02142-06128	02142-06128	02142-06128	02142-06128	02142-06128	02142-06128	02142-06128	BOLT, RR brake hose guide N0.1	1		5
10	09283-20031	09283-20031	09283-20031	09283-20031	09283-20031	09283-20031	09283-20031	09283-20031	SEAL, rear cushion rod	2		10
11	09263H20003	09263H20003	09263H20003	09263H20003	09263H20003	09263H20003	09263H20003	09263H20003	BEARING, rear cushion rod	2		20
12	09180H14001	09180H14001	09180H14001	09180H14001	09180H14001	09180H14001	09180H14001	09180H14001	SPACER, rear cushion rod	1		10
13	08211-14341	08211-14341	08211-14341	08211-14341	08211-14341	08211-14341	08211-14341	08211-14341	WASHER, rear cushion rod	2		10
14	09159H14008	09159H14008	09159H14008	09159H14008	09159H14008	09159H14008	09159H14008	09159H14008	NUT, rear cushion rod	2		15
15	09103H14001	09103H14001	09103H14001	09103H14001	09103H14001	09103H14001	09103H14001	09103H14001	BOLT, rear cushion rod	2		10
16	62641HN9100	62641HN9100	62641HN9100	62641HN9100	62641HN9100	62641HN9100	62641HN9100	62641HN9100	ROD, rear cushion lever	2		10
17	09180H10073	09180H10073	09180H10073	09180H10073	09180H10073	09180H10073	09180H10073	09180H10073	SPACER, rear cushion lever rear	1		5
18	09263H17002	09263H17002	09263H17002	09263H17002	09263H17002	09263H17002	09263H17002	09263H17002	BEARING, rear cushion lever rear	1		5
19	08316-16088	08316-16088	08316-16088	08316-16088	08316-16088	08316-16088	08316-16088	08316-16088	NUT, chain adjuster	2		10
20	09103H08608	09103H08608	09103H08608	09103H08608	09103H08608	09103H08608	09103H08608	09103H08608	BOLT, chain adjuster	2		10
21	61262-45002	61262-45002	61262-45002	61262-45002	61262-45002	61262-45002	61262-45002	61262-45002	COVER, rear swingarm pivot	2		10
22	09263H20003	09263H20003	09263H20003	09263H20003	09263H20003	09263H20003	09263H20003	09263H20003	BEARING, rear cushion lever center	2		
23	62611HG5800	62611HG5800	62611HG5800	62611HG5800	62611HG5800	62611HG5800	62611HG5800	62611HG5800	LEVER, rear cushion	1		5
24	09284H33003	09284H33003	09284H33003	09284H33003	09284H33003	09284H33003	09284H33003	09284H33003	DUST SEAL, rear cushion lever front	2		10
25	09263-20073	09263-20073	09263-20073	09263-20073	09263-20073	09263-20073	09263-20073	09263-20073	BEARING, rear cushion lever front	1		5
26	09180H12001	09180H12001	09180H12001	09180H12001	09180H12001	09180H12001	09180H12001	09180H12001	SPACER, rear cushion lever front	2		5
27	09103H12046	09103H12046	09103H12046	09103H12046	09103H12046	09103H12046	09103H12046	09103H12046	BOLT, rear cushion lever front	1		5
28	08319-31128	08319-31128	08319-31128	08319-31128	08319-31128	08319-31128	08319-31128	08319-31128	NUT, rear cushion lever front	1		
29	09284H32001	09284H32001	09284H32001	09284H32001	09284H32001	09284H32001	09284H32001	09284H32001	SEAL, rear cushion lever center	2		20
30	62611HN9100HPA	62611HN9100HPA	62611HN9100HPA	62611HN9100HPA	62611HN9100HPA	62611HN9100HPA	62611HN9100HPA	62611HN9100HPA	LEVER, REAR cushion ASS'Y	1		
31	68320HN9100PL	68320HN9150PL	68320HN9150PL	68320HN9150PL	68320HN9150PL	68320HN9150PL	68320HN9150PL	68320HN9150PL	LABEL, chain case	1		5

FIG 49

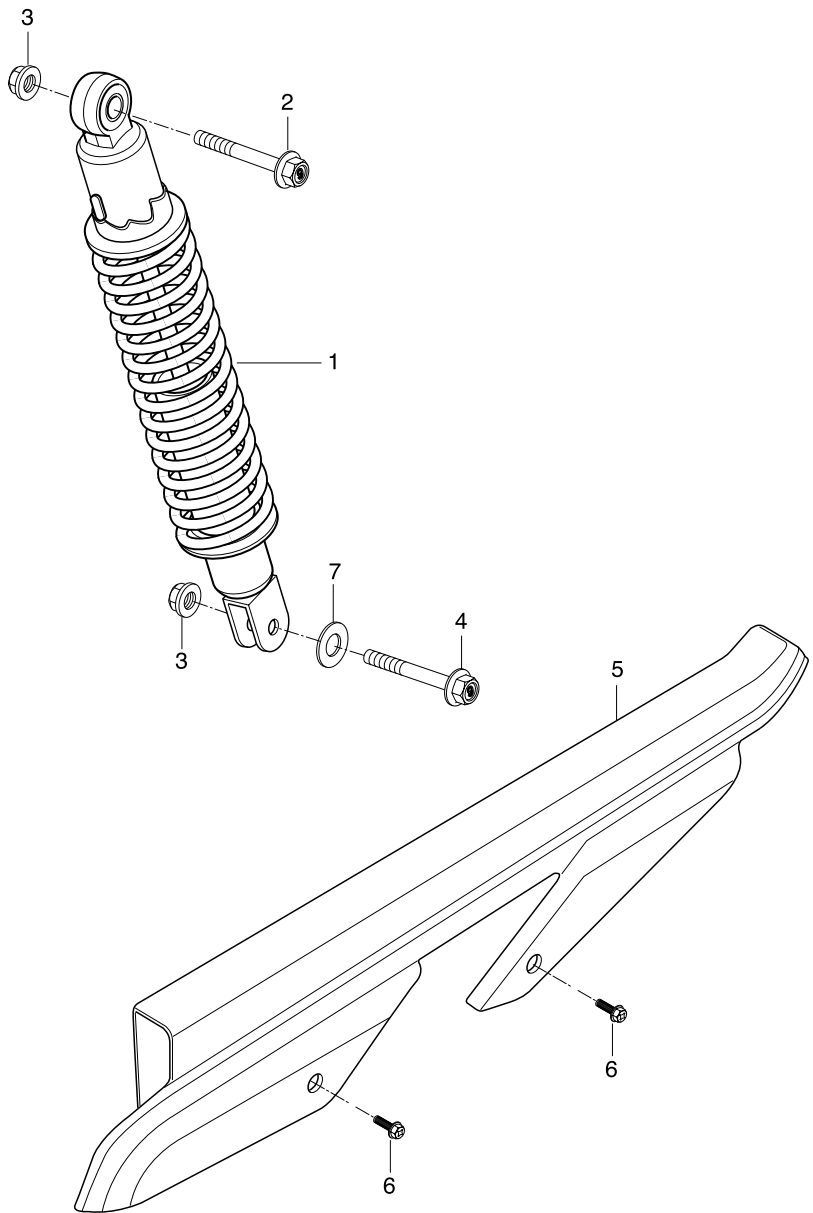


FIG 49. REAR SHOCK ABSORBER

REF. PART NO.	NUMBER.								PART NAME	Q`TY	REMARKS	REC.Q`TY (PCS)
	DOMESTIC	NAT01	NAT02(25KW)	NEN01	NEU01(WVTA)	NEU02(WVTA 25K)	NG01	PUS01				
1	62100HN9100	62100HN9100	62100HN9100	62100HN9100	62100HN9100	62100HN9100	62100HN9100	62100HN9100	SHOCK ABSORBER ASS'Y rear	1	~KM4MP51A341100140	5
1~1		62100HN9150		62100HN9150	62100HN9150	62100HN9150	62100HN9150		SHOCK ABSORBER ASS'Y rear	1	KM4MP51A341100141~	5
2	09103H10101	09103H10101	09103H10101	09103H10101	09103H10101	09103H10101	09103H10101	09103H10101	BOLT, rear shock absorber upper	1		10
3	08319-31108	08319-31108	08319-31108	08319-31108	08319-31108	08319-31108	08319-31108	08319-31108	NUT, rear shock absorber upper	2		
4	09103H10101	09103H10101	09103H10101	09103H10101	09103H10101	09103H10101	09103H10101	09103H10101	BOLT, rear shock absorber lower	1		
5	61310HM8102	61310HM8102	61310HM8102	61310HM8102	61310HM8102	61310HM8102	61310HM8102	61310HM8102	CASE COMP, chain	1		5
6	09111H06066	09111H06066	09111H06066	09111H06066	09111H06066	09111H06066	09111H06066	09111H06066	BOLT, chain case	2		
7	09160-10001	09160-10001	09160-10001	09160-10001	09160-10001	09160-10001	09160-10001	09160-10001	WASHER, rear shock absorber lower	1		5

FIG 50

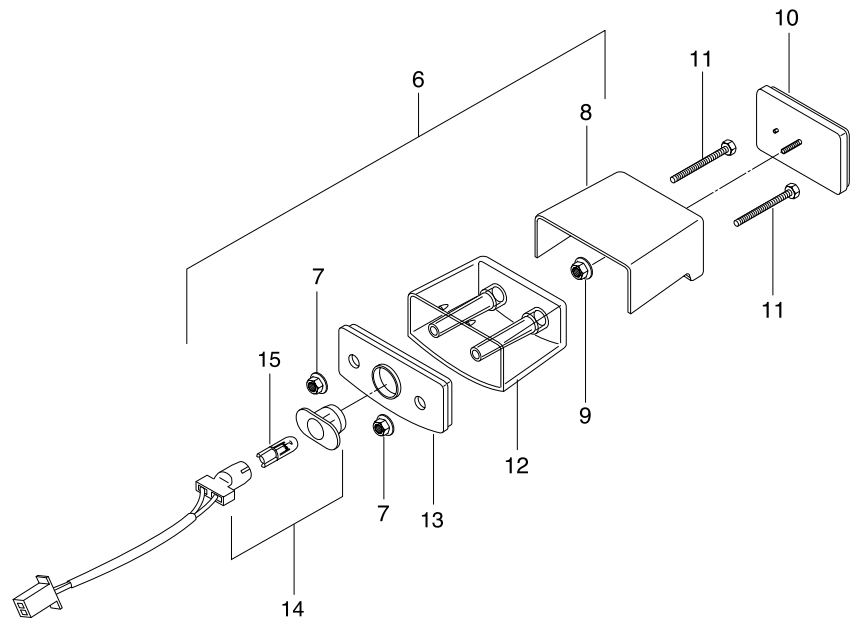
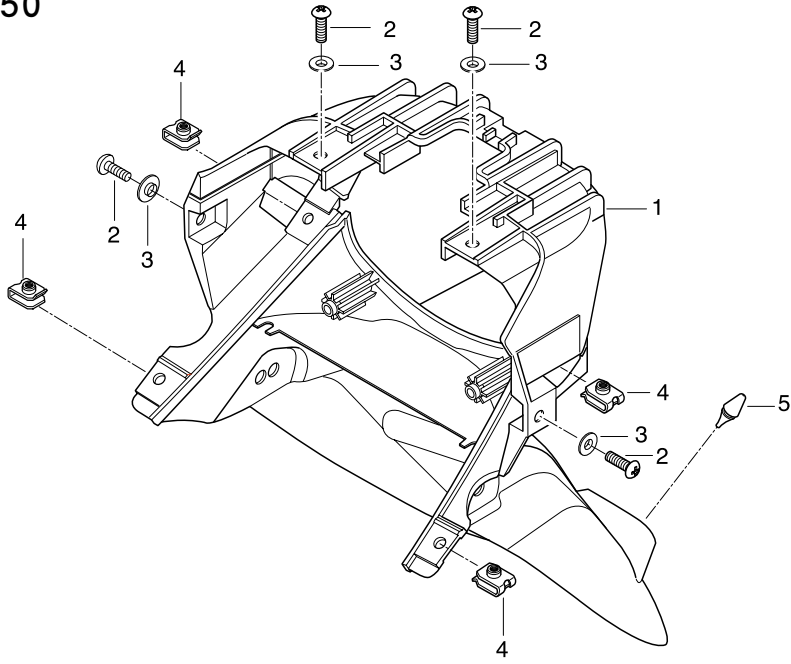


FIG 50. REAR FENDER

REF. PART NO.	NUMBER.	NAT01	NAT02(25KW)	NEN01	NEU01(WVTA)	NEU02(WVTA 25K)	NG01	PUS01	PART NAME	Q`TY	REMARKS	REC.Q`TY (PCS)
1	63111HM810112A	63111HM810112A	63111HM810112A	63111HM810112A	63111HM810112A	63111HM810112A	63111HM810112A	63111HM810112A	FENDER, rear	1		5
2	01517-06206	01517-06206	01517-06206	01517-06206	01517-06206	01517-06206	01517-06206	01517-06206	BOLT, rr fender	4		
3	09169-06032	09169-06032	09169-06032	09169-06032	09169-06032	09169-06032	09169-06032	09169-06032	WASHER, rr fender	4		
4	09148-05039	09148-05039	09148-05039	09148-05039	09148-05039	09148-05039	09148-05039	09148-05039	NUT, rr fender	4		
5	09321-06023	09321-06023	09321-06023	09321-06023	09321-06023	09321-06023	09321-06023	09321-06023	CUSHION, license plate	1		5
6	35910HM8100	35910HM8100	35910HM8100	35910HG5150	35910HG5150	35910HG5150	35910HG5150	35910HG5150	LAMP ASS`Y, license plate	1		5
7	08316-26055	08316-26055	08316-26055	08316-26055	08316-26055	08316-26055	08316-26055	08316-26055	NUT, license lamp(M5)	2		15
8	35915HL7300	35915HL7300	35915HL7300	35915HL7300	35915HL7300	35915HL7300	35915HL7300	35915HL7300	COVER, license lamp	2		
9	08316-26055	08316-26055	08316-26055	08316-26055	08316-26055	08316-26055	08316-26055	08316-26055	NUT, license lamp	2		
10	35970-17303	35970-17303	35970-17303	35970-17303	35970-17303	35970-17303	35970-17303	35970-17303	REFLEX REFLECTOR ASS`Y, rear	1		5
11	01107-05605	01107-05605	01107-05605	01107-05605	01107-05605	01107-05605	01107-05605	01107-05605	SCREW, license lamp	2		10
12	35911HG5800	35911HG5800	35911HG5800	35911HG5800	35911HG5800	35911HG5800	35911HG5800	35911HG5800	LENS, license	1		
13	35912HG5800	35912HG5800	35912HG5800	35912HG5800	35912HG5800	35912HG5800	35912HG5800	35912HG5800	HOUSING, license	1		
14	35916HG5800	35916HG5850	35916HG5850	35916HG5850	35916HG5850	35916HG5850	35916HG5850	35916HG5850	CORD ASS`Y	1		
15	09471-12210	09471-12210	09471-12210	09471-12110	09471-12110	09471-12110	09471-12110	09471-12110	BULB, license lamp(12V/5W)	1		

FIG 51

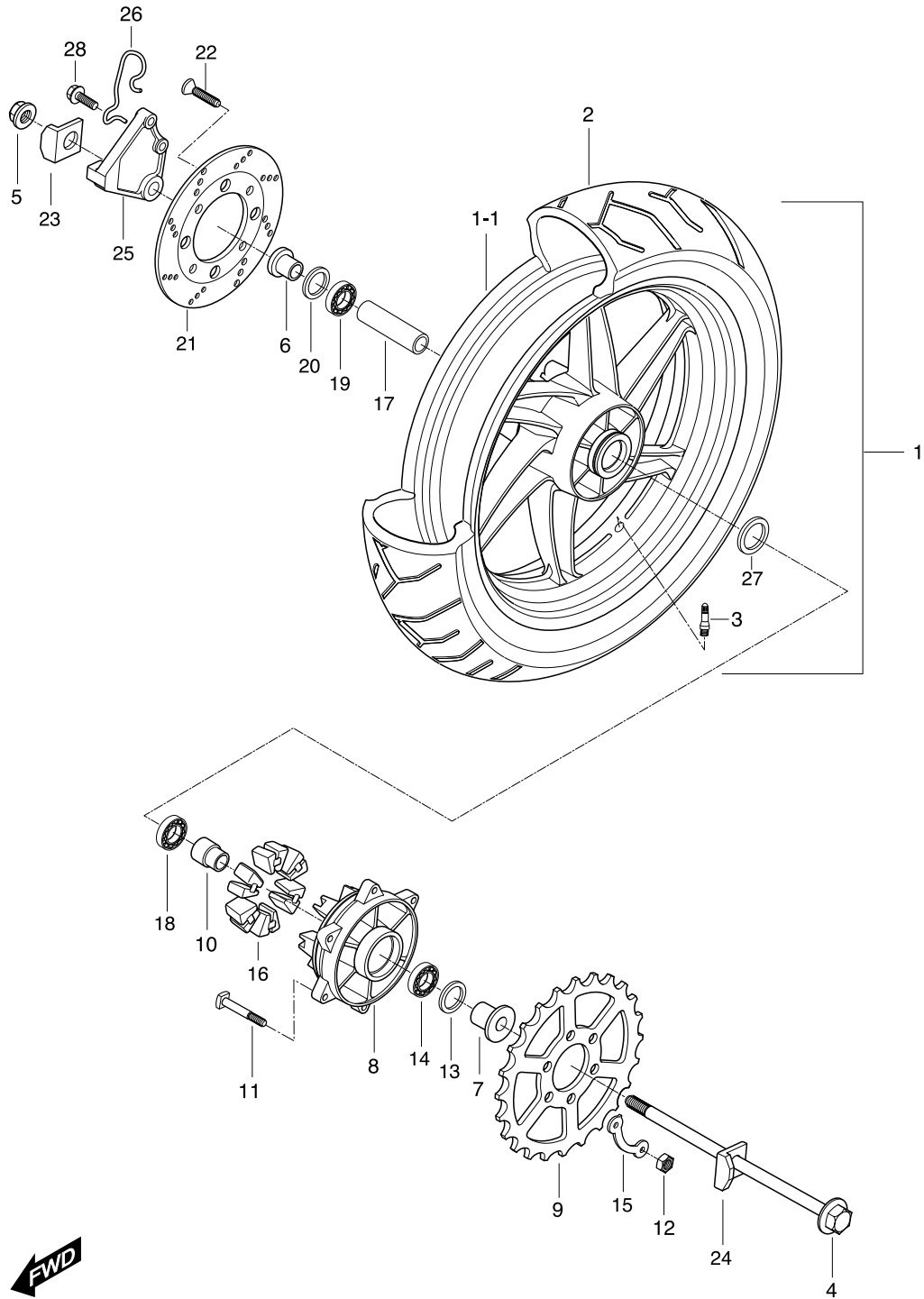


FIG 51. REAR WHEEL

REF. PART NO.	NUMBER.								PART NAME	Q'TY	REMARKS	REC.Q'TY (PCS)
NO.	DOMESTIC	NAT01	NAT02(25KW)	NEN01	NEU01(WVTA)	NEU02(WVTA 25K)	NG01	PUS01				
1	64150SN9100HPA	64150SN9100HPA	64150SN9100HPA	64150SN9100HPA	64150SN9100HPA	64150SN9100HPA	64150SN9100HPA	64150SN9100HPA	WHEEL + TIRE REAR ASS'Y.	1		
1-1	64150HN9100	64150HN9100	64150HN9100	64150HN9100	64150HN9100	64150HN9100	64150HN9100	64150HN9100	WHEEL COMP, rear (J17xMT4.50)	1		5
2	65100HN9101	65100HN9101	65100HN9101	65100HN9101	65100HN9101	65100HN9101	65100HN9101	65100HN9101	TIRE COMP, rear (160/60-17 69W)	1		5
3	55220-29C20	55220-29C20	55220-29C20	55220-29C20	55220-29C20	55220-29C20	55220-29C20	55220-29C20	VALVE ASS'Y, wheel rim	1		
4	64711HN9101	64711HN9101	64711HN9101	64711HN9101	64711HN9101	64711HN9101	64711HN9101	64711HN9101	AXLE, rear	1		5
5	09159H16002	09159H16002	09159H16002	09159H16002	09159H16002	09159H16002	09159H16002	09159H16002	NUT, rear axle	1		5
6	64741HM8100	64741HM8100	64741HM8100	64741HM8100	64741HM8100	64741HM8100	64741HM8100	64741HM8100	SPACER, rear axle R	1		5
7	64751HM8100	64751HM8100	64751HM8100	64751HM8100	64751HM8100	64751HM8100	64751HM8100	64751HM8100	SPACER, rear axle L	1		5
8	64611HN910103P	64611HN910103P	64611HN910103P	64611HN910103P	64611HN910103P	64611HN910103P	64611HN910103P	64611HN910103P	DRUM, rear sprocket mounting	1		5
8~1									DRUM, rear sprocket mounting	1	KM4MP51A961103550~	5
9	64511HN9101	64511HN9101	64511HN9101	64511HN9101	64511HN9101	64511HN9101	64511HN9101	64511HN9101	SPROCKET, rear(44T)	1		5
10	64733HM8100	64733HM8100	64733HM8100	64733HM8100	64733HM8100	64733HM8100	64733HM8100	64733HM8100	RETAINER, rear sprocket drum	1		5
11	01517-08358	01517-08358	01517-08358	01517-08358	01517-08358	01517-08358	01517-08358	01517-08358	BOLT, rear sprocket	6		40
12	08319-31088	08319-31088	08319-31088	08319-31088	08319-31088	08319-31088	08319-31088	08319-31088	NUT, rear sprocket	6		30
13	09285-28001	09285-28001	09285-28001	09285-28001	09285-28001	09285-28001	09285-28001	09285-28001	OIL SEAL, rear sprocket mounting dr	1		5
14	08133-62047	08133-62047	08133-62047	08133-62047	08133-62047	08133-62047	08133-62047	08133-62047	BEARING, rear sprocket mounting dr	1		5
15									WASHER, rear sprocket	3	NOT SALE	
16	64651HM8101	64651HM8101	64651HM8101	64651HM8101	64651HM8101	64651HM8101	64651HM8101	64651HM8101	SHOCKABSORBER, rear wheel	6		30
17	64731HM8100	64731HM8100	64731HM8100	64731HM8100	64731HM8100	64731HM8100	64731HM8100	64731HM8100	SPACER, rear wheel bearing	1		5
18	08133-62037	08133-62037	08133-62037	08133-62037	08133-62037	08133-62037	08133-62037	08133-62037	BEARING, rear wheel L	1		10
19	08133-62037	08133-62037	08133-62037	08133-62037	08133-62037	08133-62037	08133-62037	08133-62037	BEARING, rear wheel R	1		
20	09283-27010	09283-27010	09283-27010	09283-27010	09283-27010	09283-27010	09283-27010	09283-27010	O-RING, rear hub R	1		5
21	69211HM8101	69211HM8101	69211HM8101	69211HM8101	69211HM8101	69211HM8101	69211HM8101	69211HM8101	DISK, rear brake	1		
22	59421-03A01	59421-03A01	59421-03A01	59421-03A01	59421-03A01	59421-03A01	59421-03A01	59421-03A01	BOLT, rear brake disk	6		
23	61411HN9100	61411HN9100	61411HN9100	61411HN9100	61411HN9100	61411HN9100	61411HN9100	61411HN9100	PLATE, chain adjuster R	1		5
24	61511HN9100	61511HN9100	61511HN9100	61511HN9100	61511HN9100	61511HN9100	61511HN9100	61511HN9100	PLATE, chain adjuster L	1		5
25	69340HM810303P	69340HM810303P	69340HM810303P	69340HM810303P	69340HM810303P	69340HM810303P	69340HM810303P	69340HM810303P	CARRIER, caliper	1		5
25~1									CARRIER, caliper	1	KM4MP51A961103550~	5
26	61610HM8101	61610HM8101	61610HM8101	61610HM8101	61610HM8101	61610HM8101	61610HM8101	61610HM8101	GUIDE, rr brake hose NO. 2	1		5
27	09280-55001	09280-55001	09280-55001	09280-55001	09280-55001	09280-55001	09280-55001	09280-55001	O-RING, rear hub L	1		5
28	01517-06128	01517-06128	01517-06128	01517-06128	01517-06128	01517-06128	01517-06128	01517-06128	BOLT, rr brake hose guide NO. 2	1		

FIG 52

1

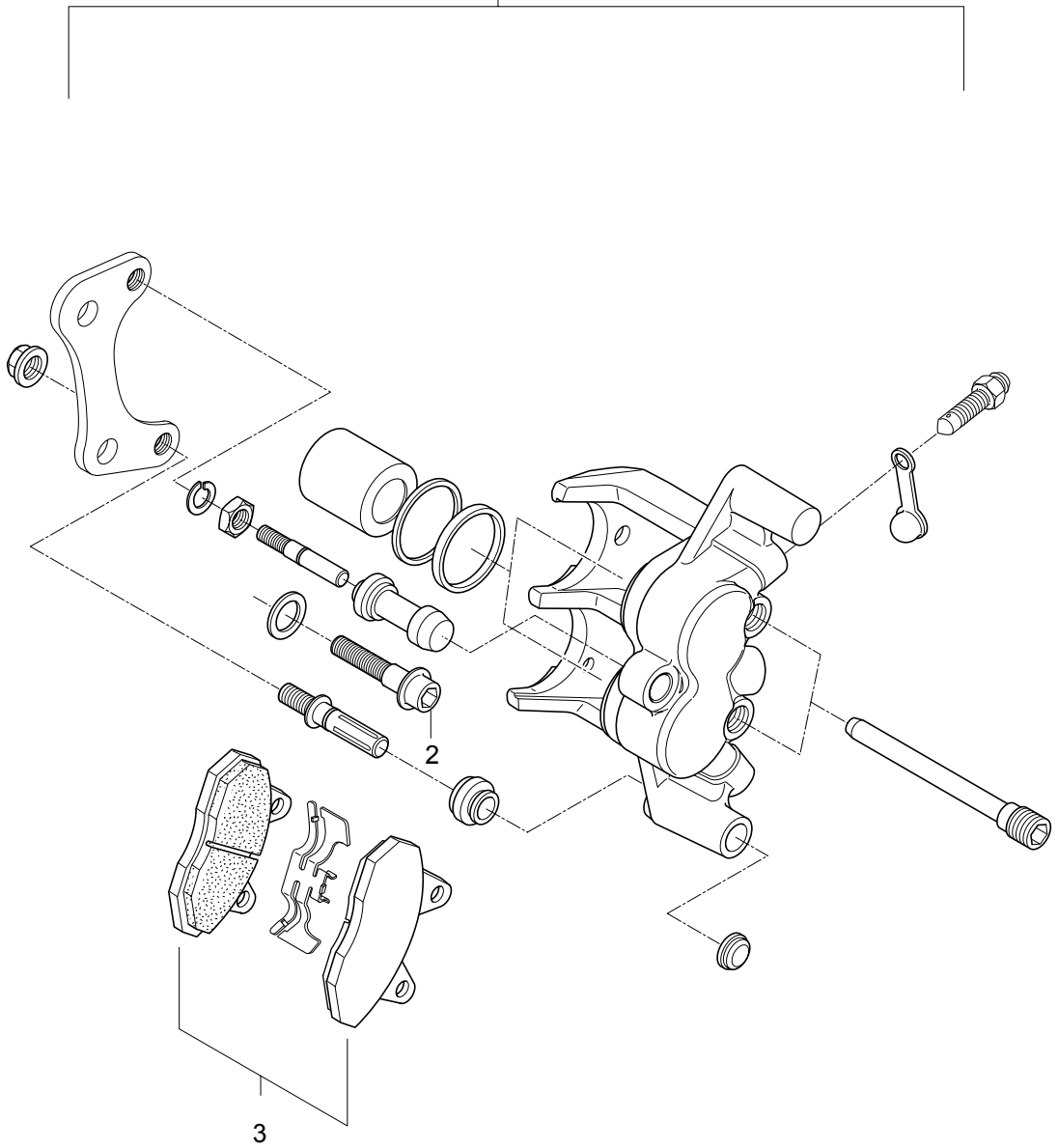


FIG 52. REAR CALIPER

REF. PART NUMBER.									PART NAME	Q'TY	REMARKS	REC.Q'TY
NO.	DOMESTIC	NAT01	NAT02(25KW)	NEN01	NEU01(WVTA)	NEU02(WVTA 25K)	NG01	PUS01			(PCS)	
1	69300HN9100	69300HN9100	69300HN9100	69300HN9100	69300HN9100	69300HN9100	69300HN9100		CALIPER ASS'Y, rear brake	1		5
1-1	69300HN9101	69300HN9101	69300HN9101	69300HN9101	69300HN9101	69300HN9101	69300HN9101	69300HN9101	CALIPER ASS'Y, rear brake	1	~KM4MP51A751103499	5
1-2	69300HP9500	69300HP9500	69300HP9500	69300HP9500	69300HP9500	69300HP9500	69300HP9500	69300HP9500	CALIPER ASS'Y, rear brake	1	KM4MP51A751103500~	5
1-3	69300HN9102	69300HN9102	69300HN9102	69300HN9102	69300HN9102	69300HN9102	69300HN9102	69300HN9102	CALIPER ASS'Y, rear brake	1	KM4MP578061103554 ~	5
2	09103H08254	09103H08254	09103H08254	09103H08254	09103H08254	09103H08254	09103H08254	09103H08254	BOLT, caliper	2		
3	59300HG5800	59300HG5800	59300HG5800	59300HG5800	59300HG5800	59300HG5800	59300HG5800	59300HG5800	PAD SET(7.4t)	1	~KM4MP51C251101116	
3-1	59301HP9500	59301HP9500	59301HP9500	59301HP9500	59301HP9500	59301HP9500	59301HP9500	59301HP9500	PAD SET(8.4t)	1	KM4MP51C251101117 ~	5