

## PREFACE

1.This master price list of GV250 was newly prepared and the prices herein will be effective on orders received by us and after March 19, 2003.

Any price list of GV250 issued previously is no longer valid.

2.This master price list is based on US\$ and EUR, and the prices are per a piece, not per sales unit.

3.Prices and sales unit in this master price list may be changed without prior notice.

**HYOSUNG MOTORS & MACHINERY INC.**

## REFERENCE

1. Table of specification classified by special country code (registered in March 19, 2003)

- 1) KEN01 : UK
- 2) KEU01 : ALGERIA, BRAZIL, CROATIA, CZECH, CYPRUS, DENMARK, FINLAND, FRANCE, GREECE, HONDURAS, HUNGARY, INDIA, ITALY, MEXICO, NETHERLANDS, PORTUGAL, SLOVENIA, SPAIN, SUDAN, SWEDEN
- 3) KG01 : GERMANY
- 4) LAT01 : AUSTRALIA
- 5) LUS01 : AMERITECH

2. Special demand

When you order plastic covers including Fuel tank, please add color code to the end of parts number and it will be helpful to register your parts order.

Color code : CPM(MIDNIGHT BLACK + RED), CWW(WINE BROWN + WHITE), CRS(RED + SILVER), CMS(BLACK + SILVER), CMB(Midnight Black)

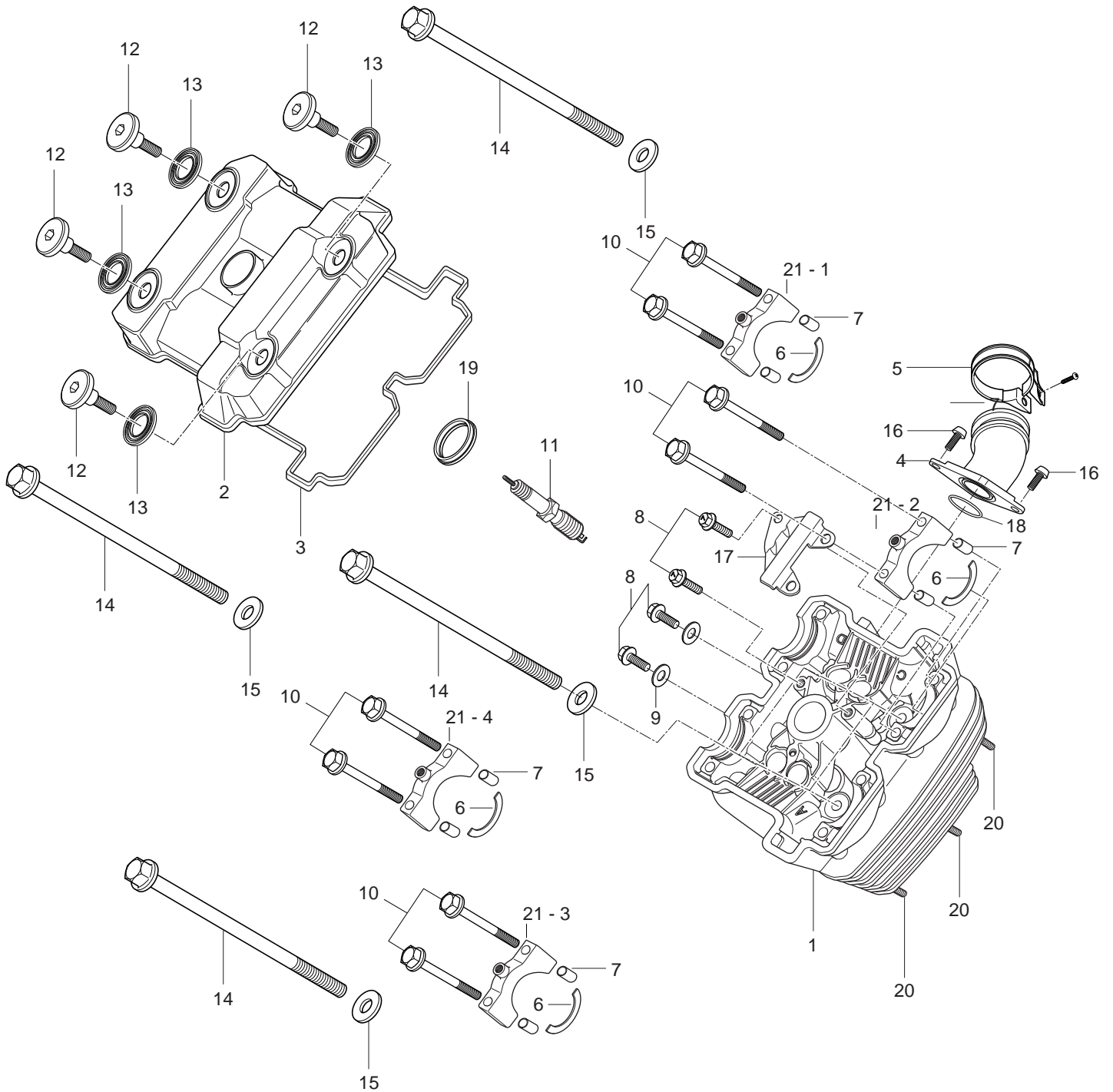
**HYOSUNG MOTORS & MACHINERY INC.**



# FIG 1-1. CYLINDER HEAD/(REAR)

REI PARTS NO.					PARTS NAME	Q`T	REMARKS	REC.Q`TY / 100 Units
NO.	ST01	KEU01 / KG01	KEN01 / LAT01	LUS01				(PCS)
1	11110SJ8201HPA	11110SJ8290HPA	11110SJ8290HPA	11110SJ8201HPA	HEAD COMP, cylinder	1		
2	11171HG510203P	11171HG510203P	11171HG510203P	11171HG510203P	COVER, cylinder head(pearl metallic)	1		3
3	11173HG5100	11173HG5100	11173HG5100	11173HG5100	GASKET,cylinder head cover NO.1	1		10
4	13120HJ8201	13120HJ8201	13120HJ8201	13120HJ8201	PIPE COMP, intake rear	1	KEN01	5
4~1	13120HJ8204	13120HJ8204	13120HJ8204	13120HJ8204	PIPE COMP, intake rear	1	LAT01	
5	09402-44207	09402-44207	09402-44207	09402-44207	CLAMP, carburetor	1		
6	09390-35001	09390-35001	09390-35001	09390-35001	C-RING, camshaft	4		12
7	09206-08001	09206-08001	09206-08001	09206-08001	PIN, camshaft housing knock	8		20
8	01517-06128	01517-06128	01517-06128	01517-06128	BOLT, oil galley(M6*12)	4		20
9	09168H06019	09168H06019	09168H06019	09168H06019	GASKET, oil falley boit	2		20
10	09103-06013	09103-06013	09103-06013	09103-06013	BOLT,camshaft housing (M6*20)	8		20
11	09482-00456	09482-00456	09482-00456	09482-00456	PLUG, spark CR8E	1		10
12	09109H07018	09109H07018	09109H07018	09109H07018	BOLT, cylinder head cover (M7*17.5)	4		12
13	09161H11008	09161H11008	09161H11008	09161H11008	WASHER, cyitnder head cover	4		12
14	09103H08306	09103H08306	09103H08306	09103H08306	BOLT, cylinder head L =130	4		12
15	09168-08021	09168-08021	09168-08021	09168-08021	GASKET, cylinder head bolt	4		20
16	09119H06002	09119H06002	09119H06002	09119H06002	BOLT, intake pipe (M6*16)	2		6
17	12782-35C00	12782-35C00	12782-35C00	12782-35C00	GUIDE, camchain NO.2	1		4
18	09280H32006	09280H32006	09280H32006	09280H32006	O-RING, intake pipe	1		4
19	11178-17E00	11178-17E00	11178-17E00	11178-17E00	GASKET, cylinder head cover NO.2	1		5
20	01421-06258	01421-06258	01421-06258	01421-06258	BOLT, cylinder head stud(M6*25)	3		9
21-1	11121-35C00PCH	11121-35C00PCH	11121-35C00PCH	11121-35C00PCH	HOUSING,camshaft No.1	1		2
21-2	11122-35C00PCH	11122-35C00PCH	11122-35C00PCH	11122-35C00PCH	HOUSING,camshaft No.2	1		2
21-3	11123-35C00PCH	11123-35C00PCH	11123-35C00PCH	11123-35C00PCH	HOUSING,camshaft No.3	1		2
21-4	11124-35C00PCH	11124-35C00PCH	11124-35C00PCH	11124-35C00PCH	HOUSING,camshaft No.4	1		2

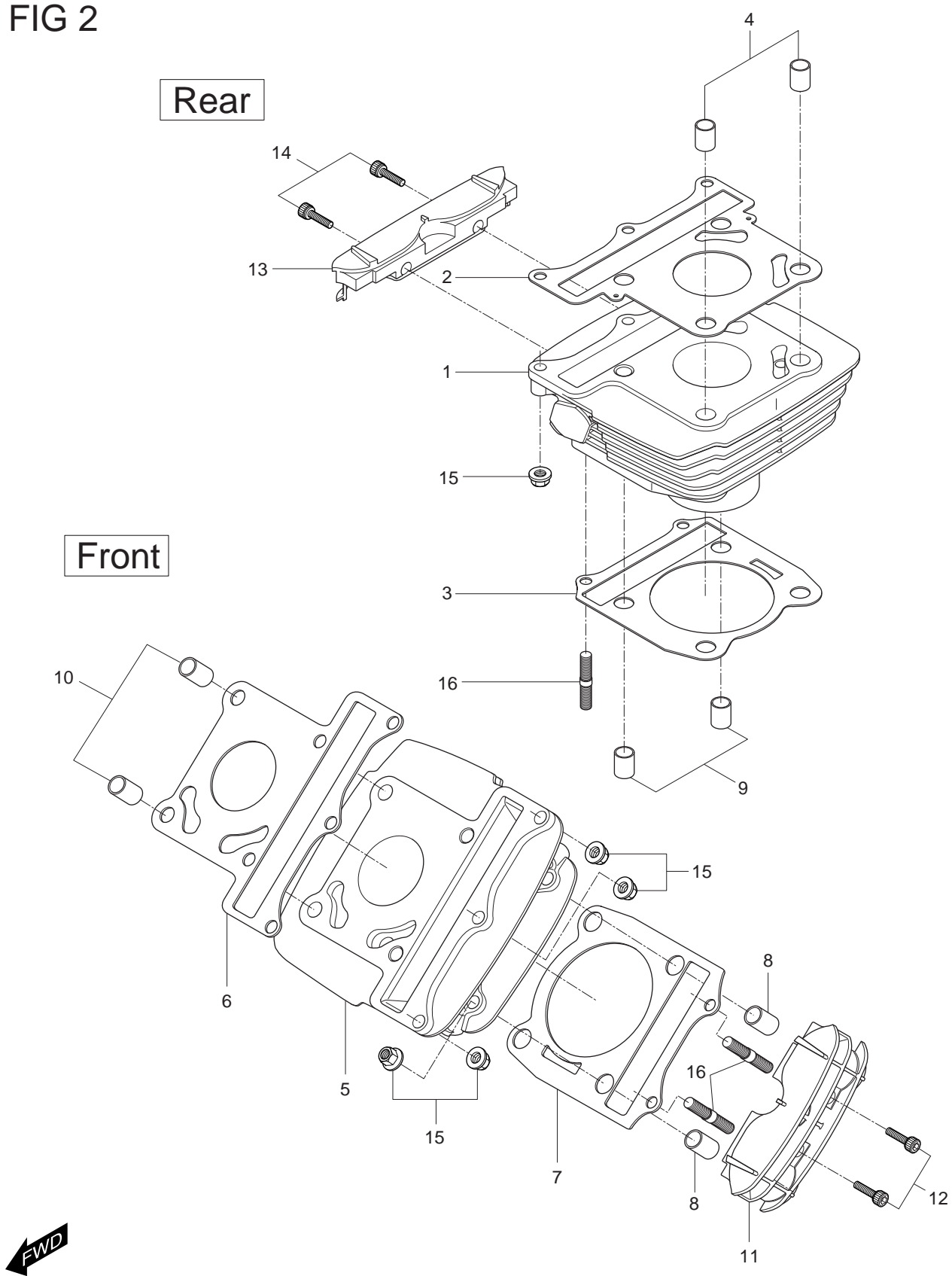
FIG 1-2



# FIG 1-2. CYLINDER HEAD/(FRONT)

REI PARTS NO.					PARTS NAME	Q`T	REMARKS
NO.	ST01	KEU01 / KG01	KEN01 / LAT01	LUS01			
1	11110SJ8201HPA	11110SJ8290HPA	11110SJ8290HPA	11110SJ8201HPA	HEAD COMP, cylinder	1	3
2	11171HG510203P	11171HG510203P	11171HG510203P	11171HG510203P	COVER, cylinder head(pearl metallic)	1	
3	11173HG5100	11173HG5100	11173HG5100	11173HG5100	GASKET,cylinder head cover NO.1	1	
4	13110HJ8202	13110HJ8202	13110HJ8202	13110HJ8202	PIPE COMP, intake front	1	~KM4MJ51A741206544
4~1	13110HJ8204	13110HJ8204	13110HJ8204	13110HJ8204	PIPE COMP, intake front	1	KM4MJ51A741206545 ~
5	09402-44207	09402-44207	09402-44207	09402-44207	CLAMP, carburetor	1	5
6	09390-35001	09390-35001	09390-35001	09390-35001	C-RING, camshaft	4	
7	09206-08001	09206-08001	09206-08001	09206-08001	PIN, camshaft housing knock	8	
8	01517-06128	01517-06128	01517-06128	01517-06128	BOLT, oil galley(M6*12)	4	
9	09168H06019	09168H06019	09168H06019	09168H06019	GASKET, oil galley boit	2	
10	09103-06013	09103-06013	09103-06013	09103-06013	BOLT,camshaft housing (M6*20)	8	
11	09482-00456	09482-00456	09482-00456	09482-00456	PLUG, spark CR8E	1	
12	09109H07018	09109H07018	09109H07018	09109H07018	BOLT, cylinder head cover (M7*17.5)	4	
13	09161H11008	09161H11008	09161H11008	09161H11008	WASHER, cyitnder head cover	4	
14	09103H08306	09103H08306	09103H08306	09103H08306	BOLT, cylinder head L =130	4	
15	09168-08021	09168-08021	09168-08021	09168-08021	GASKET, cylinder head bolt	4	
16	09119H06002	09119H06002	09119H06002	09119H06002	BOLT, intake pipe (M6*16)	2	
17	12782-35C00	12782-35C00	12782-35C00	12782-35C00	GUIDE, camchain NO.2	1	
18	09280H32006	09280H32006	09280H32006	09280H32006	O-RING, intake pipe	1	
19	11178-17E00	11178-17E00	11178-17E00	11178-17E00	GASKET, cylinder head cover NO.2	1	
20	01421-06258	01421-06258	01421-06258	01421-06258	BOLT, cylinder head stud(M6*25)	3	
21-1	11121-35C00PCH	11121-35C00PCH	11121-35C00PCH	11121-35C00PCH	HOUSING,camshaft No.1	1	
21-2	11122-35C00PCH	11122-35C00PCH	11122-35C00PCH	11122-35C00PCH	HOUSING,camshaft No.2	1	
21-3	11123-35C00PCH	11123-35C00PCH	11123-35C00PCH	11123-35C00PCH	HOUSING,camshaft No.3	1	
21-4	11124-35C00PCH	11124-35C00PCH	11124-35C00PCH	11124-35C00PCH	HOUSING,camshaft No.4	1	

FIG 2

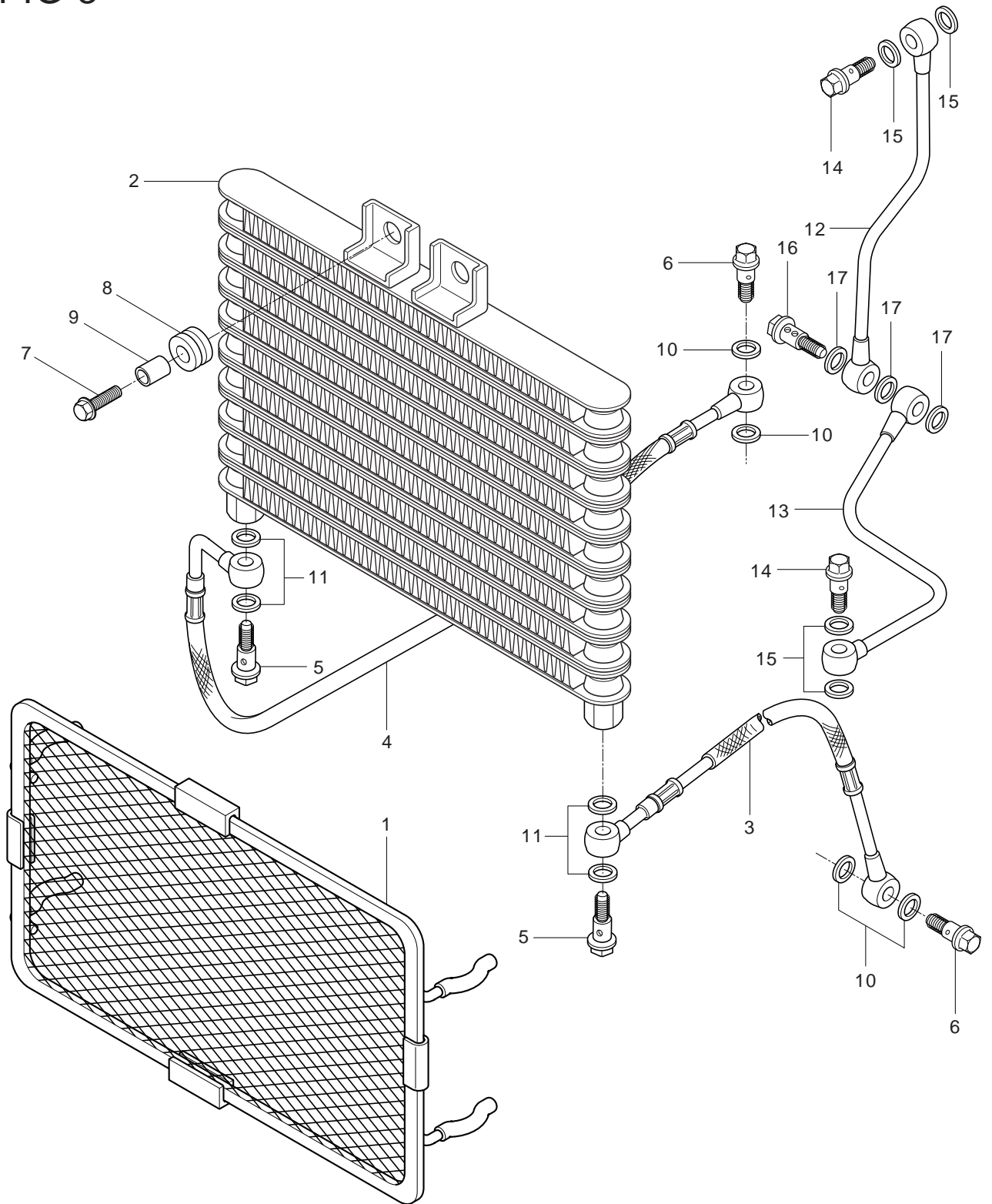


## FIG 2. CYLINDER/FRONT,REAR

REI PARTS NO.					PARTS NAME	Q`T REMARKS	
NO.	ST01	KEU01 / KG01	KEN01 / LAT01	LUS01			
1	11220HJ8210PCY	11220HJ8210PCY	11220HJ8210PCY	11220HJ8210PCY	CYLINDER COMP, rear	1	3
2	11141HJ8210	11141HJ8210	11141HJ8210	11141HJ8210	GASKET, cylinder head	1	10
3	11241HG5103	11241HG5103	11241HG5103	11241HG5103	GASKET, cylinder rear	1	10
4	04213-11169	04213-11169	04213-11169	04213-11169	PIN, cylinder head knock rear	2	6
5	11210HJ8210PCY	11210HJ8290PCY	11210HJ8210PCY	11210HJ8210PCY	CYLINDER COMP, front	1	KEN01 3
			11210HJ8290PCY		CYLINDER COMP, front	1	LAT01
6	11141HJ8210	11141HJ8210	11141HJ8210	11141HJ8210	GASKET, cylinder head	1	10
7	11241HG5103	11241HG5103	11241HG5103	11241HG5103	GASKET, cylinder front	1	10
8	04213-11149	04213-11149	04213-11149	04213-11149	KNOCK PIN, cylinder rear	2	6
9	04213-11149	04213-11149	04213-11149	04213-11149	KNOCK PIN, cylinder front	2	6
10	04213-11169	04213-11169	04213-11169	04213-11169	PIN, cylinder head knock front	2	6
11	11251HG510003P	11251HG510003P	11251HG510003P	11251HG510003P	FIN, cylinder front(pearl metallic)	1	3
12	07110-05168	07110-05168	07110-05168	07110-05168	BOLT, cylinder fin rear(M5*16)	2	6
13	11251HG510003P	11251HG510003P	11251HG510003P	11251HG510003P	FIN, cylinder front(pearl metallic)	1	3
14	07110-05168	07110-05168	07110-05168	07110-05168	BOLT, cylinder fin rear(M5*16)	2	6
15	08316-16068	08316-16068	08316-16068	08316-16068	NUT, cylinder head(M6)	10	30
16	01421-06258	01421-06258	01421-06258	01421-06258	BOLT, cylinder stud(M6*25)	4	12



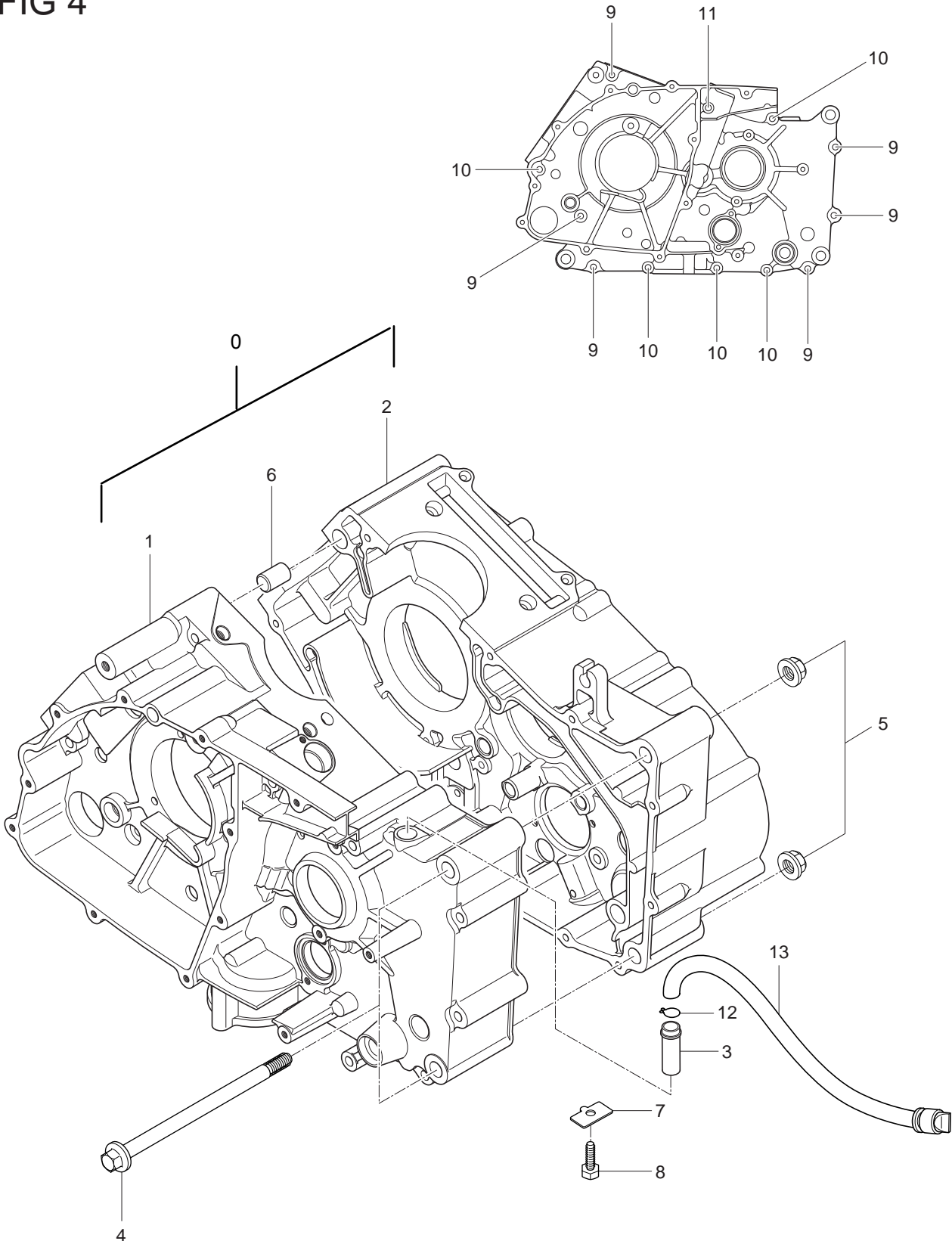
FIG 3



# FIG 3. OIL COOLER

REI PARTS NO.					PARTS NAME	Q`T	REMARKS
NO.	ST01	KEU01 / KG01	KEN01 / LAT01	LUS01			
1	16810HJ8201	16810HJ8201	16810HJ8201	16810HJ8201	GRILLE COMP, oil cooler No.1	1	5
2	16600HJ8200121	16600HJ8200121	16600HJ8200121	16600HJ8200121	COOLER ASS'Y, oil(black)	1	5
3	16460HJ8200	16460HJ8200	16460HJ8200	16460HJ8200	HOSE COMP, oil cooler NO.1	1	5
4	16470HJ8200	16470HJ8200	16470HJ8200	16470HJ8200	HOSE COMP, oil cooler NO.2	1	5
5	09360H12007	09360H12007	09360H12007	09360H12007	BOLT, oil cooler hose union NO.2 (M12*27.5	2	10
6	09360H10034	09360H10034	09360H10034	09360H10034	BOLT, oil cooler hose union NO.1 (M10*24)	2	10
7	09116-06143	09116-06143	09116-06143	09116-06143	BOLT, oil cooler(M6*14)	2	10
8	09320-10015	09320-10015	09320-10015	09320-10015	CUSHION, oil cooler	2	
9	09180-06030	09180-06030	09180-06030	09180-06030	SPACER, oil cooler	2	
10	09161-10009	09161-10009	09161-10009	09161-10009	GASKET, oil cooler NO.1	4	15
11	09168-14011	09168-14011	09168-14011	09168-14011	GASKET, oil cooler NO.2	4	16
12	11280HG5101	11280HG5101	11280HG5101	11280HG5101	PIPE COMP, oil front	1	3
13	11290HG5101	11290HG5101	11290HG5101	11290HG5101	PIPE COMP, oil rear	1	3
14	09360H10034	09360H10034	09360H10034	09360H10034	UNION BOLT, oil pipe upper (M10*24)	2	10
15	09161-10009	09161-10009	09161-10009	09161-10009	GASKET, oil pipe upper	4	16
16	15331HG5101	15331HG5101	15331HG5101	15331HG5101	UNION BOLT, oil pipe lower	1	5
17	09161-10009	09161-10009	09161-10009	09161-10009	GASKET, oil pipe lower	3	16

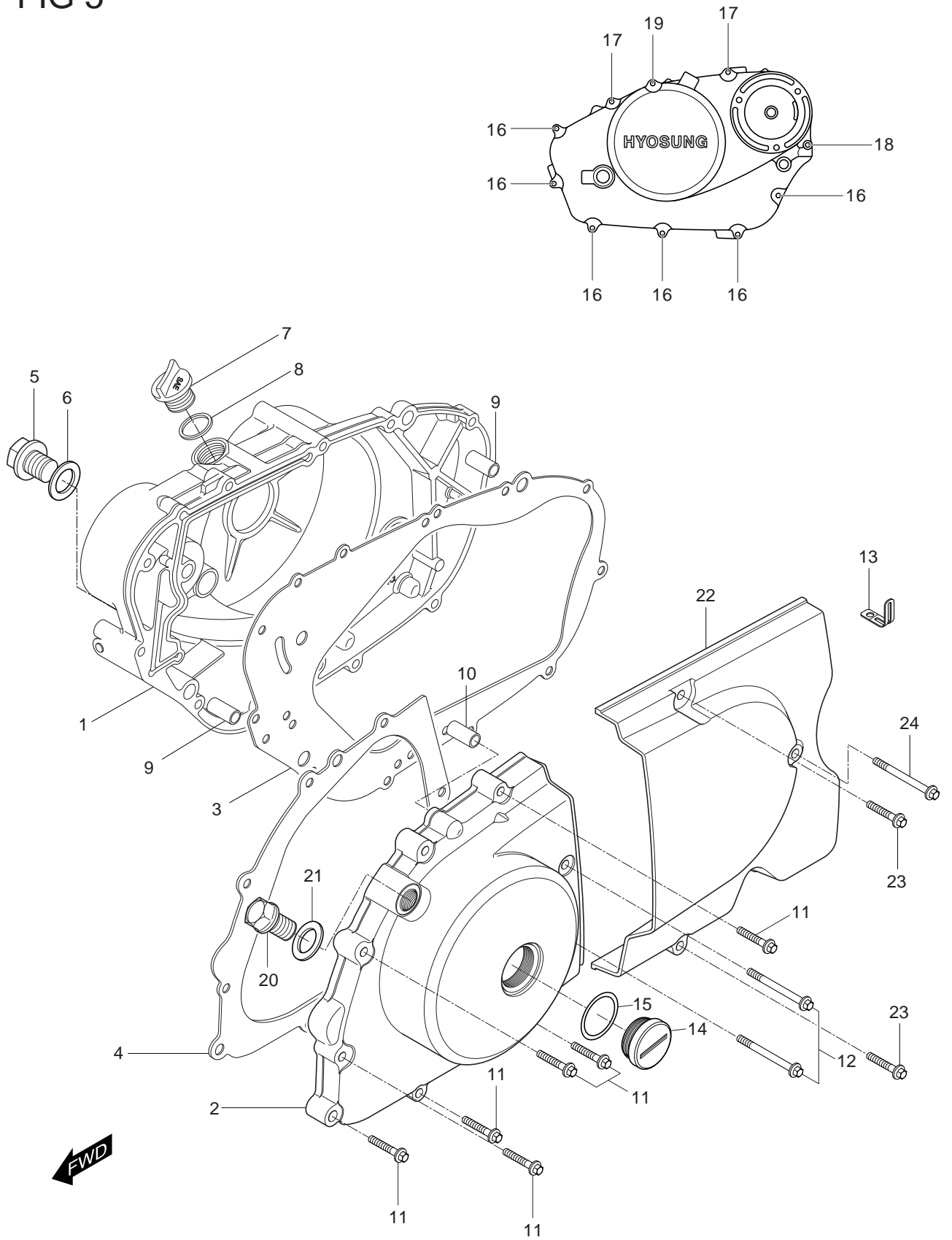
FIG 4



# FIG 4. CRANK CASE

REI PARTS NO.					PARTS NAME	Q`T	REMARKS
NO.	ST01	KEU01 / KG01	KEN01 / LAT01	LUS01			
0	11300HJ8200HPA	11300HJ8200HPA	11300HJ8200HPA	11300HJ8200HPA	CRANKCASE ASS'Y	1	
1	11321HJ8201PCC	11321HJ8201PCC	11321HJ8201PCC	11321HJ8201PCC	CRANKCASE COMP, L	1	1
2	11310HJ8201PCC	11310HJ8201PCC	11310HJ8201PCC	11310HJ8201PCC	CRANKCASE COMP, R	1	1
3	09364-12001	09364-12001	09364-12001	09364-12001	UNION, breather hose	1	
4	09103H10022	09103H10022	09103H10022	09103H10022	BOLT, frame & engine (L=110)	3	6
5	08319-31106	08319-31106	08319-31106	08319-31106	NUT, frame & engine(M10)	3	
6	04213-13189	04213-13189	04213-13189	04213-13189	PIN, crankcase knock	2	
7	11319-05200	11319-05200	11319-05200	11319-05200	PLATE, oil gallery plug	1	
8	01107-06106	01107-06106	01107-06106	01107-06106	BOLT, oil gallery plug plate(M6*10)	1	
9	01547-06558	01547-06558	01547-06558	01547-06558	BOLT, crankcase(M6*55)	6	
10	01547-06808	01547-06808	01547-06808	01547-06808	BOLT, crankcase(M6*80)	5	
11	02112-06908	02112-06908	02112-06908	02112-06908	SCREW, crankcase(M6*90)	1	
12	09401-14301	09401-14301	09401-14301	09401-14301	CLIP, breather drain cap	1	
13	13870H29B00	13870H29B00	13870H29B00	13870H29B00	CAP COMP, breather drain	1	

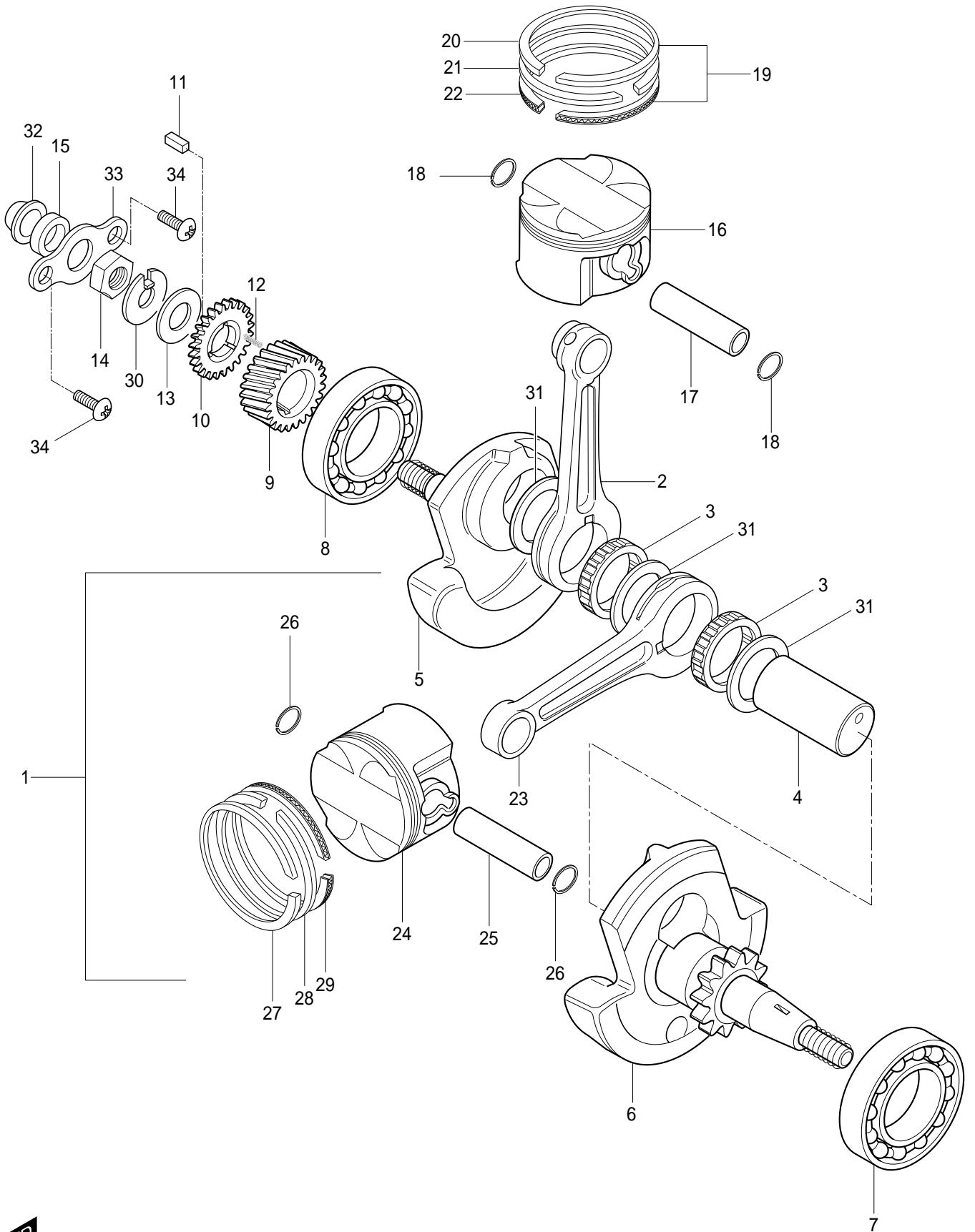
FIG 5



# FIG 5. CRANK CASE COVER

REI PARTS NO.					PARTS NAME	Q`TY	REMARKS
NO.	ST01	KEU01 / KG01	KEN01 / LAT01	LUS01			
1	11341SJ8200HPA	11341SJ8200HPA	11341SJ8200HPA	11341SJ8200HPA	COVER COMP, clutch	1	2
2	11351HJ82020BF	11351HJ82020BF	11351HJ82020BF	11351HJ82020BF	COVER, magneto	1	2
3	11482HG5102	11482HG5102	11482HG5102	11482HG5102	GASKET, clutch cover (NA)	1	10
4	11483HG5102	11483HG5102	11483HG5102	11483HG5102	GASKET, magneto cover	1	10
5	09247-14026	09247-14026	09247-14026	09247-14026	PLUG, oil check	1	
6	09168H14003	09168H14003	09168H14003	09168H14003	GASKET, oil check plug	1	
7	09259-2000903P	09259-2000903P	09259-2000903P	09259-2000903P	PLUG, eng oil filler(pearl metallic)	1	2
8	09280-17003	09280-17003	09280-17003	09280-17003	O-RING, eng oil filler plug (16.8*2.4)	1	5
9	04213-13189	04213-13189	04213-13189	04213-13189	PIN, clutch cover knock	2	
10	04213-09129	04213-09129	04213-09129	04213-09129	PIN, magneto cover knock	1	
11	01547-06308	01547-06308	01547-06308	01547-06308	BOLT, magneto cover(M6*30)	7	
12	01547-06708	01547-06708	01547-06708	01547-06708	BOLT, magneto cover(M6*70)	2	6
13	09403H09304	09403H09304	09403H09304	09403H09304	CLAMP, clutch cable	1	
14	09259-2601503P	09259-2601503P	09259-2601503P	09259-2601503P	PLUG, crankshaft hole(pearl metallic)	1	4
15	09280-22008	09280-22008	09280-22008	09280-22008	O-RING, cramkshaft hole plug (22.7*3.1)	1	5
16	01547-06258	01547-06258	01547-06258	01547-06258	BOLT, clutch cover(M6*25)	6	12
17	01547-06358	01547-06358	01547-06358	01547-06358	BOLT, clutch cover(M6*35)	2	6
18	01547-06608	01547-06608	01547-06608	01547-06608	BOLT, clutch cover(M6*60)	1	5
19	01547-06758	01547-06758	01547-06758	01547-06758	BOLT, clutch cover(M6*75)	1	5
20	09247H12102	09247H12102	09247H12102	09247H12102	PLUG, TDC	1	5
21	09168H12003	09168H12003	09168H12003	09168H12003	GASKET, TDC plug	1	5
22	11360HJ8200HPA	11360HJ8200HPA	11360HJ8200HPA	11360HJ8200HPA	COVER COMP, engine sprocket	1	5
23	01547-06308	01547-06308	01547-06308	01547-06308	BOLT, engine sprocket cover(M6*30)	2	6
24	01547-06708	01547-06708	01547-06708	01547-06708	BOLT, engine sprocket cover(M6*70)	1	5
25	08321-31068	08321-31068	08321-31068	08321-31068	WASHER,engine sprocket cover	3	

FIG 6

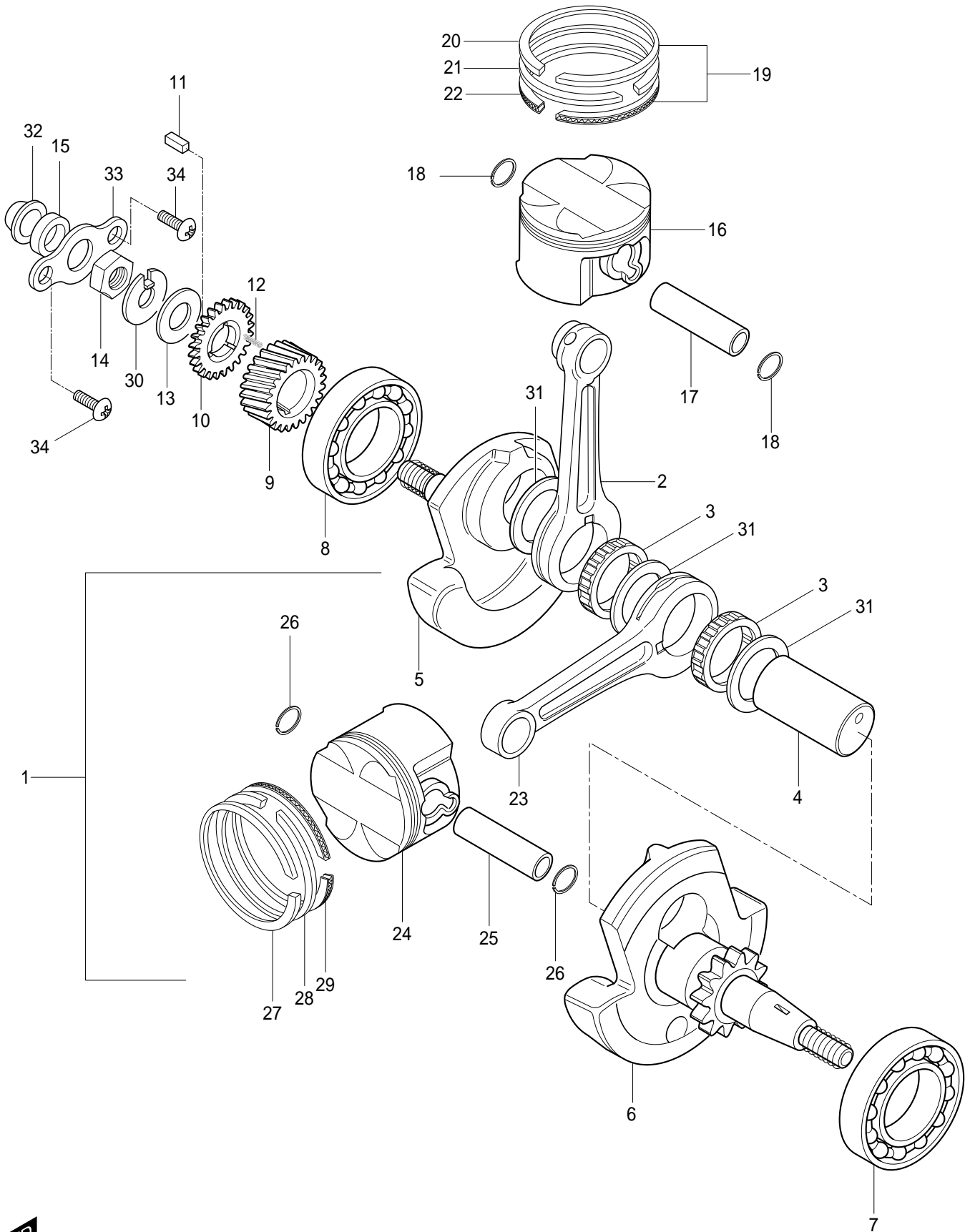


# FIG 6. CRANK SHAFT

REI PARTS NO.					PARTS NAME	Q`T	REMARKS
NO.	ST01	KEU01 / KG01	KEN01 / LAT01	LUS01			
1	12200HJ8200HPA	12200HJ8200HPA	12200HJ8200HPA	12200HJ8200HPA	CRANK SHAFT ASS'Y	1	2
2	12161HJ8200	12161HJ8200	12161HJ8200	12161HJ8200	ROD, connecting rear	1	7
3	09263H30002	09263H30002	09263H30002	09263H30002	BEARING, crank pin (30*38*15.8)	2	10
4	12211HJ8202888	12211HJ8202888	12211HJ8202888	12211HJ8202888	PIN, crank	1	5
5	12221HJ8203CSA	12221HJ8203CSA	12221HJ8203CSA	12221HJ8203CSA	CRANK SHAFT, R	1	
6	12261HJ8203CSA	12261HJ8203CSA	12261HJ8203CSA	12261HJ8203CSA	CRANK SHAFT, L	1	
7	09262H350A60AO	09262H350A60AO	09262H350A60AO	09262H350A60AO	BEARING, crank shaft, L (35*72*17)	1	5
8	09262H350A60AO	09262H350A60AO	09262H350A60AO	09262H350A60AO	BEARING, crank shaft, R (35*72*17)	1	5
9	21111HJ8201	21111HJ8201	21111HJ8201	21111HJ8201	GEAR, primary drive	1	
10	21112HJ8200	21112HJ8200	21112HJ8200	21112HJ8200	GEAR, primary drive NO.2	1	
11	09421H05001	09421H05001	09421H05001	09421H05001	KEY, primary drive gear	1	
12	21114-35C00	21114-35C00	21114-35C00	21114-35C00	SPRING, primary drive gear	3	
13	09166H16021	09166H16021	09166H16021	09166H16021	WASHER, primary drive gear thrust	1	
14	09140-16019	09140-16019	09140-16019	09140-16019	NUT, primary drive gear (M16)	1	
15	09282-12001	09282-12001	09282-12001	09282-12001	SEAL, crank shaft oil RH(21*7)	1	7
16	12111-16E00PPS	12111-16E00PPS	12111-16E00PPS	12111-16E00PPS	PISTON, rear	1	7
17	12151-30B00	12151-30B00	12151-30B00	12151-30B00	PIN, piston rear	1	7
18	09381-15001	09381-15001	09381-15001	09381-15001	CIRCLIP, piston pin rear	2	14
19	12140-16E00	12140-16E00	12140-16E00	12140-16E00	RING SET, piston rear	2	NOT SALE
20	12141-16E00	12141-16E00	12141-16E00	12141-16E00	RING, piston 1st rear	1	10
21	12142-16E00	12142-16E00	12142-16E00	12142-16E00	RING, piston 2nd rear	1	10
22	12144-16E00	12144-16E00	12144-16E00	12144-16E00	RING, piston oil rear	1	10
23	12161HJ8200	12161HJ8200	12161HJ8200	12161HJ8200	ROD, connecting front	1	5
24	12111-16E00PPS	12111-16E00PPS	12111-16E00PPS	12111-16E00PPS	PISTON, front	1	7
25	12151-30B00	12151-30B00	12151-30B00	12151-30B00	PIN, piston front	1	7
26	09381-15001	09381-15001	09381-15001	09381-15001	CIRCLIP, piston pin front	2	7
27	12141-16E00	12141-16E00	12141-16E00	12141-16E00	RING, piston 1st front	1	10



FIG 6

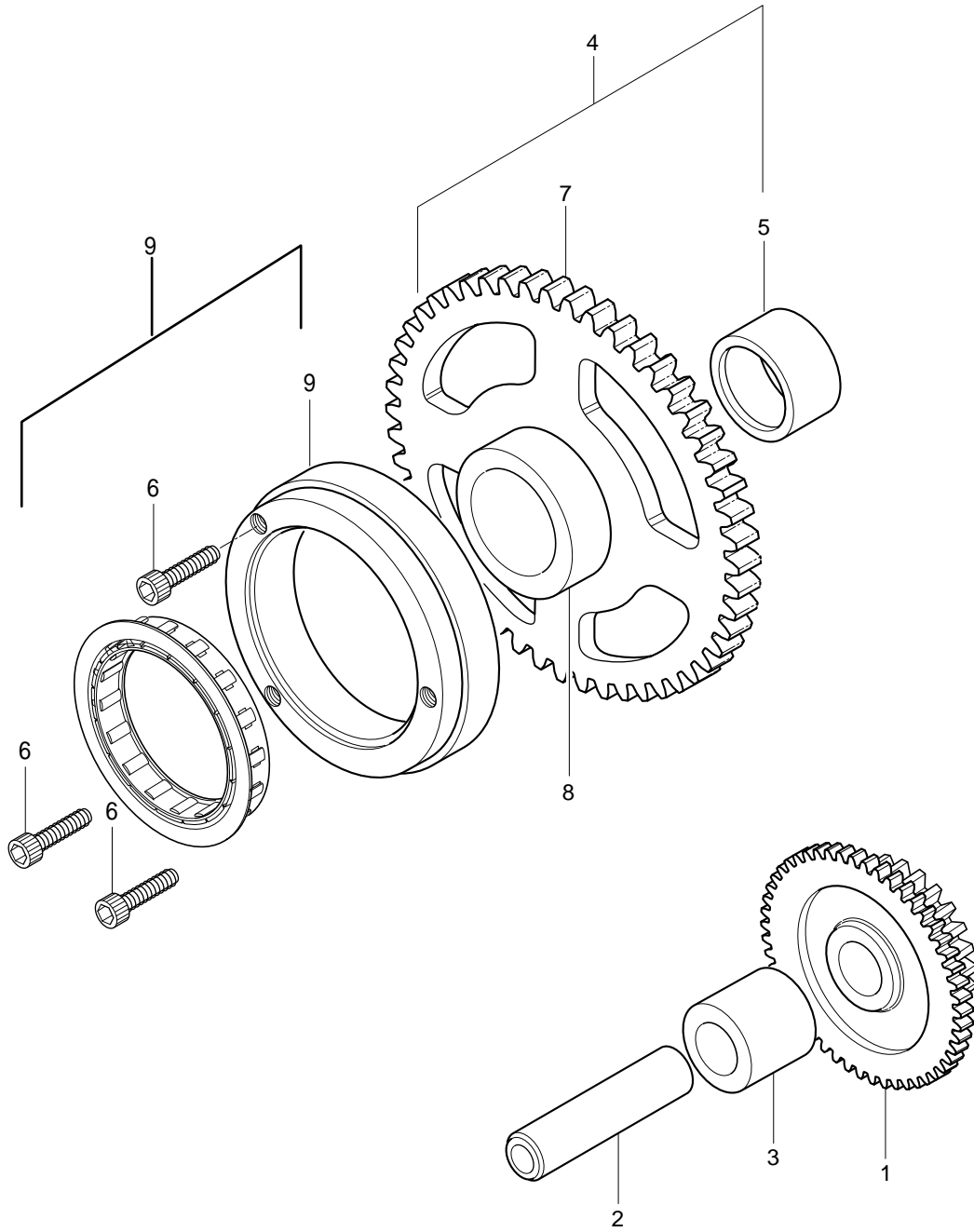


FWD

# FIG 6. CRANK SHAFT

REI PARTS NO.					PARTS NAME	Q`T REMARKS	
NO.	ST01	KEU01 / KG01	KEN01 / LAT01	LUS01			
28	12142-16E00	12142-16E00	12142-16E00	12142-16E00	RING, piston 2nd front	1	10
29	12144-16E00	12144-16E00	12144-16E00	12144-16E00	RING, piston oil front	1	10
30	09166H16032	09166H16032	09166H16032	09166H16032	WASHER, primary drive gear lock	1	
31	09160H30001	09160H30001	09160H30001	09160H30001	WASHER	3	
32	11342HG5100	11342HG5100	11342HG5100	11342HG5100	JET	1	
33	11343HG5100	11343HG5100	11343HG5100	11343HG5100	RETAINER	1	
34	02112-06108	02112-06108	02112-06108	02112-06108	SCREW(M6*10)	2	

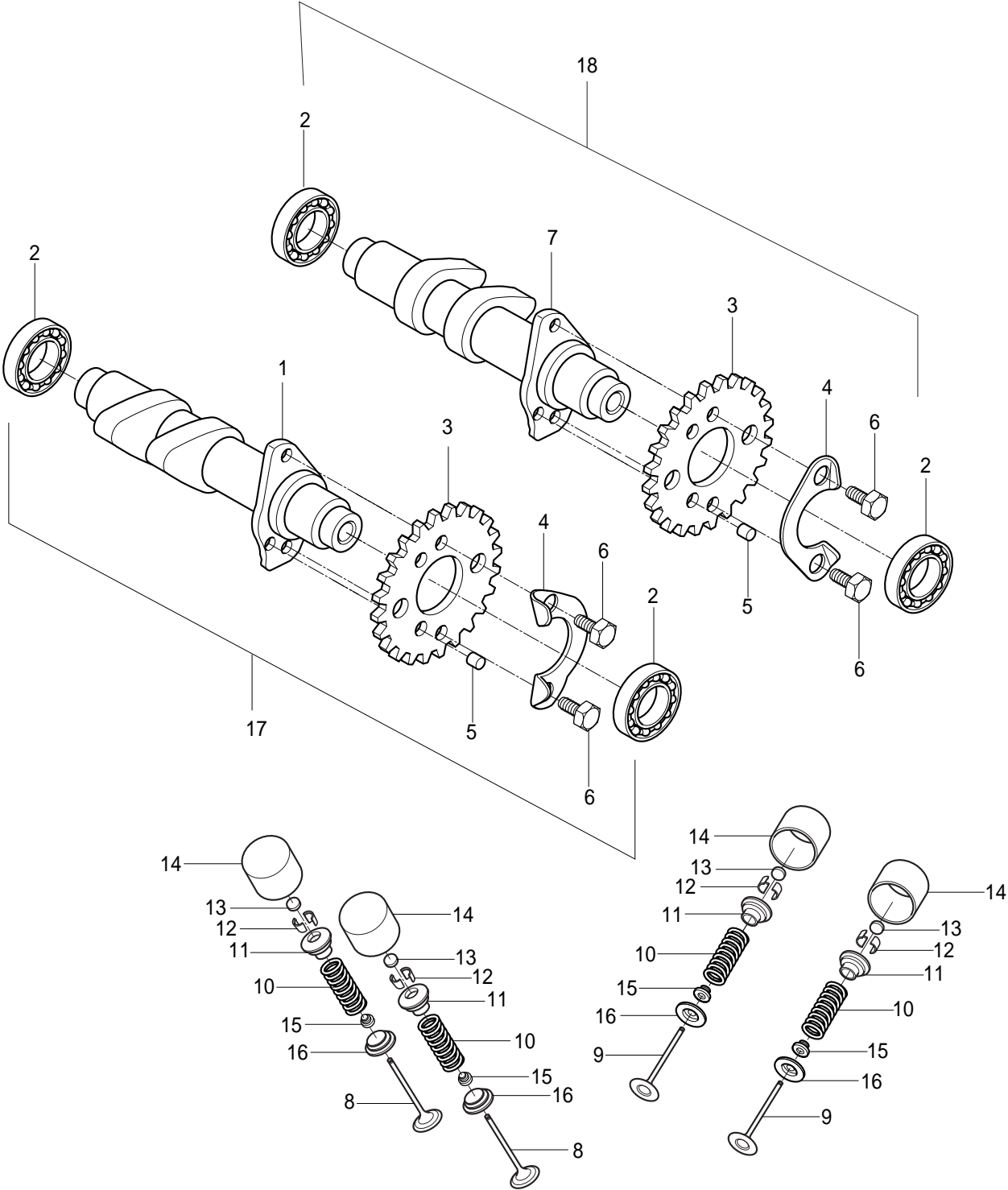
FIG.7



# FIG 7. STARTER CLUTCH

REI PARTS NO.					PARTS NAME	Q`T	REMARKS
NO.	ST01	KEU01 / KG01	KEN01 / LAT01	LUS01			
1	12611HJ8200	12611HJ8200	12611HJ8200	12611HJ8200	GEAR, starter idle	1	
2	12612HG5100	12612HG5100	12612HG5100	12612HG5100	SHAFT, starter idle gear	1	
3	09180-13006	09180-13006	09180-13006	09180-13006	SPACE, starter idle gear	1	
4	12620HJ8204	12620HJ8204	12620HJ8204	12620HJ8204	GEAR COMP, starter clutch	1	5
5	09304H25001	09304H25001	09304H25001	09304H25001	.BUSH,starter clutch gear	1	NOT SALE
6	07110-08168	07110-08168	07110-08168	07110-08168	BOLT, starter clutch(M8*16)	3	
7	12622HJ8201	12622HJ8201	12622HJ8201	12622HJ8201	.GEAR,starter clutch	1	NOT SALE
8	12621HJ8200	12621HJ8200	12621HJ8200	12621HJ8200	.RACE,starter clutch gear inner	1	NOT SALE
9	12614HJ8200	12614HJ8200	12614HJ8200	12614HJ8200	CLUTCH,starter one way	1	

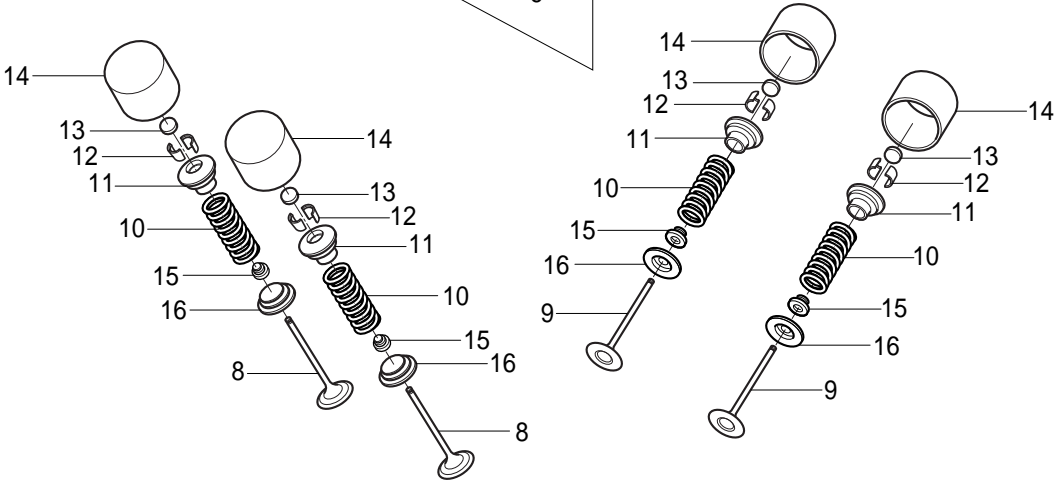
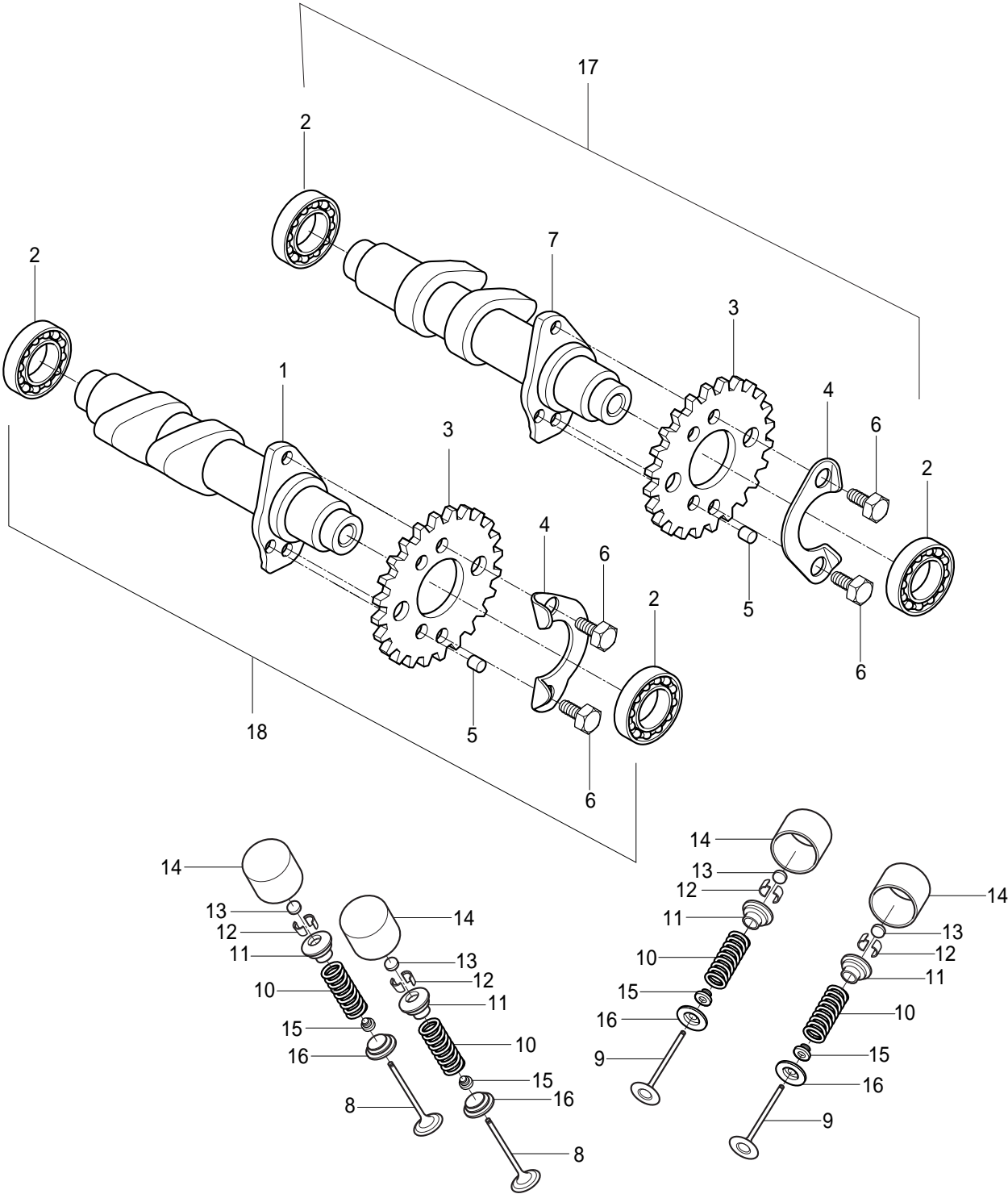
FIG 8



# FIG 8-1. CAMSHAFT REAR

REI PARTS NO.					PARTS NAME	Q`T	REMARKS
NO.	ST01	KEU01 / KG01	KEN01 / LAT01	LUS01			
1	12711HJ8200888	12711HJ8200888	12711HJ8200888	12711HJ8200888	CAMSHAFT, intake rear	1	
2	09262-17019	09262-17019	09262-17019	09262-17019	BEARING, camshaft rear (22.4*29.6*8)	4	20
3	12742HJ8200	12742HJ8200	12742HJ8200	12742HJ8200	SPROCKET, camshaft rear	2	
4	12747-44B00	12747-44B00	12747-44B00	12747-44B00	WASHER, sprocket rear	2	
5	09261-05005	09261-05005	09261-05005	09261-05005	PIN, sprocket rear	2	
6	09111-06032	09111-06032	09111-06032	09111-06032	BOLT, sprocket rear (M6*10)	4	
7	12721HJ8200888	12721HJ8200888	12721HJ8200888	12721HJ8200888	CAMSHAFT, exhaust rear	1	
8	12911HJ8200	12911HJ8200	12911HJ8200	12911HJ8200	VALVE, intake rear	2	
9	12912HJ8200	12912HJ8200	12912HJ8200	12912HJ8200	VALVE, exhaust rear	2	
10	12921HJ8200	12921HJ8200	12921HJ8200	12921HJ8200	SPRING, valve rear	4	
11	12931HJ8200	12931HJ8200	12931HJ8200	12931HJ8200	RETAINER, valve spring rear	4	
12	12932HJ8200	12932HJ8200	12932HJ8200	12932HJ8200	COTTER, valve rear	8	
13	12892-05C00170	12892-05C00170	12892-05C00170	12892-05C00170	SHIM, tappet(#120 ~220) rear	4	
14	12881HJ8200	12881HJ8200	12881HJ8200	12881HJ8200	TAPPET, rear	4	
15	09289H04002	09289H04002	09289H04002	09289H04002	SEAL, valve stem oil rear (4*7.2*8)	4	
16	12933HJ8200	12933HJ8200	12933HJ8200	12933HJ8200	SEAT, valve spring rear	4	
17	12720HJ8200HPA	12720HJ8200HPA	12720HJ8200HPA	12720HJ8200HPA	CAMSHAFT ASS'Y, rear intake	1	5
18	12750HJ8200HPA	12750HJ8200HPA	12750HJ8200HPA	12750HJ8200HPA	CAMSHAFT ASS'Y, rear exhaust	1	5

FIG 8

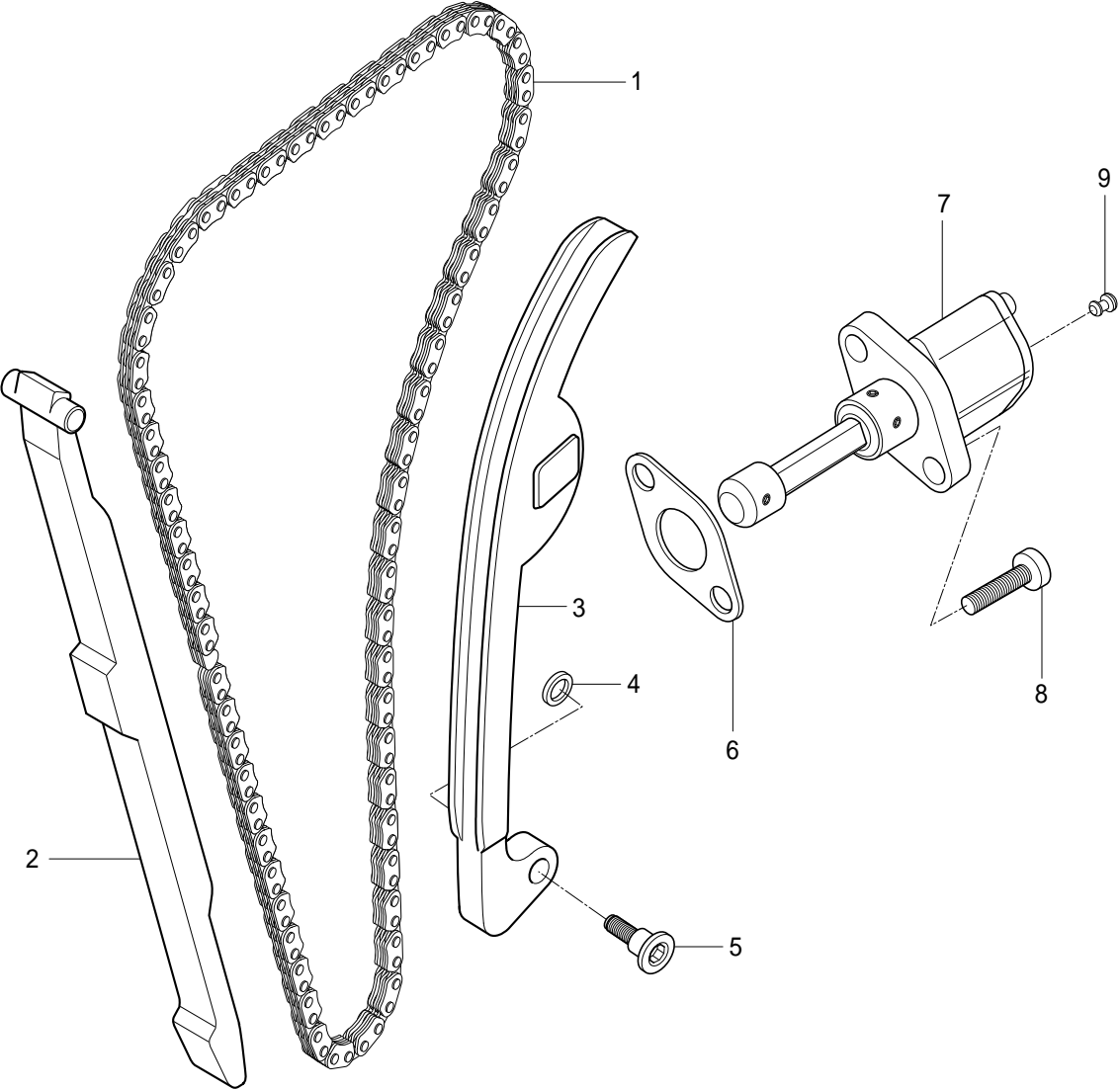


# FIG 8-2. CAMSHAFT FRONT

REI PARTS NO.					PARTS NAME	Q`T	REMARKS
NO.	ST01	KEU01 / KG01	KEN01 / LAT01	LUS01			
1	12711HJ8200888	12711HJ8200888	12711HJ8200888	12711HJ8200888	CAMSHAFT, intake front	1	
2	09262-17019	09262-17019	09262-17019	09262-17019	BEARING, camshaft front (22.4*29.6*8)	4	20
3	12742HJ8200	12742HJ8200	12742HJ8200	12742HJ8200	SPROCKET, camshaft front	2	
4	12747-44B00	12747-44B00	12747-44B00	12747-44B00	WASHER, sprocket front	2	
5	09261-05005	09261-05005	09261-05005	09261-05005	PIN, sprocket front	2	
6	09111-06032	09111-06032	09111-06032	09111-06032	BOLT, sprocket front (M6*10)	4	
7	12721HJ8200888	12721HJ8200888	12721HJ8200888	12721HJ8200888	CAMSHAFT, exhaust front	1	
8	12911HJ8200	12911HJ8200	12911HJ8200	12911HJ8200	VALVE, intake front	2	
9	12912HJ8200	12912HJ8200	12912HJ8200	12912HJ8200	VALVE, exhaust front	2	
10	12921HJ8200	12921HJ8200	12921HJ8200	12921HJ8200	SPRING, valve front	4	
11	12931HJ8200	12931HJ8200	12931HJ8200	12931HJ8200	RETAINER, valve spring front	4	
12	12932HJ8200	12932HJ8200	12932HJ8200	12932HJ8200	COTTER, valve front	8	
13	12892-05C00170	12892-05C00170	12892-05C00170	12892-05C00170	SHIM, tappet(#120 ~220) front	4	
14	12881HJ8200	12881HJ8200	12881HJ8200	12881HJ8200	TAPPET,front	4	
15	09289H04002	09289H04002	09289H04002	09289H04002	SEAL, valve stem oil front (4*7.2*8)	4	
16	12933HJ8200	12933HJ8200	12933HJ8200	12933HJ8200	SEAT, valve spring front	4	
17	12710HJ8200HPA	12710HJ8200HPA	12710HJ8200HPA	12710HJ8200HPA	CAMSHAFT ASS'Y,front intake	1	5
18	12730HJ8200HPA	12730HJ8200HPA	12730HJ8200HPA	12730HJ8200HPA	CAMSHAFT ASS'Y,front exhaust	1	5



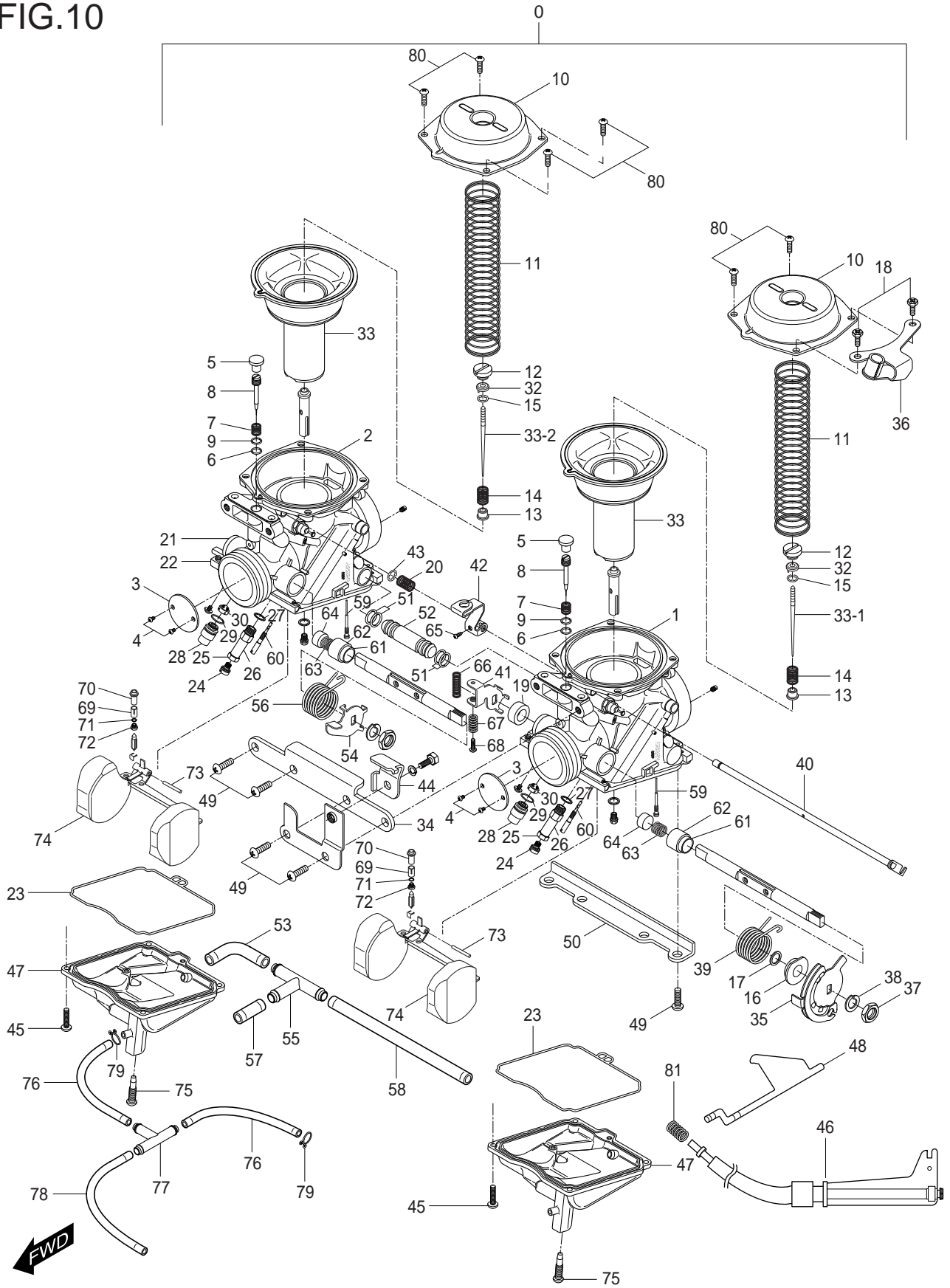
FIG 9



# FIG 9. CAM CHAIN

REI PARTS NO.					PARTS NAME	Q`T	REMARKS
NO.	ST01	KEU01 / KG01	KEN01 / LAT01	LUS01			
1	12760-16E00	12760-16E00	12760-16E00	12760-16E00	CHAIN COMP, camshaft drive	2	6
2	12771-16E00	12771-16E00	12771-16E00	12771-16E00	GUIDE, camchain NO.1	2	10
3	12811HJ8200	12811HJ8200	12811HJ8200	12811HJ8200	TENSIONER, camchain	2	10
4	08211-06181	08211-06181	08211-06181	08211-06181	WASHER, camchain tensioner bolt	2	10
5	12812H35C00	12812H35C00	12812H35C00	12812H35C00	BOLT, camchain tensioner (M6*23)	2	10
6	12837H31321	12837H31321	12837H31321	12837H31321	GASKET, tensioner adjuster	2	10
7	12830H31320	12830H31320	12830H31320	12830H31320	ADJUSTER ASS'Y, tensioner	2	4
8	07110-06208	07110-06208	07110-06208	07110-06208	BOLT, tensioner adjuster(M6*20)	4	
9	12839-38200	12839-38200	12839-38200	12839-38200	PLUG, adjuster	2	

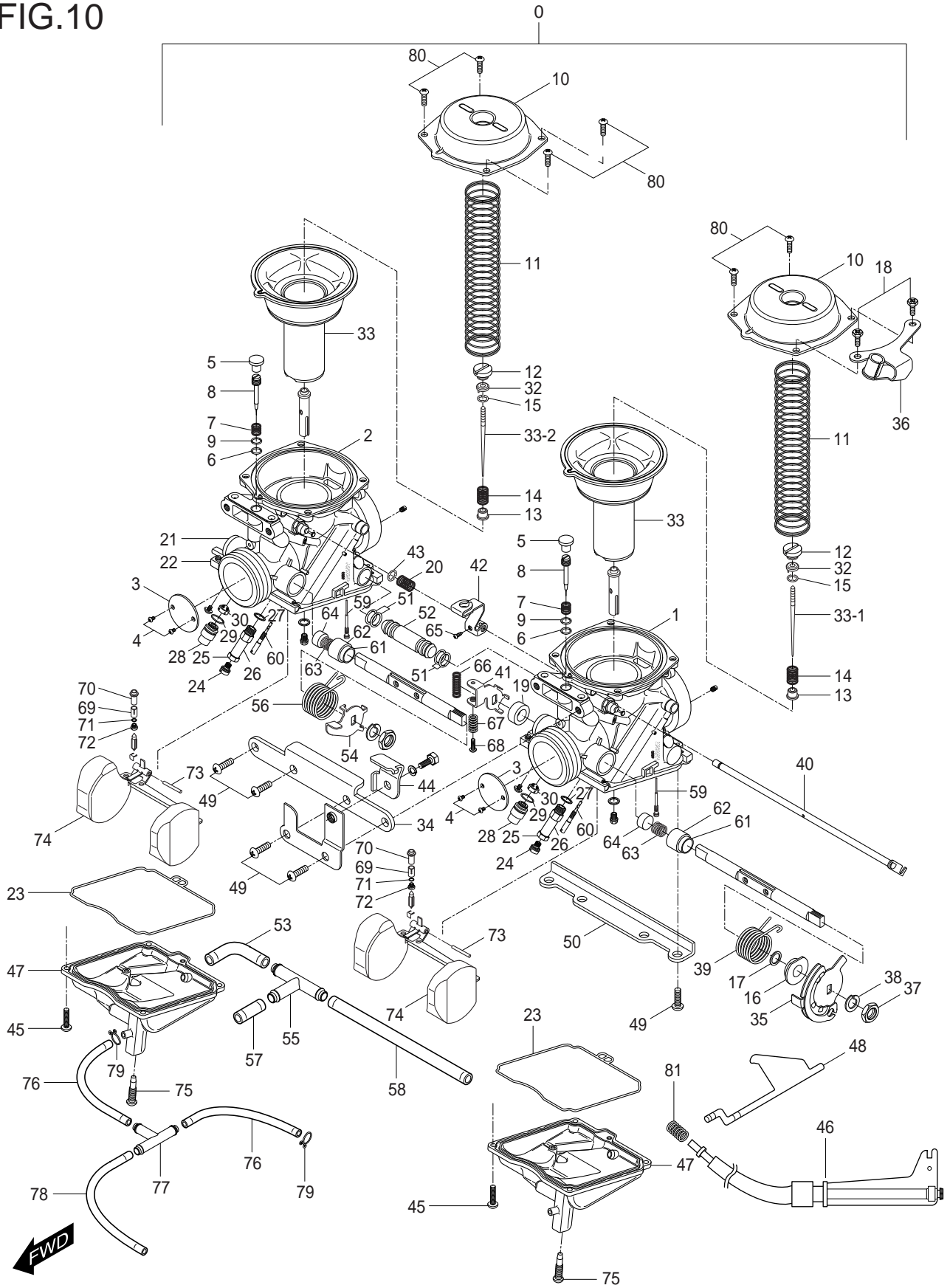
FIG.10



# FIG 10. CARBURETOR ASS'Y

REI PARTS NO.					PARTS NAME	Q`T	REMARKS
NO.	ST01	KEU01 / KG01	KEN01 / LAT01	LUS01			
0	13200HJ8200	13200HJ8200	13200HJ8200	13200HJ8200	CARBURETOR ASS'Y	1	3
1	13301HG5100	13301HG5100	13301HG5100	13301HG5100	.MIXING BODY ASS'Y	1	
2	13302HG5100	13302HG5100	13302HG5100	13302HG5100	.MIXING BODY ASS'Y	1	
3	13303HG5100	13303HG5100	13303HG5100	13303HG5100	.THROTTLE VALVE	2	
4	13304HG5100	13304HG5100	13304HG5100	13304HG5100	.SCREW	4	
5	13305HG5100	13305HG5100	13305HG5100	13305HG5100	.PLUG	2	
6	13306HG5100	13306HG5100	13306HG5100	13306HG5100	.O-RING	2	
7	13307HG5100	13307HG5100	13307HG5100	13307HG5100	.SPRING(CO)	2	
8	13308HG5100	13308HG5100	13308HG5100	13308HG5100	.ADJUSTER	2	
9	13309HG5100	13309HG5100	13309HG5100	13309HG5100	.WASHER	2	
10	13310HG5100	13310HG5100	13310HG5100	13310HG5100	.DIAPHRAGM COVER	2	
11	13311HG5100	13311HG5100	13311HG5100	13311HG5100	.SPRING(CO)	2	
12	13312HG5100	13312HG5100	13312HG5100	13312HG5100	.SCREW	2	
13	13313HG5100	13313HG5100	13313HG5100	13313HG5100	.RING	2	
14	13314HG5100	13314HG5100	13314HG5100	13314HG5100	.SPRING(CO)	2	
15	13315HG5100	13315HG5100	13315HG5100	13315HG5100	.E-RING	2	
16	13316HG5100	13316HG5100	13316HG5100	13316HG5100	.RING	1	
17	13317HG5100	13317HG5100	13317HG5100	13317HG5100	.SEAL	1	
18	13318HG5100	13318HG5100	13318HG5100	13318HG5100	.BOLT	2	
19	13319HG5100	13319HG5100	13319HG5100	13319HG5100	.RING	1	
20	13320HG5100	13320HG5100	13320HG5100	13320HG5100	.SPRING(CO)	1	
21	13321HG5100	13321HG5100	13321HG5100	13321HG5100	.PACKING	1	
22	13322HG5100	13322HG5100	13322HG5100	13322HG5100	.SHAFT ASS'Y	1	
23	13323HG5100	13323HG5100	13323HG5100	13323HG5100	.O-RING	2	
24-1	13324HJ8200	13324HJ8200	13324HJ8200	13324HJ8200	.MAIN JET #90(FRONT)	1	
24-2	13325HJ8200	13325HJ8200	13325HJ8200	13325HJ8200	.MAIN JET #87.5(REAR)	1	
25	13326HG5100	13326HG5100	13326HG5100	13326HG5100	.PACKING	2	

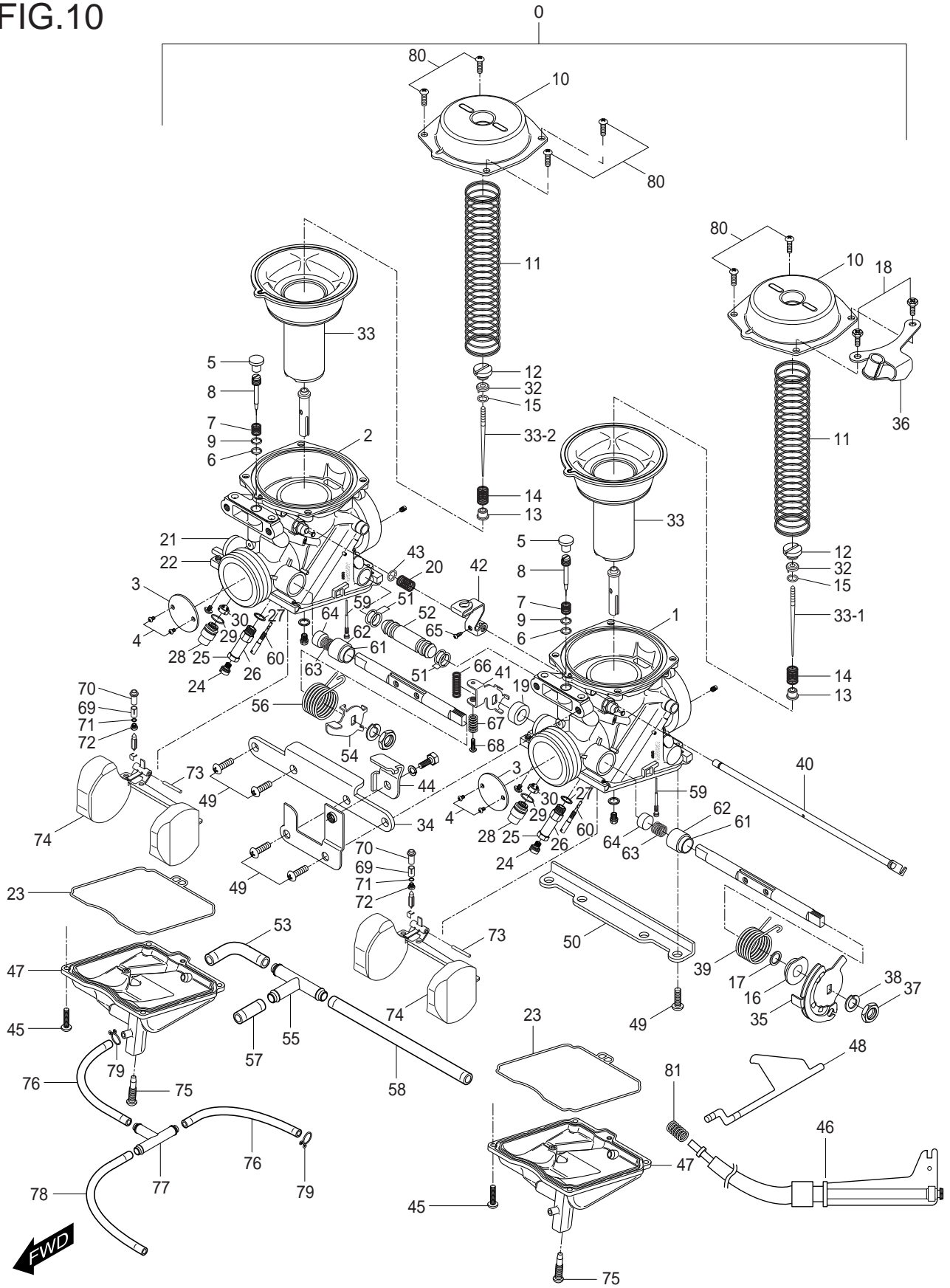
FIG.10



# FIG 10. CARBURETOR ASS'Y

REI PARTS NO.					PARTS NAME	Q`T REMARKS
NO.	ST01	KEU01 / KG01	KEN01 / LAT01	LUS01		
26	13327HG5100	13327HG5100	13327HG5100	13327HG5100	.SCREW	2
27	13328HG5100	13328HG5100	13328HG5100	13328HG5100	.WASHER	2
28	13329HG5100	13329HG5100	13329HG5100	13329HG5100	.SCREW	2
29	13330HG5100	13330HG5100	13330HG5100	13330HG5100	.WASHER	2
30-1	13331HJ8200	13331HJ8200	13331HJ8200	13331HJ8200	.NEEDLE(AB)(NJ)	1
30-2	13332HJ8200	13332HJ8200	13332HJ8200	13332HJ8200	.NEEDLE(AB)(NJ)	1
31-1	13333HJ8200	13333HJ8200	13333HJ8200	13333HJ8200	.JET NEEDLE(JN)	1
31-2	13334HJ8200	13334HJ8200	13334HJ8200	13334HJ8200	.JET NEEDLE(JN)	1
32	13337HG5100	13337HG5100	13337HG5100	13337HG5100	.RING	2
33	13338HG5100	13338HG5100	13338HG5100	13338HG5100	.DIAPHRAGM ASS'Y	2
34	13339HG5100	13339HG5100	13339HG5100	13339HG5100	.PLATE	1
35	13340HG5100	13340HG5100	13340HG5100	13340HG5100	.LEVER ASS'Y	1
36	13341HG5100	13341HG5100	13341HG5100	13341HG5100	.BRACKET ASS'Y	1
37	13342HG5100	13342HG5100	13342HG5100	13342HG5100	.NUT	1
38	13343HG5100	13343HG5100	13343HG5100	13343HG5100	.WASHER	1
39	13344HG5100	13344HG5100	13344HG5100	13344HG5100	.SPRING(CO)	1
40	13345HG5100	13345HG5100	13345HG5100	13345HG5100	.SHAFT ASS'Y	1
41	13346HG5100	13346HG5100	13346HG5100	13346HG5100	.THROTTLE SHAFT ASS'Y	1 NOT SALE
42	13347HG5100	13347HG5100	13347HG5100	13347HG5100	.STARTER LEVER	1
43	13348HG5100	13348HG5100	13348HG5100	13348HG5100	.E-RING	1
44	13349HG5100	13349HG5100	13349HG5100	13349HG5100	.BRACKET ASS'Y	1
45	13350HG5100	13350HG5100	13350HG5100	13350HG5100	.SCREW	2
46	13351HG5100	13351HG5100	13351HG5100	13351HG5100	.ADJUST SCREW ASS'Y	1
47	13352HG5100	13352HG5100	13352HG5100	13352HG5100	.FLOAT BODY ASS'Y	2
48	13353HG5100	13353HG5100	13353HG5100	13353HG5100	.BRACKET	1
49	13354HG5100	13354HG5100	13354HG5100	13354HG5100	.SCREW	8
50	13355HG5100	13355HG5100	13355HG5100	13355HG5100	.PLATE	1

FIG.10

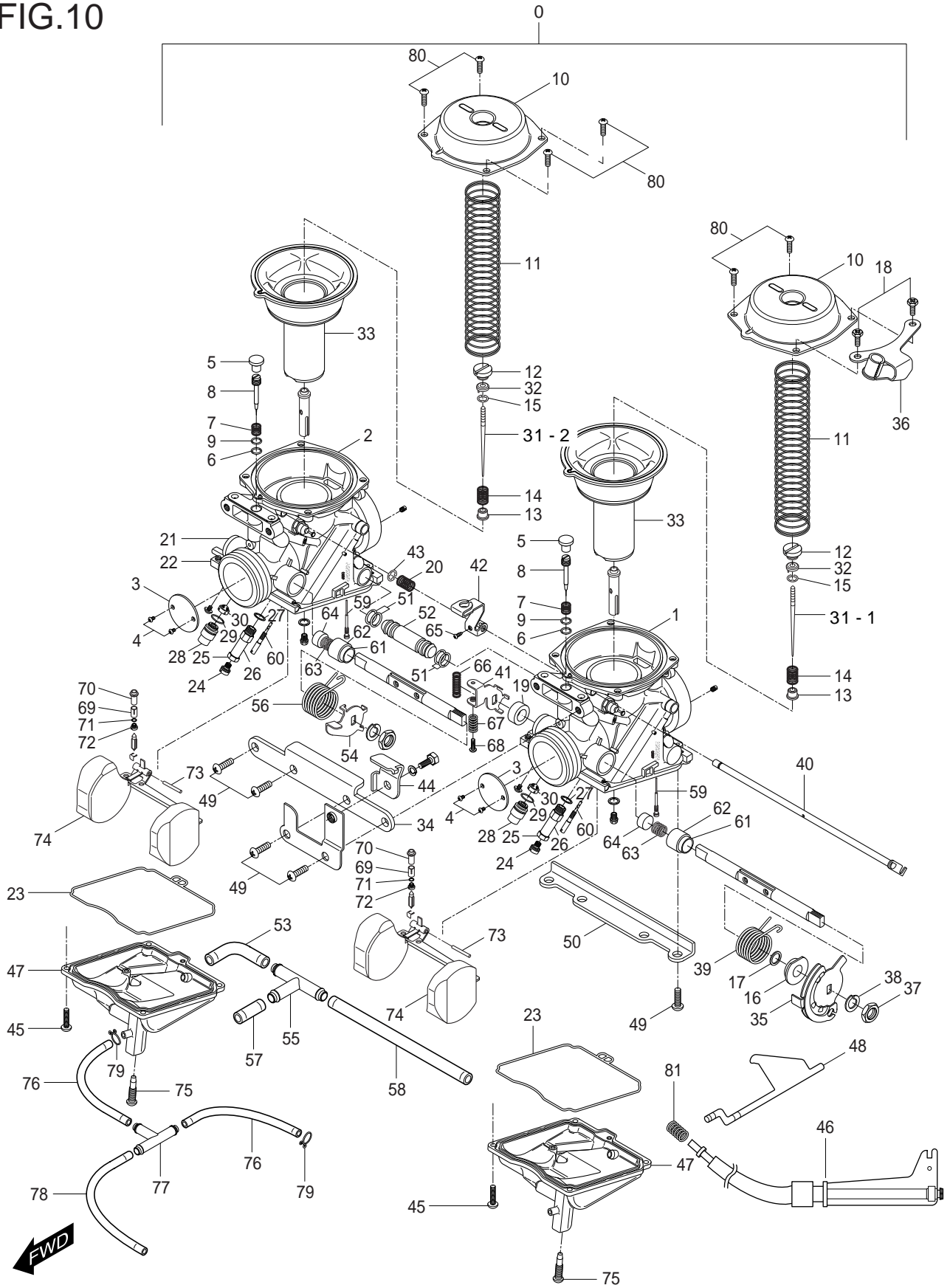


# FIG 10. CARBURETOR ASS'Y

REI PARTS NO.					PARTS NAME	Q`T REMARKS
NO.	ST01	KEU01 / KG01	KEN01 / LAT01	LUS01		
51	13356HG5100	13356HG5100	13356HG5100	13356HG5100	.O-RING	4
52	13357HG5100	13357HG5100	13357HG5100	13357HG5100	.NIPPLE	1
53	13358HG5100	13358HG5100	13358HG5100	13358HG5100	.HOSE	1
54	13359HG5100	13359HG5100	13359HG5100	13359HG5100	.THROTTLE SHAFT	1
55	13360HG5100	13360HG5100	13360HG5100	13360HG5100	.NIPPLE	1
56	13361HG5100	13361HG5100	13361HG5100	13361HG5100	.SPRING(CO)	1
57	13362HG5100	13362HG5100	13362HG5100	13362HG5100	.HOSE	1
58	13363HG5100	13363HG5100	13363HG5100	13363HG5100	.HOSE	1
59	13364HG5100	13364HG5100	13364HG5100	13364HG5100	.JET(PAJ)	1
60	13365HJ8200	13365HJ8200	13365HJ8200	13365HJ8200	.JET(PJ)#20	2
61	13366HG5100	13366HG5100	13366HG5100	13366HG5100	.CAP	2
62	13367HG5100	13367HG5100	13367HG5100	13367HG5100	.GUIDE HOLDER	2
63	13368HG5100	13368HG5100	13368HG5100	13368HG5100	.SPRING(CO)	2
64	13369HG5100	13369HG5100	13369HG5100	13369HG5100	.PLUNGER ASS'Y	2
65	13370HG5100	13370HG5100	13370HG5100	13370HG5100	.SCREW	1
66	13371HG5100	13371HG5100	13371HG5100	13371HG5100	.SPRING(CO)	1
67	13372HG5100	13372HG5100	13372HG5100	13372HG5100	.SPRING(CO)	1
68	13373HG5100	13373HG5100	13373HG5100	13373HG5100	.SCREW	1
69	13374HG5100	13374HG5100	13374HG5100	13374HG5100	.FILTER	2
70	13375HG5100	13375HG5100	13375HG5100	13375HG5100	.NEEDLE VALVE ASS'Y(VS)	2
71	13376HG5100	13376HG5100	13376HG5100	13376HG5100	.O-RING	2
72	13377HG5100	13377HG5100	13377HG5100	13377HG5100	.SCREW	2
73	13378HG5100	13378HG5100	13378HG5100	13378HG5100	.PIN	2
74	13379HG5100	13379HG5100	13379HG5100	13379HG5100	.FLOAT ASS'Y	2
75	13380HG5100	13380HG5100	13380HG5100	13380HG5100	.SCREW	2
76	13381HG5100	13381HG5100	13381HG5100	13381HG5100	.HOSE	2
77	13382HG5100	13382HG5100	13382HG5100	13382HG5100	.NIPPLE	1



FIG.10



# FIG 10. CARBURETOR ASS'Y

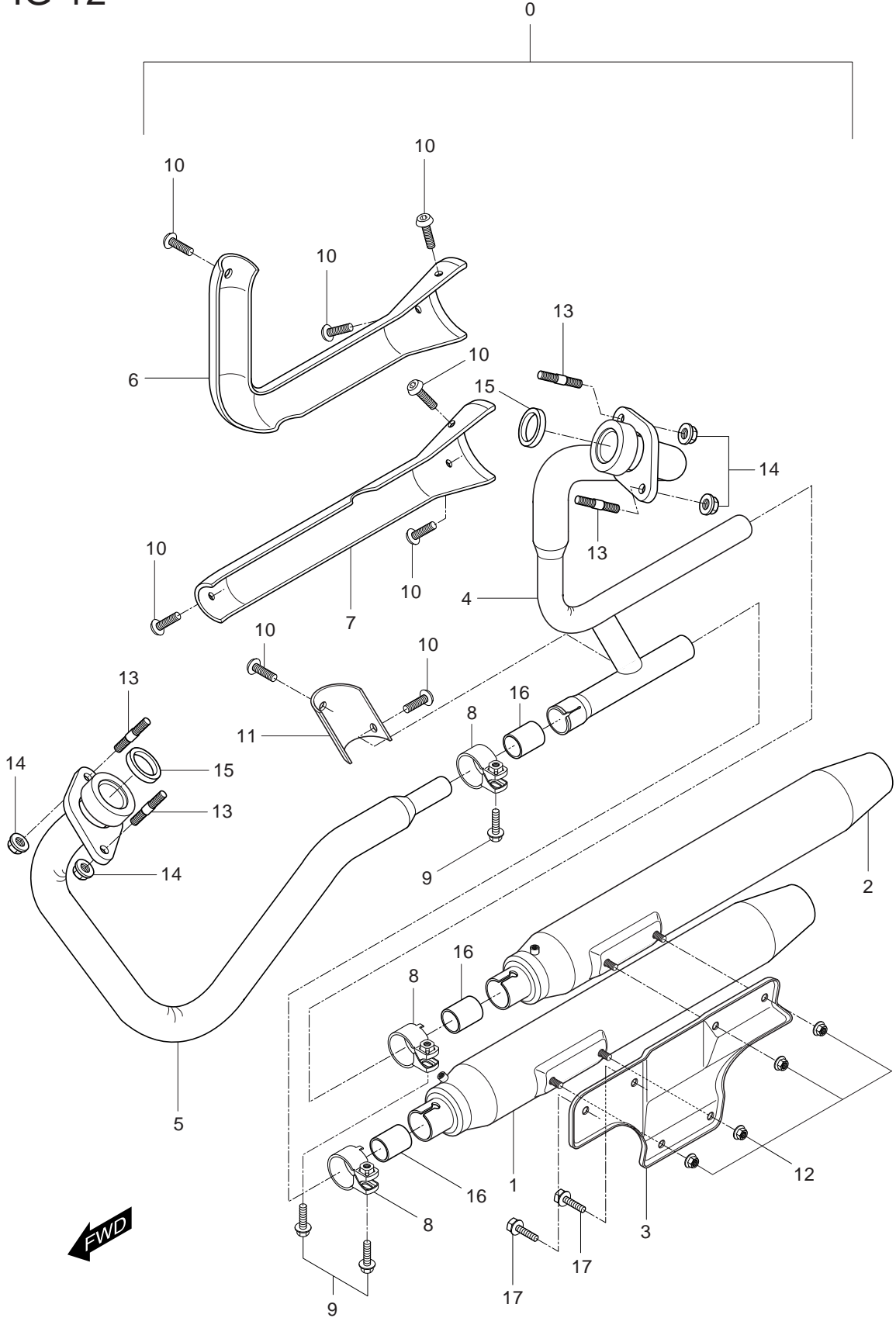
REI PARTS NO.					PARTS NAME	Q`T REMARKS
NO.	ST01	KEU01 / KG01	KEN01 / LAT01	LUS01		
78	13383HG5100	13383HG5100	13383HG5100	13383HG5100	.HOSE	1
79	13384HG5100	13384HG5100	13384HG5100	13384HG5100	.CLIP	2
80	13385HG5100	13385HG5100	13385HG5100	13385HG5100	.SCREW	6
81	13386HG5100	13386HG5100	13386HG5100	13386HG5100	.SPRING(CO)	1



# FIG 11. AIR CLEANER & CHAMBER

REI PARTS NO.					PARTS NAME	Q`T	REMARKS
NO.	ST01	KEU01 / KG01	KEN01 / LAT01	LUS01			
1	13700HG5107	13700HG5107	13700HG5107	13700HG5107	CLEANER ASS'Y, air	1	3
2	13720HG5101	13720HG5101	13720HG5101	13720HG5101	CASE COMP, air cleaner	1	
3	13740HG5102	13740HG5102	13740HG5102	13740HG5102	CAP COMP, air cleaner	1	
4	13780HG5104	13780HG5104	13780HG5104	13780HG5104	FILTER COMP, air cleaner	1	10
5	13750HG5100	13750HG5100	13750HG5100	13750HG5100	TRAP COMP, frame	1	
6	13831HG5101	13831HG5101	13831HG5101	13831HG5101	TUBE, connecting	1	
7	09402H44207	09402H44207	09402H44207	09402H44207	CLAMP, connecting tube	2	
8	13881HJ8200	13881HJ8200	13881HJ8200	13881HJ8200	TUBE,outlet	2	
9	13800HJ8201	13800HJ8290	13800HJ8201	13800HJ8201	CHAMBER ASS'Y, air cleaner	1	
9-1			13800HJ8290		CHAMBER ASS'Y, air cleaner	1	KEN01
10	02142-04255	02142-04255	02142-04255	02142-04255	SCREW, air cleaner cap(M5*30)	3	
11	09401-14301	09401-14301	09401-14301	09401-14301	CLIP,oil drain plug	1	
12	13895HF4500	13895HF4500	13895HF4500	13895HF4500	PLUG, oil drain	1	
13	09402-56208	09402-56208	09402-56208	09402-56208	CLAMP, outlet tube	2	
14	09136-06017	09136-06017	09136-06017	09136-06017	SCREW, air cleaner (M6*16)	2	
15	09136-06017	09136-06017	09136-06017	09136-06017	SCREW, air chamber (M6*16)	1	
16	13783HG5100	13783HG5100	13783HG5100	13783HG5100	GASKET,filter	1	
17		18500HN9100	18500HN9100(ken01)	18500HN9100	VALVE ASS'Y,2nd air	1	
18		18651HJ8290	18651HJ8290(ken01)	18651HJ8290	HOSE,2nd air pipe front	1	
19		09401H14401	09401H14401(ken01)	09401H14401	CLAMP,2nd air cleaner hose	2	
20				09352-50823240	HOSE,2nd vacuum front	1	
20~1		09352-50823240	09352-50823240(ken01)		HOSE,2nd vacuum front	1	
21		09401H09401	09401H09401(ken01)	09401H08401	CLAMP,2nd vacuum hose	2	
21~1		09401H08401	09401H08401(ken01)		CLAMP,2nd vacuum hose	2	
22		18631HJ8290	18631HJ8290(ken01)	18631HJ8290	HOSE,2nd air pipe front	1	
23		09401H13401	09401H13401(ken01)	09401H13401	CLAMP,2nd air pipe hose	2	

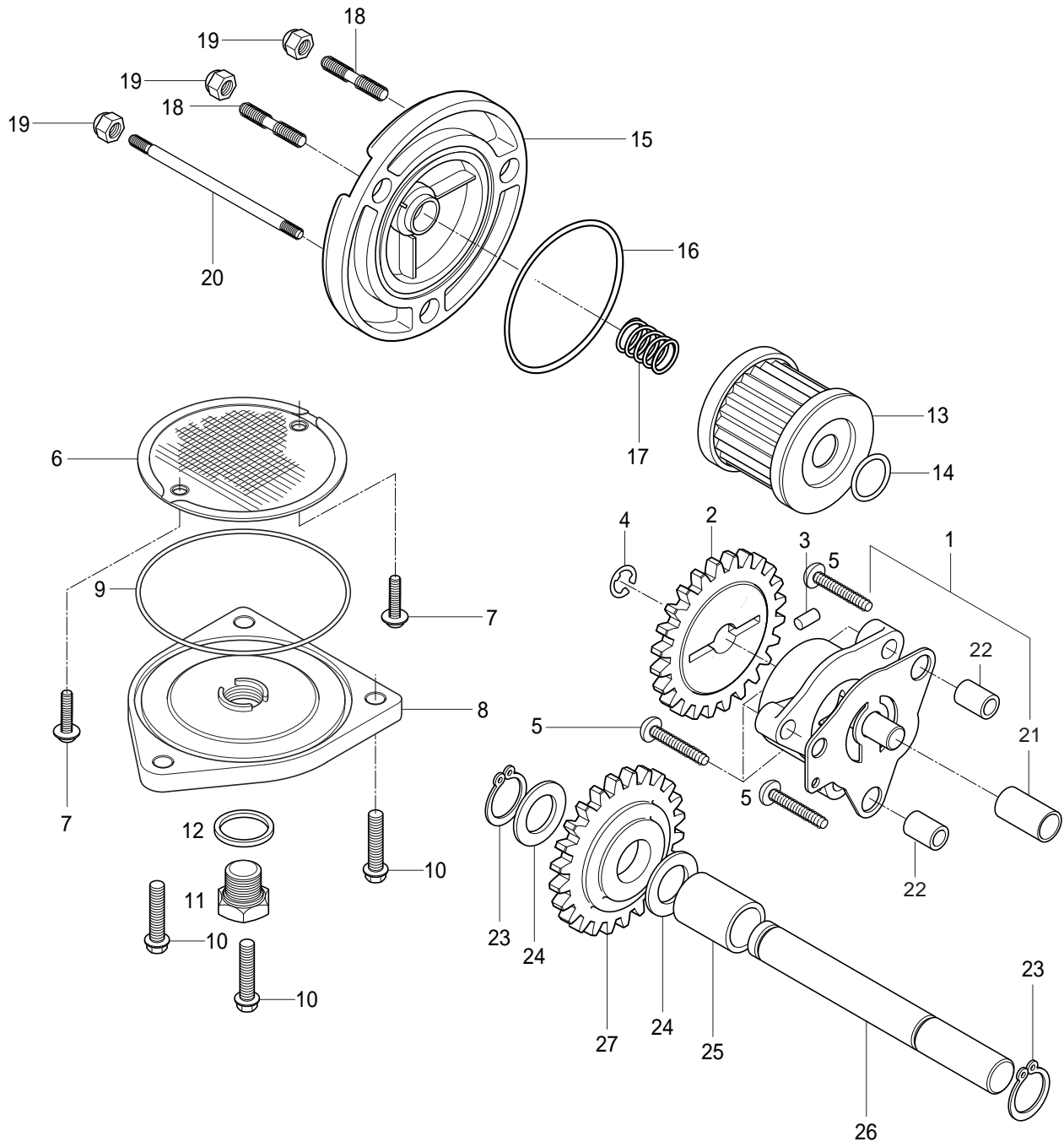
FIG 12



# FIG 12. MUFFLER

REI PARTS NO.					PARTS NAME	Q`T	REMARKS
NO.	ST01	KEU01 / KG01	KEN01 / LAT01	LUS01			
0	14305HJ8200PLH	14305HJ8200PLH	14305HJ8200PLH	14305HJ8200PLH	MUFFLER, ASS'Y	1	<b>KEN01</b>
			14305HJ8260PLH				<b>LAT01</b>
1	14310HJ8201PLH	14310HJ8201PLH	14310HJ8201PLH	14310HJ8201PLH	BODY COMP, muffler front	1	<b>KEN01</b>
			14310HJ8260PLH				<b>LAT01</b>
2	14320HJ8201PLH	14320HJ8201PLH	14320HJ8201PLH	14320HJ8201PLH	BODY COMP, muffler rear	1	<b>KEN01</b>
			14320HJ8260PLH				<b>LAT01</b>
3	14411HG5102	14411HG5102	14411HG5102	14411HG5102	BRACKET, muffler support	1	5
4	14160HJ8200PLA	14160HJ8200PLA	14160HJ8200PLA	14160HJ8200PLA	PIPE COMP, exhaust rear	1	5
5	14150HJ8200PLA	14150HJ8200PLA	14150HJ8200PLA	14150HJ8200PLA	PIPE COMP, exhaust front	1	5
6	14291HG5101PLA	14291HG5101PLA	14291HG5101PLA	14291HG5101PLA	COVER COMP, exhaust pipe rear	1	5
7	14281HG5100PLA	14281HG5100PLA	14281HG5100PLA	14281HG5100PLA	COVER COMP, exhaust pipe front	1	5
8	14770HG5101PAM	14770HG5101PAM	14770HG5101PAM	14770HG5101PAM	CONNECTOR COMP, exhaust pipe	3	15
9	01137-08358	01137-08358	01137-08358	01137-08358	BOLT, connector exhaust pipe(M8*35)	3	30
10	09119H06001	09119H06001	09119H06001	09119H06001	BOLT, muffler cover	8	40
11	14292HG5101PLA	14292HG5101PLA	14292HG5101PLA	14292HG5101PLA	COVER, exhaust pipe connector	1	5
12	08316-26086	08316-26086	08316-26086	08316-26086	NUT, muffler support	4	
13	01421-08258	01421-08258	01421-08258	01421-08258	STUD BOLT, exhaust pipe(M8*25)	4	
14	09143H08001	09143H08001	09143H08001	09143H08001	NUT, exhaust pipe (M8)	4	
15	14181-46E00	14181-46E00	14181-46E00	14181-46E00	GASKET, exhaust pipe	2	20
16	14773HG5100	14773HG5100	14773HG5100	14773HG5100	GASKET, connector exhaust pipe	3	15
17	01517-08208	01517-08208	01517-08208	01517-08208	BOLT, muffler support(M8*20)	2	

FIG 13

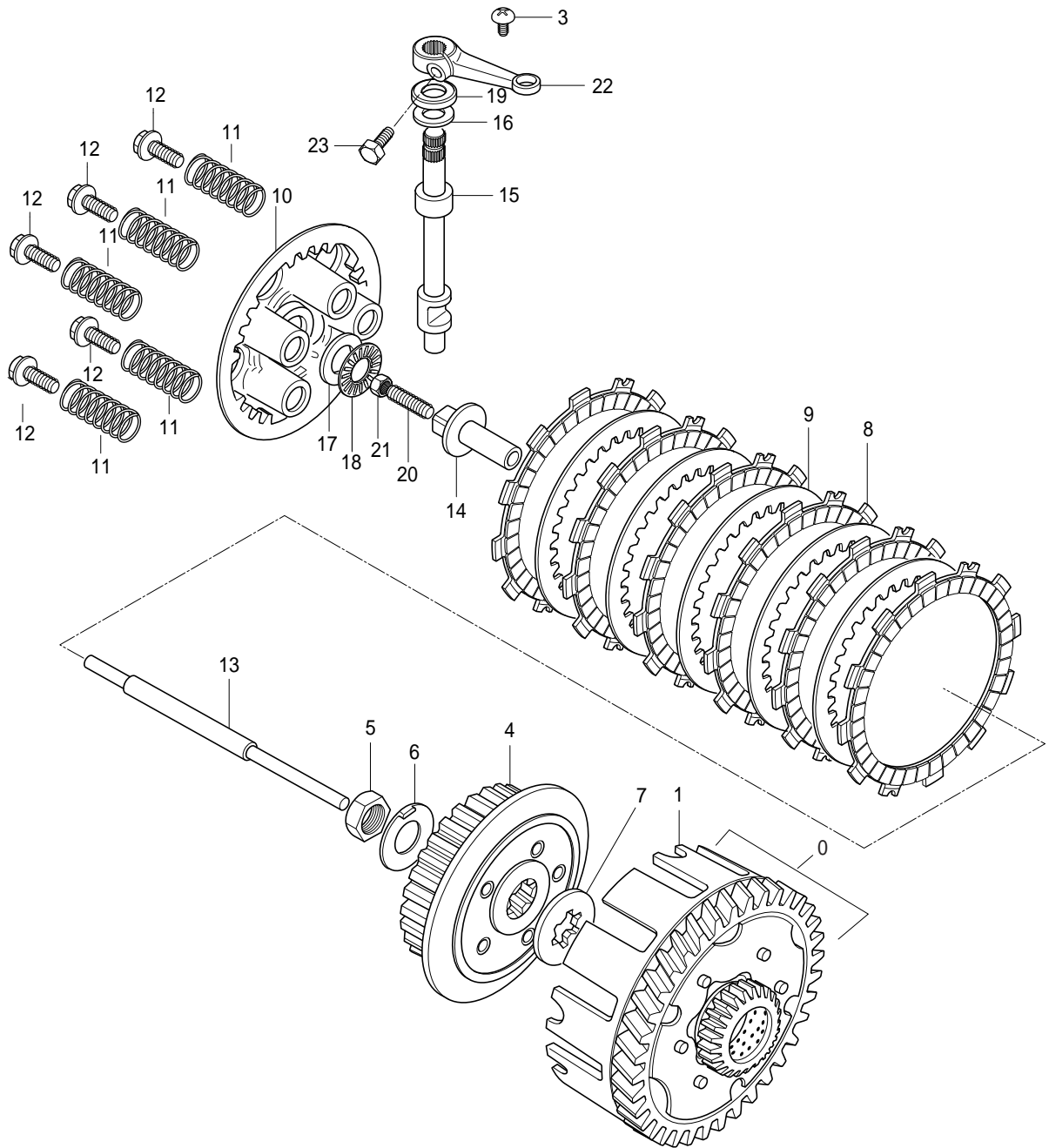


# FIG 13. OIL PUMP

REI PARTS NO.					PARTS NAME	Q`T	REMARKS
NO.	ST01	KEU01 / KG01	KEN01 / LAT01	LUS01			
1	16400HG5102	16400HG5102	16400HG5102	16400HG5102	PUMP ASSY, oil	1	
2	16331HG5102	16331HG5102	16331HG5102	16331HG5102	GEAR, oil pump driven	1	
3	09261-02001	09261-02001	09261-02001	09261-02001	PIN, oil pump driven gear	1	
4	08332-11069	08332-11069	08332-11069	08332-11069	CIRCLIP, oil pump driven gear	1	
5	02112-06258	02112-06258	02112-06258	02112-06258	SCREW, oil pump(M6*25)	3	
6	16520-05202	16520-05202	16520-05202	16520-05202	STRAINER COMP, engine oil	1	
7	02112-95126	02112-95126	02112-95126	02112-95126	SCREW, engine oil strainer(M5*12)	2	
8	16523-05200	16523-05200	16523-05200	16523-05200	CAP, oil strainer	1	5
9	09280-60005	09280-60005	09280-60005	09280-60005	O-RING, strainer cap (60.5*2.4)	1	
10	01547-06208	01547-06208	01547-06208	01547-06208	BOLT, oil strainer cap(M6*20)	3	
11	09247-14002	09247-14002	09247-14002	09247-14002	PLUG, oil drain	1	5
12	09168H14003	09168H14003	09168H14003	09168H14003	GASKET, drain plug	1	10
13	16510-05240	16510-05240	16510-05240	16510-05240	FILTER COMP, engine oil	1	20
14	09280-13004	09280-13004	09280-13004	09280-13004	O-RING, oil filter (13.5*1.5)	1	
15	16512HG51000BF	16512HG51000BF	16512HG51000BF	16512HG51000BF	CAP, oil filter	1	
16	09280-54001	09280-54001	09280-54001	09280-54001	O-RING, oil filter cap (25.7*3.5)	1	
17	09440-18002	09440-18002	09440-18002	09440-18002	SPRING, oil filter cap	1	
18	01421-06128	01421-06128	01421-06128	01421-06128	BOLT, oil filter cap stud(M6*12)	2	
19	08313-11068	08313-11068	08313-11068	08313-11068	NUT, oil filter cap(M6)	3	
20	01421-06658	01421-06658	01421-06658	01421-06658	BOLT, oil filter cap stud(M6*65)	1	
21	16419HG5100	16419HG5100	16419HG5100	16419HG5100	BUSH, oil pump	1	
22	09206-08001	09206-08001	09206-08001	09206-08001	PIN, oil pump knock	2	
23	08331-31109	08331-31109	08331-31109	08331-31109	CIRCLIP,oil pump idle	2	
24	08211-10181	08211-10181	08211-10181	08211-10181	WASHER,oil pump idle gear thrust	2	
25	09180H10022	09180H10022	09180H10022	09180H10022	SPACER, oil pump idle gear	1	
26	16451HG5101	16451HG5101	16451HG5101	16451HG5101	SHAFT, oil pump idle gear	1	
27	16431HG5104	16431HG5104	16431HG5104	16431HG5104	GEAR, oil pump idle	1	



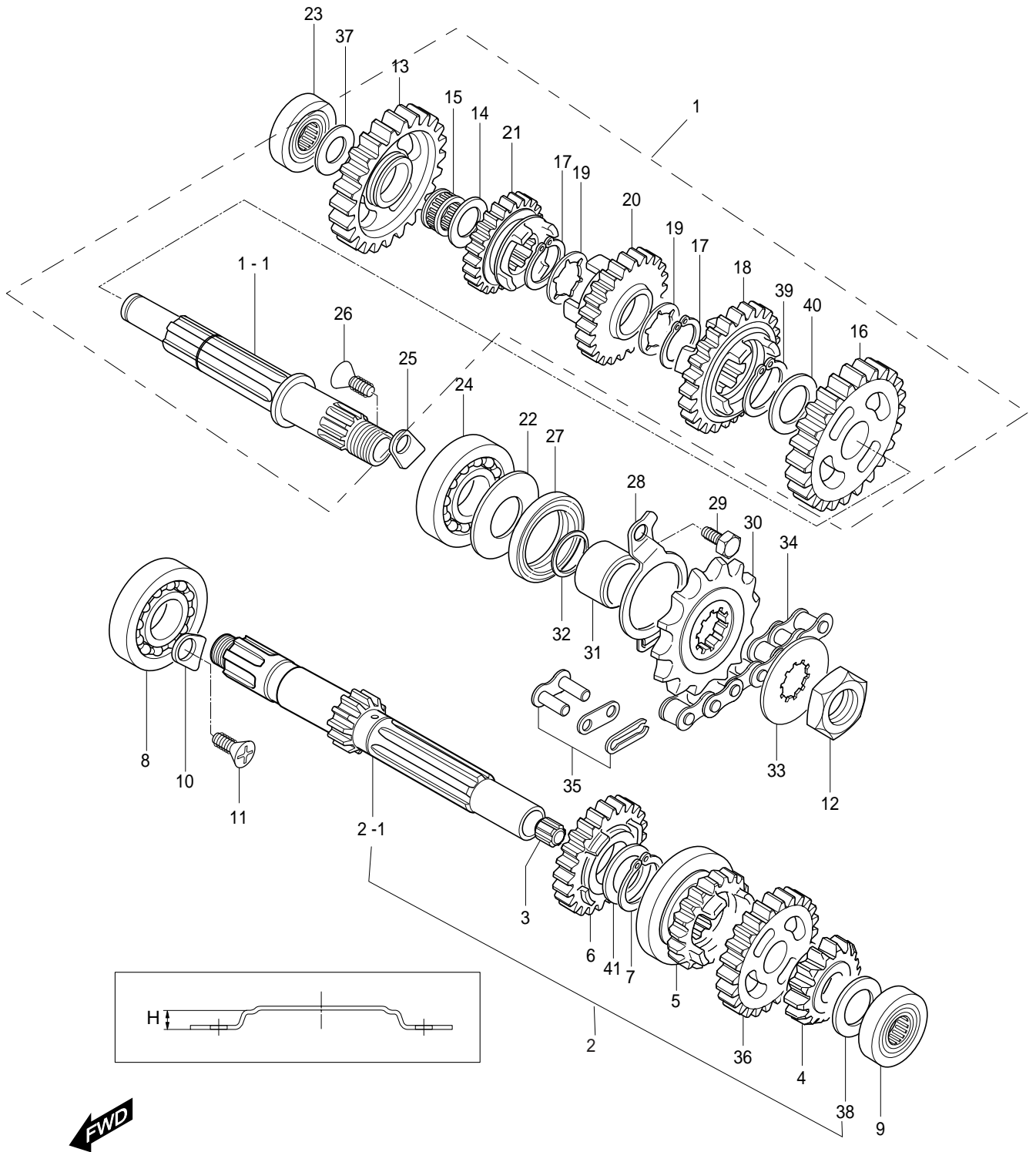
FIG.14



# FIG 14. CLUTCH ASS'Y

REF. PARTS NO.					PARTS NAME	Q'TY	REMARKS
NO.	ST01	KEU01 / KG01	KEN01 / LAT01	LUS01			
0	21200HJ8200HPA	21200HJ8200HPA	21200HJ8200HPA	21200HJ8200HPA	GEAR ASS'Y,primary driven	1	
1	21210HJ8201	21210HJ8201	21210HJ8201	21210HJ8201	GEAR COMP, primary driven	1	
2	21251H13E00	21251H13E00	21251H13E00	21251H13E00	SPACER, primary driven gear	1	NOT SALE
3	02142-06108	02142-06108	02142-06108	02142-06108	STOPPER, clutch release camshaft oil	1	
4	21411HJ8202	21411HJ8202	21411HJ8202	21411HJ8202	HUB, clutch sleeve	1	
5	09140-16014	09140-16014	09140-16014	09140-16014	NUT, clutch sleeve hub (M16)	1	
6	09169H16001	09169H16001	09169H16001	09169H16001	WASHER, clutch sleeve hub	1	
7	09167H18001	09167H18001	09167H18001	09167H18001	THRUST WASHER, clutch sleeve hub	1	
8	21441HJ8201	21441HJ8201	21441HJ8201	21441HJ8201	PLATE, clutch drive	6	
9	21451HJ8201	21451HJ8201	21451HJ8201	21451HJ8201	PLATE, clutch driven	5	
10	21462HJ8201	21462HJ8201	21462HJ8201	21462HJ8201	DISK, clutch pressure	1	
11	09440H16003	09440H16003	09440H16003	09440H16003	SPRING, clutch	5	
12	09116H05001	09116H05001	09116H05001	09116H05001	BOLT, clutch spring (M5*20)	5	
13	23110HJ8201	23110HJ8201	23110HJ8201	23110HJ8201	ROD, clutch push	1	~KM4MJ51A151210526
13-1	23110HJ8202	23110HJ8202	23110HJ8202	23110HJ8202	ROD, clutch push	1	KM4MJ51A151210527~
13-2	23115HN9100	23115HN9100	23115HN9100	23115HN9100	ROD, clutch push NO.2	1	KM4MJ51A151210527~
13-3	23113HJ8200	23113HJ8200	23113HJ8200	23113HJ8200	ROD, clutch push R	1	KM4MJ51A151210527~
14	23121-38201	23121-38201	23121-38201	23121-38201	PIECE, clutch push	1	
15	23122HG5100	23122HG5100	23122HG5100	23122HG5100	CAM SHAFT, clutch release	1	
16	08211-10201	08211-10201	08211-10201	08211-10201	THRUST WASHER, clutch release camshaft	1	
17	09160-15015	09160-15015	09160-15015	09160-15015	THRUST WASHER, clutch release	1	
18	09263H15001	09263H15001	09263H15001	09263H15001	THRUST BEARING, clutch release	1	
19	09282-10007	09282-10007	09282-10007	09282-10007	OIL SEAL, clutch release camshaft(10×20×6)	1	
20	09134-06010	09134-06010	09134-06010	09134-06010	SCREW, clutch release adjuster (M6*1)	1	
21	08310-22068	08310-22068	08310-22068	08310-22068	NUT, clutch release adjuster(M6)	1	
22	23271HJ8250	23271HJ8250	23271HJ8250	23271HJ8250	ARM, clutch release	1	
23	01107-06168	01107-06168	01107-06168	01107-06168	BOLT, clutch release arm(M6*16)	1	

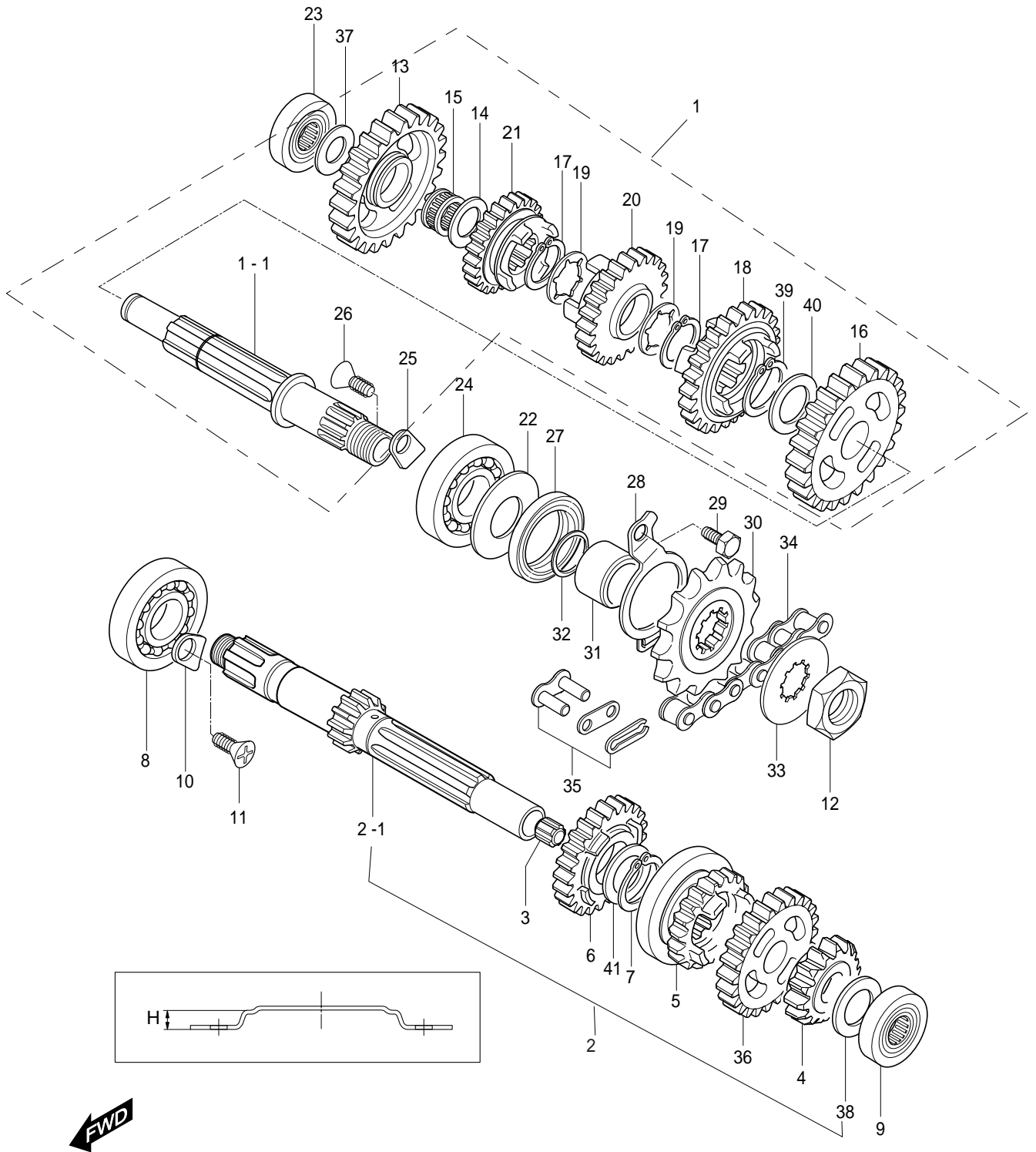
FIG.15



# FIG 15. TRANSMISSION

REF. PARTS NO.					PARTS NAME	QTY	REMARKS
NO.	ST01	KEU01 / KG01	KEN01 / LAT01	LUS01			
1	24130HJ8200HPA	24130HJ8200HPA	24130HJ8200HPA	24130HJ8200HPA	DRIVE SHAFT ASS'Y	1	
1-1	24130HJ8201	24130HJ8201	24130HJ8201	24130HJ8201	SHAFT COMP,drive		
2	24121HJ8200HPA	24121HJ8200HPA	24121HJ8200HPA	24121HJ8200HPA	COUNT SHAFT ASS'Y	1	
2-1	24121HJ8201	24121HJ8201	24121HJ8201	24121HJ8201	SHAFT, counter		~KM4MJ51A861210999
2-1~1	24121HJ8202	24121HJ8202	24121HJ8202	24121HJ8202	SHAFT, counter		KM4MJ51A861211000~
3	24125-38201	24125-38201	24125-38201	24125-38201	BUSH, counter shaft	1	
4	24221HJ8201	24221HJ8201	24221HJ8201	24221HJ8201	GEAR, 2nd drive	1	
5	24241HJ8200	24241HJ8200	24241HJ8200	24241HJ8200	GEAR COMP, 4rd drive	1	
6	24251HJ8201	24251HJ8201	24251HJ8201	24251HJ8201	GEAR, 5th drive	1	
7	09380H20001	09380H20001	09380H20001	09380H20001	CIRCLIP, 5th drive gear	1	
8	08110-62050	08110-62050	08110-62050	08110-62050	BEARING, counter shaft R (#6205)	1	
9	09263H17001	09263H17001	09263H17001	09263H17001	BEARING, counter shaft L (24*17*18)	1	
10	24741HG5100	24741HG5100	24741HG5100	24741HG5100	RETAINER, counter shaft bearing	1	
11	02122-06128	02122-06128	02122-06128	02122-06128	SCREW, counter shaft bearing retainer(M6*1)	1	
12	09140-16017	09140-16017	09140-16017	09140-16017	NUT, engine sprocket (M21)	1	
13	24311HJ8200	24311HJ8200	24311HJ8200	24311HJ8200	GEAR, 1st driven	1	
14	08211-17261	08211-17261	08211-17261	08211-17261	THRUST WASHER, 1st driven gear L	1	
15	09263H17008	09263H17008	09263H17008	09263H17008	BEARING, 1st driven gear (21*17*9.8)	1	
16	24320HJ8200	24320HJ8200	24320HJ8200	24320HJ8200	GEAR COMP, 2nd driven	1	
17	09380H20001	09380H20001	09380H20001	09380H20001	CIRCLIP, 4th drive gear	2	
18	24331HJ8200	24331HJ8200	24331HJ8200	24331HJ8200	GEAR, 3rd driven	1	
19	09167H18002	09167H18002	09167H18002	09167H18002	THRUST WASHER, 4th driven gear	2	
20	24341HJ8200	24341HJ8200	24341HJ8200	24341HJ8200	GEAR, 4th driven	1	
21	24351HJ8202	24351HJ8202	24351HJ8202	24351HJ8202	GEAR, 5th driven	1	
22	24359-05200	24359-05200	24359-05200	24359-05200	WASHER, oil sealing	1	~KM4MJ51A861210999
22~1	09160H20011	09160H20011	09160H20011	09160H20011	WASHER, oil sealing	1	KM4MJ51A861211000~

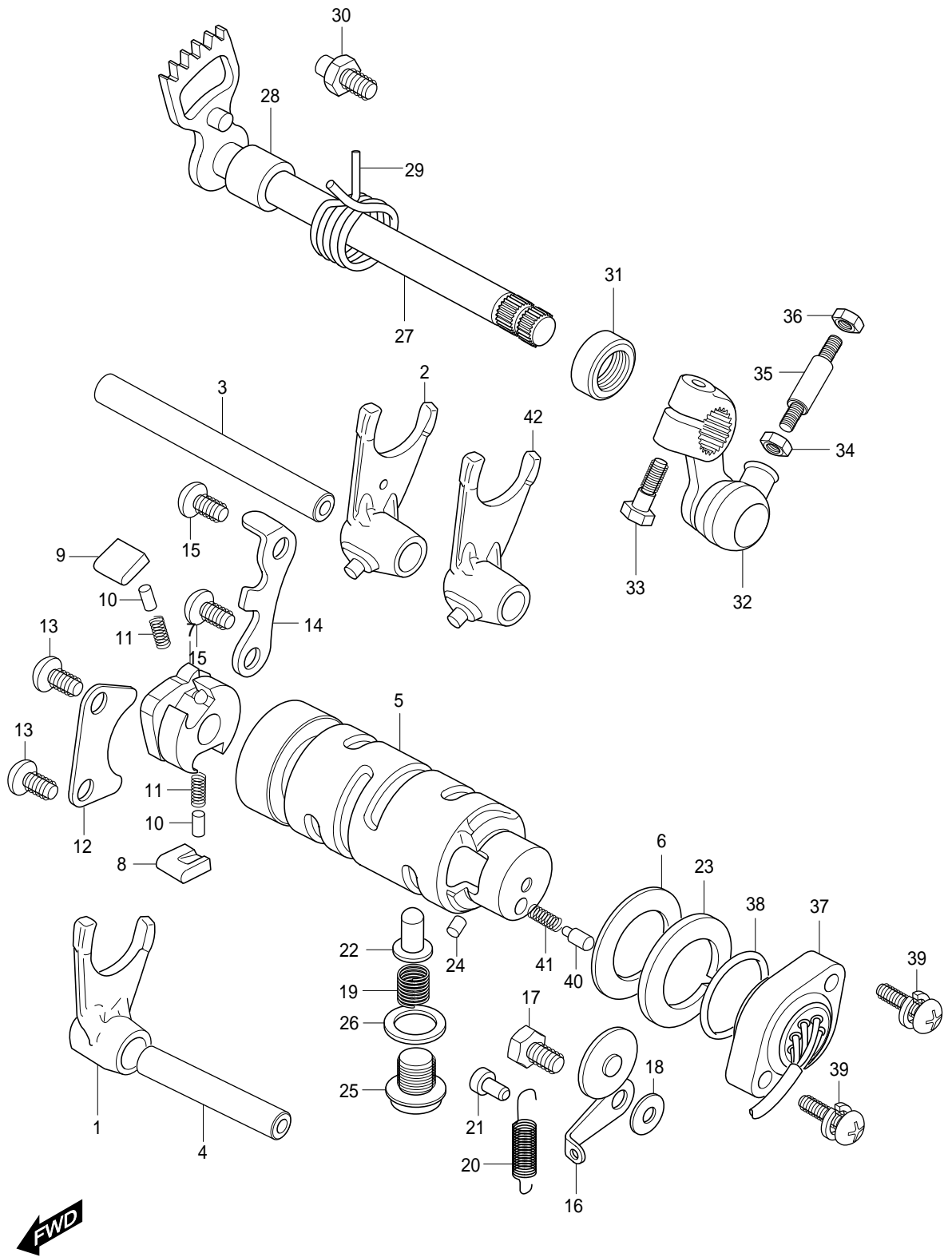
FIG.15



# FIG 15. TRANSMISSION

REF PARTS NO.							PARTS NAME	QTY	REMARKS	REC.Q'TY
NO. DOMESTIC	ST01	LSN01	KEU01	KG01	LG01	LEU01			(PCS)	
31	27510H41721	27510H41721	27510H41721	27510H41721	27510H41721	27510H41721	27510H41721	SPROCKET COMP, engine(	1	3
32	27531HG5101	27531HG5101	27531HG5101	27531HG5101	27531HG5101	27531HG5101	27531HG5101	SPACER, engine sprocket	1	
33	09280-19005	09280-19005	09280-19005	09280-19005	09280-19005	09280-19005	09280-19005	O-RING, engine sprocket	1	
34	09167-20006	09167-20006	09167-20006	09167-20006	09167-20006	09167-20006	09167-20006	LOCK WASHER, engine spr	1	
35	27600HG5100	27600HG5150	27600HG5150	27600HG5150	27600HG5150	27600HG5150	27600HG5150	CHAIN ASS'Y, drive(138L)	1	
36	27620HG5100	27620HG5100	27620HG5100	27620HG5100	27620HG5100	27620HG5100	27620HG5100	JOINT, chain	1	NOT SALE
37	24260HG5100	24260HG5100	24260HG5100	24260HG5100	24260HG5100	24260HG5100	24260HG5100	GEAR, 6th driven	1	
38	09180H15029	09180H15029	09180H15029	09180H15029	09180H15029	09180H15029	09180H15029	SPACER, drive shaft R	1	
39	09180H15031	09180H15031	09180H15031	09180H15031	09180H15031	09180H15031	09180H15031	SPACER, drive shaft L	1	

FIG.16

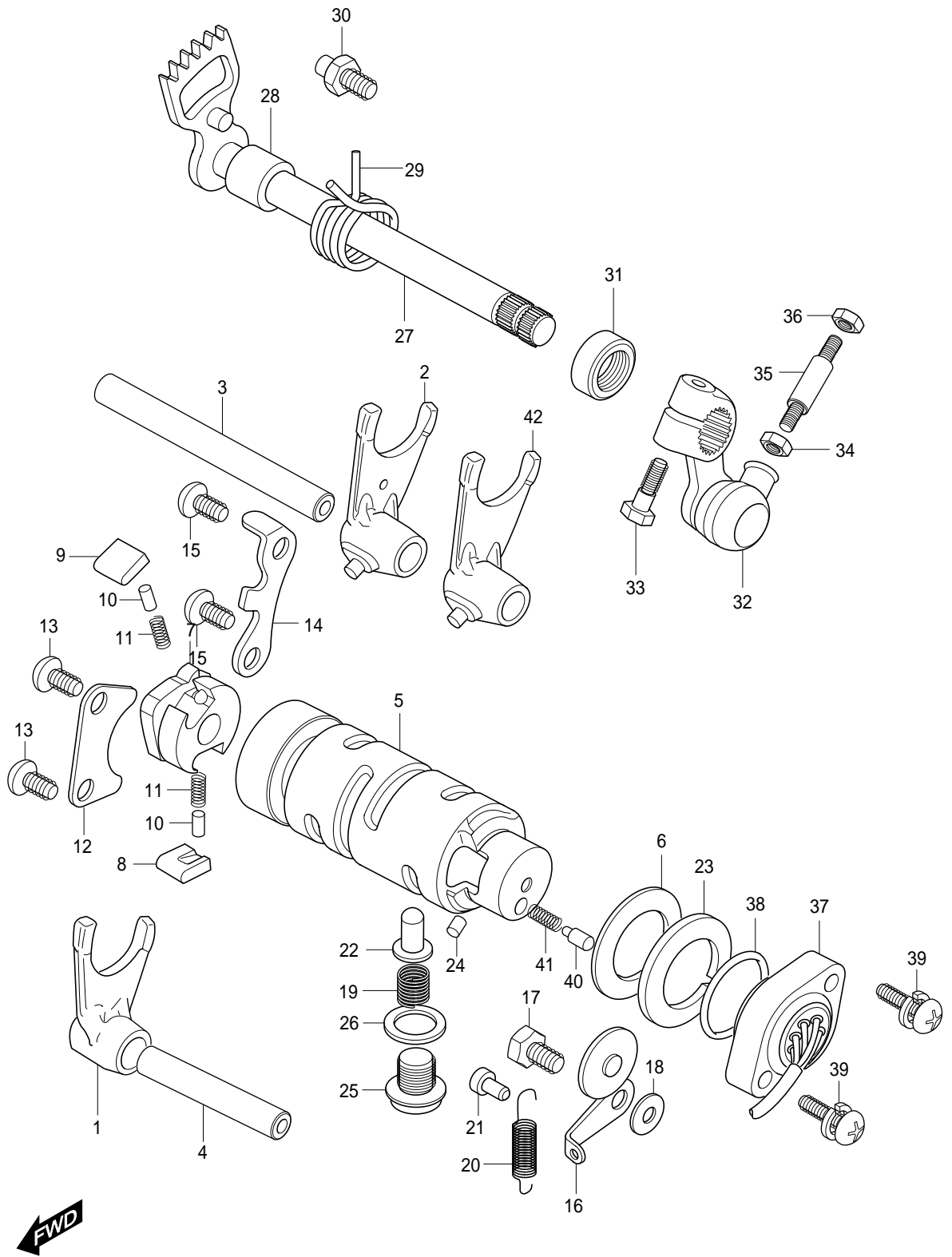


# FIG 16. GEAR SHIFTING

REI PARTS NO.					PARTS NAME	Q`T	REMARKS
NO.	ST01	KEU01 / KG01	KEN01 / LAT01	LUS01			
1	25211HJ8200	25211HJ8200	25211HJ8200	25211HJ8200	FORK, gear shift NO.1	1	6
2	25231HJ8200	25231HJ8200	25231HJ8200	25231HJ8200	FORK, gear shift NO.3	1	3
3	25411-05201	25411-05201	25411-05201	25411-05201	SHAFT, gear shift fork NO.1	1	3
4	25421-35403	25421-35403	25421-35403	25421-35403	SHAFT, gear shift fork NO.2	1	3
5	25310HJ8200	25310HJ8200	25310HJ8200	25310HJ8200	CAM COMP, gear shift	1	3
6	08211-25401	08211-25401	08211-25401	08211-25401	WASHER, gear shift cam	1	
7	25322-31301	25322-31301	25322-31301	25322-31301	GEAR, gear shift cam driven	1	
8	25323-34201	25323-34201	25323-34201	25323-34201	PAWL, gear shift NO.1	1	
9	25324-34201	25324-34201	25324-34201	25324-34201	PAWL, gear shift NO.2	1	
10	09261-05003	09261-05003	09261-05003	09261-05003	PIN, gear shift pawl click	2	
11	09440-04003	09440-04003	09440-04003	09440-04003	SPRING, gear shift pawl return	2	
12	25331-30000	25331-30000	25331-30000	25331-30000	LIFTER, gear shift pawl	1	
13	02122-06128	02122-06128	02122-06128	02122-06128	SCREW, gear shift pawl(M6*12)	2	
14	25341HG5100	25341HG5100	25341HG5100	25341HG5100	GUIDE, gear shift cam	1	
15	02122-06128	02122-06128	02122-06128	02122-06128	SCREW, gear shift pawl lifter(M6*12)	2	
16	25350HG5100	25350HG5100	25350HG5100	25350HG5100	STOPPER COMP, gear shift cam	1	
17	09111-06019	09111-06019	09111-06019	09111-06019	BOLT, gear shift cam stopper (M10*14.6)	1	
18	08211-06141	08211-06141	08211-06141	08211-06141	WASHER, gear shift cam stopper	1	
19	09440H11020	09440H11020	09440H11020	09440H11020	SPRING, gear shift cam stopper	1	
20	09443H08044	09443H08044	09443H08044	09443H08044	SPRING, gear shift cam stopper arm	1	
21	09223-04001	09223-04001	09223-04001	09223-04001	HOOK, gear shift shaft spring	1	
22	25351-30010	25351-30010	25351-30010	25351-30010	STOPPER, gear shift cam neutral	1	
23	25381-45400	25381-45400	25381-45400	25381-45400	PLATE, gear shift cam stopper	1	
24	04221-04069	04221-04069	04221-04069	04221-04069	PIN, gear shift cam stopper plate	1	
25	09247-14026	09247-14026	09247-14026	09247-14026	PLUG, gear shift cam stopper	1	5
26	09168H14003	09168H14003	09168H14003	09168H14003	WASHER, gear shift cam stopper plug	1	10
27	25510HG5101	25510HG5101	25510HG5101	25510HG5101	SHAFT COMP, gear shift	1	5



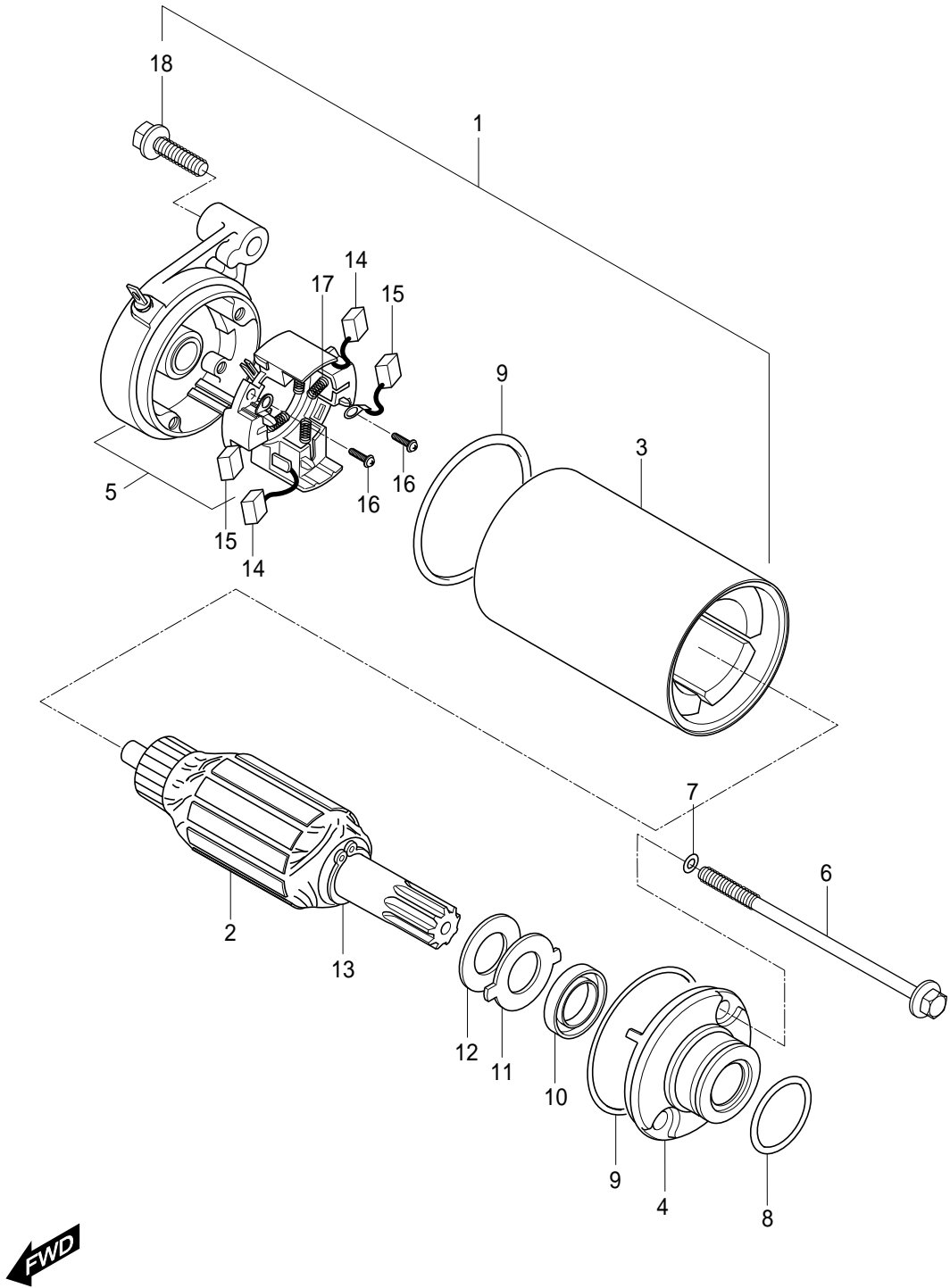
FIG.16



# FIG 16. GEAR SHIFTING

REI PARTS NO.					PARTS NAME	Q`T REMARKS
NO.	ST01	KEU01 / KG01	KEN01 / LAT01	LUS01		
28	09180-12068	09180-12068	09180-12068	09180-12068	SPACER, gear shift shaft	1
29	09444-26013	09444-26013	09444-26013	09444-26013	.SPRING, gear shift shaft return	1
30	25671-01000	25671-01000	25671-01000	25671-01000	SPOPPER, gear shift arm	1
31	09285-12002	09285-12002	09285-12002	09285-12002	OIL SEAL, gear shift shaft (22*9)	1
32	25520-32C00	25520-32C00	25520-32C00	25520-32C00	.ARM COMP, gear shift link	1
33	01107-06208	01107-06208	01107-06208	01107-06208	BOLT, gear shift link arm (M6*20)	1
34	08310-11068	08310-11068	08310-11068	08310-11068	.NUT, gear shift link rod R(M6)	1
35	25525HG5101	25525HG5101	25525HG5101	25525HG5101	.ROD, gear shift link	1
36	09140-06011	09140-06011	09140-06011	09140-06011	.NUT, gear shift link rod L (M6)	1
37	37720HG5151	37720HG5151	37720HG5151	37720HG5151	SWITCH ASSY, neutral	1
38	09280-26003	09280-26003	09280-26003	09280-26003	O-RING, gear shift switch (26.2*2.4)	1
39	02112-95208	02112-95208	02112-95208	02112-95208	SCREW, gear shift switch(M5*20)	3
40	09209-05011	09209-05011	09209-05011	09209-05011	CONTACT, gear shift switch	1
41	09440-04010	09440-04010	09440-04010	09440-04010	SPRING, gear shift switch contact	1
42	25221HJ8200	25221HJ8200	25221HJ8200	25221HJ8200	FORK,gear shift No.2	1

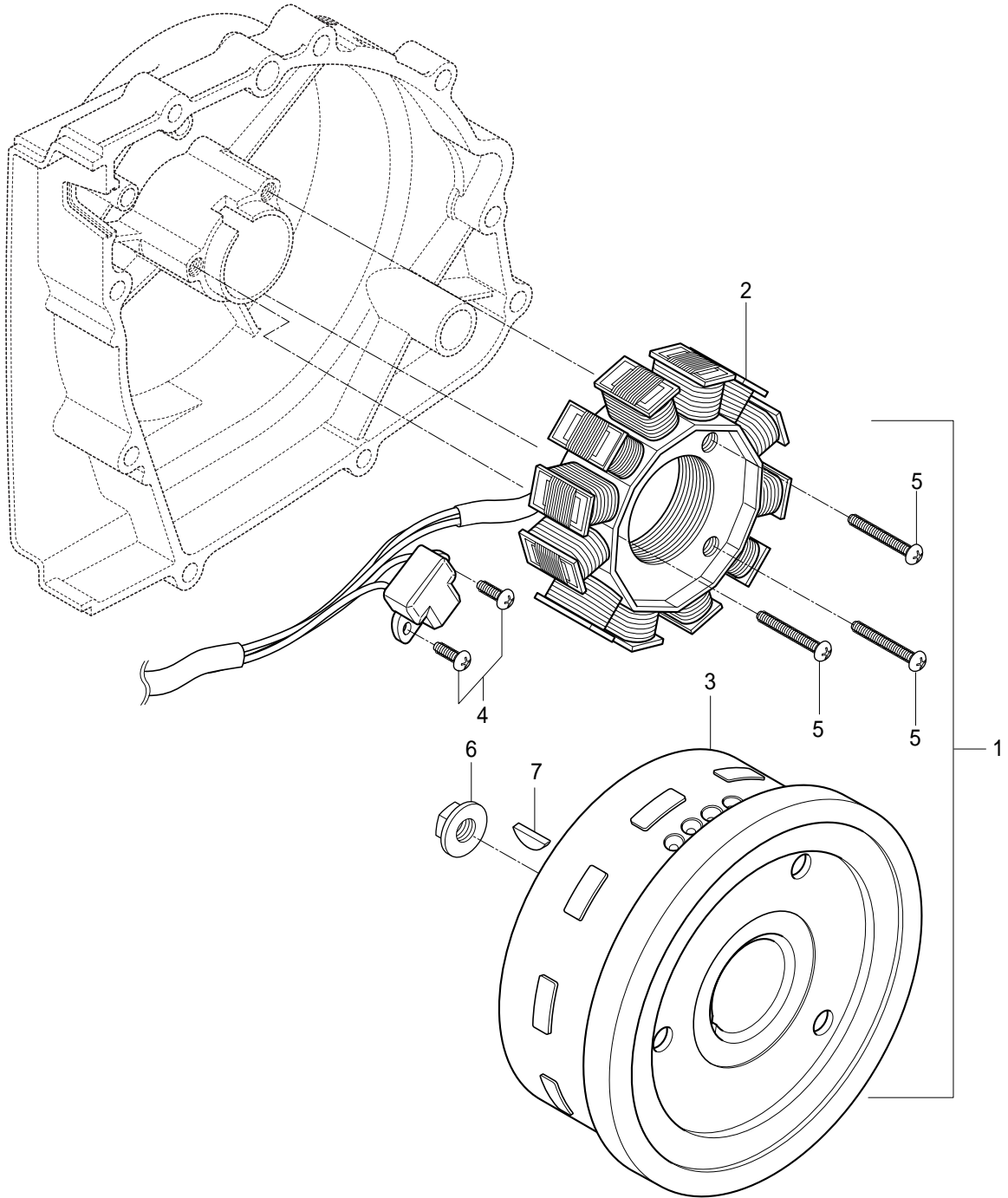
FIG.17



# FIG 17. STARTING MOTOR

REI PARTS NO.					PARTS NAME	Q`T	REMARKS
NO.	ST01	KEU01 / KG01	KEN01 / LAT01	LUS01			
1	31100HG5100	31100HG5100	31100HG5100	31100HG5100	MOTOR ASSY, starting	1	3
2	31310-11D10	31310-11D10	31310-11D10	31310-11D10	.ARMATURE ASSY, starter	1	
3	31100-05320	31100-05320	31100-05320	31100-05320	.YOKE ASSY, starter	1	
4	31150-42A01	31150-42A01	31150-42A01	31150-42A01	.HOUSING ASSY, starter	1	
5	31175-42A01	31175-42A01	31175-42A01	31175-42A01	.FRAME ASSY, commutator	1	
6	31281-32C10	31281-32C10	31281-32C10	31281-32C10	.BOLT, through	2	
7	31156-38300	31156-38300	31156-38300	31156-38300	.O-RING	2	
8	09280-24003	09280-24003	09280-24003	09280-24003	.O-RING	1	
9	31264-35C10	31264-35C10	31264-35C10	31264-35C10	.O-RING	2	
10	31153-49210	31153-49210	31153-49210	31153-49210	.SEAL, oil	1	
11	31361-32C00	31361-32C00	31361-32C00	31361-32C00	.PLATE, lock	1	
12	31361-38300	31361-38300	31361-38300	31361-38300	.WASHER, plater lock	1	
13	31361-10200	31361-10200	31361-10200	31361-10200	.RING, shaft snap	1	
14	31132-32C10	31132-32C10	31132-32C10	31132-32C10	.BRUSH SUB-ASSY, starter	2	
15	31131-32C20	31131-32C20	31131-32C20	31131-32C20	.BRUSH, starter	2	
16	31114-32C10	31114-32C10	31114-32C10	31114-32C10	.SCREW	2	
17	31135-32C10	31135-32C10	31135-32C10	31135-32C10	.SPRING, compression coil	4	
18	01547-06308	01547-06308	01547-06308	01547-06308	BOLT, starting motor(M6*30)	2	21

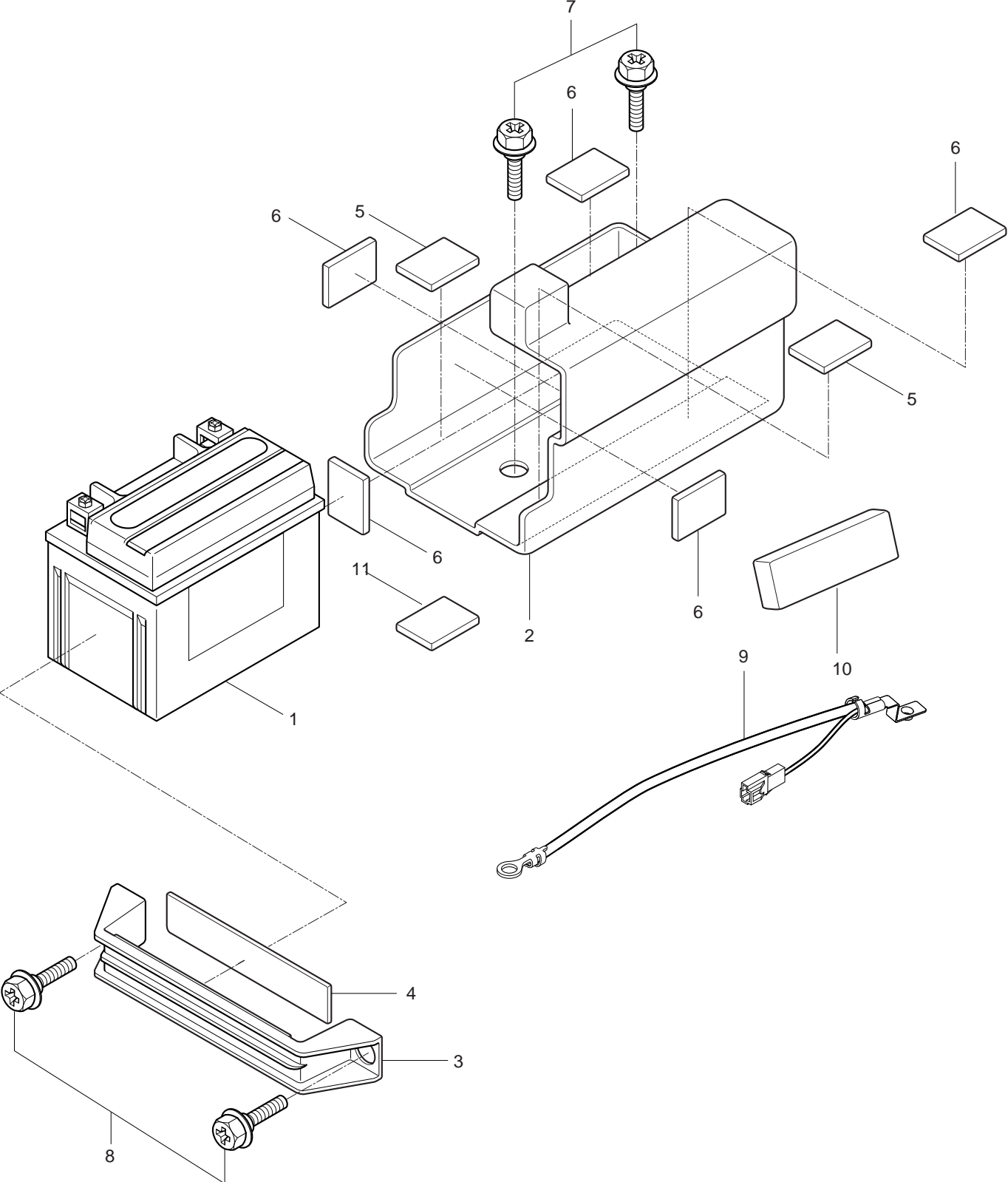
FIG 18



# FIG 18. MAGNETO ASS'Y

REI PARTS NO.					PARTS NAME	Q`T	REMARKS
NO.	ST01	KEU01 / KG01	KEN01 / LAT01	LUS01			
1	32100HJ8200	32100HJ8200	32100HJ8200	32100HJ8200	MAGNETO ASS'Y	1	
2	32101HG5100	32101HG5100	32101HG5100	32101HG5100	.STATOR ASS'Y	1	5
3	32102HJ8200	32102HJ8200	32102HJ8200	32102HJ8200	.ROTOR, fly wheel	1	5
4	02112-05128	02112-05128	02112-05128	02112-05128	.SCREW, pick-up coil(M5*12)	2	
5	02112-05258	02112-05258	02112-05258	02112-05258	SCREW, magneto stator(M5*25)	3	
6	08316-26128	08316-26128	08316-26128	08316-26128	NUT, magneto fly wheel(M12)	1	5
7	08341-31049	08341-31049	08341-31049	08341-31049	KEY, magneto	1	

FIG 19



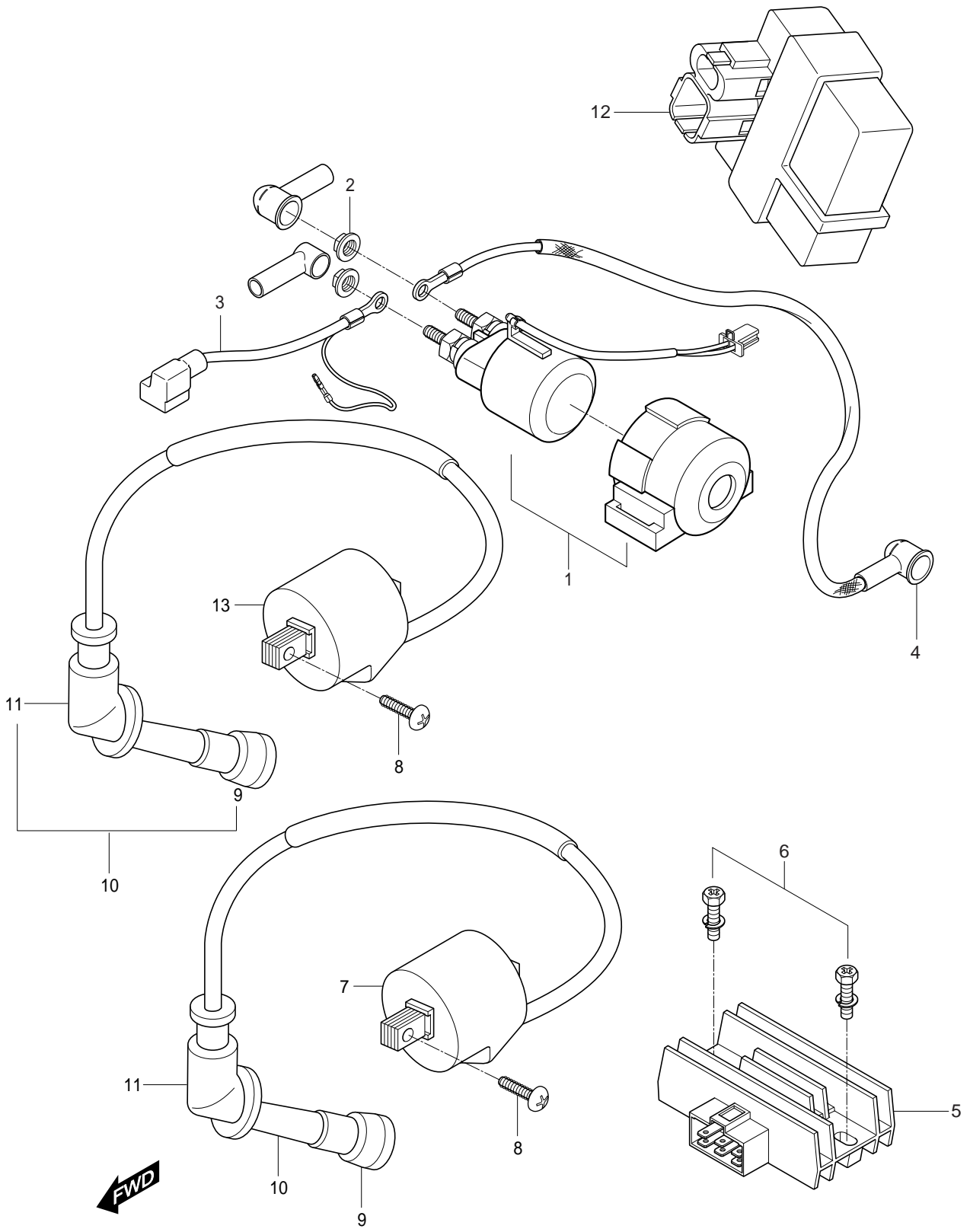
FWD

# FIG 19. BATTERY

REI PARTS NO.					PARTS NAME	Q`T	REMARKS
NO.	ST01	KEU01 / KG01	KEN01 / LAT01	LUS01			
1	33610HL8200	33610HL8200	33610HL8200	33610HL8200	BATTERY ASS'Y	1	~ KM4MJ525441207460
1~1	33610HG5100	33610HG5100	33610HG5100	33610HG5100	BATTERY ASS'Y	1	KM4MJ525441207461 ~
2	41541HG5104	41541HG5104	41541HG5104	41541HG5104	HOLDER, battery	1	
3	41542HG5102	41542HG5102	41542HG5102	41542HG5102	BAND, battery holder	1	
4	33652-29100	33652-29100	33652-29100	33652-29100	CUSHION, battery holder band	1	
5	46416HE6100	46416HE6100	46416HE6100	46416HE6100	CUSHION, battery holder No.1	2	
6	33652-01A10	33652-01A10	33652-01A10	33652-01A10	CUSHION, battery holder No.2	3	
7	02142-06166	02142-06166	02142-06166	02142-06166	BOLT, battery holder(M6*16)	2	
8	09128-06039	09128-06039	09128-06039	09128-06039	BOLT, battery holder band(M6*16)	2	
9	33860HL8200	33860HL8200	33860HL8200	33860HL8200	LEAD WIRE, battery minus	1	
10					PLATE, battery support		NOT SALE
11					CUSHION, battery support plate		NOT SALE



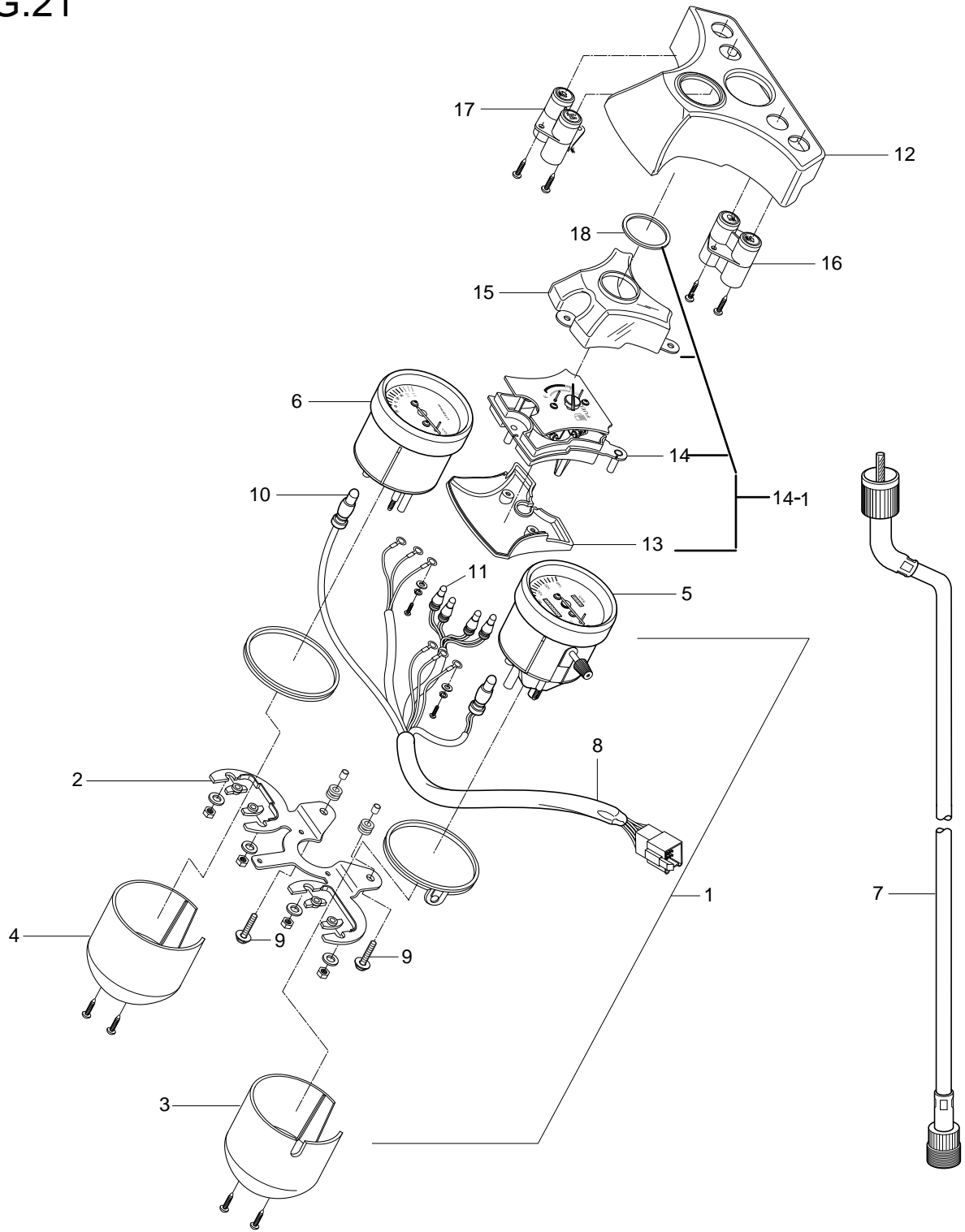
FIG.20



# FIG 20. ELECTRICAL

REI PARTS NO.					PARTS NAME	Q`T	REMARKS
NO.	ST01	KEU01 / KG01	KEN01 / LAT01	LUS01			
1	31800HG5100	31800HG5100	31800HG5100	31800HG5100	RELAY ASSY, startihg motor	1	5
2	08316-26066	08316-26066	08316-26066	08316-26066	NUT, startihg motor relay teminal(M6)	2	
3	33840HL8200	33840HL8200	33840HL8200	33840HL8200	LEAD WIRE, battery plus	1	
4	33850H93B01	33850H93B01	33850H93B01	33850H93B01	LEAD WIRE, starter motor	1	
5	32800H01413	32800H01413	32800H01413	32800H01413	RECTIFIER regulator ass'y	1	5
6	09128-06035	09128-06035	09128-06035	09128-06035	BOLT, rectifier (M6*20)	2	
7	33410HG5100	33410HG5100	33410HG5100	33410HG5100	COIL ASS'Y, ignition front	1	5
8	09128H06052	09128H06052	09128H06052	09128H06052	BOLT, ignition coil	4	
9	33541-23E01	33541-23E01	33541-23E01	33541-23E01	.SEAL, spark plug	2	NOT SALE
10	33510-05C01	33510-05C01	33510-05C01	33510-05C01	CAP, spark plug	2	5
11	33542-24D00	33542-24D00	33542-24D00	33542-24D00	.SEAL, high tention cord	2	NOT SALE
12	32900HJ8203	32900HJ8253	32900HJ8253	32900HJ8253	C.D.I UNIT	1	5
13	33430HG5100	33430HG5100	33430HG5100	33430HG5100	COIL ASS'Y, ignition rear	1	5
14	09180-06072	09180-06072	09180-06072	09180-06072	SPACER,ignition coil	4	
15						1	NOT SALE

FIG.21

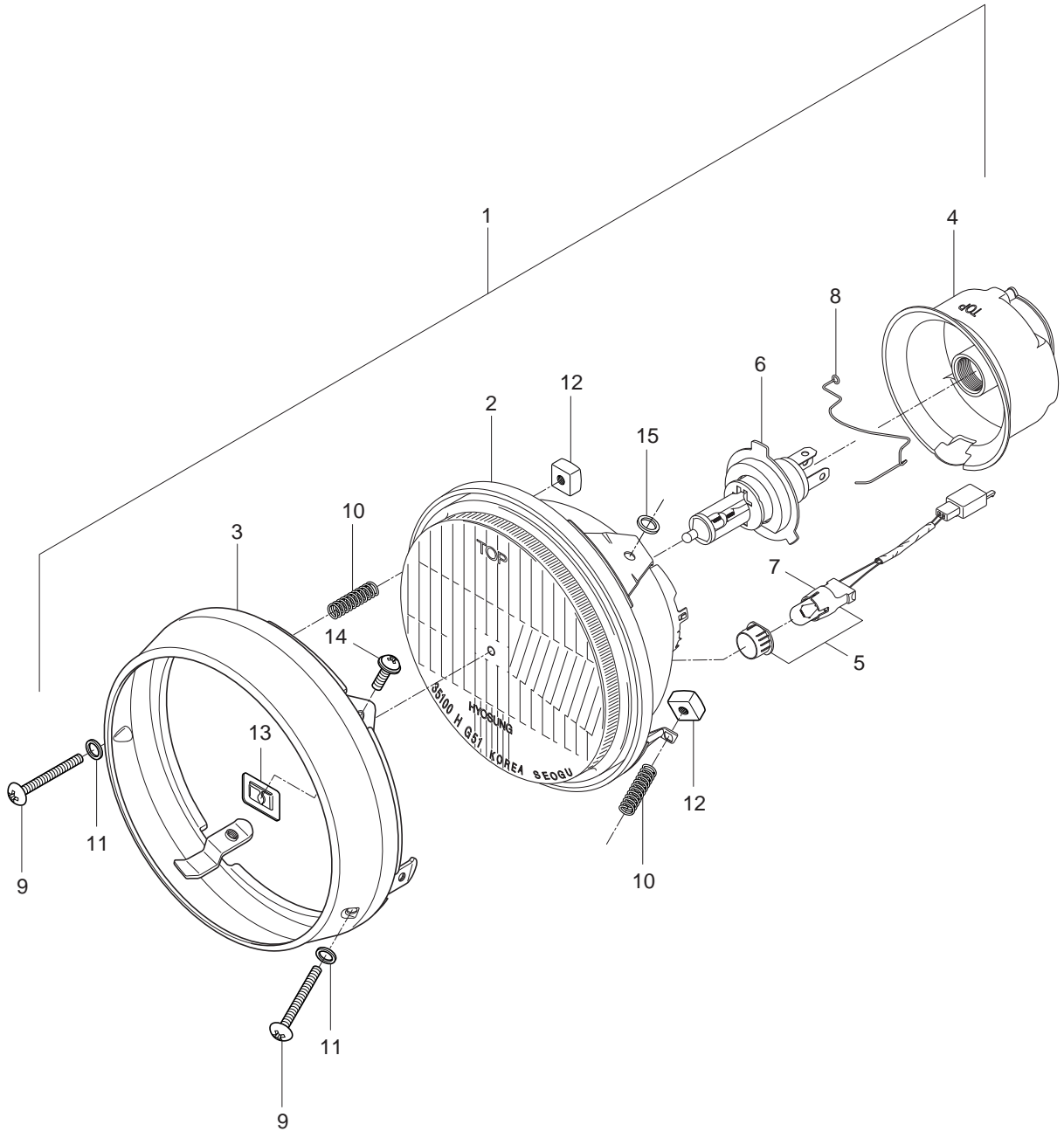


**FWD**

# FIG 21. SPEEDOMETER ASS'Y

REI PARTS NO.					PARTS NAME	Q`T	REMARKS
NO.	ST01	KEU01 / KG01	KEN01 / LAT01	LUS01			
1	34100HJ8200	34100HJ8250	34100HJ8250	34100HJ8261	SPEEDONETER ASS'Y	1	2
2	34950HG5100	34950HG5100	34950HG5100	34950HG5100	BRACKET	1	
3	34105H93B00	34105H93B00	34105H93B00	34105H93B00	LOWER CASE, speedometer	1	7
4	34106H93B00	34106H93B00	34106H93B00	34106H93B00	LOWER CASE, tachometer	1	7
5	34110HJ8200	34110HJ8250	34110HJ8250	34110HJ8260	SPEEDOMETER	1	
6	34120HJ8200	34120HJ8250	34120HJ8250	34120HJ8260	TACHOMETER	1	
7	34910HG5103	34910HG5103	34910HG5103	34910HG5103	CABLE ASS'Y, speedometer	1	7
8	34117HG5100	34117HG5100	34117HG5100	34117HG5100	WIRING ASS'Y, speedometer	1	
9	09116-06010	09116-06010	09116-06010	09116-06010	BOLT, speedometer bracket	2	
10	09471-12128	09471-12128	09471-12128	09471-12128	BULB(12V 1.7W) T10	2	
11	09471-12077	09471-12077	09471-12077	09471-12077	BULB(12V 1.7W) T6.5	4	
12	39110HG5100	39110HG5100	39110HG5100	39110HG5100	INDICATOR LAMP,upper	1	
13	39120HG5100	39120HG5100	39120HG5100	39120HG5100	INDICATOR LAMP ,lower	1	NOT SALE
14	34136HG5100	34136HG5100	34136HG5100	34136HG5100	COVER, fuel meter	1	NOT SALE
14-1	34130HG5100	35130HJ8250	34130HJ8250	34130HJ8260	FUEL METER,ass'y	1	
15	34135HG5100	34135HG5100	34135HG5100	34135HG5100	LENS, fuel meter	1	NOT SALE
16	34320HG5100	34320HG5100	34320HG5100	34320HG5100	LAMP, housing LH	1	
17	34310HG5100	34310HG5100	34310HG5100	34310HG5100	LAMP, housing RH	1	
18	34350HG5100	34350HG5100	34350HG5100	34350HG5100	PACKING, fuel meter	1	NOT SALE

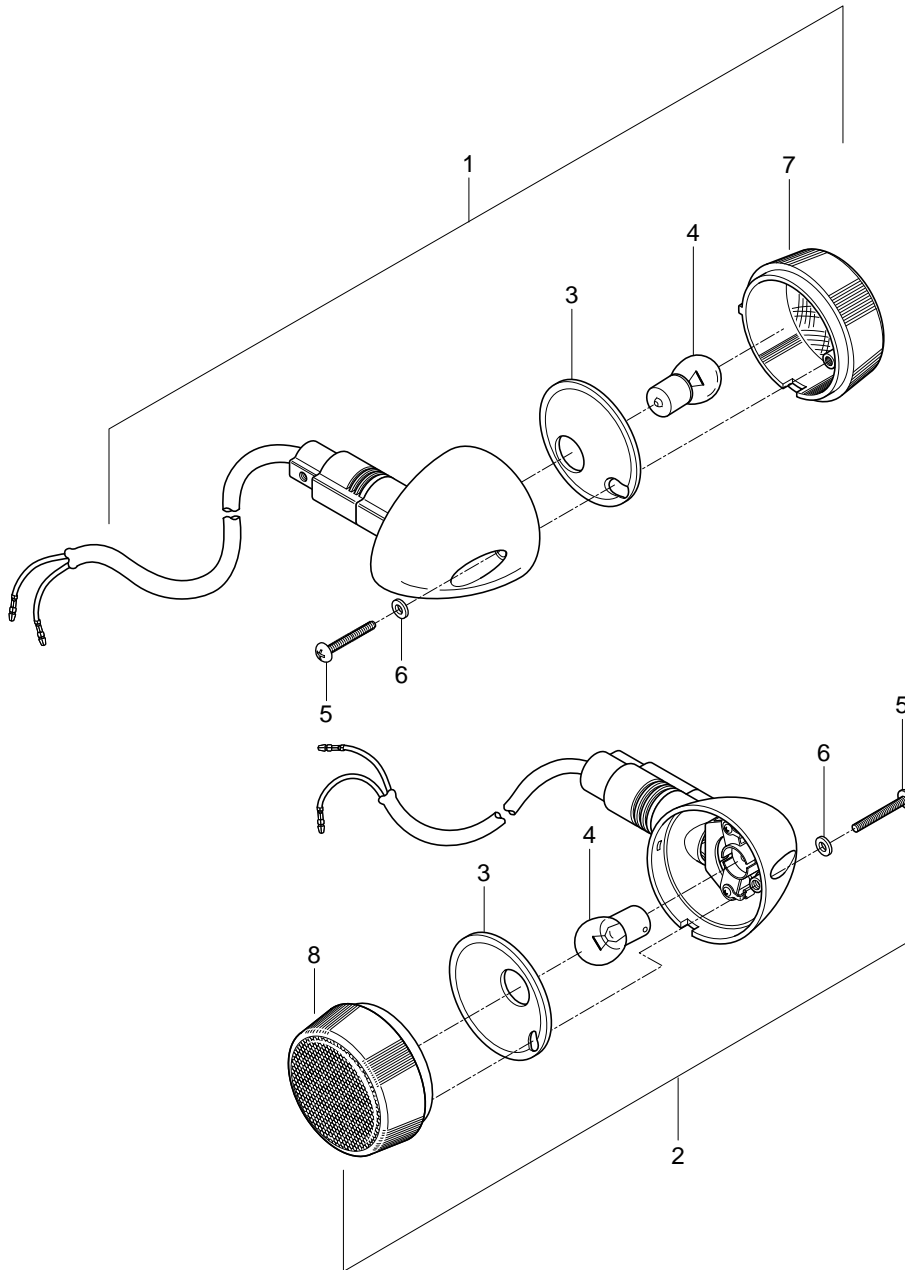
FIG.22



# FIG 22. HEAD LAMP

REI PARTS NO.					PARTS NAME	Q`T	REMARKS
NO.	ST01	KEU01 / KG01	KEN01 / LAT01	LUS01			
1	35100HM8101	35100HG5152	35100HM8161	35100HM8170	HEAD LAMP ASS'Y	1	3
1-1	35100HM8102		35100HM8162	35100HM8171	HEAD LAMP ASS'Y	1	3
2	35120HG5100	35120HM8150	35120HM8160		.REFLECTOR, headlamp	1	
2-2				35120HM8170	.REFLECTOR, headlamp	1	
3	35111HM8100	35111HM8100	35111HM8100	35111HM8100	.RIM, headlamp	1	
4	35173HM8100	35173HM8100	35173HM8100	35173HM8100	.DUST COVER	1	
5	35160HE8320	35160HE8320	35160HE8320	35160HE8320	.CORD COMP, front position lamp	1	
5-1	09471-12100	09471-12100	09471-12100		.BULB, head lamp(12V 60/55W)	1	20
6				09471H12106	.BULB, head lamp(12V 60/55W)	1	
7	09471-12210	09471-12210	09471-12210	09471-12210	.BULB, front position lamp(12V5W)	1	15
8	35175H93B00	35175H93B00	35175H93B00	35175H93B00	.SPRING, bulb socket	1	
9	35151HG5100	35151HG5100	35151HG5100	35151HG5100	.SCREW, aiming	2	
10	35154-48510	35154-48510	35154-48510	35154-48510	.SPRING, aiming	2	
11	35128H93B00	35128H93B00	35128H93B00	35128H93B00	.WASHER, aiming	2	
12	35152-48510	35152-48510	35152-48510	35152-48510	.AIMMING, grommet	2	
13	35135-12610	35135-12610	35135-12610	35135-12610	.SPACER, aiming nut	1	
14	02112-05088	02112-05088	02112-05088	02112-05088	.SCREW, aiming(M5*8)	2	
15	35136HG5800	35136HG5800	35136HG5800	35136HG5800	.WASHER, aiming	2	

FIG.23

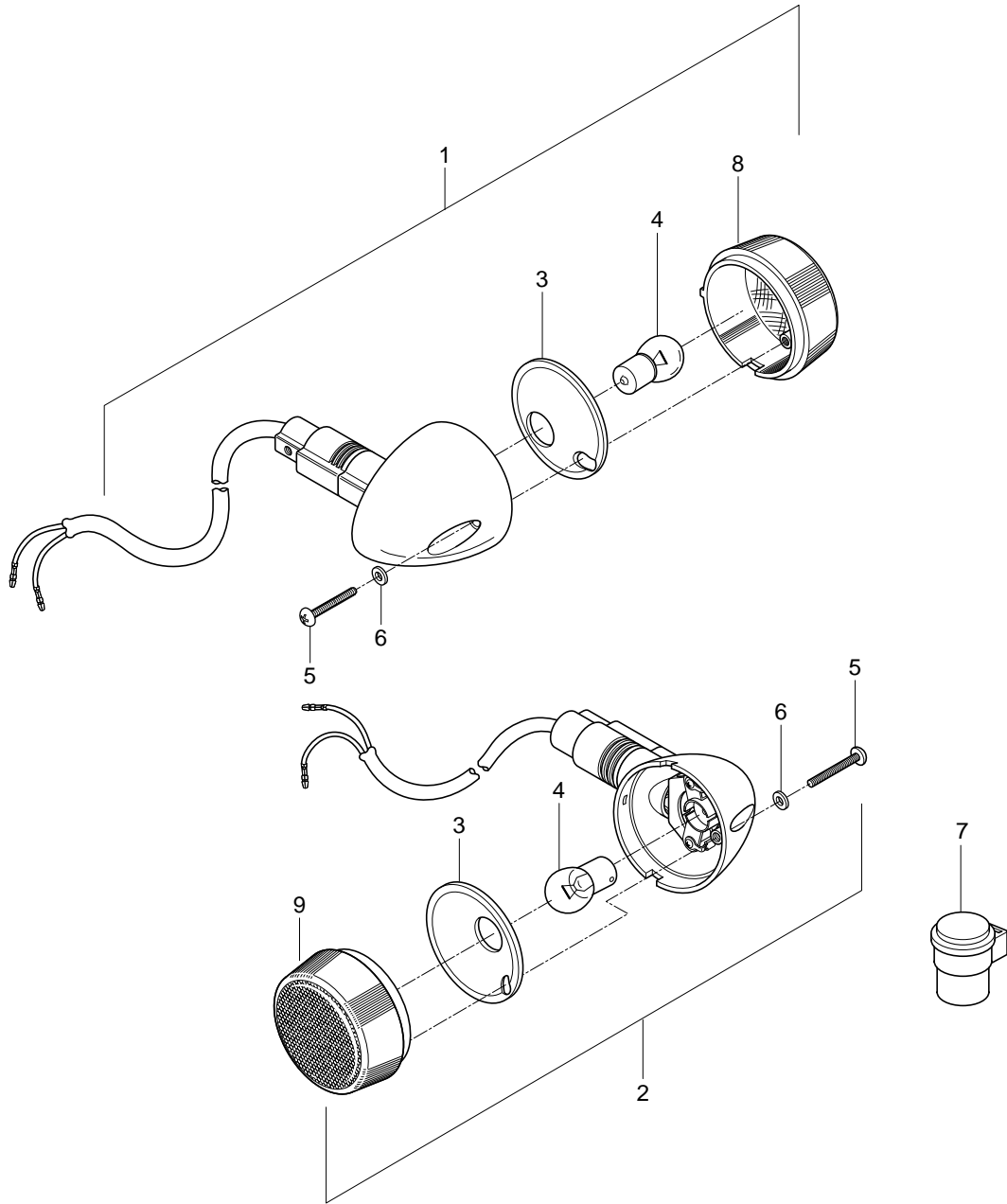


# FIG 23. FRONT TURNSIGNAL LAMP

REI PARTS NO.					PARTS NAME	Q`T REMARKS	
NO.	ST01	KEU01 / KG01	KEN01 / LAT01	LUS01			
1	35601HJ8201	35601HJ8261	35601HJ8261	35601HJ8261	LAMP, front turnsignal R	1	5
2	35602HJ8201	35602HJ8261	35602HJ8261	35602HJ8261	LAMP, front turn signal L	1	5
3	35614HJ8250	35614HJ8250	35614HJ8250	35614HJ8250	.REFLECTOR	2	
4	09471-12003	09471-12003	09471-12003	09471-12003	.BULB(12V, 10W)	2	30
5	02142-05128	02142-05128	02142-05128	02142-05128	SCREW,turnsignal lamp (M5×12)	2	
6	35609H93B00	35609H93B00	35609H93B00	35609H93B00	.VINYL WASHER	2	
7	35612HJ8250	35612HJ8250	35612HJ8250	35612HJ8250	.LENS, front turnsignal R	1	10
8	35632HJ8250	35632HJ8250	35632HJ8250	35632HJ8250	.LENS, front turn signal L	1	10



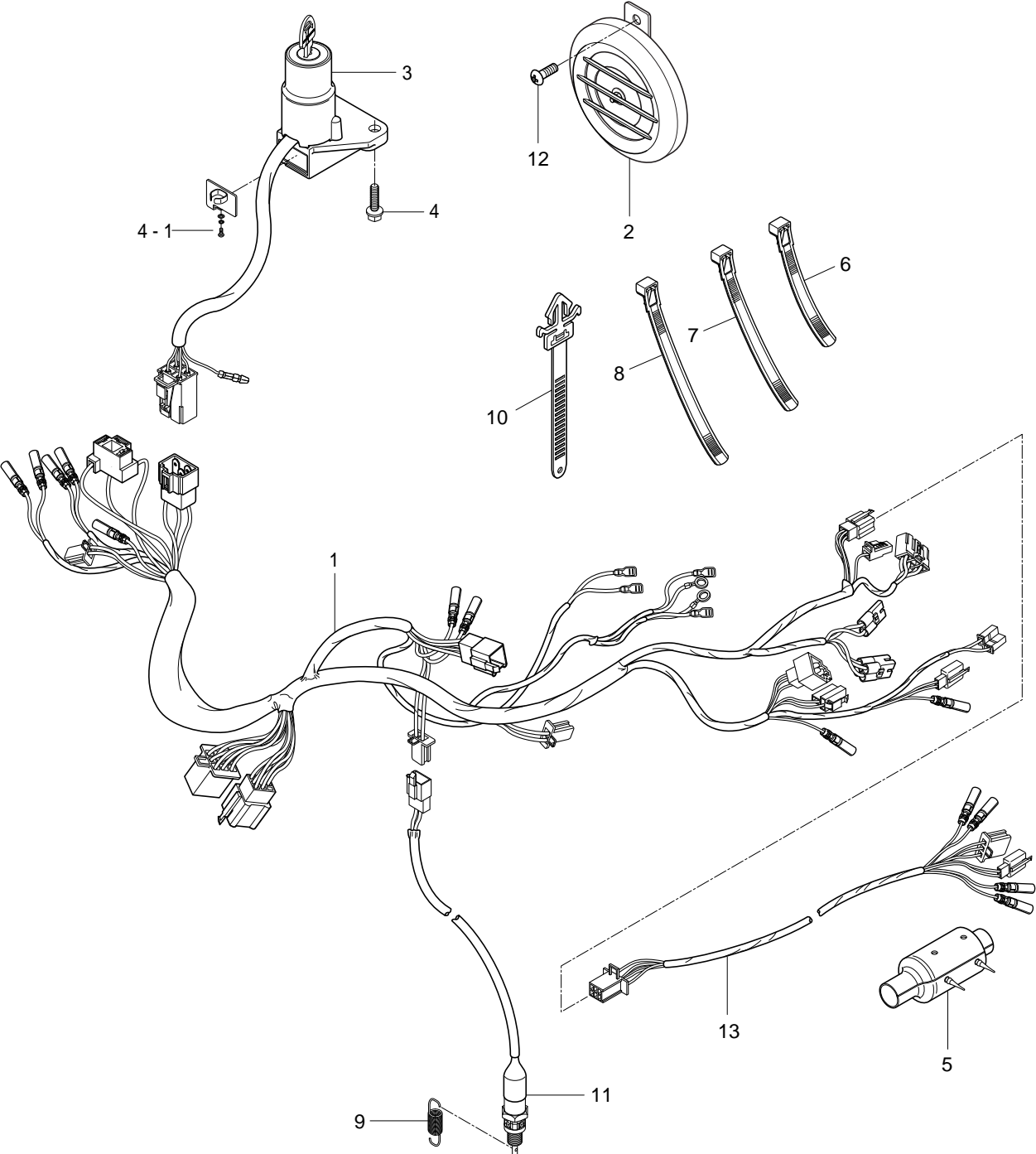
FIG.24



# FIG 24. REAR TURNSIGNAL LAMP

REI PARTS NO.					PARTS NAME	Q`T	REMARKS
NO.	ST01	KEU01 / KG01	KEN01 / LAT01	LUS01			
1	35603HJ8201	35603HJ8251	35603HJ8251	35603HJ8251	LAMP, rear turnsignal R	1	
2	35604HJ8201	35604HJ8251	35604HJ8251	35604HJ8251	LAMP, rear turnsignal L	1	
3	35614HJ8200	35614HJ8200	35614HJ8200	35614HJ8200	.REFLECTOR	2	
4	09471-12003	09471-12003	09471-12003	09471-12003	.BULB(12V, 10W)	2	
5	02142-05128	02142-05128	02142-05128	02142-05128	SCREW,turnsignal lamp (M5×12)	2	
6	35609H93B00	35609H93B00	35609H93B00	35609H93B00	.VINYL WASHER	2	
7	38610H09411	38610H09411	38610H09411	38610H09411	RELAY ASSY, turnsignal	1	
8	35632HJ8250	35632HJ8250	35632HJ8250	35632HJ8250	.LENS, rear turnsignal R	1	10
9	35612HJ8250	35612HJ8250	35612HJ8250	35612HJ8250	.LENS, rear turnsignal L	1	10

FIG.25



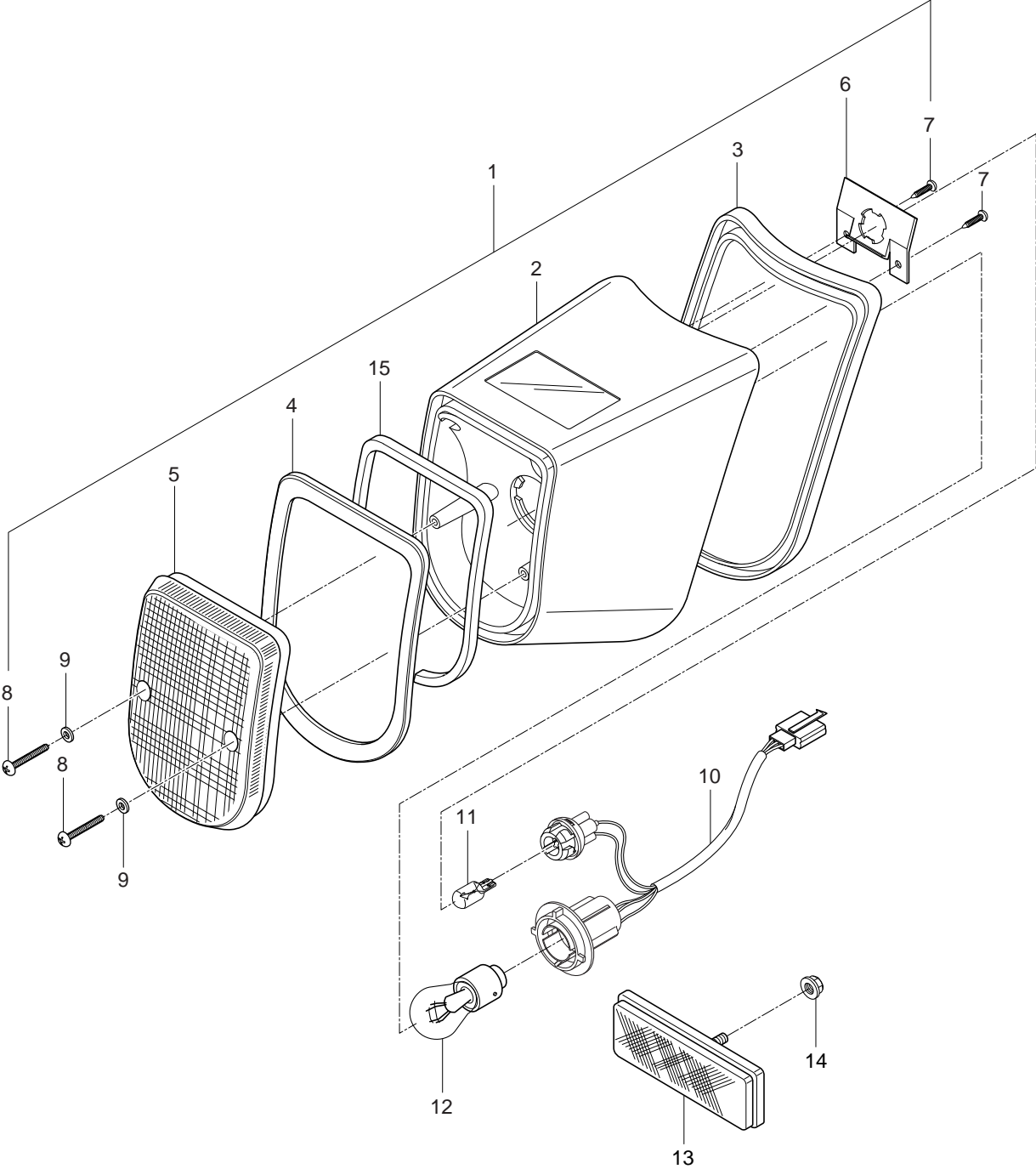
**FWD**

# FIG 25. WIRING HARNESS

REI PARTS NO.					PARTS NAME	Q`T	REMARKS
NO.	ST01	KEU01 / KG01	KEN01 / LAT01	LUS01			
1	36610HJ8203	36610HJ8254	36610HJ8254	36610HJ8272	HARNESS,wiring	1	
1~1		36610HJ8255	36610HJ8255	36610HJ8274	HARNESS,wiring	1	
1~2	36610HG5132				HARNESS,wiring	1	KM4MJ51A251106631 ~
2	38500HM8101	38500HM8101	38500HM8101	38500HM8101	HORN ASS'Y	1	
2-1	38510H93B00	38510H93B00	38510H93B00	38510H93B00	COVER,horn	1	
3	37000HG5130	37000HG5130	37000HG5130	37000HG5130	KEY SET	1	
4	01517-06168	01517-06168	01517-06168	01517-06168	BOLT, steering lock No.1(M6*16)	1	
4-1	01517-06168	09139H06016	09139H06016	01517-06168	SCREW, steering lock	1	
5	36618-30610	36618-30610	36618-30610	36618-30610	TUBE, magneto lead wire	1	
6	09407-20406	09407-20406	09407-20406	09407-20406	CLAMP, wiring harness	7	
7	09407-11401	09407-11401	09407-11401	09407-11401	CLAMP, wiring harness	2	
8	09407-22402	09407-22402	09407-22402	09407-22402	CLAMP, wiring harness	2	
9	09443H06006	09443H06006	09443H06006	09443H06006	SPRING	1	
10	09407-14408	09407-14408	09407-14408	09407-14408	CLAMP, wiring harness	2	
11	37740H93B00	37740H93B00	37740H93B00	37740H93B00	SWITCH ASS'Y, brake lamp	1	
12	02112-36128	02112-36128	02112-36128	02112-36128	SCREW, horn(M6*12)	1	
13	36670HJ8201	36670HJ8201	36670HJ8201	36670HJ8201	LEAD WIRE, rear combi	1	

FIG.26

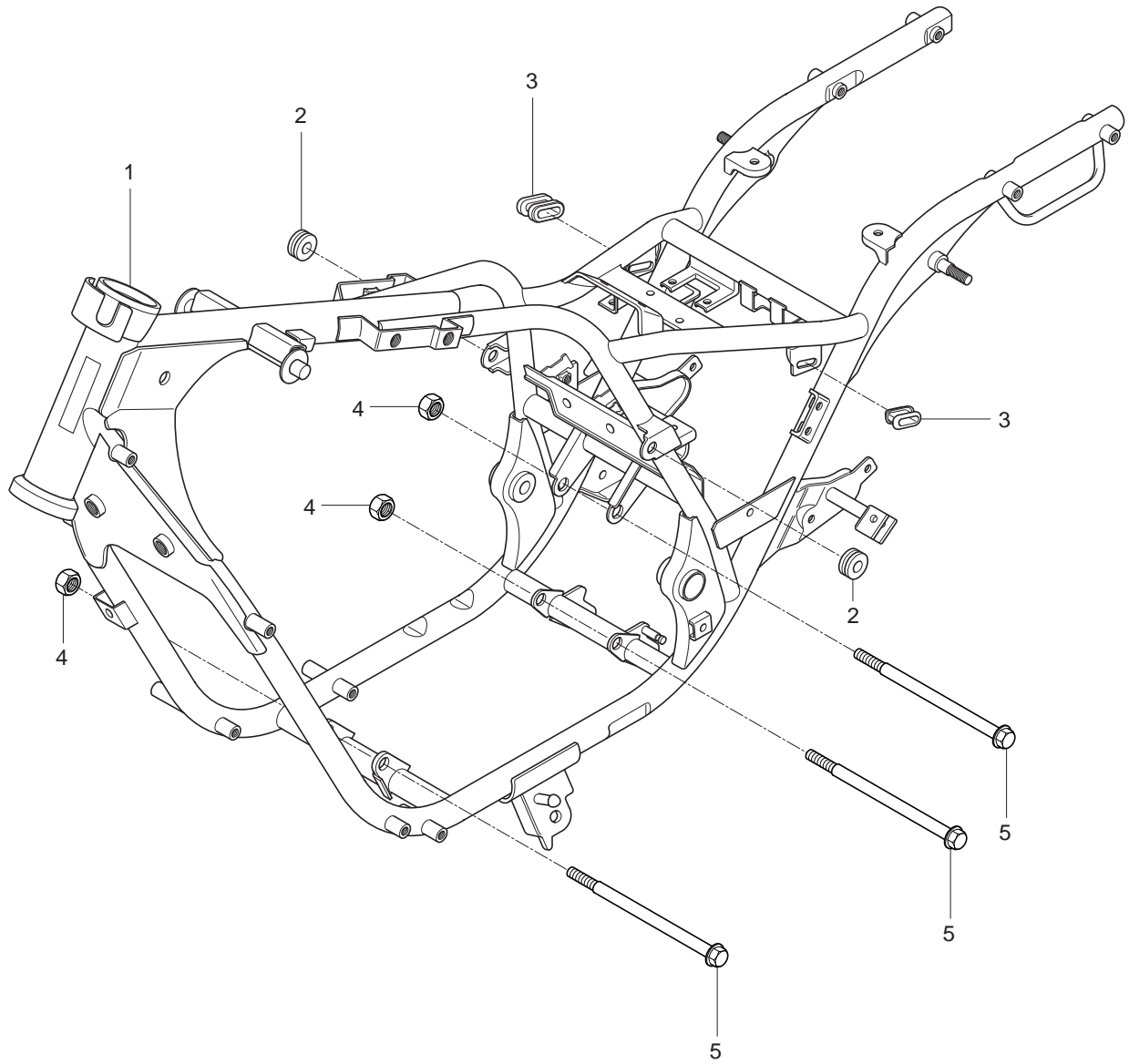
FWD



# FIG 26. REAR COMBINATION

REI PARTS NO.					PARTS NAME	Q`T	REMARKS
NO.	ST01	KEU01 / KG01	KEN01 / LAT01	LUS01			
1	35710HJ8201	35710HJ8251	35710HJ8251	35710HJ8251	LAMP ASS'Y, rear combi	1	
2	35720HJ8200	35720HJ8200	35720HJ8200	35720HJ8200	.REFLECTOR,housing	1	
3	35718HJ8200	35718HJ8200	35718HJ8200	35718HJ8200	.RUBBER,housing	1	
4	35716HJ8200	35716HJ8200	35716HJ8200	35716HJ8200	.BRACKET,reflector	1	
5	35712HJ8250	35712HJ8250	35712HJ8250	35712HJ8250	.LENS, tail & stop	1	10
6	35927HJ8200	35927HJ8200	35927HJ8200	35927HJ8200	.BRACKET,license	1	
7	03211-04126	03211-04126	03211-04126	03211-04126	.SCREW, reflector(M4*12)	2	
8	03211-04206	03211-04206	03211-04206	03211-04206	.SCREW,lens(M4*20)	2	
9	35609H93B00	35609H93B00	35609H93B00	35609H93B00	.VINYL WASHER	2	
10	35760HJ8200	35760HJ8200	35760HJ8200	35760HJ8200	.SOCKET ASS'Y	1	
11	09471-12210	09471-12210	09471-12210	09471-12210	.BULB, license lamp (12V 5W)	1	
12	09471-12046	09471-12046	09471-12046	09471-12046	.BULB,tail & stop(12V 21/5W)	1	
13	35970-24063	35970-24063	35970-24063	35970-24063	REFLEX REFLECTOR ASS'Y, rear	1	5
14	08316-26055	08316-26055	08316-26055	08316-26055	NUT, rear frflex reflector(M5)	1	
15	35722HJ8200	35722HJ8200	35722HJ8200	35722HJ8200	.SPONGE,tail & stop	1	

FIG 27

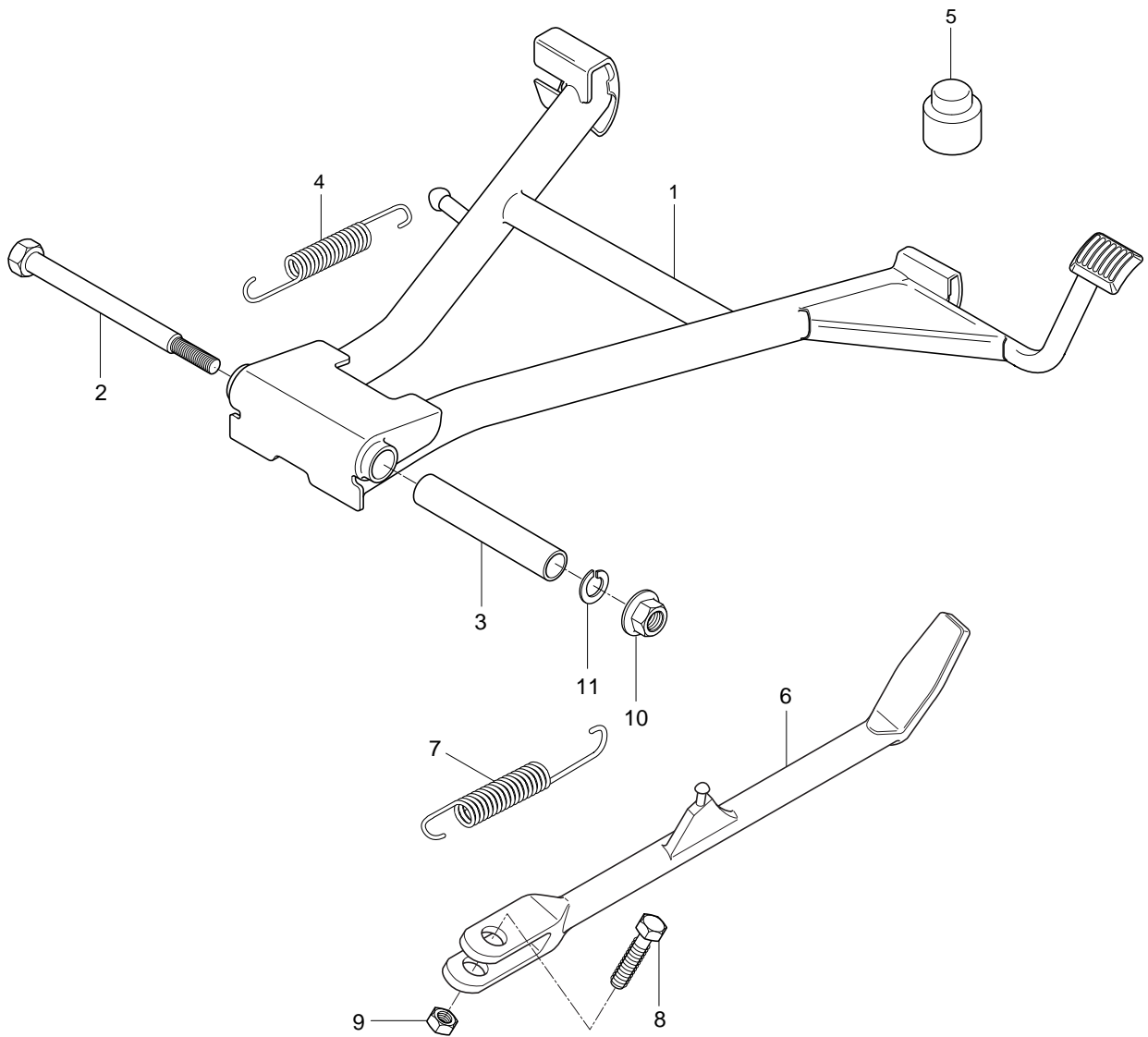


# FIG 27. FRAME

REI PARTS NO.					PARTS NAME	Q`T REMARKS	
NO.	ST01	KEU01 / KG01	KEN01 / LAT01	LUS01			
1	41100HJ8210PAM	41100HJ8210PAM	41100HJ8210PAM	41100HJ8210PAM	FRAME COMP	1	1
2	09320-08018	09320-08018	09320-08018	09320-08018	CUSHION, frame & side cover	2	
3	09320H06002	09320H06002	09320H06002	09320H06002	CUSHION, frame & side cover	2	
4	08319-31106	08319-31106	08319-31106	08319-31106	NUT, frame & engine(M10)	3	12
5	09103H10022	09103H10022	09103H10022	09103H10022	BOLT, frame & engine(L=110)	3	



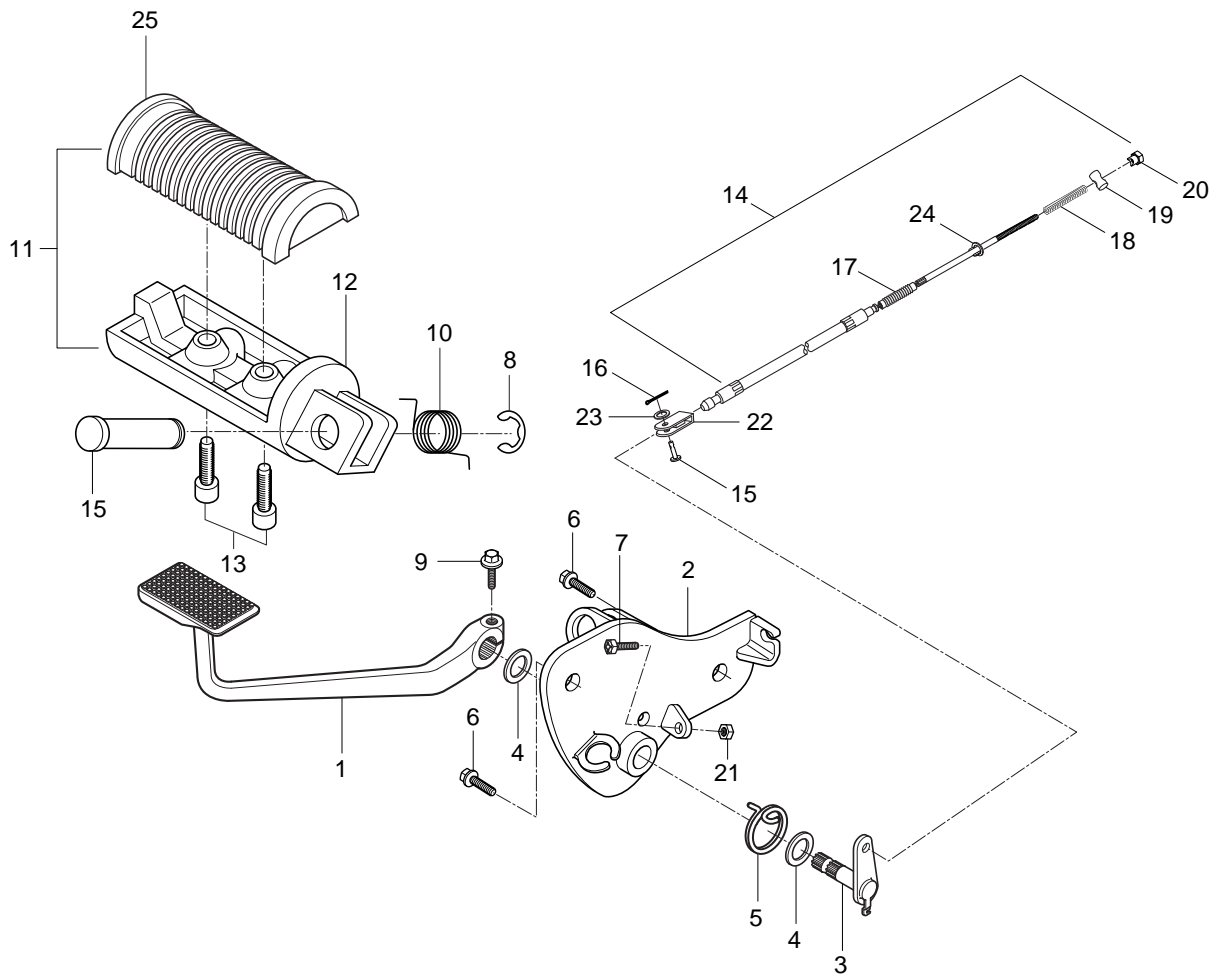
FIG.28



# FIG 28. CENTER STAND

REI PARTS NO.					PARTS NAME	Q`T REMARKS		
NO.	ST01	KEU01 / KG01	KEN01 / LAT01	LUS01				
1	42100HG5102				STAND COMP, center	1	OPTIONAL	2
2	09103H10022				BOLT, center stand(L=110)	1	OPTIONAL	
3	42191-35C00				SPACER, center stand	1	OPTIONAL	
4	09443-17015				SPRING, center stand	1	OPTIONAL	
5	09321-10001				CUSHION, muffler & center stand	1	OPTIONAL	
6	42310HJ8250PLA	42310HJ8250PLA	42310HJ8250PLA	42310HJ8250PLA	STAND COMP, prop	1		2
7	09443-15047	09443-15047	09443-15047	09443-15047	SPRING, prop stand outer	1		
7-1	09443-06001	09443-06001	09443-06001	09443-06001	SPRING, prop stand in	1		
8	09100-10031	09100-10031	09100-10031	09100-10031	BOLT, prop stand(M10*30)	1		
9	08313-11107	08313-11107	08313-11107	08313-11107	NUT, prop stand(M10)	1		
10	08316-26106				NUT, center stand(M10)	1	OPTIONAL	
11	08321-31108				LOCK WASHER, center stand	1	OPTIONAL	

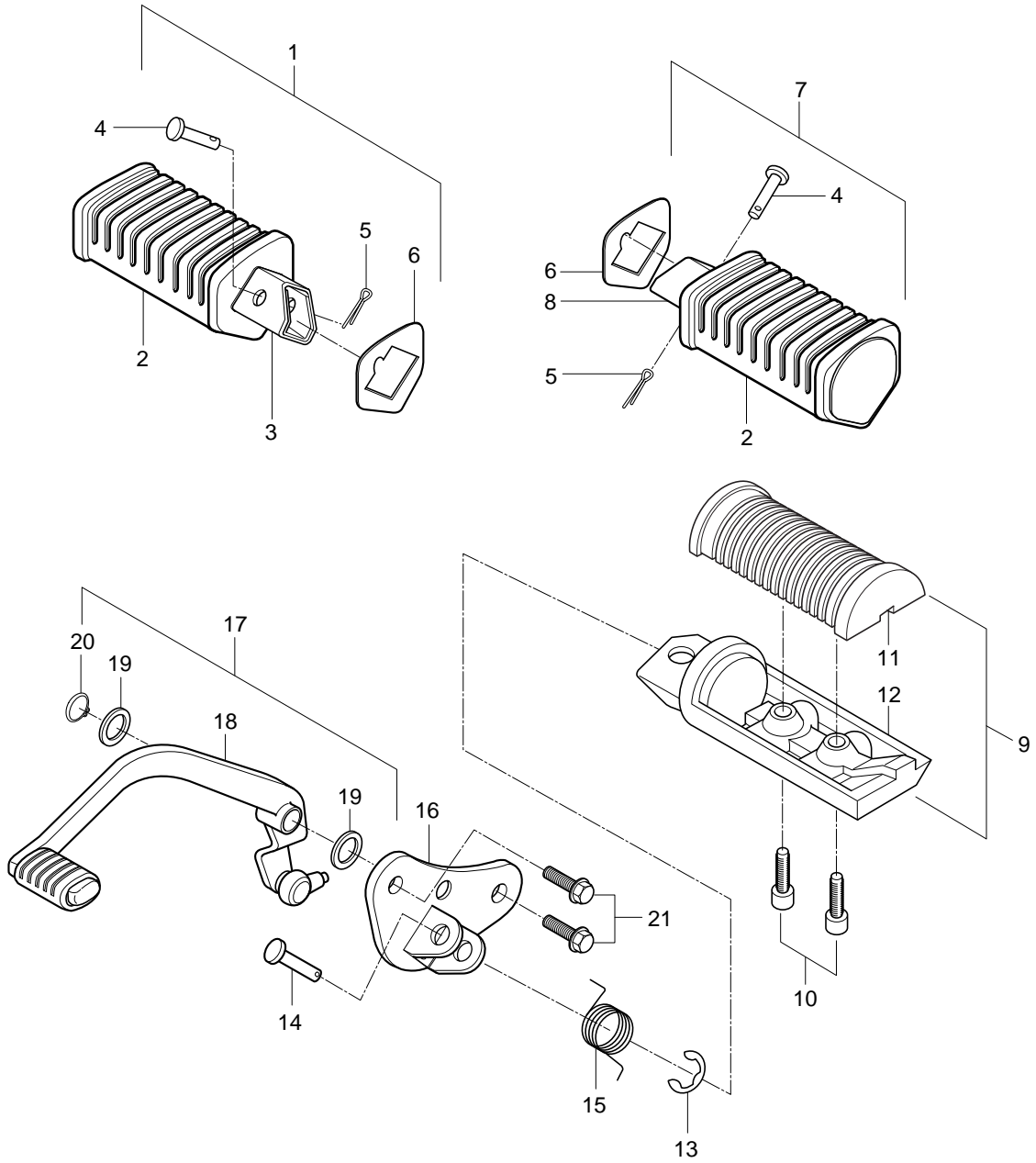
FIG.29



# FIG 29. REAR BRAKE

REI PARTS NO.					PARTS NAME	Q`T	REMARKS
NO.	ST01	KEU01 / KG01	KEN01 / LAT01	LUS01			
1	43110HD6301PLA	43110HD6301PLA	43110HD6301PLA	43110HD6301PLA	PEDAL COMP, brake	1	
2	43510HG5102PLA	43510HG5102PLA	43510HG5102PLA	43510HG5102PLA	BRACKET COMP, front footrest R	1	
3	43120H93B00	43120H93B00	43120H93B00	43120H93B00	ARM COMP, brake rod	1	
4	43212-04A00	43212-04A00	43212-04A00	43212-04A00	WASHER, brake pedal	1	
5	43213-29B00	43213-29B00	43213-29B00	43213-29B00	SPRING, brake pedal	1	
6	01527-10258	01527-10258	01527-10258	01527-10258	BOLT, front footrest bracket(M10*25)	2	
7	09128-06005	09128-06005	09128-06005	09128-06005	BOLT, brake adjuster(M6*16)	1	
8	08332-11106	08332-11106	08332-11106	08332-11106	E-RING, front footrest	1	
9	01517-06206	01517-06206	01517-06206	01517-06206	BOLT, brake pedal(M6*20)	1	
10	09448H16001	09448H16001	09448H16001	09448H16001	SPRING, front footrest bar	1	
11	43501H93B11	43501H93B11	43501H93B11	43501H93B11	FOOTREST ASS'Y, front R	1	10
12	43571H93B11	43571H93B11	43571H93B11	43571H93B11	BAR, front footrest R	1	
13	09106-06030	09106-06030	09106-06030	09106-06030	BOLT, front footrest bar(M6*12)	2	
14	58500HG5102	58500HG5102	58500HG5102	58500HG5102	CABEL ASS'Y, rear brake	1	
15	09200H12001	09200H12001	09200H12001	09200H12001	PIN, front footrest bar	1	
16	04111-20208	04111-20208	04111-20208	04111-20208	COTTER PIN, rear brake cable	1	
17	58515H93B00	58515H93B00	58515H93B00	58515H93B00	DUST SEAL-2, rear brake cable	1	
18	09440-090A4	09440-090A4	09440-090A4	09440-090A4	SPRING, rear brake adjuster	1	
19	09209H11006	09209H11006	09209H11006	09209H11006	PIN, rear braker cable rod lever	1	
20	09150-06001	09150-06001	09150-06001	09150-06001	NUT, rear brake cable adjuster	1	
21	08310-11066	08310-11066	08310-11066	08310-11066	NUT, brake pedal adjuster	1	
22	43533-35C00	43533-35C00	43533-35C00	43533-35C00	HOLDER, rear brake cable	1	NOT SALE
23	08322-21068	08322-21068	08322-21068	08322-21068	WASHER, rear brake cable holder	1	
24	08332-21068	08332-21068	08332-21068	08332-21068	WASHER, rear brake cable	1	
25	43550H93B00	43550H93B00	43550H93B00	43550H93B00	RUBBER COMP, front footrest	1	
26	09200-06013	09200-06013	09200-06013	09200-06013	PIN, rear braker cable	1	

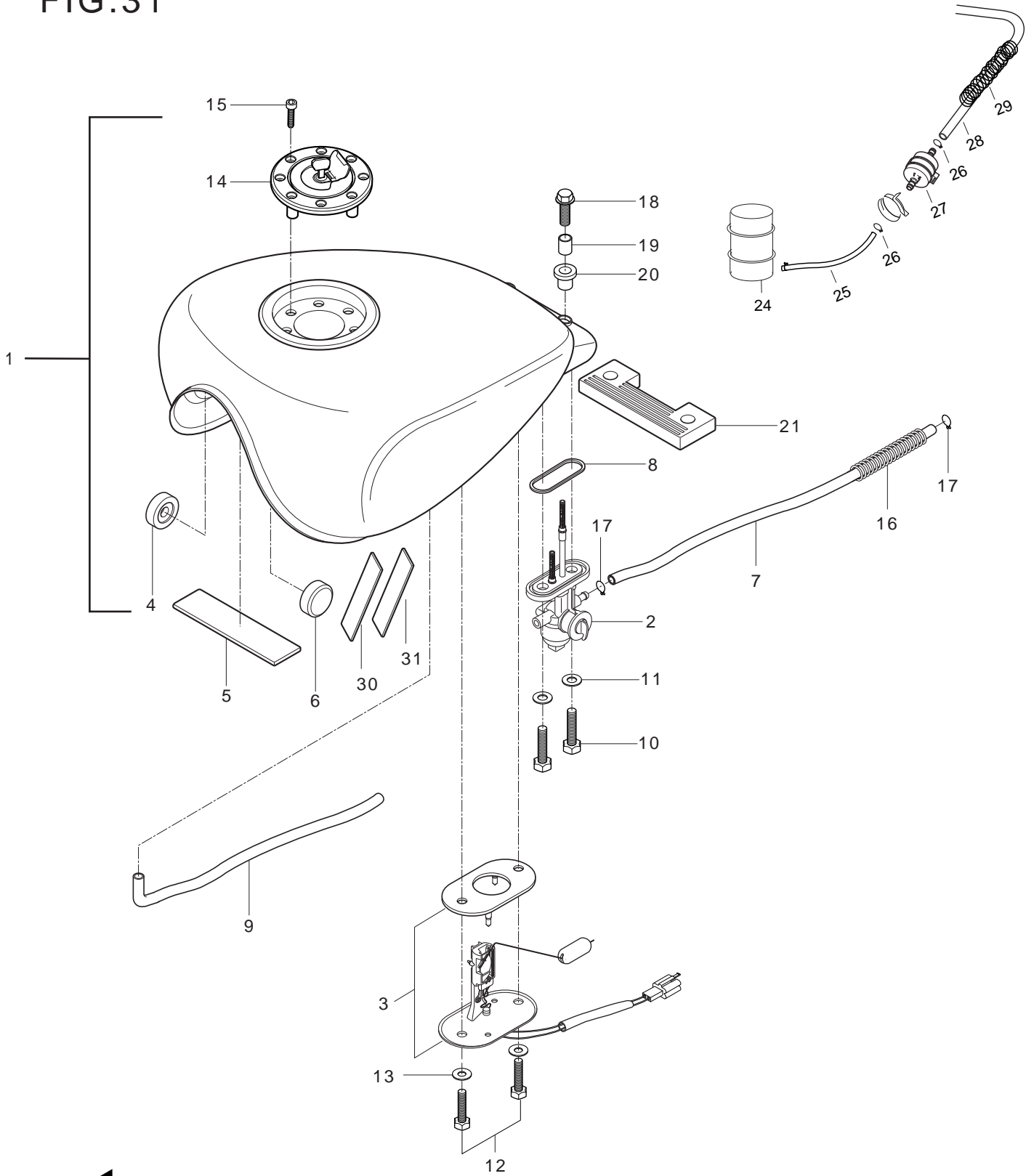
FIG.30



# FIG 30. FOOTREST

REI PARTS NO.					PARTS NAME	Q`T	REMARKS
NO.	ST01	KEU01 / KG01	KEN01 / LAT01	LUS01			
1	43600H93B00	43600H93B00	43600H93B00	43600H93B00	FOOTREST ASSY, pillion R	1	10
2	43612-05351	43612-05351	43612-05351	43612-05351	.RUBBER, pillion footrest	2	
3	43610-05350	43610-05350	43610-05350	43610-05350	.BAR COMP, pillion footrest R	1	
4	09200-06010	09200-06010	09200-06010	09200-06010	.PIN,pillion footrest	2	
5	04111-20208	04111-20208	04111-20208	04111-20208	.COTTER PIN, pillion footrest	2	
6	43631-05350	43631-05350	43631-05350	43631-05350	.WASHER, pillion footrest rubber	2	
7	43700H93B00	43700H93B00	43700H93B00	43700H93B00	FOOTREST ASSY, pillion L	1	15
8	43620-05350	43620-05350	43620-05350	43620-05350	.BAR COMP, pillion footrest L	1	
9	43502H93B11	43502H93B11	43502H93B11	43502H93B11	FOOTREST ASSY, front L	1	15
10	09106-06030	09106-06030	09106-06030	09106-06030	.BOLT, front foortest bar(M6×12)	2	
11	43550H93B00	43550H93B00	43550H93B00	43550H93B00	.RUBBER COMP, front footrest	1	
12	43581H93B11	43581H93B11	43581H93B11	43581H93B11	.BAR, front footrest L	1	
13	08332-11106	08332-11106	08332-11106	08332-11106	E-RING, front foortest	1	
14	09200H12001	09200H12001	09200H12001	09200H12001	PIN, front foortest bar	1	
15	09448H16001	09448H16001	09448H16001	09448H16001	SPRING, front foortest bar	1	
16	43560HG5101PLA	43560HG5101PLA	43560HG5101PLA	43560HG5101PLA	BRACKET, front foortest L	1	
17	25609HG5101	25609HG5101	25609HG5101	25609HG5101	LEVER ASSY, gear shift cam	1	
18	25610HG5101	25610HG5101	25610HG5101	25610HG5101	LEVER COMP, gear shift cam	1	
19	09160-12011	09160-12011	09160-12011	09160-12011	WASHER, gear shift lever	2	
20	08331-31128	08331-31128	08331-31128	08331-31128	CIRCLIP, gear shift lever	1	
21	01527-10258	01527-10258	01527-10258	01527-10258	BOLT, front fooftest bracket(M10*25)	2	

FIG.31



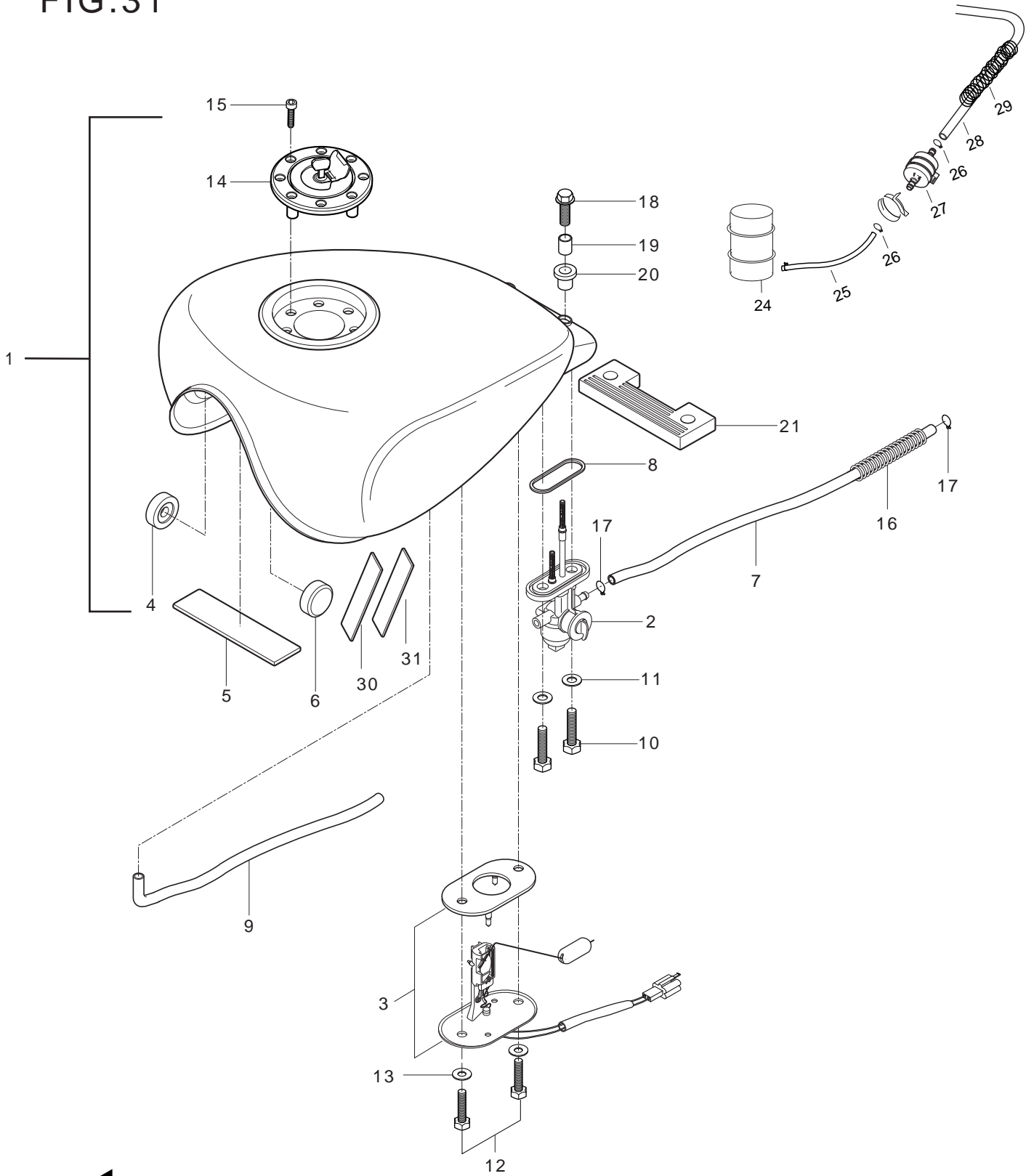
FWD

# FIG 31. FUEL TANK

REI PARTS NO.					PARTS NAME	Q`T	REMARKS
NO.	ST01	KEU01 / KG01	KEN01 / LAT01	LUS01			
1	44110HG5103	44110HG5103	44110HG5103	44110HG5103	TANK COMP, fuel (CMS,CPM,CRS,CWW,C	1	SELECTION
2	44300HG5103	44300HG5103	44300HG5103	44300HG5103	COCK ASS'Y, fuel	1	~ KM4MJ51A741206544
2~1	44300HN9100	44300HN9100	44300HN9100	44300HN9100	COCK ASS'Y, fuel	1	KM4MJ51A741206545 ~
3	34810HG5100	34810HG5100	34810HG5100	34810HG5100	GAUGE ASS'Y, fuel sender	1	
4	09329-10007	09329-10007	09329-10007	09329-10007	CUSHION, fuel tank inner front R	1	
5	44213HG5100	44213HG5100	44213HG5100	44213HG5100	CUSHION, fuel & tank inner body	1	
6	09329-10007	09329-10007	09329-10007	09329-10007	CUSHION, fuel tank inner front	1	
7	44199HJ8200	44199HJ8200	44199HJ8200	44199HJ8200	HOSE, fuel (L=170)	1	~KM4MJ51A041206549
7~1	44199HJ8230	44199HJ8230	44199HJ8230	44199HJ8230	HOSE, fuel (L=170)	1	KM4MJ51A041206550 ~
8	44348-28070	44348-28070	44348-28070	44348-28070	.O-RING	1	
9	09352H70103650	09352H70103650	09352H70103650	09352H70103650	HOSE, fuel tank drain (L=650)	1	
10	09128-06035	09128-06035	09128-06035	09128-06035	BOLT, fuel cock(M6*20)	2	
11	09168-06010	09168-06010	09168-06010	09168-06010	GASKET, fuel cock	2	
12	09128-06035	09128-06035	09128-06035	09128-06035	BOLT, fuel sender (M6*20)	2	
13	09168-06010	09168-06010	09168-06010	09168-06010	GASKET, fuel sender	2	
14	44200H35C10	44200H35C10	44200H35C10	44200H35C10	.CAP ASS'Y, fuel tank filler	1	
15	09106-05017	09106-05017	09106-05017	09106-05017	BOLT, fuel tank filler	8	
16	09440H10024	09440H10024	09440H10024	09440H10024	SPRING, outlet No.2 hose	1	
17	09401-08401	09401-08401	09401-08401	09401-08401	CLIP, fuel hose	2	
18	09116H06084	09116H06084	09116H06084	09116H06084	BOLT, fuel tank rear cushion (M6*25)	2	
19	09180H06003	09180H06003	09180H06003	09180H06003	SPACER, fuel tank rear cushion	2	
20	09320-10022	09320-10022	09320-10022	09320-10022	CUSHION, fuel tank rear No.2	2	
21	44542-38300	44542-38300	44542-38300	44542-38300	CUSHION, fuel tank rear No.1	1	



FIG.31

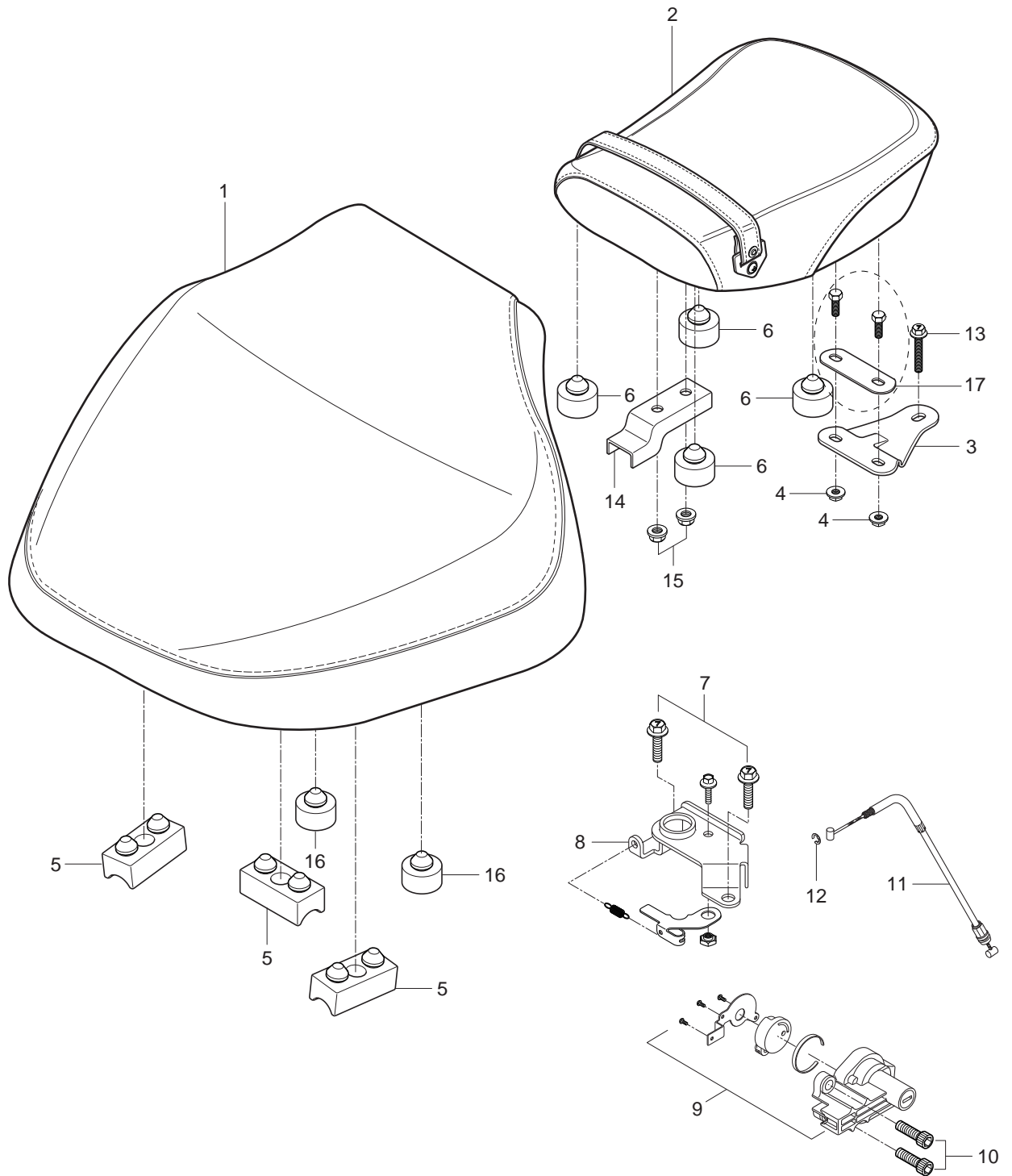


FWD

# FIG 31. FUEL TANK

REIPARTS NO.					PARTS NAME	Q`TY	REMARKS
NO.	ST01	KEU01 / KG01	KEN01 / LAT01	LUS01			
22	68110HJ82000ND	68110HJ82000ND	68110HJ82000ND	68110HJ82700ND	TAPE,fuel tank(WW)	2	
22-1	68110HJ82000NE	68110HJ82000NE	68110HJ82000NE	68110HJ82700NE	TAPE,fuel tank(PM)	2	
22-2		68110HJ82000OH	68110HJ82000OH		TAPE,fuel tank(MS)		NOT KEN01
23	68100HG51000CR	68100HG5150CR	68100HG5150CR		EMBLEM,fuel tank	2	
24	15100HJ8200HPA	15100HJ8200HPA	15100HJ8200HPA	15100HJ8200HPA	PUMP ASS'Y,fuel	1	~ KM4MJ51A041206549
24~1	15100HG5100	15100HG5100	15100HG5100	15100HG5100	PUMP ASS'Y,fuel	1	KM4MJ51A041206550 ~
25	15821HG2601	15821HG2601	15821HG2601	15821HG2601	HOSE,fuel pump No.1	1	NOT SALE
25~1	15821HJ8230	15821HJ8230	15821HJ8230	15821HJ8230	HOSE,fuel pump No.1	1	
26	09401-10401	09401-10401	09401-10401	09401-10401	CLIP,fuel hose	4	
27	44910HG2600	44910HG2600	44910HG2600	44910HG2600	STRAINER COMP,fuel	1	
28	44197HJ8200	44197HJ8200	44197HJ8200	44197HJ8200	HOSE,fuel inlet NO.2	1	~KM4MJ51A041206549
28~1	44197HJ8230	44197HJ8230	44197HJ8230	44197HJ8230	HOSE,fuel inlet NO.2	1	KM4MJ51A041206550 ~
29	09440H10024	09440H10024	09440H10024	09440H10024	SPRING ,fuel pump hose	1	
30	44214HG5100	44214HG5100	44214HG5100	44214HG5100	CUSHION,fuel tank inlet NO.1	1	
31	44215HG5100	44215HG5100	44215HG5100	44215HG5100	CUSHION,fuel tank inlet NO.2	1	

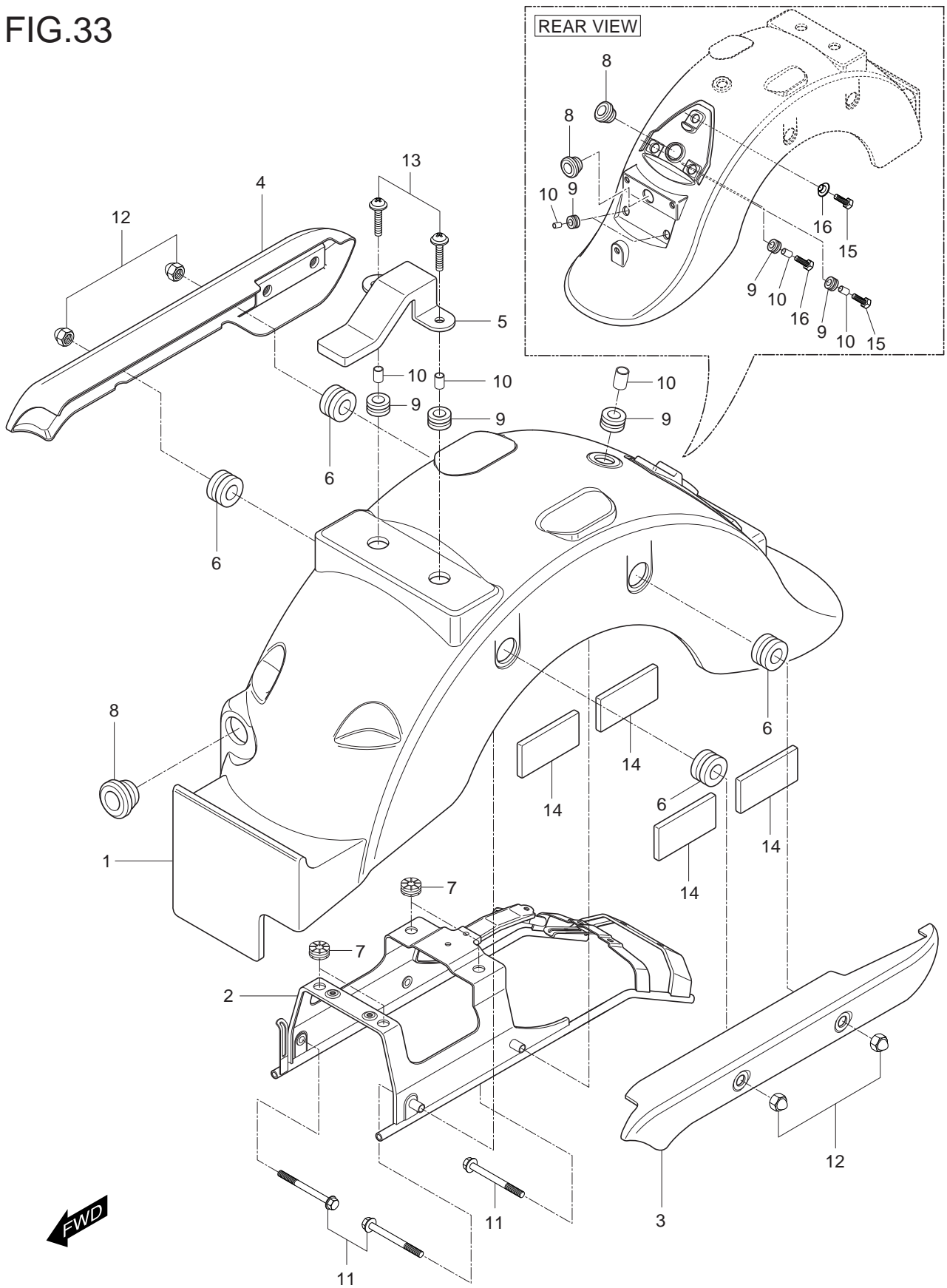
FIG.32



# FIG 32. SEAT

REI PARTS NO.					PARTS NAME	Q`TY	REMARKS
NO.	ST01	KEU01 / KG01	KEN01 / LAT01	LUS01			
1	45110HG5102	45110HG5102	45110HG5102	45110HG5102	SEAT SET, front	1	
2	45200HJ8202	45200HJ8202	45200HJ8202	45200HJ8270	SEAT SET, rear	1	
3	45291HJ8201	45291HJ8201	45291HJ8201	45291HJ8201	.BRACKET, seat rear	1	
4	08316-26066	08316-26066	08316-26066	08316-26066	.NUT, seat rear bracket(M6)	2	
5	09321H08007	09321H08007	09321H08007	09321H08007	.CUSHION	3	
6	45192HG5100	45192HG5100	45192HG5100	45192HG5100	.CUSHION	4	
7	01517-06166	01517-06166	01517-06166	01517-06166	BOLT, seat striker(M6*16)	2	
8	45220H93B00	45220H93B00	45220H93B00	45220H93B00	LOCK ASS'Y, seat striker	1	
9	95700H93B10	95700H93B10	95700H93B10	95700H93B10	.LOCK ASS'Y, seat helmet	1	
10	09106-06030	09106-06030	09106-06030	09106-06030	BOLT, seat lock (M6*10)	2	
11	45280HG5100	45280HG5100	45280HG5100	45280HG5100	CABEL COMP, seat lock	1	
12	08332-11056	08332-11056	08332-11056	08332-11056	E-RING, seat lock cable	1	
13	01517-06256	01517-06256	01517-06256	01517-06256	BOLT, rear seat bracket & tail cover (M6*25)	1	
14	45233HG5100	45233HG5100	45233HG5100	45233HG5100	.BRACKET, seat rear hook	1	
15	08316-26066	08316-26066	08316-26066	08316-26066	NUT, seat rear hook (M6)	2	
16	09321-100B2	09321-100B2	09321-100B2	09321-100B2	.CUSHION	2	
17	45231HG5100	45231HG5100	45231HG5100	45231HG5100	.REINF,rear seat support	1	

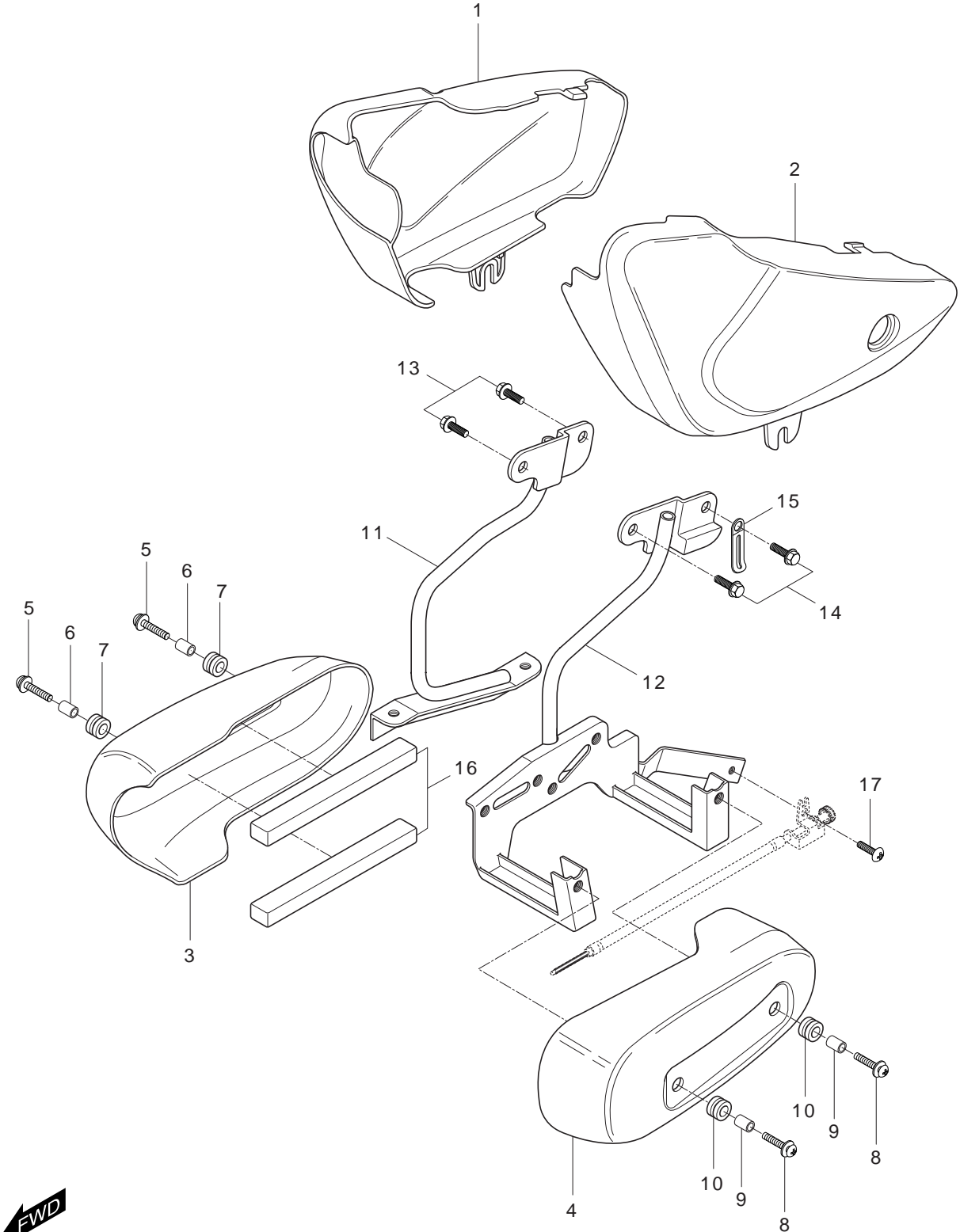
FIG.33



# FIG 33. TAIL COVER

REI PARTS NO.					PARTS NAME	Q`T	REMARKS
NO.	ST01	KEU01 / KG01	KEN01 / LAT01	LUS01			
1	45511HJ8201	45511HJ8201	45511HJ8201	45511HJ8201	COVER,seat tail (CMB,CMS,CRS,CPM,CW)	1	SELECTION
2	45520HJ8201	45520HJ8201	45520HJ8201	45520HJ8201	BRACE COMP, seat tail cover	1	
3	46230HG5100PLA	46230HG5100PLA	46230HG5100PLA	46230HG5100PLA	PLATE COMP, pillion rider L	1	
4	46220HG5100PLA	46220HG5100PLA	46220HG5100PLA	46220HG5100PLA	PLATE COMP, pillion rider R	1	
5	45232HG5100	45232HG5100	45232HG5100	45232HG5100	BRACKET, seat tail & seat	1	
6	09320-11008	09320-11008	09320-11008	09320-11008	CUSHION, seat tail cover side	4	
7	94434H29E00	94434H29E00	94434H29E00	94434H29E00	CUSHION, seat tail cover brace	4	
8	09320H12060	09320H12060	09320H12060	09320H12060	GROMMET, seat tail cover	3	
9	09320-09016	09320-09016	09320-09016	09320-09016	CUSHION, seat tail cover upper	7	
10	09180-06114	09180-06114	09180-06114	09180-06114	SPACER, seat tail cover upper	7	
11	01517-08606	01517-08606	01517-08606	01517-08606	BOLT, pillon rider plate(M8*60)	4	
12	08313-11087	08313-11087	08313-11087	08313-11087	NUT, pillion rider plate(M8)	4	
13	09136H06114	09136H06114	09136H06114	09136H06114	SCREW, seat tail cover upper(M6*25)	4	
14	33652-29100	33652-29100	33652-29100	33652-29100	CUSHION, tail cover	4	
15	01517-06256	01517-06256	01517-06256	01517-06256	BOLT,seat tail rear cover (M6*25)	3	
16	09169-06032	09169-06032	09169-06032	09169-06032	WASHER,tail rear cover upper	1	

FIG.34

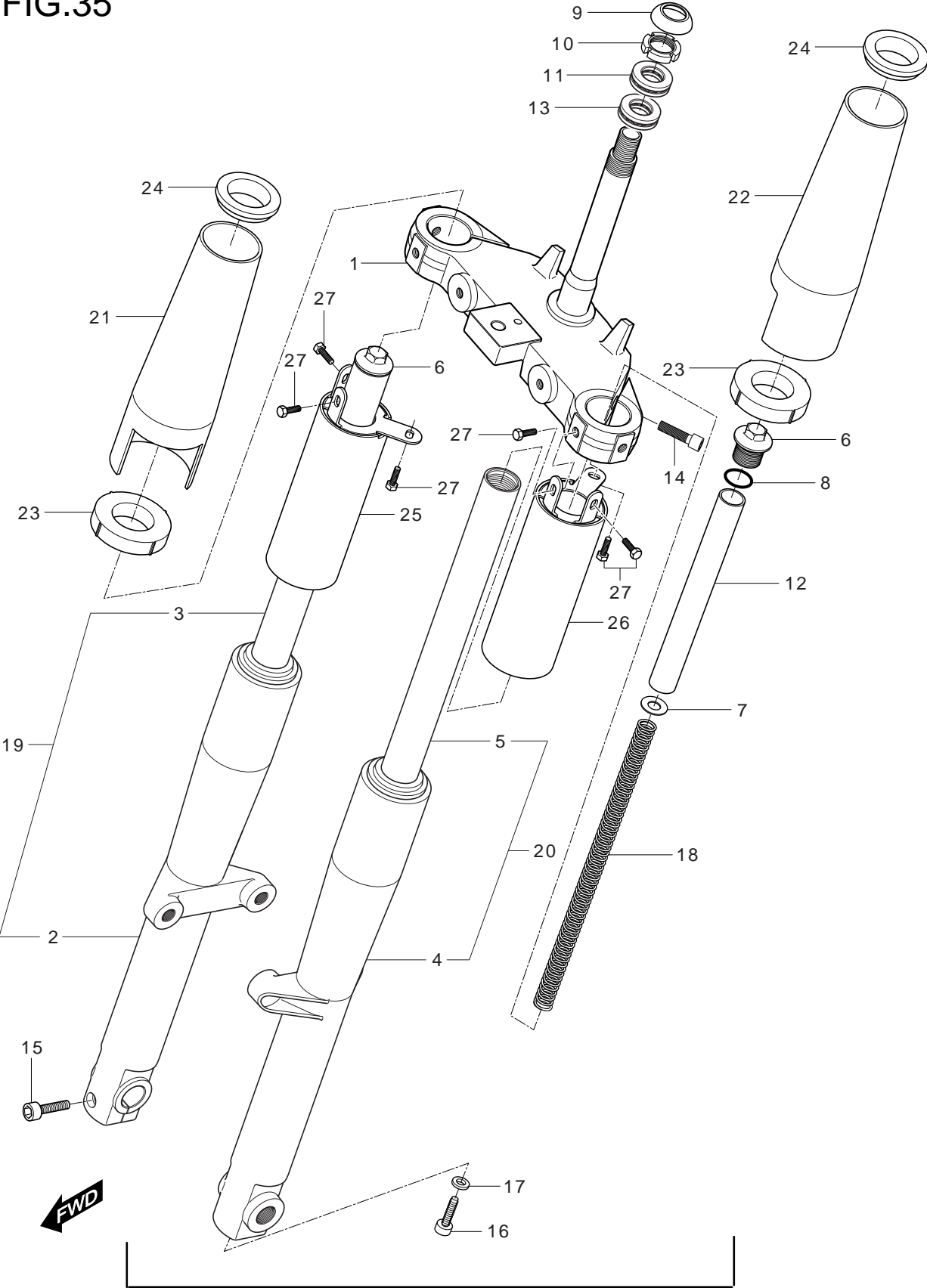


# FIG 34. SIDE COVER

REI PARTS NO.					PARTS NAME	Q`T	REMARKS
NO.	ST01	KEU01 / KG01	KEN01 / LAT01	LUS01			
1	47111HG5150	47111HG5150	47111HG5150	47111HG5150	COVER, side R (OBS,0MB,0PR,0SS,0WB)	1	SELECTION
2	47211HG5150	47211HG5150	47211HG5150	47211HG5150	COVER, side L (OBS,0MB,0PR,0SS,0WB)	1	SELECTION
3	47411HJ8270	47411HJ8270	47411HJ8270	47411HJ8270	COVER, air cleaner element RH	1	
4	47421HJ8270	47421HJ8270	47421HJ8270	47421HJ8270	DECO, fuel tank lower & bracket LH	1	
5	09136-06022	09136-06022	09136-06022	09136-06022	SCREW, air cleaner element cover RH(M6*2)	2	
6	09180-06084	09180-06084	09180-06084	09180-06084	SPACER, air cleaner element cover RH	2	
7	09320-09016	09320-09016	09320-09016	09320-09016	CUSHION, air cleaner element cover RH	2	
8	09136-06022	09136-06022	09136-06022	09136-06022	SCREW, tank low deco LH & bracket(M6*2)	2	
9	09180-06084	09180-06084	09180-06084	09180-06084	SPACER, fuel tank low deco LH	2	
10	09320-09016	09320-09016	09320-09016	09320-09016	CUSHION, fuel tank low deco LH	2	
11	47450HG510503P	47450HG5105	47450HG5105	47450HG510503P	BRACKET COMP, air cleaner elem cover RF	1	
11~1		47450HG510503P(KEU01)47450HG510503P(KEU01)			BRACKET COMP, air cleaner elem cover RF	1	
12	47460HG5108	47460HG5108	47460HG5108	47460HG5108	BRACKET COMP, air lower deco LH & fran	1	
12~1	47460HG510803P	47460HG510803P	47460HG510803P(LATO1)	47460HG510803P	BRACKET COMP, air lower deco LH & fran	1	
13	01517-08166	01517-08166	01517-08166	01517-08166	BOLT, air cleaner element cover bracket(M8*	2	
14	01517-08166	01517-08166	01517-08166	01517-08166	BOLT, tank lower deco bracket(M8*16)	2	
15	09404-08403	09404-08403	09404-08403	09404-08403	CLAMP, deco bracket & ignitoin coil	1	
16	47412HG5100	47412HG5100	47412HG5100	47412HG5100	.CUSHION, A/C element cover	2	
17	02142-05125	02142-05125	02142-05125	02142-05125	.SCREW,adjuster cable bracket (M5*12)	1	
18	68170HG5150	68170HG5150	68170HG5150		TAPE,air cleaner cover	2	
				35970-24D63	REFLEX REFTOR	2	
19	68130HG51000CR	68130HG51000CR	68130HG51000CR	68130HG51000CR	EMBLEM,side cover	2	



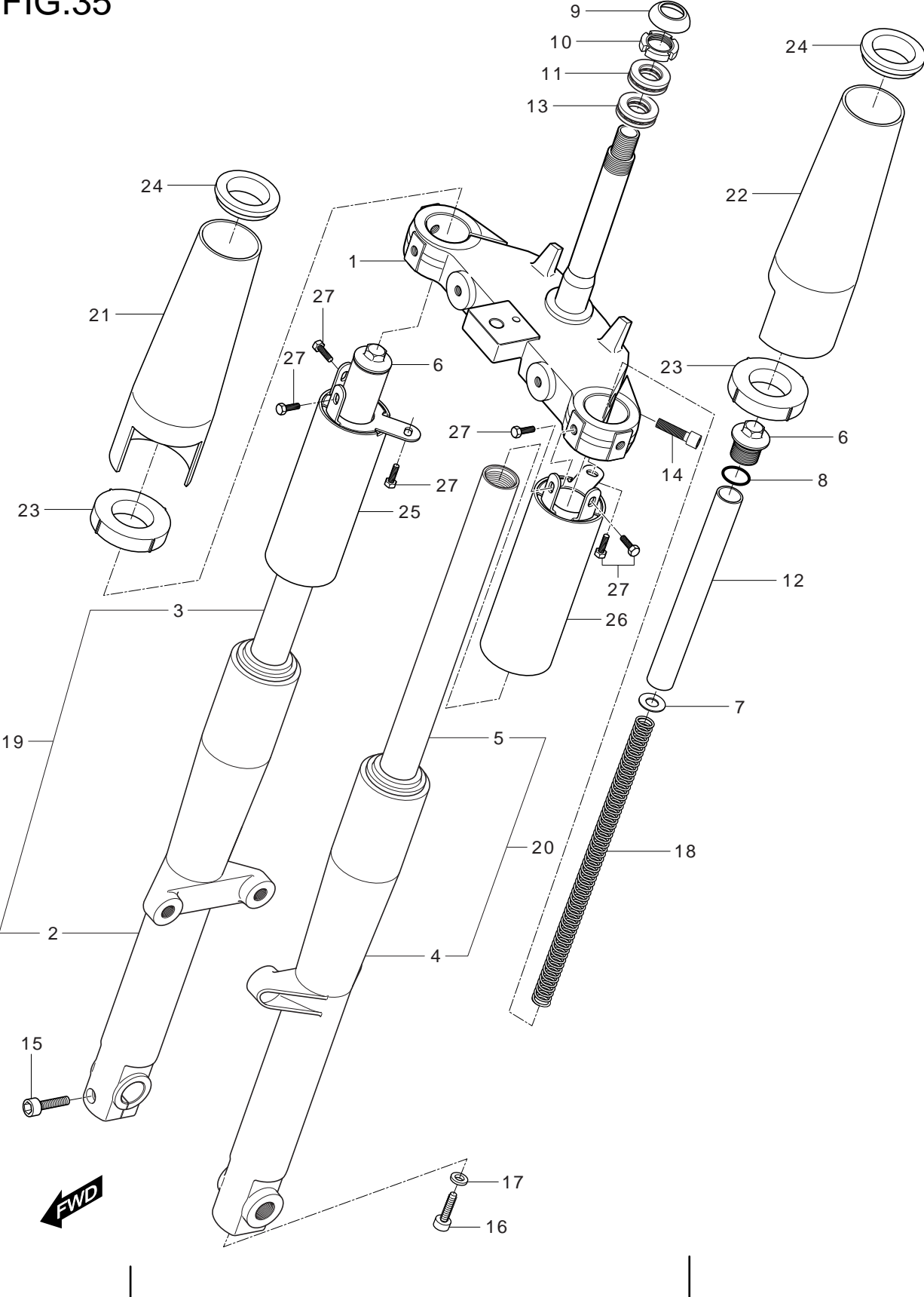
FIG.35



# FIG 35. FRONT FORK

REI PARTS NO.					PARTS NAME	Q`T	REMARKS
NO.	ST01	KEU01 / KG01	KEN01 / LAT01	LUS01			
0	51100HJ8201HPA	51100HJ8201HPA	51100HJ8201HPA	51100HJ8201HPA	FORK ASS'Y,front	1	
1	51410HJ8203	51410HJ8203	51410HJ8203	51410HJ8203	BRACKET COMP, under	1	3
2	51420HJ8200	51420HJ8200	51420HJ8200	51420HJ8200	.CASE, bottom R	1	
3	51415HG5100	51415HG5100	51415HG5100	51415HG5100	.FORK PIPE, R	1	
4	51520HJ8200	51520HJ8200	51520HJ8200	51520HJ8200	.CASE, bottom L	1	
5	51415HG5100	51415HG5100	51415HG5100	51415HG5100	.FORK PIPE, L	1	
6	51351HG5100	51351HG5100	51351HG5100	51351HG5100	BOLT, front fork upper	2	
7	51402HG5100	51402HG5100	51402HG5100	51402HG5100	.GUIDE,spring	2	NOT SALE
8	91356HG5100	91356HG5100	91356HG5100	91356HG5100	.O-RING	2	
9	51643HG5801	51643HG5801	51643HG5801	51643HG5801	DUST SEAL, steering upper	1	
10	51631-28000	51631-28000	51631-28000	51631-28000	NUT, steering stem	1	
11	09265H28001	09265H28001	09265H28001	09265H28001	BEARING, steering upper(28*52*16)	1	
12	51610HG5100	51610HG5100	51610HG5100	51610HG5100	.SPACER, front fork inner	2	NOT SALE
13	09265H28001	09265H28001	09265H28001	09265H28001	BEARING, steering lower(28*52*16)	1	
14	07110-08258	07110-08258	07110-08258	07110-08258	BOLT, bracket comp(M8*25)	2	
15	07110-08358	07110-08358	07110-08358	07110-08358	BOLT, front fork clamp R (M8*25)	1	
16	07110-08256	07110-08256	07110-08256	07110-08256	BOLT, fork clip (M8*25)	1	
17	90544H93B00	90544H93B00	90544H93B00	90544H93B00	.WASHER,spacer	2	
18	51410HG5100	51410HG5100	51410HG5100	51410HG5100	.SPRING, cushion	2	NOT SALE
19	51210HJ8200	51210HJ8200	51210HJ8200	51210HJ8200	DAMPER ASS'Y, R	1	5
20	51220HJ8200	51220HJ8200	51220HJ8200	51220HJ8200	DAMPER ASS'Y, L	1	5
21	51881HJ8200	51881HJ8200	51881HJ8200	51881HJ8200	COVER,front fork upper,R	1	
22	51881HJ8200	51881HJ8200	51881HJ8200	51881HJ8200	COVER,front fork upper,L	1	
23	51886HJ8200	51886HJ8200	51886HJ8200	51886HJ8200	CUSHION,front fork cover No.2	2	
24	51885HJ8200	51885HJ8200	51885HJ8200	51885HJ8200	CUSHION,front fork cover No.1	2	
25	51882HJ8200	51882HJ8200	51882HJ8200	51882HJ8200	COVER COMP,front fork lower RH	1	
26	51883HJ8200	51883HJ8200	51883HJ8200	51883HJ8200	COVER COMP,front fork lower LH	1	

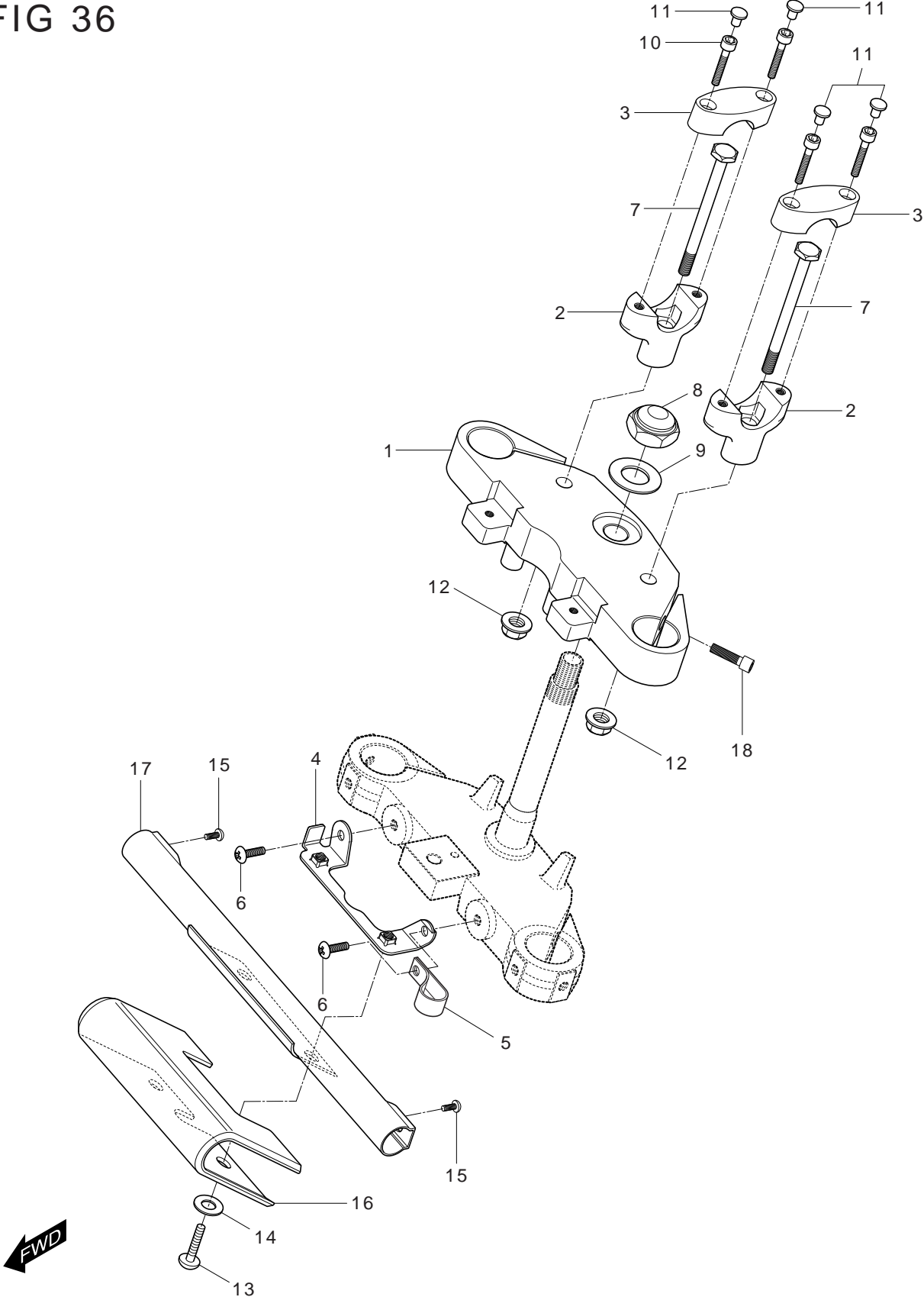
FIG.35



# FIG 35. FRONT FORK

REI PARTS NO.					PARTS NAME	Q`T REMARKS
NO.	ST01	KEU01 / KG01	KEN01 / LAT01	LUS01		
27	09128-06004	09128-06004	09128-06004	09128-06004	BOLT,front fork cover lower (M6*10)	6

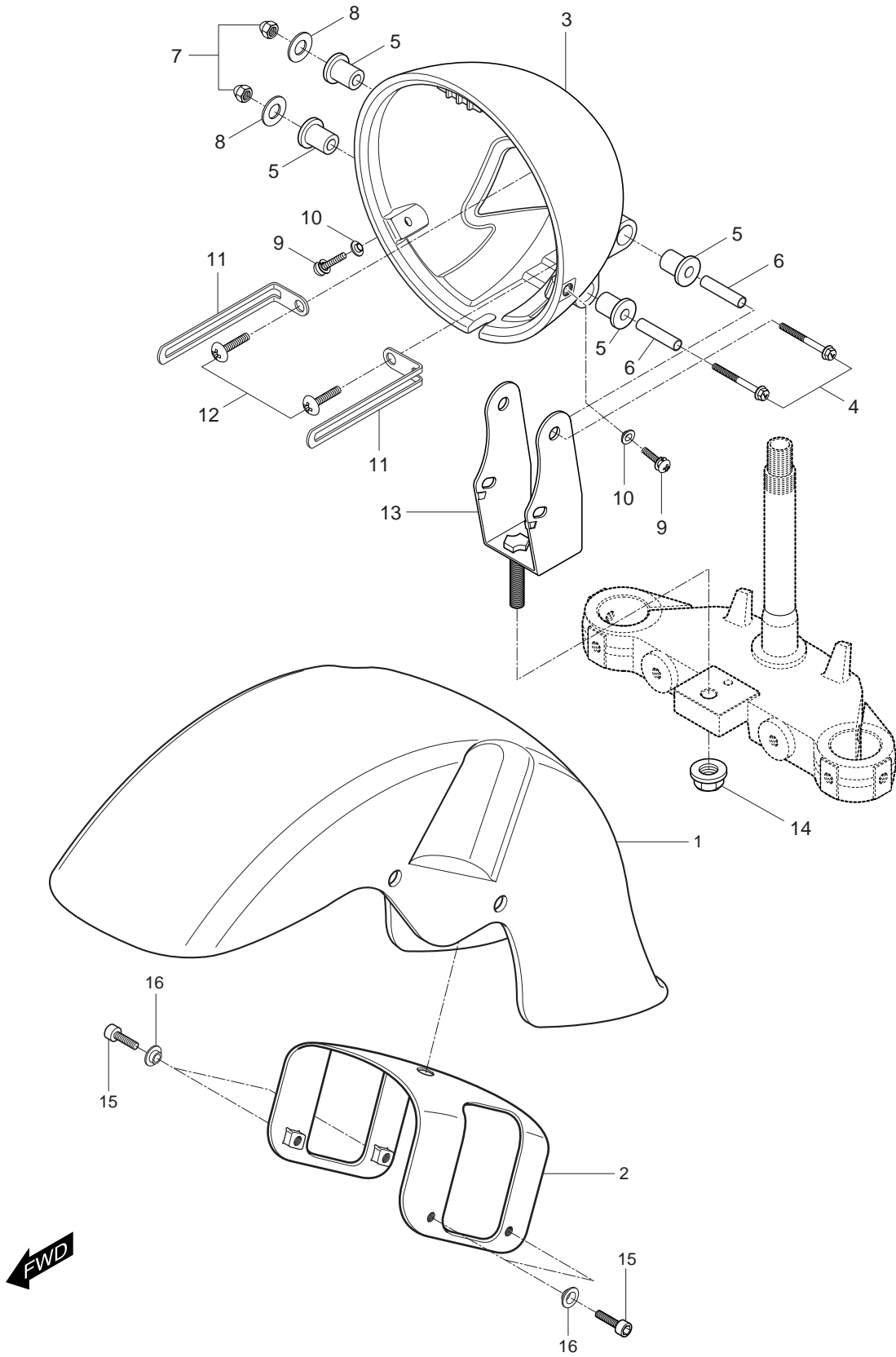
FIG 36



# FIG 36. STEERING HEAD

REI PARTS NO.					PARTS NAME	Q`T REMARKS
NO.	ST01	KEU01 / KG01	KEN01 / LAT01	LUS01		
1	51311HG510703P	51311HG510703P	51311HG510703P	51311HG510703P	BRACKET, front fork upper	1
2	56221HG510403P	56221HG510403P	56221HG510403P	56221HG510403P	HOLDER, handle lower	2
3	56211HG510403P	56211HG510403P	56211HG510403P	56211HG510403P	HOLDER, handle upper	2
4	51760HG5102	51760HG5102	51760HG5102	51760HG5102	GUIDER, under bracket & cable	1
5	09403-19404	09403-19404	09403-19404	09403-19404	CLAMP, bracket hose No.2	1
6	02142-06126	02142-06126	02142-06126	02142-06126	SCREW, upper cable guide No.1(M6*12)	2
7	09100H10071	09100H10071	09100H10071	09100H10071	BOLT, handle holder lower(M10*30)	2
8	09159H22002	09159H22002	09159H22002	09159H22002	NUT, steering upper(M22)	1
9	09160H22032	09160H22032	09160H22032	09160H22032	WASHER, steering upper	1
10	07110-08306	07110-08306	07110-08306	07110-08306	BOLT, handle holder upper(M8*30)	4
11	56222HG5100	56222HG5100	56222HG5100	56222HG5100	CAP, handle holder up bolt	4
12	08319-31108	08319-31108	08319-31108	08319-31108	NUT, handle holder lower(M10)	2
13	09136-06022	09136-06022	09136-06022	09136-06022	SCREW, under bracket cover(M6*20)	2
14	09169H06011	09169H06011	09169H06011	09169H06011	WASHER, turnsignal lamp & cover	2 NOT SALE
15	02142-05125	02142-05125	02142-05125	02142-05125	SCREW,turnsignal lamp & cover (M5*12)	2
16	51710HJ8201	51710HJ8201	51710HJ8201	51710HJ8201	COVER, turnsignal tube	1
17	51720HJ8201PLA	51720HJ8201PLA	51720HJ8201PLA	51720HJ8201PLA	TUBE COMP,turnsignal	1
18	07110-08258	07110-08258	07110-08258	07110-08258	BOLT, bracket upper(M8*25)	2

FIG.37

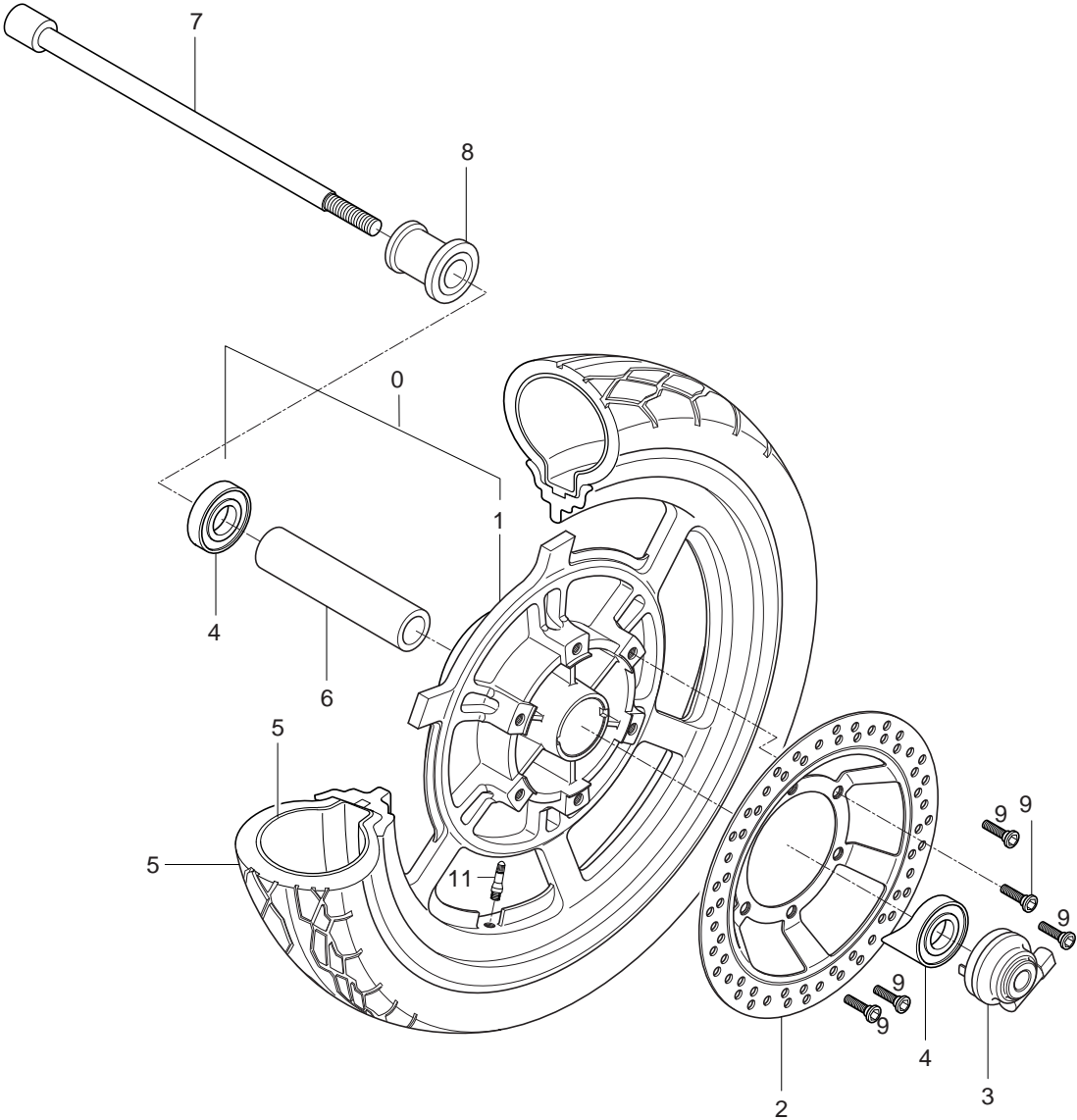


# FIG 37. FRONT FENDER

REI PARTS NO.					PARTS NAME	Q`T	REMARKS
NO.	ST01	KEU01 / KG01	KEN01 / LAT01	LUS01			
1	53111HJ8202	53111HJ8202	53111HJ8202	53111HJ8202	FENDER, front (0MB,0MS,0PM,0RS,0WW)	1	SELECTION
2	53211HJ8201	53211HJ8201	53211HJ8201	53211HJ8201	BRACE, front fender	1	
3	51811HG5102	51811HG5102	51811HG5102	51811HG5102	HOUSING, headlamp	1	~ KM4MJ525241206825
3~1	51811HG5150	51811HG5150	51811HG5150	51811HG5150	HOUSING, headlamp	1	KM4MJ525241206826 ~
4	09103H06013	09103H06013	09103H06013	09103H06013	BOLT, headlamp housing & bracket(M6*45)	2	
5	09320H09017	09320H09017	09320H09017	09320H09017	CUSHION, headlamp housing & bracket	4	
6	09180H06034	09180H06034	09180H10034	09180H06034	SPACER, headlamp housing & bracket	2	
7	08313-11066	08313-11066	08313-11066	08313-11066	NUT, headlamp housing & bracket(M6)	2	
8	09160-06060	09160-06060	09160-06060	09160-06060	WASHER, headlamp housing & bracket	2	
9	02112-95208	02112-95208	02112-95208	02112-95208	SCREW, housing & headlamp	3	
10	09169-05008	09169-05008	09169-05008	09169-05008	WASHER, housing & headlamp		NOT SALE
11	09404-06405	09404-06405	09404-06405	09404-06405	CLAMP, headlamp housing	2	
12	03241-05106	03241-05106	03241-05106	03241-05106	SCREW, headlamp housing clamp	2	
13	51820HJ8261	51820HJ8261	51820HJ8261	51820HJ8261	BRACKET COMP, headlamp housing	1	~ KM4MJ51A041206692
13~1	51820HJ8201	51820HJ8201	51820HJ8201	51820HJ8201	BRACKET COMP, headlamp housing	1	KM4MJ51A041206693 ~
14	08319-31106	08319-31106	08319-31106	08319-31106	NUT, housing bracket & under bracket(M10)	1	
15	07110-08256	07110-08256	07110-08256	07110-08256	BOLT, front fender(M8*25)	4	
16	09169-08034	09169-08034	09169-08034	09169-08034	WASHER, front fender	4	



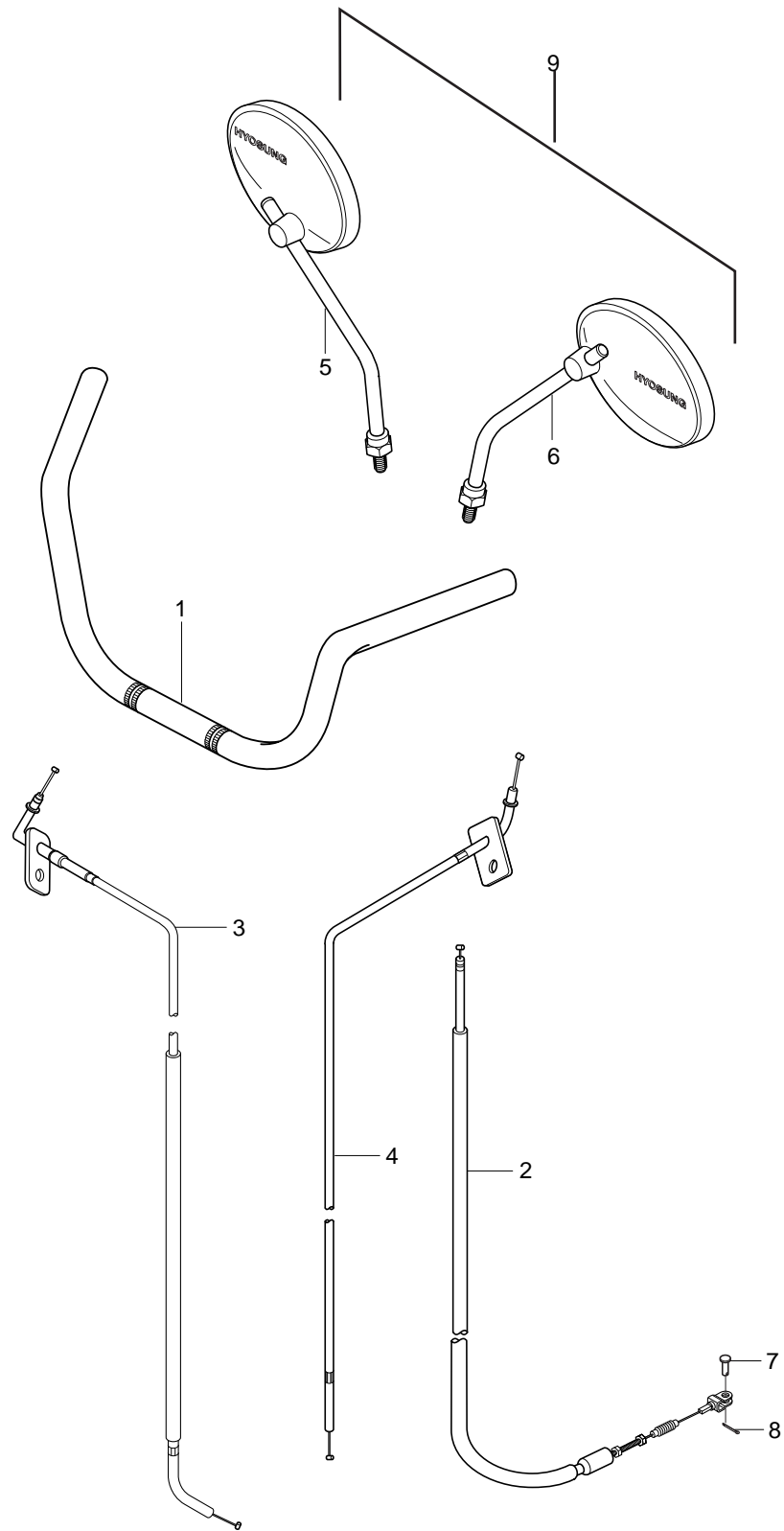
FIG.38



# FIG 38. FRONT WHEEL

REI PARTS NO.					PARTS NAME	Q`T REMARKS
NO.	ST01	KEU01 / KG01	KEN01 / LAT01	LUS01		
0	54140HG5100HPA	54140HG5100HPA	54140HG5100HPA	54140HG5100HPA	WHEEL ASSY,front	1
1	54141HG5104	54141HG5104	54141HG5104	54141HG5104	WHEEL, front (J16×MT2.50)	1
2	59211HG5101	59211HG5101	59211HG5101	59211HG5101	DISC, front brake	1
3	54600HG5102	54600HG5102	54600HG5102	54600HG5102	BOX ASS'Y, speedometer gear	1
4	08124-63027	08124-63027	08124-63027	08124-63027	BEARING, front hub(15*42*13)	2
5	55100HJ8200	55100HJ8200	55100HJ8200	55100HJ8200	TIRE SET, front (110/90-16 59s)	1
6	54731HG5100	54731HG5100	54731HG5100	54731HG5100	SPACER, front hub bearing	1
7	54711HG5101	54711HG5101	54711HG5101	54711HG5101	AXLEL, front	1
8	54750HG5100	54750HG5100	54750HG5100	54750HG5100	SPACER COMP, front axle L	1
9	59421-03A01	59421-03A01	59421-03A01	59421-03A01	BOLT, front brake disc(M8*20)	6
10	55220-41D10	55220-41D10	55220-41D10	55220-41D10	.VALVE ASS'Y, wheel rim	1

FIG.39

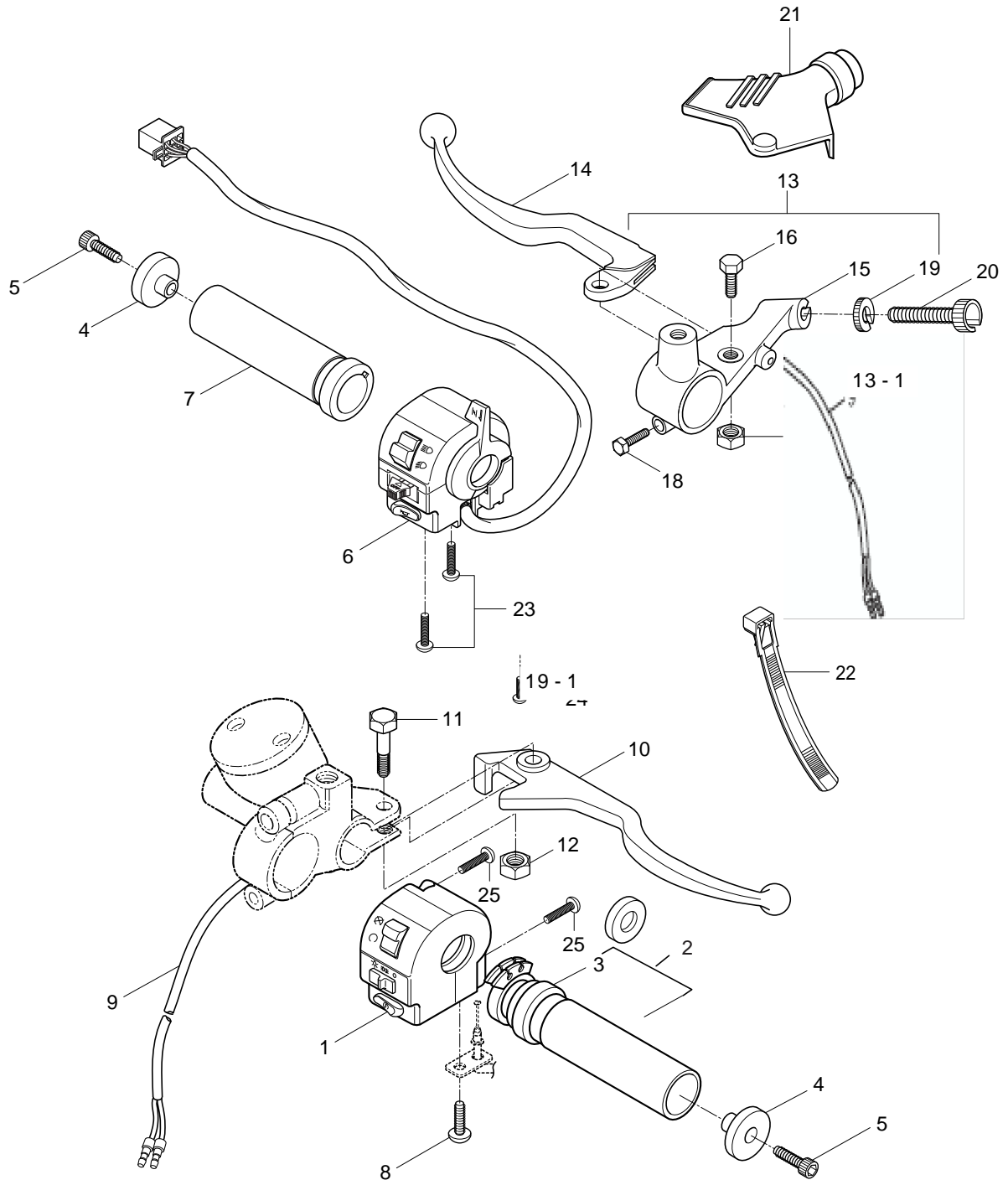


**FWD**

# FIG 39. HANDLE BAR

REI PARTS NO.					PARTS NAME	Q`T	REMARKS
NO.	ST01	KEU01 / KG01	KEN01 / LAT01	LUS01			
1	56110HG5106WED	56110HG5154WED	56110HG5154WED	56110HG5154WED	HANDLE BAR COMP	1	2
2	58200HG5101	58200HG5101	58200HG5101	58200HG5101	CABLE ASS'Y CLUTCH	1	
3	58300HG5102	58300HG5102	58300HG5102	58300HG5102	CABLE ASS'Y, throttle	1	
4	58410HG5103	58410HG5103	58410HG5103	58410HG5103	CABLE COMP, starter	1	
5	56500HG5150	56500HG5150	56500HG5150		.MIRROR ASS'Y ,rear view R	1	
5-1				56500HJ8270	.MIRROR ASS'Y ,rear view R	1	
6	56600HG5150	56600HG5150	56600HG5150		.MIRROR ASS'Y ,rear view L	1	
6-1				56600HJ8270	.MIRROR ASS'Y ,rear view L	1	
7	09200-06004	09200-06004	09200-06004	09200-06004	PIN, clutch cable	1	
8	04111-20158	04111-20158	04111-20158	04111-20158	COTTER PIN, clutch cable	1	
9	56501HG5150	56501HG5150	56501HG5150		MIRROR SET	1	7
9-1				56501HJ8270	MIRROR SET	1	

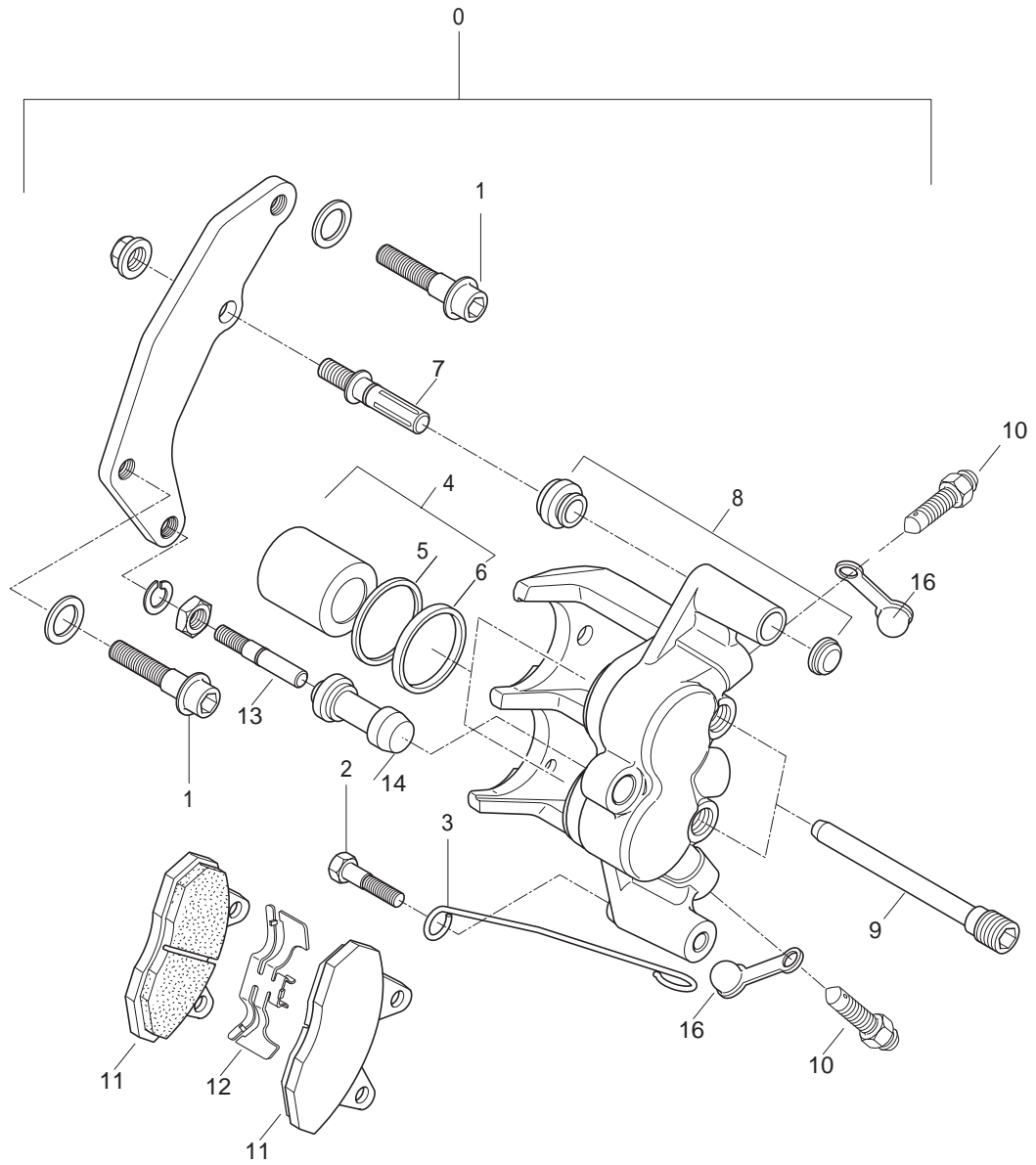
FIG.40



# FIG 40. HANDLE SWITCH

REI PARTS NO.					PARTS NAME	Q`T	REMARKS
NO.	ST01	KEU01 / KG01	KEN01 / LAT01	LUS01			
1	37200HG5130	37200HJ8210	37200HJ8210	37200HJ8210	SWITCH ASSY, handle R	1	7
2	57110HG5101	57110HG5101	57110HG5101	57110HG5101	GRIP COMP,throttle	1	5
3	57113H93B00	57113H93B00	57113H93B00	57113H93B00	.COVER, throttle grip	1	NOT SALE
4	56271H93B01PLA	56271H93B01PLA	56271H93B01PLA	56271H93B01PLA	BALANCER,handle bar	2	
5	07110-08258	07110-08258	07110-08258	07110-08258	BOLT, handle balancer(M8×25)	2	
6	37400HG5110	37400HG5110	37400HG5110	37400HG5110	SWLTCH ASSY, handle L	1	7
7	57210HG5100	57210HG5100	57210HG5100	57210HG5100	GRIP COMP, L	1	3
8	02112-05105	02112-05105	02112-05105	02112-05105	SCREW, ghrottle cable(M5×10)	1	
9	57460H93B00	57460H93B00	57460H93B00	57460H93B00	SWLTCH ASSY, stop	1	
10	57421H93B00	57421H93B00	57421H93B00	57421H93B00	LEVER, brake	1	5
11	57431H18622	57431H18622	57431H18622	57431H18622	BOLT, brake lever pivot(M6*30)	1	
12	08319-21068	08319-21068	08319-21068	08319-21068	NUT, brake lever pivot(M6)	1	
13	57500HJ8254	57500HJ8254	57500HJ8254	57500HJ8254	LEVER ASSY, clutch	1	10
13-1	57460HJ8250	57460HJ8250	57460HJ8250	57460HJ8250	SWITCH ASS`Y, clutch		
14	57620HJ8250	57620HJ8250	57620HJ8250	57620HJ8250	.CLUTCH LEVER	1	
15	57511HJ8254	57511HJ8254	57511HJ8254	57511HJ8254	.HOLDER, clutch lever	1	
16	57431H93B00	57431H93B00	57431H93B00	57431H93B00	.BOLT SET, clutch lever pivot	1	
17	08319-21068	08319-21068	08319-21068	08319-21068	NUT, brake lever pivot(M6)	1	
18	57451H93B00	57451H93B00	57451H93B00	57451H93B00	.BOLT,clutch lever holder	1	
19	57442H93B00	57442H93B00	57442H93B00	57442H93B00	.LOCK NUT	1	
20	57441H93B00	57441H93B00	57441H93B00	57441H93B00	.ADJUSTER,wire	1	
21	57661HJ8200	57661HJ8200	57661HJ8200	57661HJ8200	COVER, clutch lever	1	
22	09407-20406	09407-20406	09407-20406	09407-20406	CLAMP, wiring harness	4	
23	02112-05455	02112-05455	02112-05455	02112-05455	.SCREW, handle switch LH(M5*48)	2	
24	02112-05105	02112-05105	02112-05105	02112-05105	SCREW, choke cable(M5*10)	1	
25	02112-05205	02112-05205	02112-05205	02112-05205	SCREW, handle switch RH(M5*20)	2	

FIG.41



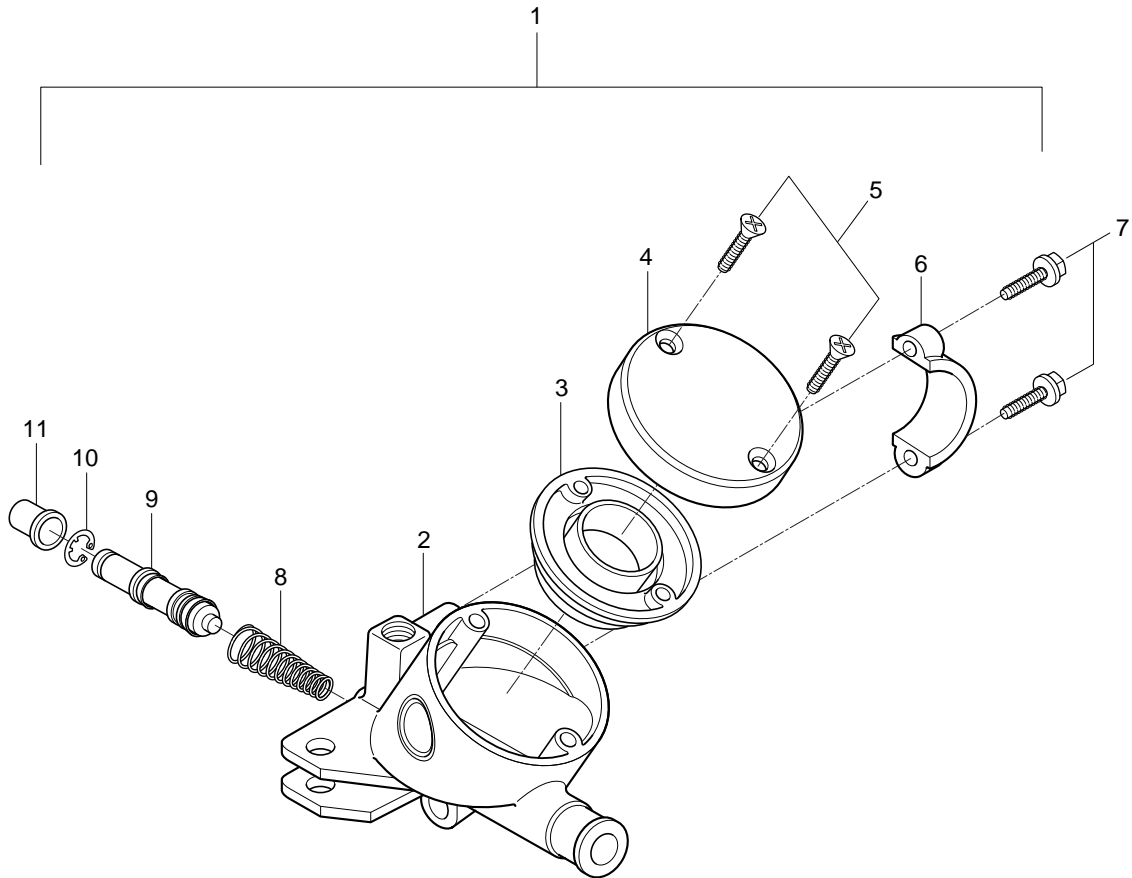
**FWD**

# FIG 41. CALIPER

REI PARTS NO.					PARTS NAME	Q`T	REMARKS
NO.	ST01	KEU01 / KG01	KEN01 / LAT01	LUS01			
0	59300HG5100	59300HG5100	59300HG5100	59300HG5100	CALIPERS ASSY, L	1	2
1	09103H08254	09103H08254	09103H08254	09103H08254	BOLT, calipers	2	NOT SALE
2	01514-06106	01514-06106	01514-06106	01514-06106	BOLT, speedometer cable guide(M6*10)	1	
3	51418HF4501	51418HF4501	51418HF4501	51418HF4501	GUIDE, speedometer cable	1	
4	59303HG5100	59303HG5100	59303HG5100	59303HG5100	.PISTON SET,caliper	1	NOT SALE
5	59107HG5100	59107HG5100	59107HG5100	59107HG5100	.SEAL,piston	1	NOT SALE
6	59308HG5100	59308HG5100	59308HG5100	59308HG5100	.BOOT,piston	1	NOT SALE
7	59305HG5100	59305HG5100	59305HG5100	59305HG5100	.AXLE No.1	1	NOT SALE
8	59312HG5100	59312HG5100	59312HG5100	59312HG5100	.BOOT	1	NOT SALE
9	59302HG5100	59302HG5100	59302HG5100	59302HG5100	.AXLE,caliper pad	2	NOT SALE
10	59121HG5100	59121HG5100	59121HG5100	59121HG5100	.BREATHER	2	NOT SALE
11	59301HG5100	59301HG5100	59301HG5100	59301HG5100	.PAD COMP,caliper	1	30
12	59315HG5100	59315HG5100	59315HG5100	59315HG5100	.SPRING	1	NOT SALE
13	59306HG5100	59306HG5100	59306HG5100	59306HG5100	.AXLE No.2	1	NOT SALE
14	59313HG5100	59313HG5100	59313HG5100	59313HG5100	.INSULATOR,caliper	1	NOT SALE
15	59350HG5100	59350HG5100	59350HG5100	59350HG5100	.CARRIER,caliper	1	NOT SALE
16	59122HG5100	59122HG5100	59122HG5100	59122HG5100	.CAP	2	NOT SALE



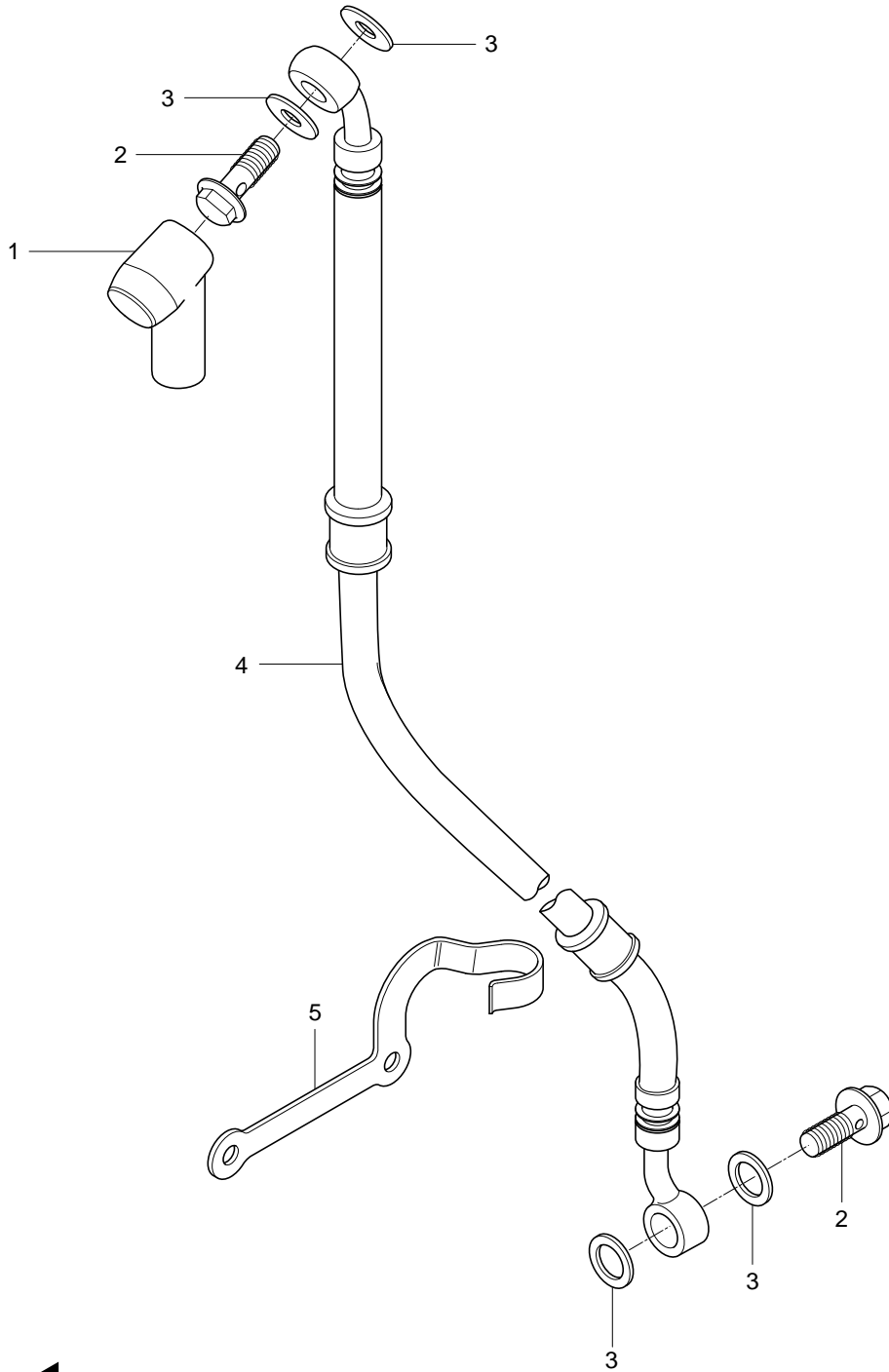
FIG.42



# FIG 42. MASTER CYLINDER

REI PARTS NO.					PARTS NAME	Q`T REMARKS	
NO.	ST01	KEU01 / KG01	KEN01 / LAT01	LUS01			
1	59600HG5102	59600HG5102	59600HG5102	59600HG5102	CYLINDER ASSY, front master	1	2
2	59661H93B00	59661H93B00	59661H93B00	59661H93B00	.BODY	1	NOT SALE
3	59686H93B00	59686H93B00	59686H93B00	59686H93B00	.DIAPHRAGM	1	
4	59669H93B00	59669H93B00	59669H93B00	59669H93B00	.CAP, reservoir	1	
5	59691H93B00	59691H93B00	59691H93B00	59691H93B00	.SCREW, reservoir	1	
6	59671-93B00	59671-93B00	59671-93B00	59671-93B00	.HOLDER	1	5
7	59693-45100	59693-45100	59693-45100	59693-45100	.BOLT SET	2	
8	59621-36500	59621-36500	59621-36500	59621-36500	.SPRING, return	1	NOT SALE
9	59611-36500	59611-36500	59611-36500	59611-36500	.PISTON	1	NOT SALE
10	59665-36500	59665-36500	59665-36500	59665-36500	.CIRCLIP	1	NOT SALE
11	59666-54100	59666-54100	59666-54100	59666-54100	.BOOT COMP	1	NOT SALE

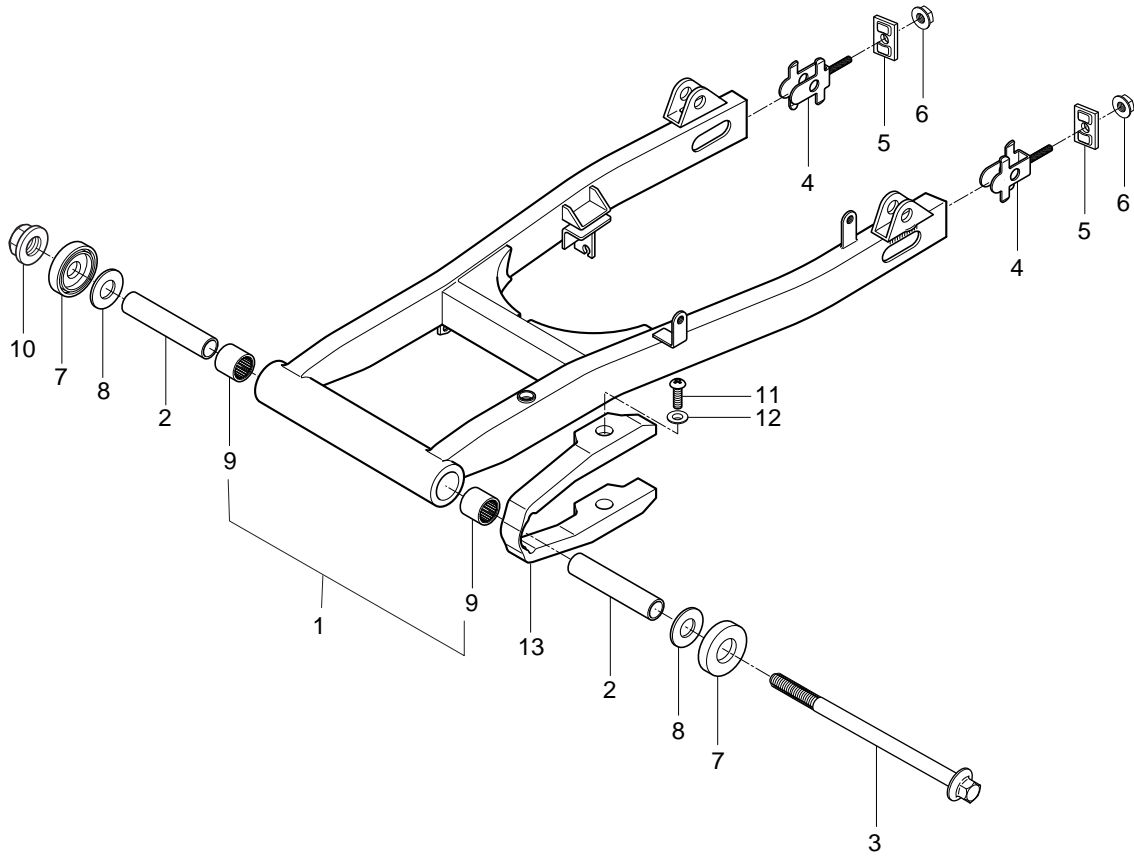
FIG.43



# FIG 43. FRONT BRAKE HOSE

REI PARTS NO.					PARTS NAME	Q`T	REMARKS
NO.	ST01	KEU01 / KG01	KEN01 / LAT01	LUS01			
1	59711H49002	59711H49002	59711H49002	59711H49002	BOOT, brake hose	1	
2	09360-10039	09360-10039	09360-10039	09360-10039	BOLT, brake hose(M10*22)	2	10
3	09161-10005	09161-10005	09161-10005	09161-10005	WAHER, brake hose	4	16
4	59480HJ8202	59480HJ8202	59480HJ8202	59480HJ8202	HOSE, front brake (L=1019.3)	1	5
5	59266HJ8200	59266HJ8200	59266HJ8200	59266HJ8200	CLAMP, brake hose No.1	1	

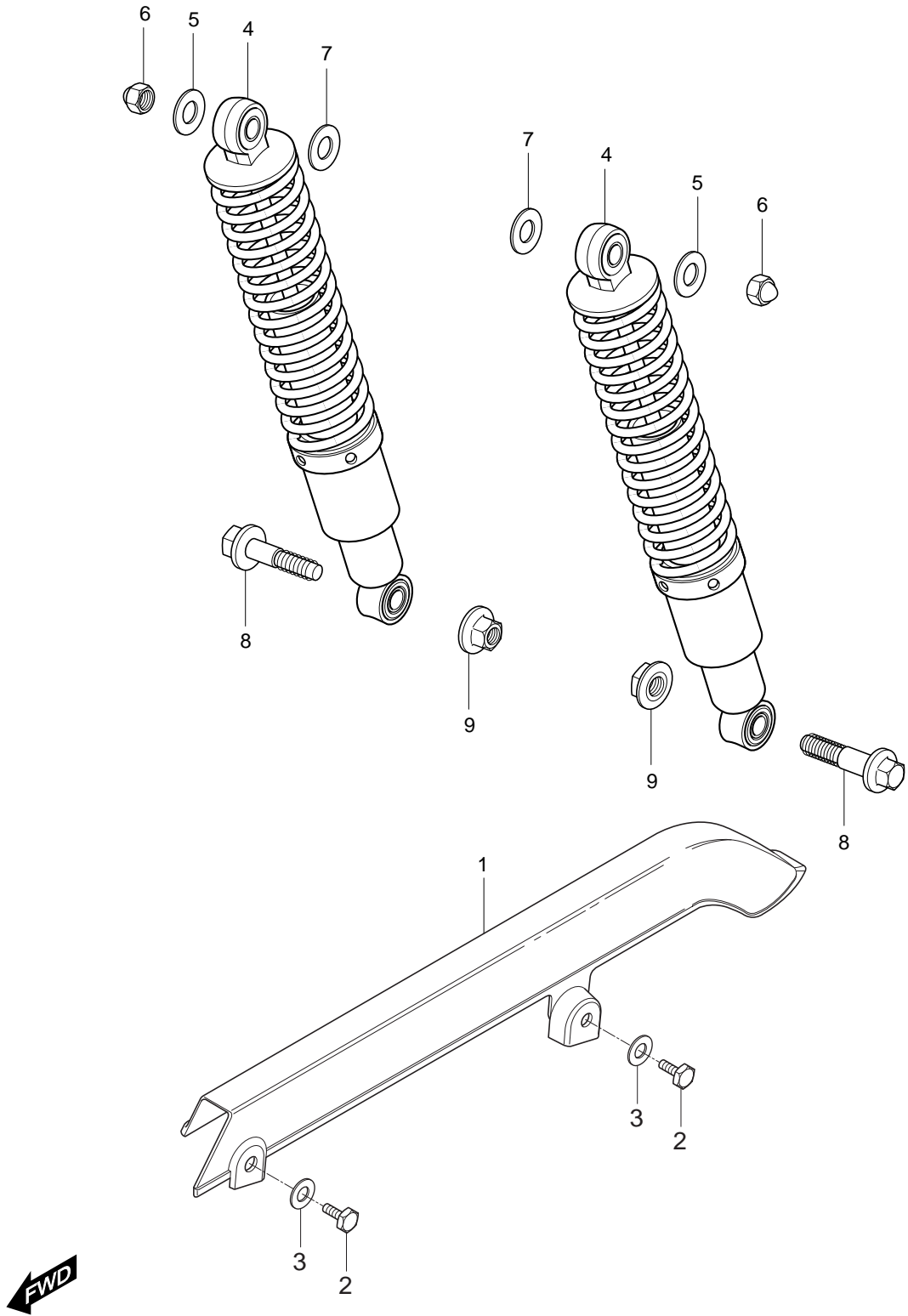
FIG.44



# FIG 44. SWINGING ARM

REI PARTS NO.					PARTS NAME	Q`T REMARKS
NO.	ST01	KEU01 / KG01	KEN01 / LAT01	LUS01		
1	61100HJ8204PAM	61100HJ8204PAM	61100HJ8204PAM	61100HJ8204PAM	SWINGING ARM COMP, rear	1
2	61251HG5100	61251HG5100	61251HG5100	61251HG5100	SPACER, swinging arm pivot. bearing	2
3	61211HG5101	61211HG5101	61211HG5101	61211HG5101	SHAFT, rear swinging arm, pivot	1
4	61410HJ8200	61410HJ8200	61410HJ8200	61410HJ8200	ADTUSTER COMP, chain	2
5	61421-01D00	61421-01D00	61421-01D00	61421-01D00	PLATE, chain adjuster guide	2
6	08319-31088	08319-31088	08319-31088	08319-31088	NUT, chain adjuster(M8)	2
7	61262-45002	61262-45002	61262-45002	61262-45002	COVER, rear swinging arm pivot	2
8	08211-14341	08211-14341	08211-14341	08211-14341	THRUST WASHER, swinging arm pivot	2
9	09263-22017	09263-22017	09263-22017	09263-22017	BEARING, rear swinging arm pivot(22*29*31)	2
10	08319-31128	08319-31128	08319-31128	08319-31128	NUT, rear swinging arm pivot(M12)	1
11	02142-06166	02142-06166	02142-06166	02142-06166	SCREW, chain touch defense buffer(M6*16)	2
12	09169H06011	09169H06011	09169H06011	09169H06011	WASHER, chain touch defense buffer	2
13	61273HJ8200	61273HJ8200	61273HJ8200	61273HJ8200	BUFFER, chain touch defense	1

FIG.45

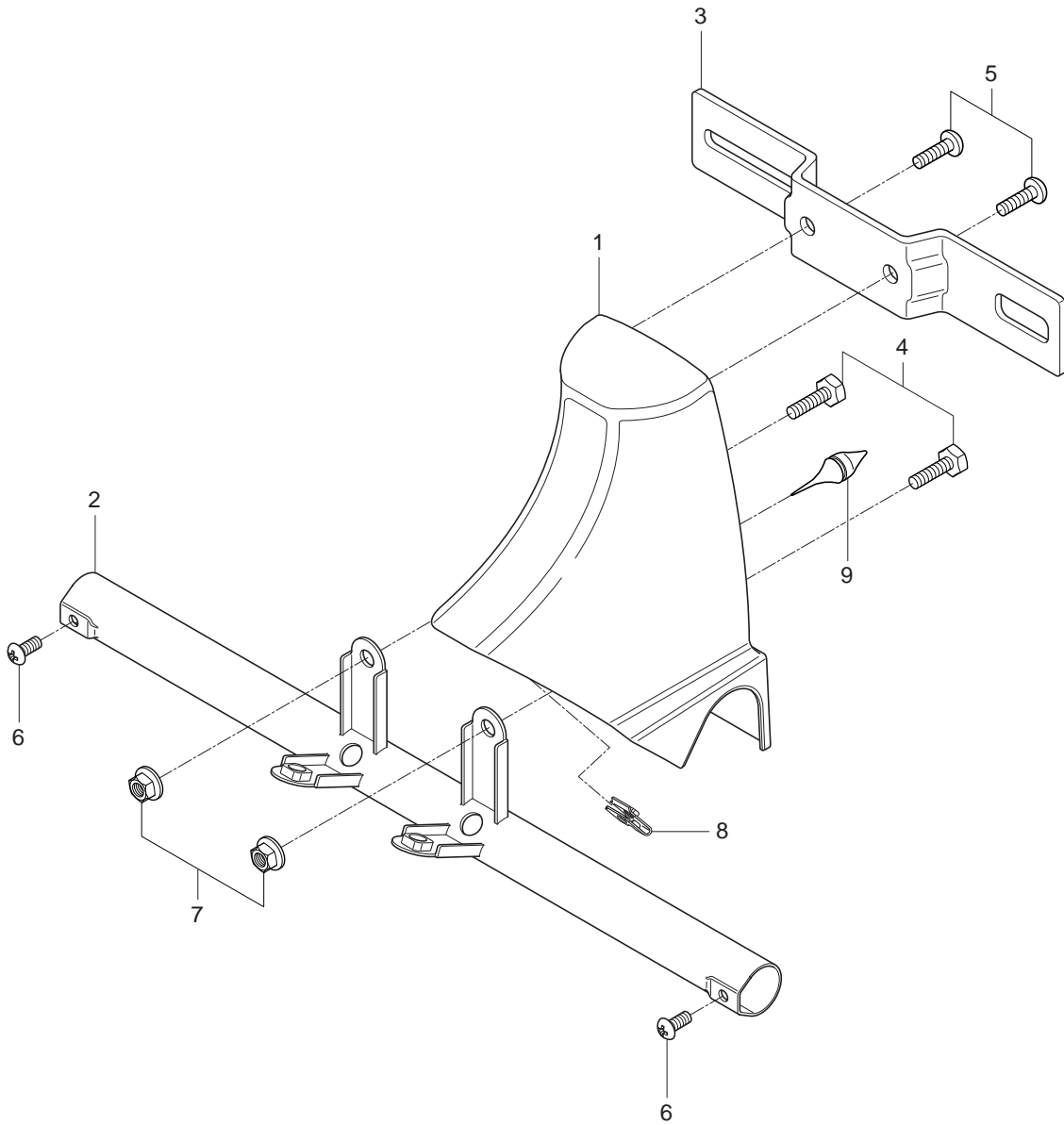


# FIG 45. REAR SHOCK ABSORBER

REI PARTS NO.					PARTS NAME	Q`T	REMARKS
NO.	ST01	KEU01 / KG01	KEN01 / LAT01	LUS01			
1	61311HG5103	61311HG5103	61311HG5103	61311HG5103	CASE, chain	1	3
2	01104-06128	01104-06128	01104-06128	01104-06128	BOLT, chain case(M6*12)	2	
3	09169-06010	09169-06010	09169-06010	09169-06010	WASHER, chain case	2	
4	62100HJ8200	62100HJ8200	62100HJ8200	62100HJ8200	SHOCK ABSORBER ASS'Y, rear	2	10
5	09160-10001	09160-10001	09160-10001	09160-10001	WASHER, rear shock absorber upper	2	
6	08313-11107	08313-11107	08313-11107	08313-11107	NUT, rear shock absorber upper(M10)	2	
7	08322-21128	08322-21128	08322-21128	08322-21128	WASHER, rear shock absorber inner upper	2	
8	62311-05350	62311-05350	62311-05350	62311-05350	BOLT, rear shock absorber lower (M12*38)	2	
9	08316-26128	08316-26128	08316-26128	08316-26128	NUT, rear shock absorber lower (M12)	2	



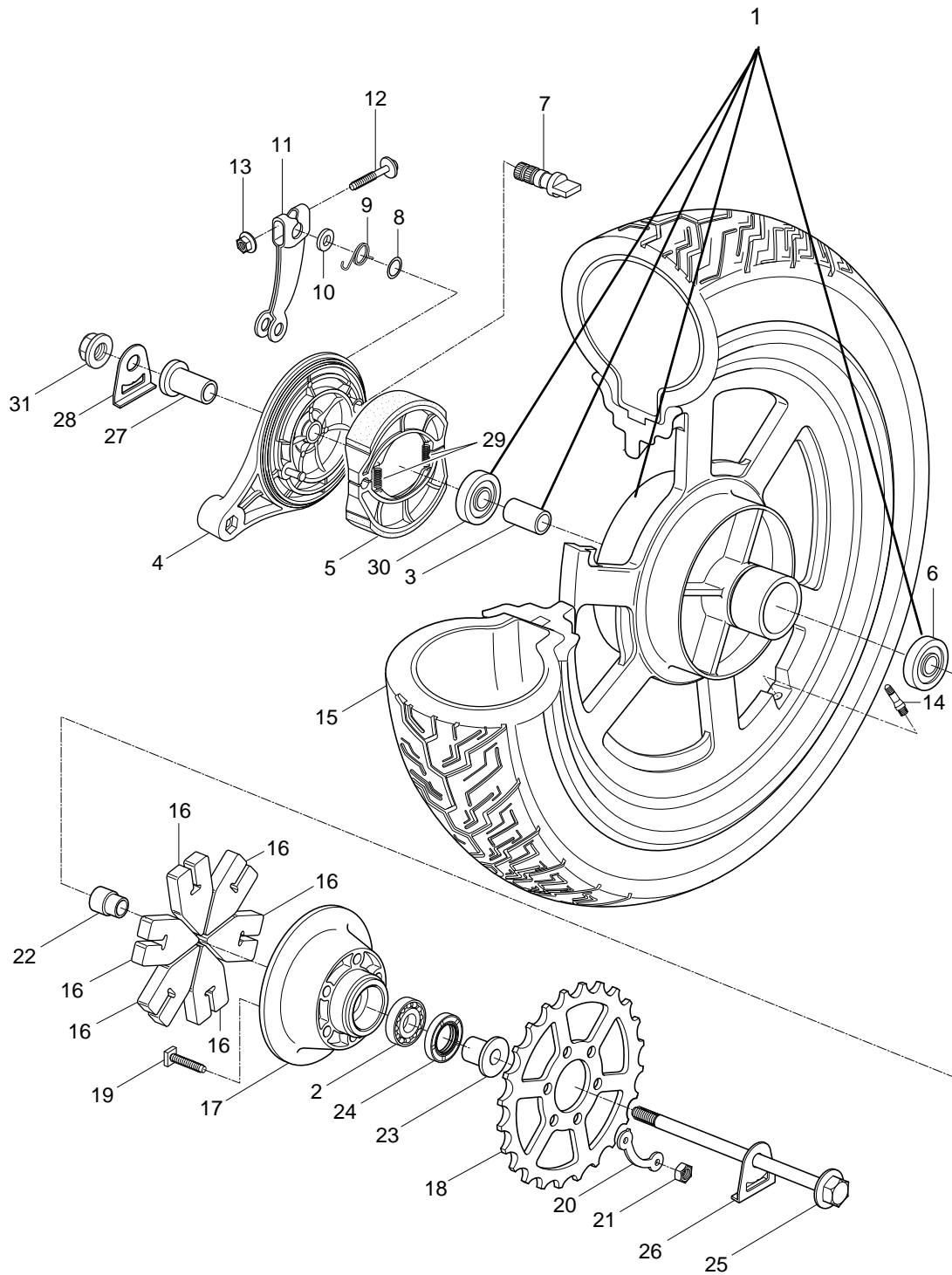
FIG.46



# FIG 46. TAIL REAR COVER

REI PARTS NO.					PARTS NAME	Q`T REMARKS
NO.	ST01	KEU01 / KG01	KEN01 / LAT01	LUS01		
1	45541HJ8201	45541HJ8201	45541HJ8201	45541HJ8201	COVER,tail rear	1
2	45530HJ8202PLA	45530HJ8202PLA	45530HJ8202PLA	45530HJ8202PLA	BRACKET COMP,tail rear cover	1
3	35927H44430	35927H44430	35927H44430	35927H44430	BRACKET,license plate	1
4	01107-06166	01107-06166	01107-06166	01107-06166	BOLT,tail rear cover rear (M6*16)	2
5	02142-06126	02142-06126	02142-06126	02142-06126	SCREW,license plate bracket (M6*12)	2
6	02142-05125	02142-05125	02142-05125	02142-05125	SCREW,turnsignal lamp (M5×12)	2
7	08316-26066	08316-26066	08316-26066	08316-26066	NUT,tail rear cover rear (M6)	2
8	09148-06020	09148-06020	09148-06020	09148-06020	NUT,tail rear cover (M6)	1
9	09321-06023	09321-06023	09321-06023	09321-06023	CUSHION,license plate	1

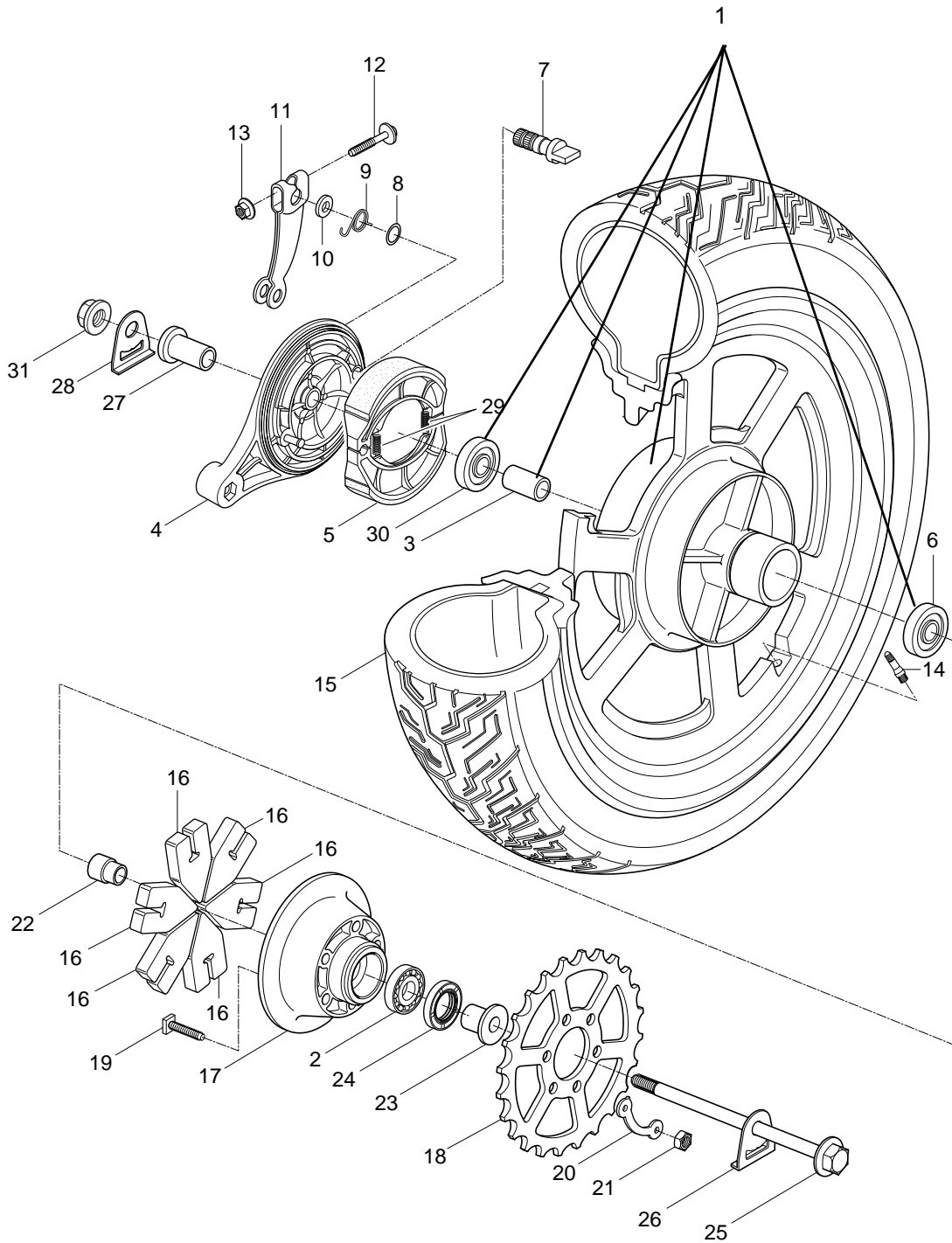
FIG.47



# FIG 47. REAR WHEEL

REI PARTS NO.					PARTS NAME	Q`T	REMARKS
NO.	ST01	KEU01 / KG01	KEN01 / LAT01	LUS01			
1	64150HJ8200HPA	64150HJ8200HPA	64150HJ8200HPA	64150HJ8200HPA	WHEEL ASSY,rear (J15×MT3.00)	1	
2	08113-63057	08113-63057	08113-63057	08113-63057	BEARING, rear sprocket mounting drum(62*	1	
3	64731HJ8200	64731HJ8200	64731HJ8200	64731HJ8200	SPACER, rear wheel bearing(L=85.2)	1	
4	64200HJ8200	64200HJ8200	64200HJ8200	64200HJ8200	PANEL COMP, rear brake anchor	1	2
5	64400SJ8200	64400SJ8200	64400SJ8200	64400SJ8200	SHOE COMP, rear brake	2	10
6	08123-63037	08123-63037	08123-63037	08123-63037	BEARING, rear wheel L(47*17*14)	1	3
7	64441HJ8202	64441HJ8202	64441HJ8202	64441HJ8202	CAM COMP, rear brake	1	
8	09280-15001	09280-15001	09280-15001	09280-15001	.O-RING, rear brake cam(14.8*2.4)	1	
9	09448-33006	09448-33006	09448-33006	09448-33006	.SPRING,rear brake panel	1	
10	09160H15001	09160H15001	09160H15001	09160H15001	.WASHER, rear brake cam dust seal	1	
11	64451-13200	64451-13200	64451-13200	64451-13200	LEVER, rear brake cam	1	
12	01517-06356	01517-06356	01517-06356	01517-06356	BOLT, rear brake cam lever(M6*35)	1	
13	08316-16066	08316-16066	08316-16066	08316-16066	NUT, rear brake cam lever(M6)	1	
14	55220-41D10	55220-41D10	55220-41D10	55220-41D10	.VALVE ASS'Y, wheel rim	1	
15	65100HJ8200	65100HJ8200	65100HJ8200	65100HJ8200	TIRE SET, rear (130/90-15 M/C 70S)	1	
16	64651HJ8201	64651HJ8201	64651HJ8201	64651HJ8201	SHOCK ABSORBER ASS'Y, rear wheel	1	3
17	64610HJ8203	64610HJ8203	64610HJ8203	64610HJ8203	DRUM, rear sprocket mounting	1	
18	64511HJ8205	64511HJ8205	64511HJ8205	64511HJ8205	SPROCKET, rear (520-46T)	1	
19	09105-10006	09105-10006	09105-10006	09105-10006	BOLT, rear sprocket(M10*38.1)	6	
20	09169-10013	09169-10013	09169-10013	09169-10013	WASHER, rear sprocket	3	
21	08310-11108	08310-11108	08310-11108	08310-11108	NUT, rear sprocket(M10)	6	
22	64733HJ8200	64733HJ8200	64733HJ8200	64733HJ8200	RETAINER, rear sprocket drum	1	
23	64751HJ8200	64751HJ8200	64751HJ8200	64751HJ8200	SPACER, rear axle L	1	
24	09285-28001	09285-28001	09285-28001	09285-28001	OILSEAL, rear sprocket mounting drum	1	
25	64711HJ8201	64711HJ8201	64711HJ8201	64711HJ8201	AXLE, rear	1	
26	64712HJ8200	64712HJ8200	64712HJ8200	64712HJ8200	WASHER, chain adjuster L	1	
27	64741HJ8201	64741HJ8201	64741HJ8201	64741HJ8201	SPACER, rear axle R	1	

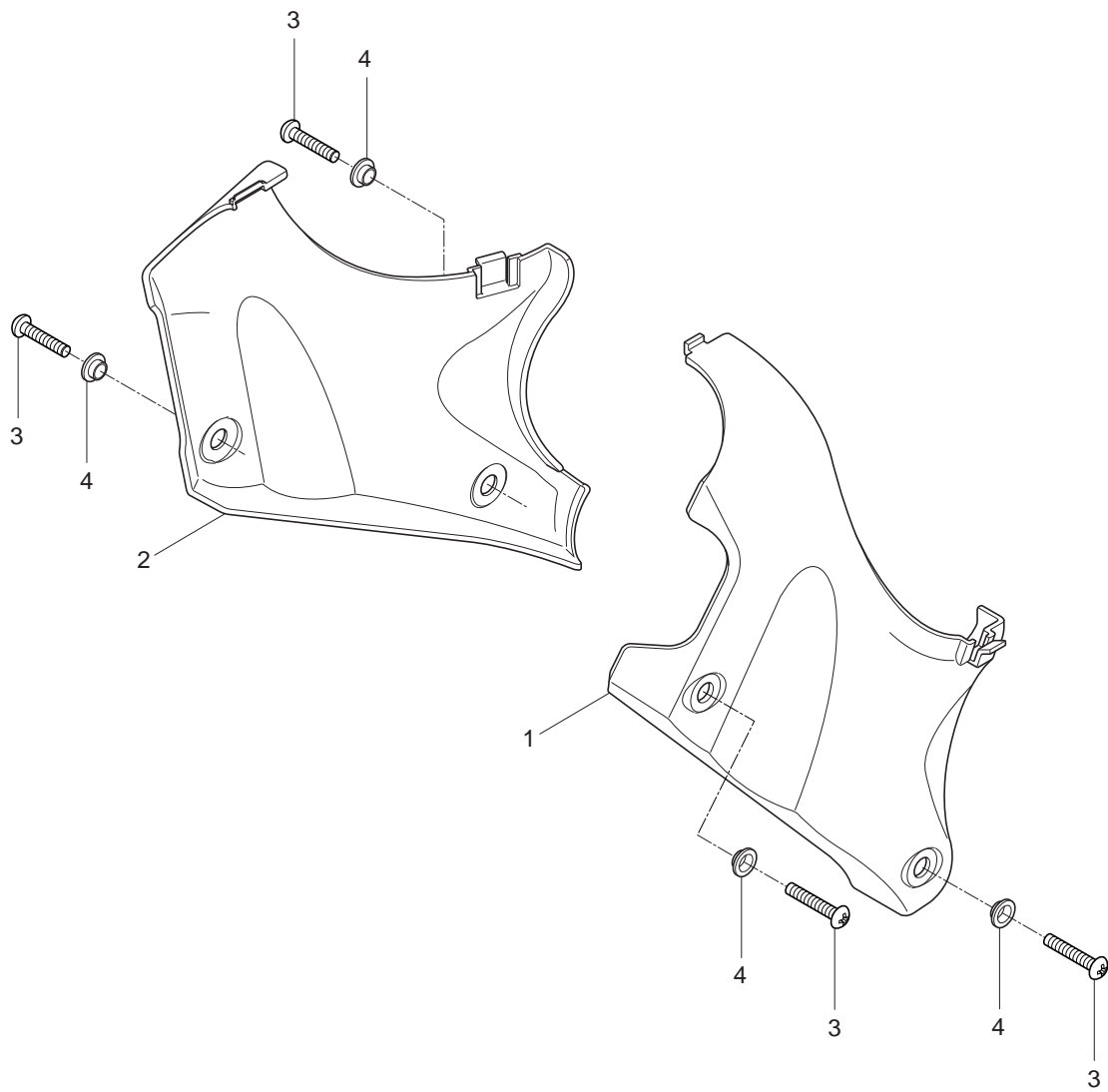
FIG.47



# FIG 47. REAR WHEEL

REI PARTS NO.					PARTS NAME	Q`T	REMARKS
NO.	ST01	KEU01 / KG01	KEN01 / LAT01	LUS01			
28	64712HJ8200	64712HJ8200	64712HJ8200	64712HJ8200	WASHER, chain adjuster R	1	
29	55420HJ8204	55420HJ8204	55420HJ8204	55420HJ8204	.SPRING, rear brake shoe	1	
30	08123-63037	08123-63037	08123-63037	08123-63037	BEARING, rear wheel R(47*17*14)	1	
31	09159H16002	09159H16002	09159H16002	09159H16002	NUT, rear axle(M16)	1	3

FIG.48

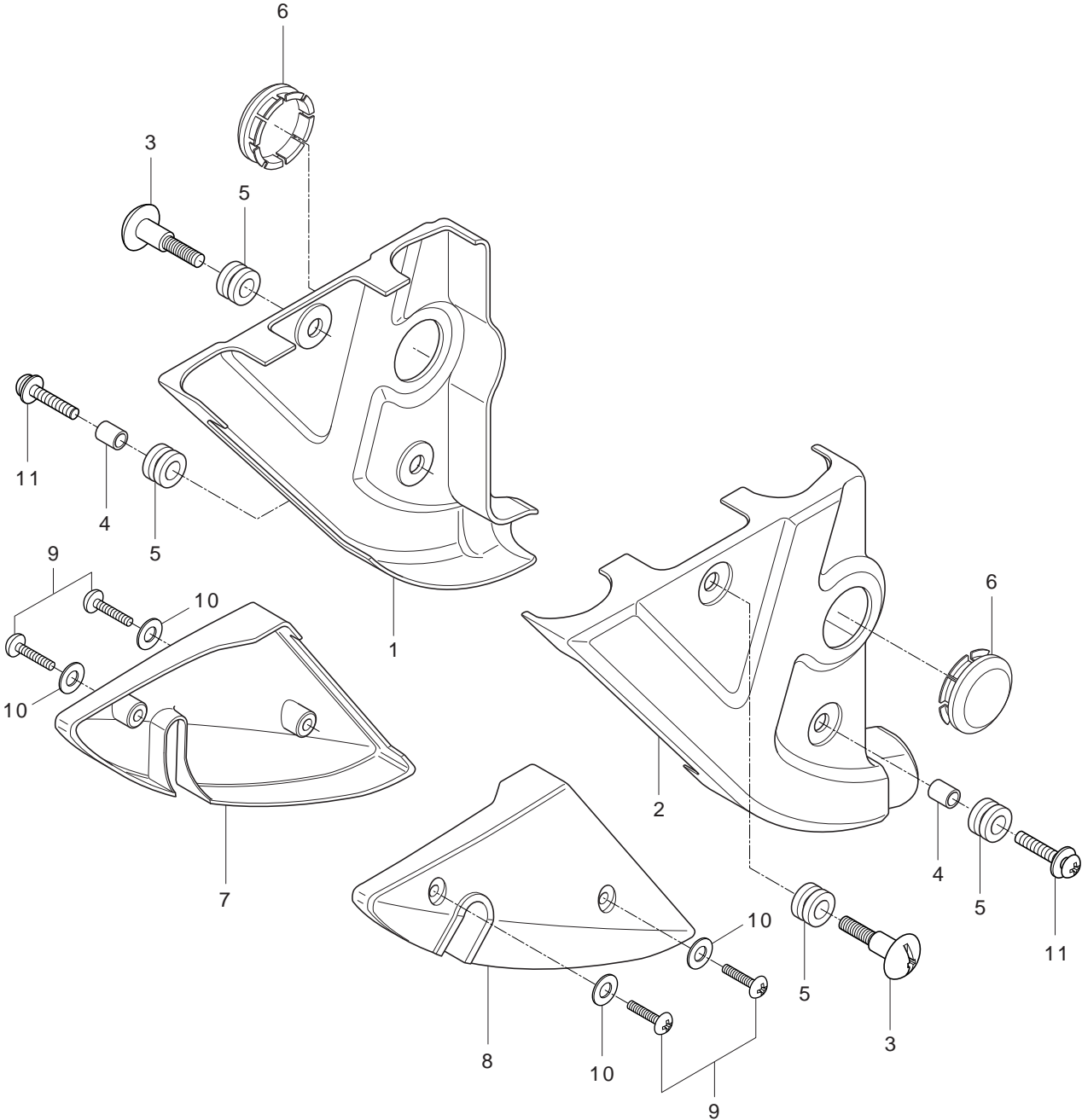


# FIG 48. FRAME HEAD COVER

REI PARTS NO.					PARTS NAME	Q`T	REMARKS
NO.	ST01	KEU01 / KG01	KEN01 / LAT01	LUS01			
1	47511HG5103	47511HG5103	47511HG5103	47511HG5103	COVER, frame head R (0MB,0PR,0WB)	1	SELECTION
2	47521HG5103	47521HG5103	47521HG5103	47521HG5103	COVER, frame head L (0MB,0PR,0WB)	1	SELECTION
3	02142-05125	02142-05125	02142-05125	02142-05125	SCREW, frame head cover(M5*12)	4	
4	09169-05009	09169-05009	09169-05009	09169-05009	WASHER, frame head cover	4	



FIG.49



FWD

# FIG 49. FRAME COVER

REI PARTS NO.					PARTS NAME	Q`T REMARKS	
NO.	ST01	KEU01 / KG01	KEN01 / LAT01	LUS01			
1	47121HG5101	47121HG5101	47121HG5101	47121HG5101	COVER, side lower R	1	5
2	47221HG5101	47221HG5101	47221HG5101	47221HG5101	COVER, side lower L	1	5
3	48242HE6100	48242HE6100	48242HE6100	48242HE6100	BOLT, side lower cover upper(M6*22)	2	
4	09180-06011	09180-06011	09180-06011	09180-06011	SPACER, side lower cover lower	2	
5	09320-09016	09320-09016	09320-09016	09320-09016	CUSHION, sider lower cover	4	
6	47125HG5100	47125HG5100	47125HG5100	47125HG5100	CAP, rear swinging arm pivot	2	
7	47131HG5101	47131HG5101	47131HG5101	47131HG5101	COVER, side lower rear RH	1	5
8	47231HG5101	47231HG5101	47231HG5101	47231HG5101	COVER, side lower rear LH	1	5
9	02142-05308	02142-05308	02142-05308	02142-05308	SCREW, side lower cover rear(M5*30)	4	
10	08322-21058	08322-21058	08322-21058	08322-21058	WASHER, side lower cover rear	4	
11	09136-06022	09136-06022	09136-06022	09136-06022	SCREW, side lower cover lower(M6*20)	2	