

Your way to experience

SF 50B

ENGINE SYSTEM
2STROKE
AIR-COOLED

STARTER SYSTEM
ELECTRIC/KICK

DISPLACEMENT
49 cc

NUMBER OF CYLINDER
1

L×W×H
1,840×635×1,110 mm

WHEEL BASE
1,285 mm

GROUND CLEARANCE
140 mm

DRY MASS
95 kg

GEAR SHIFT PATTERN
AUTOMATIC

BRAKE SYSTEM
DISK front
DRUM rear

TIRE
110/70-12 47J front
120/70-12 51J rear

FUEL TANK
4.8 liter

New start, New life, SF50B.

New start together with SF50B changes your life-style in off hours & daily activity. It is the very close sidekick SF50B which you can go along anywhere. Show off the strong individuality of SF50B, and enjoy riding new life-style SF50B.



REFERENCE

1.The detailed specification of each model are referred by the persons who are in charge of overseas marketing team, Hyosung.

2.Special demand

When you order any colored parts, please add color code to the end of parts number and it will be helpful to register your parts order.

※ Color Code

DB : PEARL DEEP BLUE

PR : PEARL CANDY RED

S3 : STARDUST SILVER

MO : MONGO YELLOW

HYOSUNG MOTORS & MACHINERY INC.

FIG 1

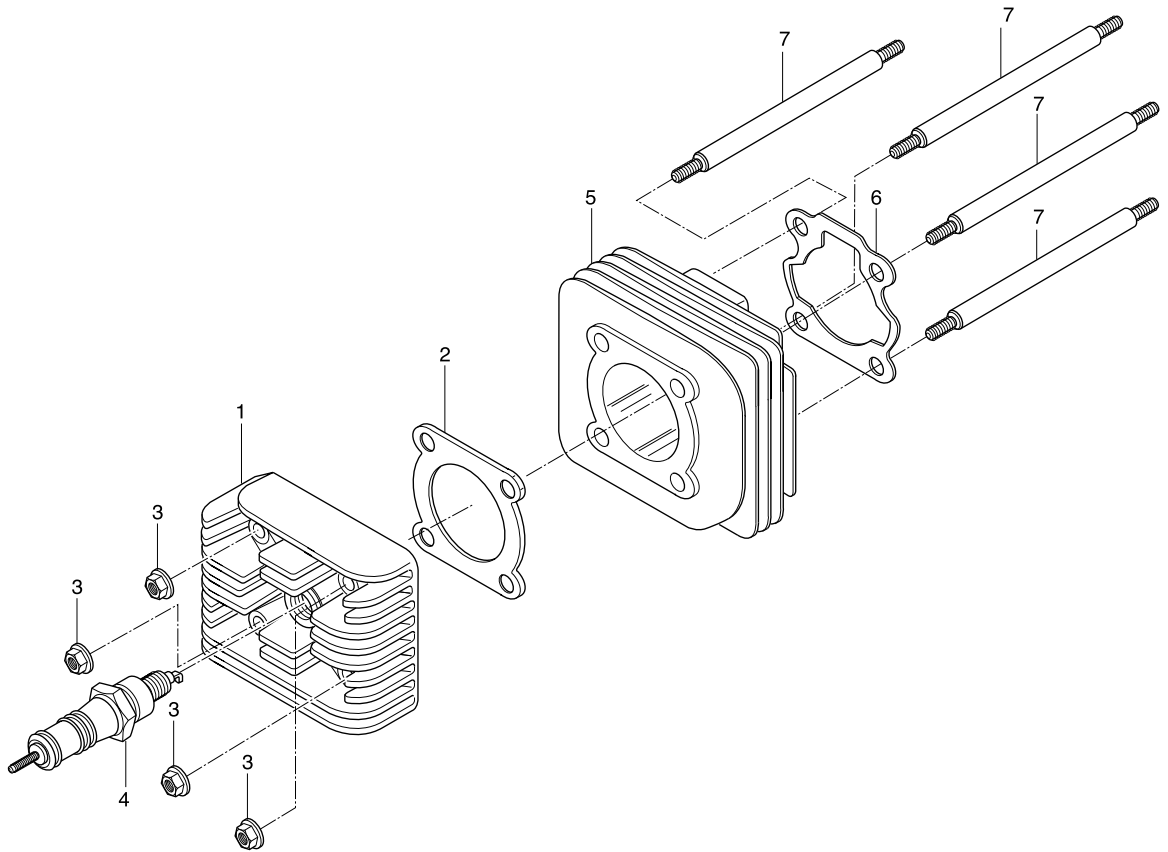


FIG 1. CYLINDER

REF PART NUMBER			PARTS NAME	Q'TY	REMARKS	REC.Q'TY (PCS)
NO.	PEU01	PG01				
1	11111HF1651	11111HF1651	11111H11200	HEAD, cylinder	1	1
2	11141-02110	11141-02110	11141-02110	GASKET, cylinder head	1	10
3	08316-16068	08316-16068	08316-16068	NUT, cylinder head (M6)	5	
4	09482-01060	09482-01060	09482-01060	SPARK PLUG (B8HS)	1	15
5	11211HG2602PCY	11211HG2602PCY	11211HG2602PCY	CYLINDER	1	5
6	11241HF1602	11241HF1602	11241HF1602	GASKET, cylinder	1	8
7	01421-06858	01421-06858	01421-06858	STUD BOLT, cylinder	4	

FIG 2

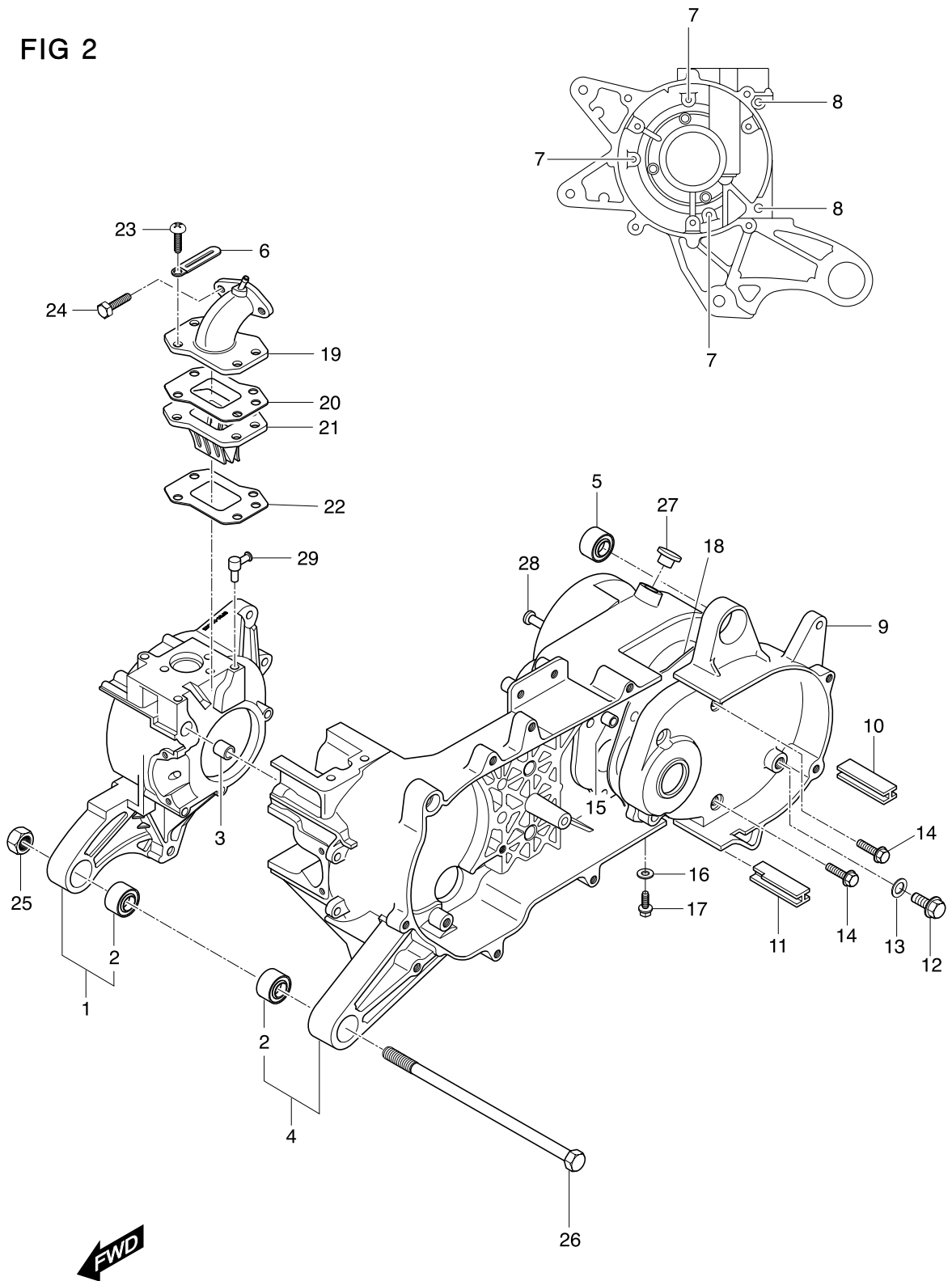


FIG 2. CRANK CASE

REF PART NUMBER			PARTS NAME	Q'TY	REMARKS	REC.Q'TY (PCS)
NO. PEU01	PG01	RAT01				
1	11311HG2650HPA	11311HG2650HPA	11311HG2650HPA	CRANKCASE, R	1	1
2	09319-10030	09319-10030	09319-10030	BUSH, engine mounting	2	
3	04213-09129	04213-09129	04213-09129	KNOCK PIN, crankcase	2	
4	11321HG2650HPA	11321HG2650HPA	11321HG2650HPA	CRANKCASE, L	1	1
5	09319-10032	09319-10032	09319-10032	BUSH, rear shock absorber	1	
6	09404-06401	09404-06401	09404-06401	CLAMP, intake pipe	2	
7	02112-06508	02112-06508	02112-06508	SCREW, crank case(M6×50)	3	
8	02112-06558	02112-06558	02112-06558	SCREW, crank case(M6×55)	2	
9	11431HN3250PCR	11431HN3250PCR	11431HN3250PCR	COVER, gear box	1	1
10	11384HG2601	11384HG2601	11384HG2601	CUSHION, clutch cover upper	1	
11	11385HG2601	11385HG2601	11385HG2601	CUSHION, clutch cover lower	1	
12	01514-08128	01514-08128	01514-08128	BOLT, oil level(M8×12)	1	
13	09168-08008	09168-08008	09168-08008	GASKET, oil level bolt	1	
14	01547-06308	01547-06308	01547-06308	BOLT, gear box cover(M6×30)	6	
15	04213-11149	04213-11149	04213-11149	KNOCK PIN, gear box cover	2	
16	09168H10003	09168H10003	09168H10003	GASKET, oil drain bolt	1	10
17	09247-100A8	09247-100A8	09247-100A8	PLUG, oil drain	1	
18	11484HG2602	11484HG2602	11484HG2602	GASKET, gear box cover	1	10
19	13110HG2600	13110HG2600	13110HG2600	PIPE COMP, intake	1	1
20	13126HF1601	13126HF1601	13126HF1601	GASKET intake pipe	2	5
21	13150HF1600	13150HF1600	13150HF1600	VALVE ASS'Y, reed	1	2
22	13125HF1601	13125HF1601	13125HF1601	GASKET, reed valve	1	5
23	02112-96256	02112-96256	02112-96256	SCREW, intake pipe(M6×25)	4	8
23-1	09139H06026	09139H06026	09139H06026	SCREW, intake pipe(M6×25)	1	
24	09128-06005	09128-06005	09128-06005	SCREW, carburetor	1	4
24-1	09139H06021	09139H06021	09139H06021	SCREW, carburetor	1	

FIG 2

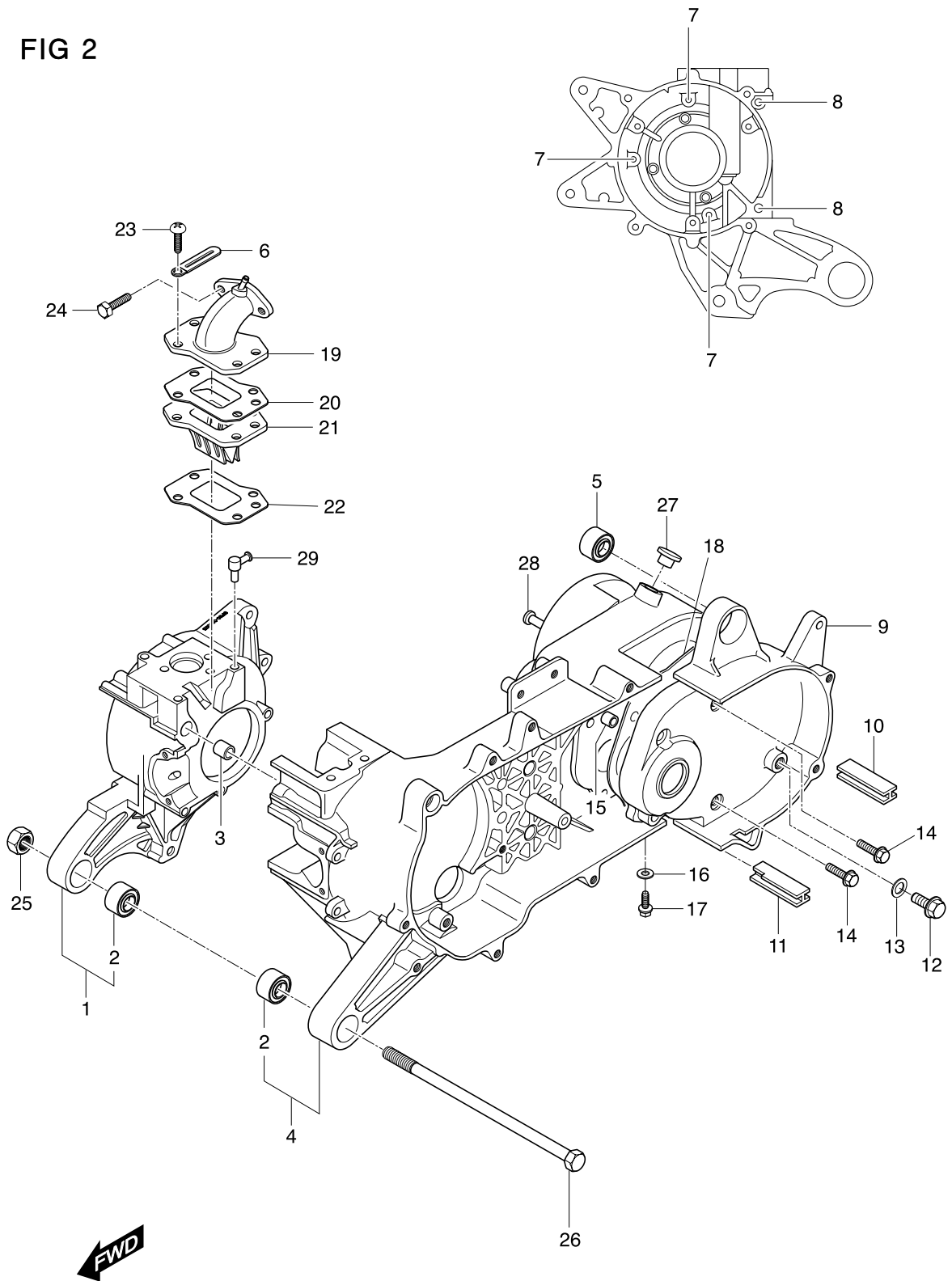


FIG 2. CRANK CASE

REF PART NUMBER			PARTS NAME	Q'TY	REMARKS	REC.Q'TY (PCS)
NO.	PEU01	PG01				
25	08316-26108	08316-26108	08316-26108	NUT, engine mount		1
26	09103H10132	09103H10132	09103H10132	BOLT, engine mount(M10)		1
27	09250H11005	09250H11005	09250H11005	PLUG, oil filler		1
28	64231-07903	64231-07903	64231-07903	PIN, rear brake anchor		1
29	16910-09401	16910-09401	16910-09401	UNION COMP		1
30	13127HG2650	13127HG2650		PLATE,INTAKE PIPE		1

FIG 3

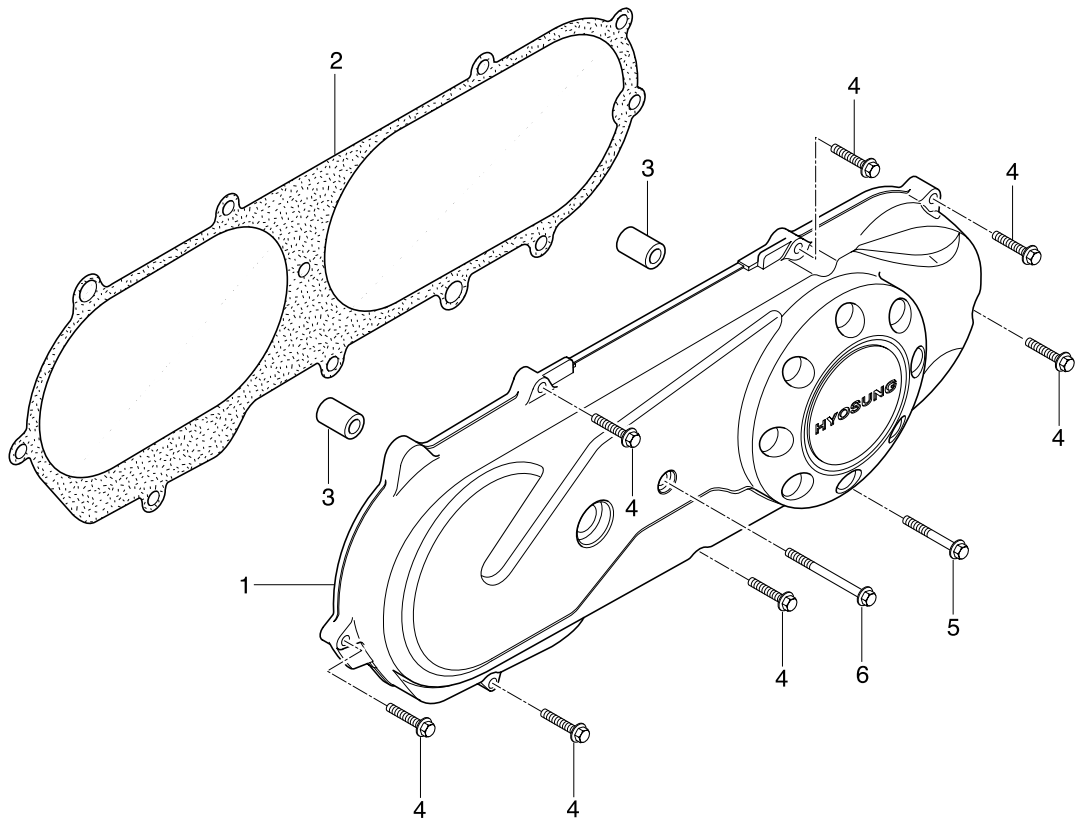


FIG 3. CLUTCH COVER

REF PART NUMBER			PARTS NAME	Q'TY	REMARKS	REC.Q'TY (PCS)
NO.	PEU01	PG01				
1	11341HG260303P	11341HG260303P	11341HG260303P	COVER, clutch	1	1
2	11482HG2601	11482HG2601	11482HG2601	GASKET, clutch cover	1	10
3	04213-11149	04213-11149	04213-11149	KNOCK PIN, clutch cover	2	
4	01547-06258	01547-06258	01547-06258	BOLT, clutch cover(M6×25)	12	
4-1	09139H06026	09139H06026	09139H06026	SCREW,CLUTCH COVER	1	
5	01547-06358	01547-06358	01547-06358	BOLT, clutch cover(M6×35)	1	
6	01547-06608	01547-06608	01547-06608	BOLT, clutch cover(M6×60)	1	

FIG 4

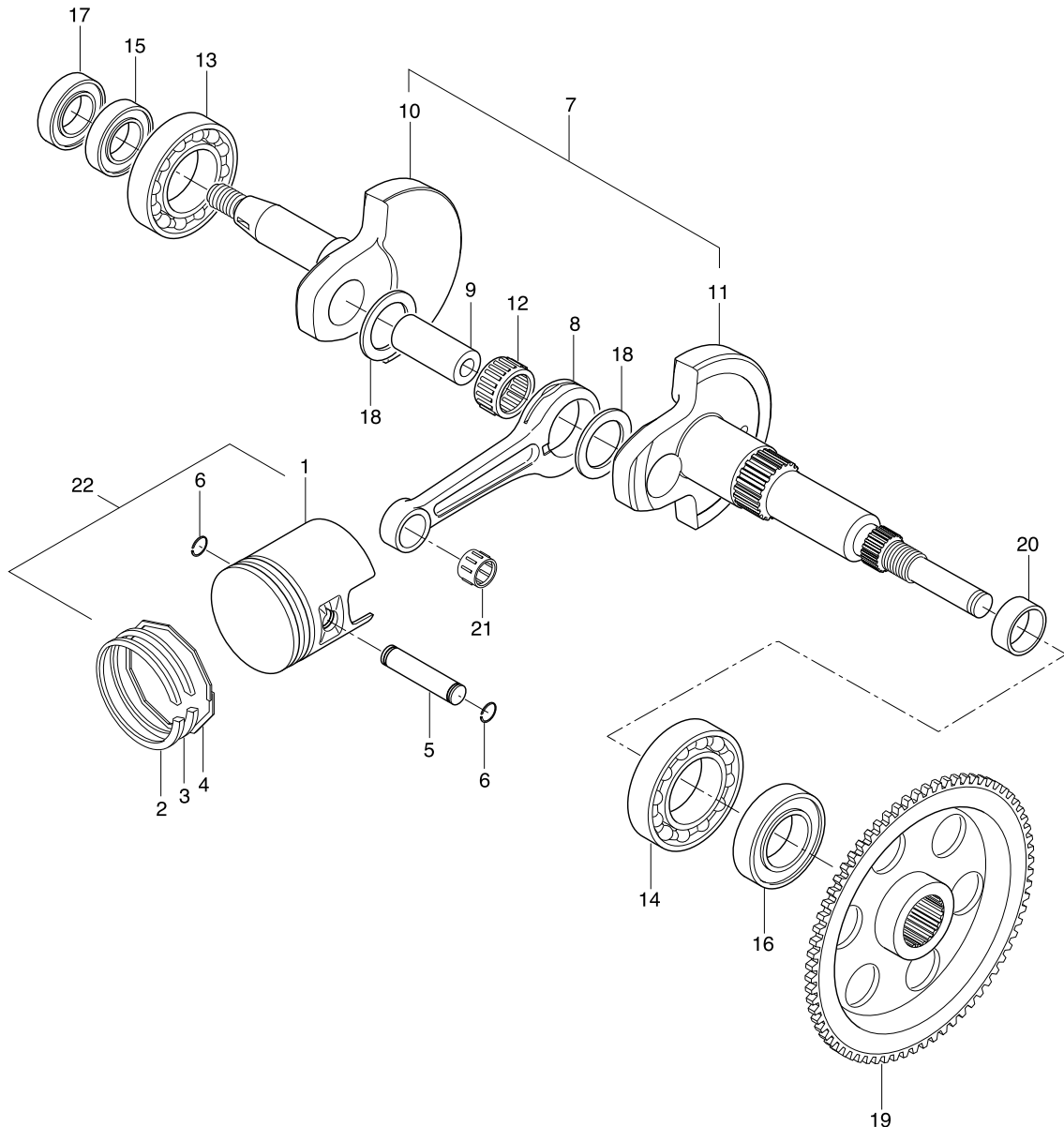


FIG 4. CRANK SHAFT

REF PART NUMBER			PARTS NAME	Q'TY	REMARKS	REC.Q'TY (PCS)
NO. PEU01	PG01	RAT01				
1	12110H11214PSA	12110H11214PSA	12110H11214PSA	PISTON COMP	1	7
2	12141-35010	12141-35010	12141-35010	RING, piston 1st	1	10
3	12142-29C10	12142-29C10	12142-29C10	RING, piston 2nd	1	10
4	12149-29C10	12149-29C10	12149-29C10	RING, piston expander	1	10
5	12151-46501	12151-46501	12151-46501	PIN, piston	1	3
6	09381-10006	09381-10006	09381-10006	CIRCLIP, piston pin	2	10
7	12200HG2600HPA	12200HG2600HPA	12200HG2600HPA	SHAFT ASS'Y, crank	1	1
8	12161-37B02	12161-37B02	12161-37B02	ROD, connecting	1	5
9	12211H11201888	12211H11201888	12211H11201888	PIN, crank	1	
10	12221HG2600CSA	12221HG2600CSA	12221HG2600CSA	CRANKSHAFT, R	1	
11	12261H11A00CSA	12261H11A00CSA	12261H11A00CSA	CRANKSHAFT, L	1	
12	09263H16004	09263H16004	09263H16004	BEARING, crank pin	1	
13	09262H250A2	09262H250A2	09262H250A2	BEARING, crankshaft R(28×68×18)	1	6
14	09262H250A2	09262H250A2	09262H250A2	BEARING, crankshaft L(28×68×18)	1	6
15	09284-20051	09284-20051	09284-20051	OIL SEAL, crankshaft R No. 1(20×42×6)	1	3
16	09283-25083	09283-25083	09283-25083	OIL SEAL, crankshaft L(23.9×37×6)	1	4
17	09283-25083	09283-25083	09283-25083	OIL SEAL, crankshaft R No. 2(23.9×37×6)	1	4
18	09160H16040	09160H16040	09160H16040	THRUST WASHER, connecting rod	2	
19	12620HG2600	12620HG2600	12620HG2600	GEAR COMP, starter driven	1	1
20	09180H18005	09180H18005	09180H18005	SPACER, crankshaft oil seal	1	
21	09263H10003	09263H10003	09263H10003	BEARING, piston pin(10×14×12.5)	1	3
22	12110S11214HPA	12110S11214HPA	12110S11214HPA	PISTON ASS'Y	1	

FIG 5

1

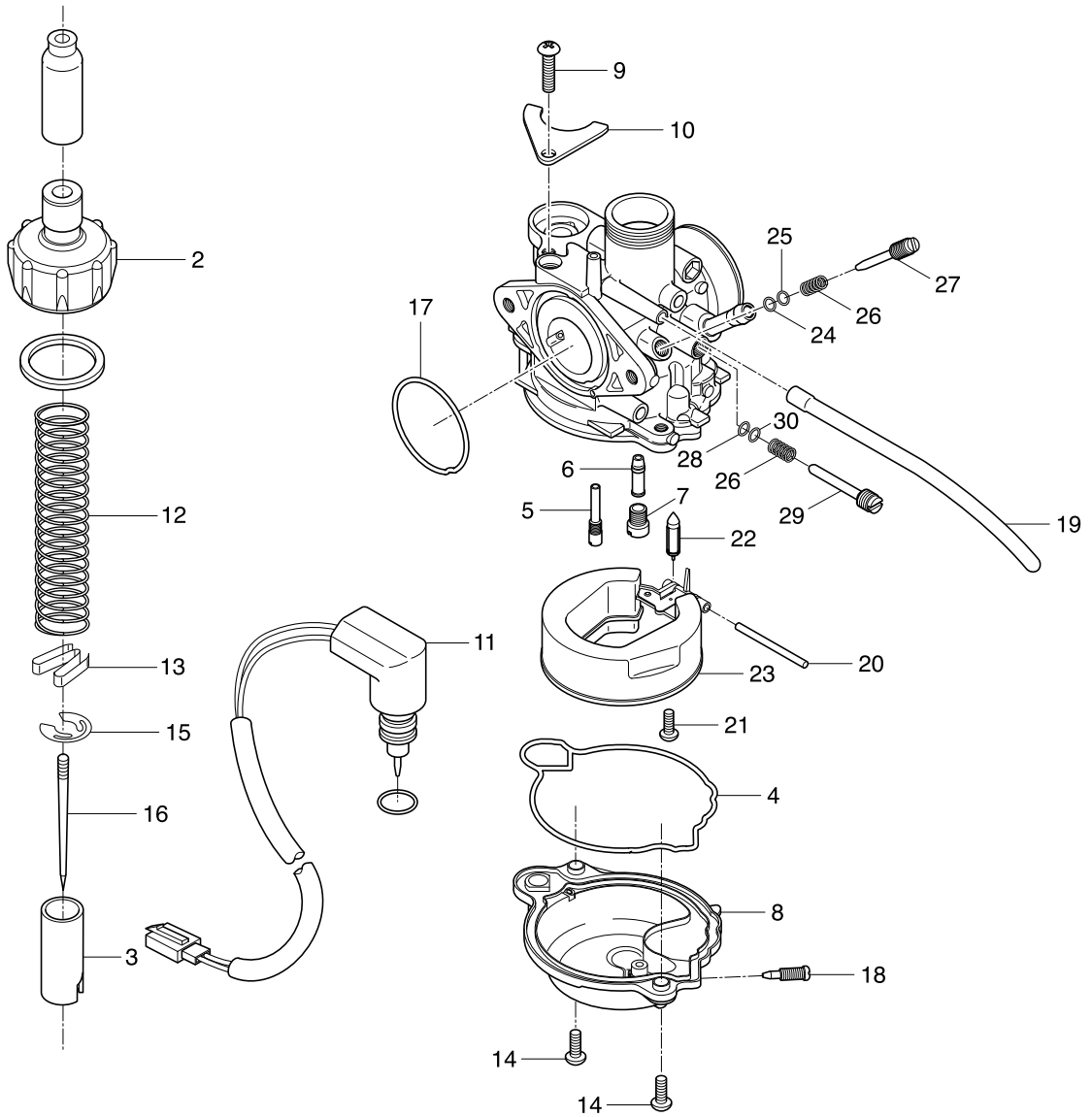
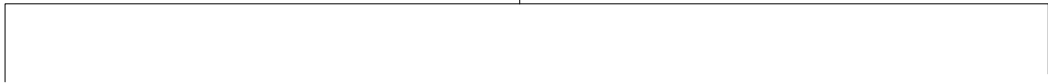


FIG 5. CARBURETOR

REF PART NUMBER			PARTS NAME	Q'TY	REMARKS	REC.Q'TY (PCS)
NO. PEU01	PG01	RAT01				
1	13091HN3251	13091HN3251	13091HG2650	CARBURETOR ASS'Y	1	3
2	13681HG2600	13681HG2600	13681HG2600	CAP,carburetor top	1	
3	13551HG2630	13551HG2630	13551HG2630	VALVE,piston(CA)	1	
4	13258HG2600	13258HG2600	13258HG2600	O-RING	1	
5	09492H27030	09492H27030	09492H27030	JET,pilot(PJ)	1	
6	09494H00030	09494H00030	09494H00030	JET,needle(NJ)	1	
7	09491H65001	09491H65001	09491H65001	JET,main(MJ)	1	
8	13245HG2600	13245HG2600	13245HG2600	BODY ASS'Y,float	1	
9	13602-05108	13602-05108	13602-05108	SCREW(M5 X 10)	1	
10	13557HG2600	13557HG2600	13557HG2600	PLATE	1	
11	13411HG2600	13411HG2600	13411HG2600	PLUNGER ASS'Y	1	
12	13573HG2600	13573HG2600	13573HG2600	SPRING	1	
13	09408H00001	09408H00001	09408H00001	CLIP	1	
14	13601-05148	13601-05148	13601-05148	SCREW	2	
15	13394HG2600	13394HG2600	13394HG2600	E-RING	1	
16	13383HG2630	13383HG2630	13383HG2630	NEEDLE,jet(JN)	1	
17	13278HG2600	13278HG2600	13278HG2600	O-RING	1	
18	13247-13A00	13247-13A00	13247-13A00	SCREW	1	
19	13684HG2600	13684HG2600	13684HG2600	HOSE(5 X 8 X 125)	1	
20	13254HG2600	13254HG2600	13254HG2600	PIN	1	
21	13602-04088	13602-04088	13602-04088	SCREW	1	
22	13370HG2600	13370HG2600	13370HG2600	VALVE ASS'Y,needle(VS)	1	
23	13250-29C50	13250-29C50	13250-29C50	FLOAT ASS'Y	1	

FIG 5

1

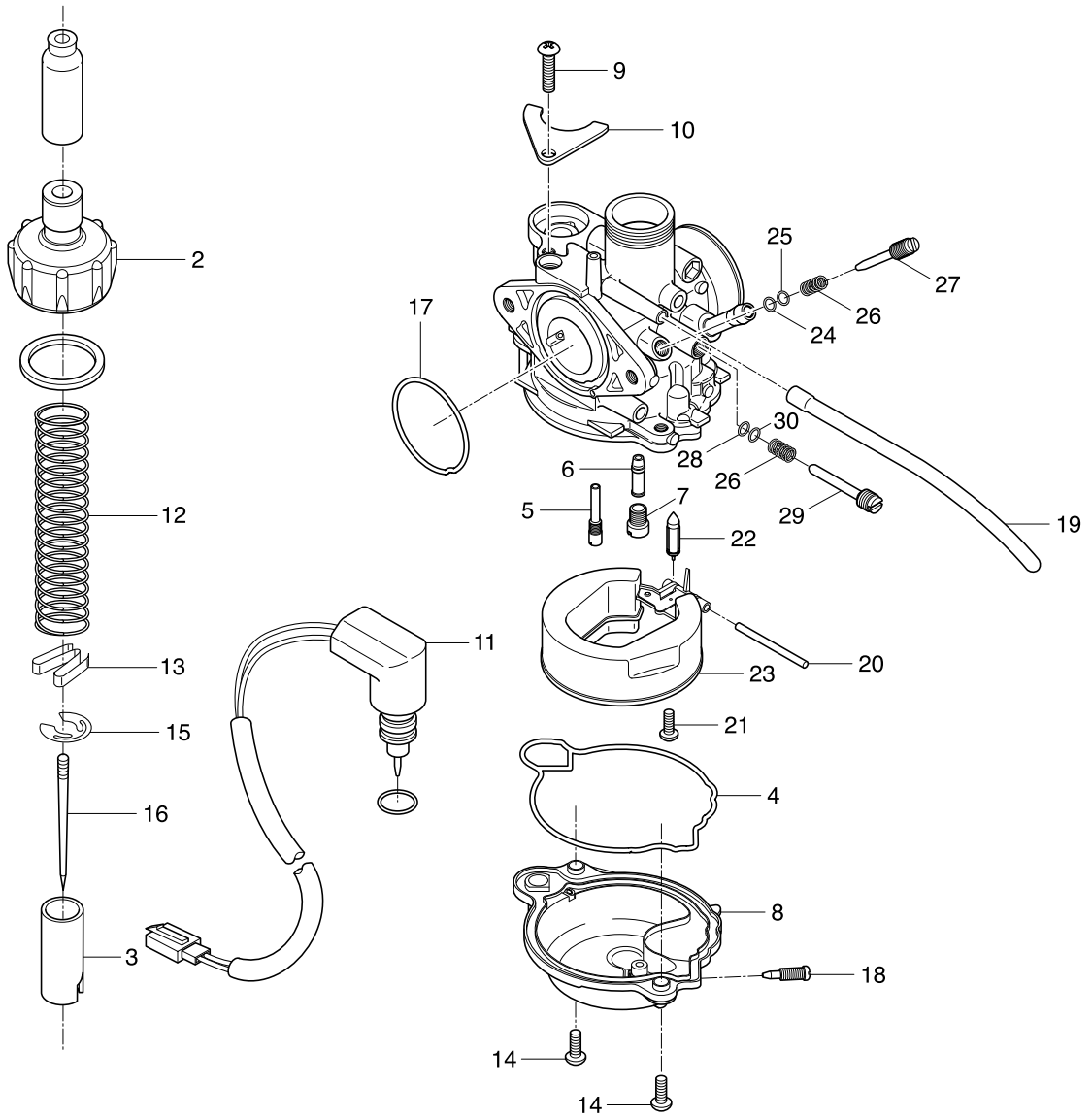
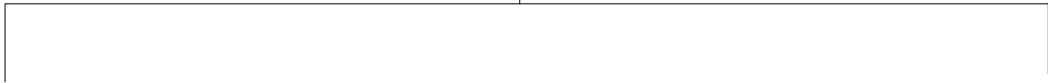


FIG 5. CARBURETOR

REF PART NUMBER			PARTS NAME	Q'TY	REMARKS	REC.Q'TY (PCS)
NO. PEU01	PG01	RAT01				
24	13295-29900	13295-29900	13295-29900	O-RING		1
25	13606-47A00	13606-47A00	13606-47A00	WASHER		1
26	13268-35010	13268-35010	13268-35010	SPRING		2
27	13279HG2600	13279HG2600	13279HG2600	ADJUSTER(AS)		1
28	13295-33010	13295-33010	13295-33010	O-RING		1
29	13267HG2600	13267HG2600	13267HG2600	SCREW,adjuster		1
30	13291-35010	13291-35010	13291-35010	WASHER		1
31	13692-36C00	13692-36C00	13692-36C00	HEAT CARBURETOR		1
32	13694-40D00	13694-40D00	13694-40D00	THERMO SW CARB		1

FIG 6

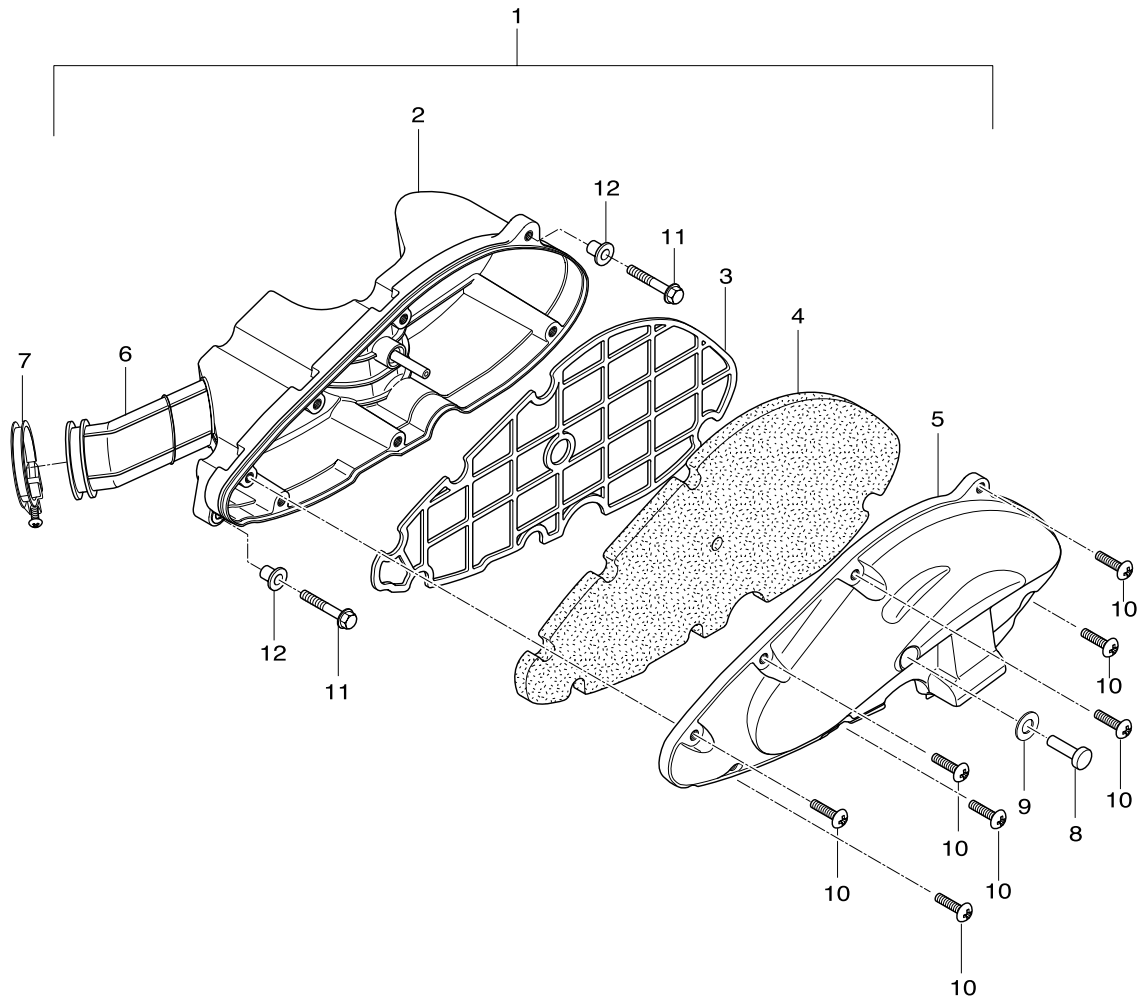
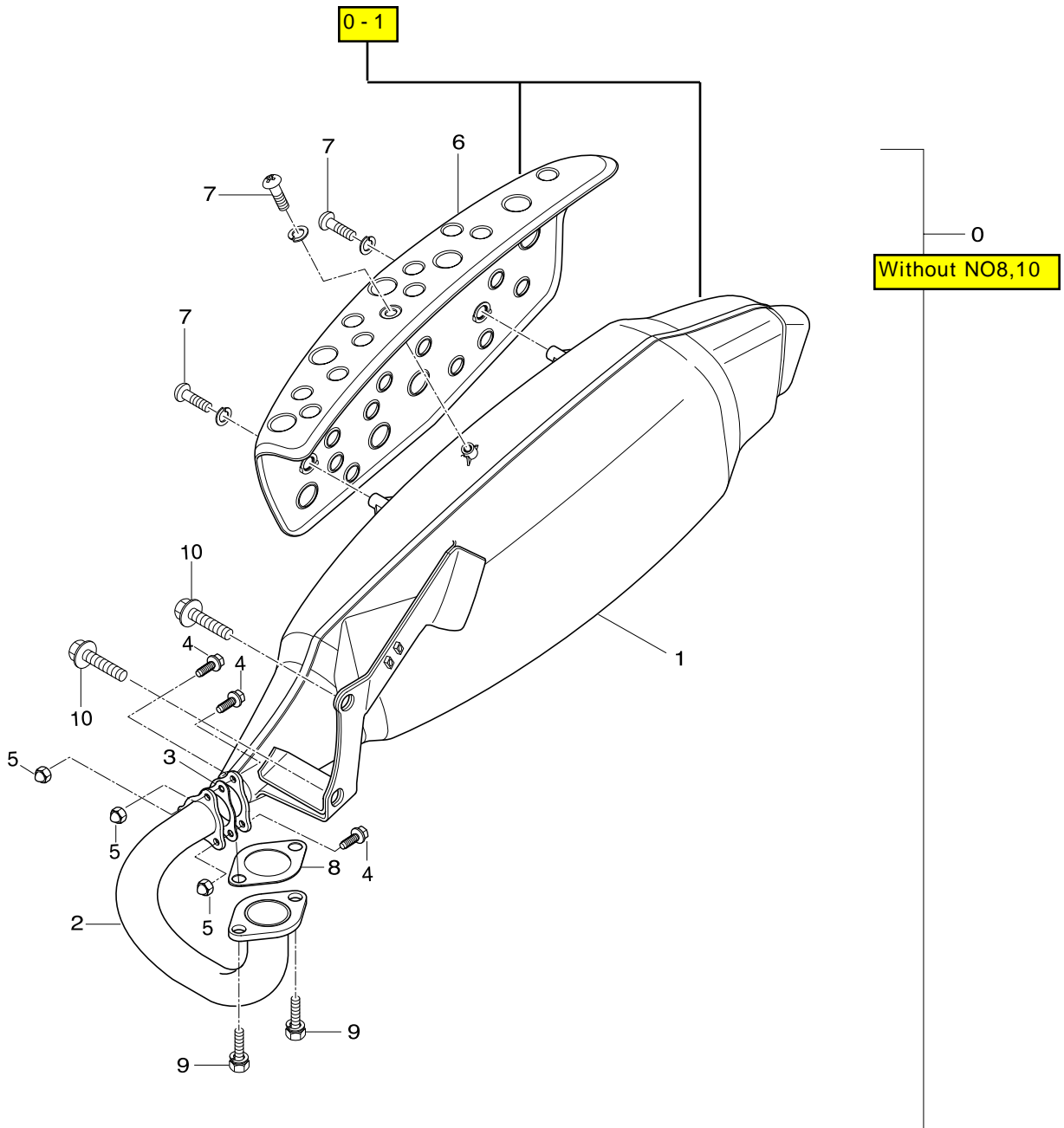


FIG 6. AIR CLEANER

REF PART NUMBER			PARTS NAME	Q'TY	REMARKS	REC.Q'TY (PCS)
NO. PEU01	PG01	RAT01				
1	13700HG2603	13700HG2603	13700HG2603	CLEANER ASS'Y, air	1	3
2	13720HG2603	13720HG2603	13720HG2603	CASE COMP, air cleaner	1	
3	13751HG2601	13751HG2601	13751HG2601	TRAP, air cleaner	1	
4	13781HG2601	13781HG2601	13781HG2601	FILTER, air cleaner	1	
5	13740HG2603	13740HG2603	13740HG2603	CAP COMP, air cleaner	1	
6	13881HG2601	13881HG2601	13881HG2601	TUBE, outlet	1	
7	09402-42207	09402-42207	09402-42207	CLAMP, outlet cleaner	1	
8	03151-06258	03151-06258	03151-06258	SCREW, air cleaner cap(M6×25)	1	
9	09169H06048	09169H06048	09169H06048	WASHER, air cleaner cap	1	
10	02142-05165	02142-05165	02142-05165	SCREW, air cleaner cap(M5×16)	7	
11	01547-06303	01547-06303	01547-06303	BOLT, air cleaner(M3×30)	2	
12	13725HF4500	13725HF4500	13725HF4500	COLLAR, air cleaner	2	

FIG 7



- 11. 18500HN3250 VALVE ASS'Y, 2nd air U/S 1
- 12. 18631HN3250 HOSE, 2nd air valve U/S 2
- 13. 18610HN3251PAM PIPE COMP, 2nd air U/S 1
- 14. 02142-06203 SCREW U/S 2
- 15. 02142-06165 SCREW U/S 2



FIG 7. MUFFLER

REF PART NUMBER			PARTS NAME	Q'TY	REMARKS	REC.Q'TY (PCS)
NO. PEU01	PG01	RAT01				
0	14300HN3230PAH	14300HN3230PAH	MUFFLER ASS'Y	1		
0-1			14310HG2661PAH MUFFLER ASS'Y	1		
1	14310HN3252PAM	14310HN3252PAM	14310HG2661PAM BODY COMP, muffler	1		5
2	14150HN3250PAM	14150HN3250PAM	PIPE, exhaust pipe	1		
3	14182HN3200	14182HN3200	GASKET, exhaust connector flange	1		
4	01107-06168	01107-06168	BOLT, exhaust connector flange	2		
5	08313-11068	08313-11068	NUT, exhaust connector flange	2		
6	14781HG2601PLA	14781HG2601PLA	14781HG2601PLA COVER COMP, muffler	1		5
7	02112-36105	02112-36105	02112-36108 SCREW, muffler cover(M6×10)	3		
8	14181HG2600	14181HG2600	14181HG2600 GASKET, exhaust pipe	1		8
9	01137-06258	01137-06258	01137-06258 BOLT, exhaust pipe(M6×25)	1		
9-1	09139H06021	09139H06021	09139H06021 SCREW,EX PIPE	2		
10	01177-08268	01177-08268	01177-08268 BOLT, support bracket(M8×26)	2		
11	18500HN3250	18500HN3250	VALVE ASS'y, 2nd air	1		
12	18631HN3250	18631HN3250	HOSE, 2nd air valve	2		
13	18610HN3251PAM	18610HN3251PAM	PIPE COMP, 2nd air	1		
14	02142-06203	02142-06203	SCREW	2		
15	02142-06165	02142-06165	SCREW	2		

FIG 8

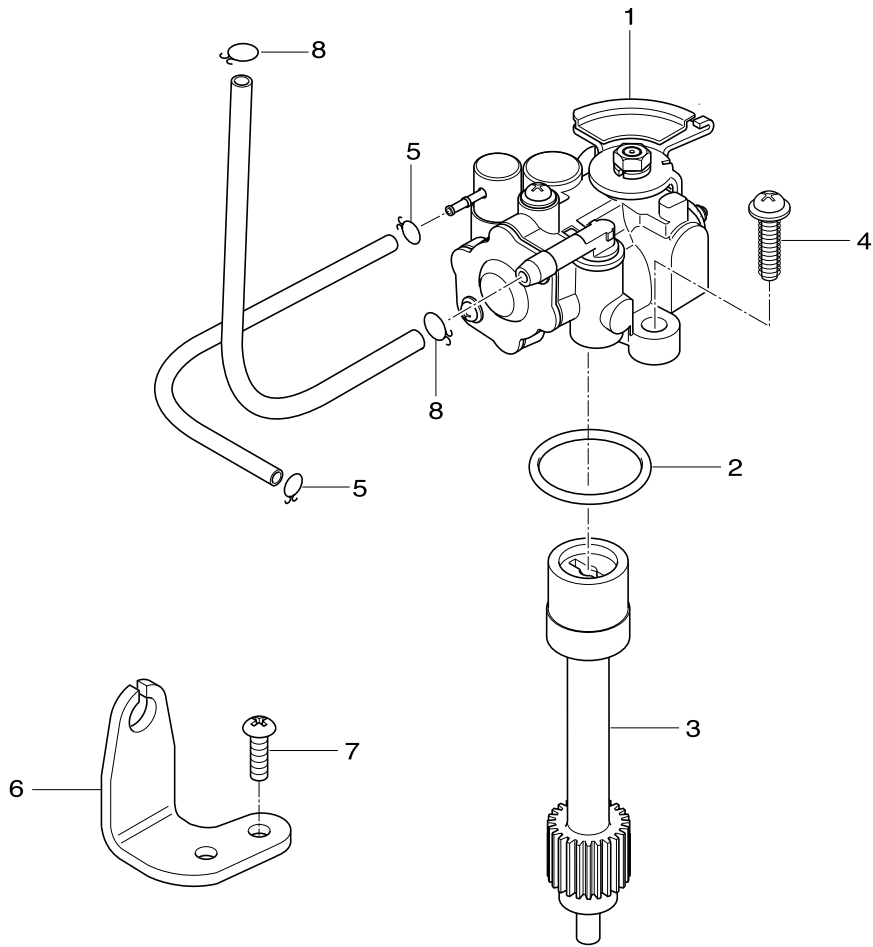


FIG 8. OIL PUMP

REF PART NUMBER			PARTS NAME	Q'TY	REMARKS	REC.Q'TY (PCS)
NO. PEU01	PG01	RAT01				
1	16100HG2601	16100HG2601	16100HG2601	PUMP ASS'Y, oil		2
2	09280H20002	09280H20002	09280H20002	O-RING, oil pump		4
3	16331H11200	16331H11200	16331H11200	GEAR, oil pump pinion NT:30		
4	02112-35168	02112-35168	02112-35168	SCREW, oil pump(M5×16)		
5	09401-04401	09401-04401	09401-04401	CLIP, oil hose No.1		
6	16631HG2600	16631HG2600	16631HG2600	BRACKET, oil pump cable adjust		
7	02112-06128	02112-06128	02112-06128	SCREW, oil pump bracket		
8	09401-08401	09401-08401	09401-08401	CLIP, oil hose No2		

FIG 9

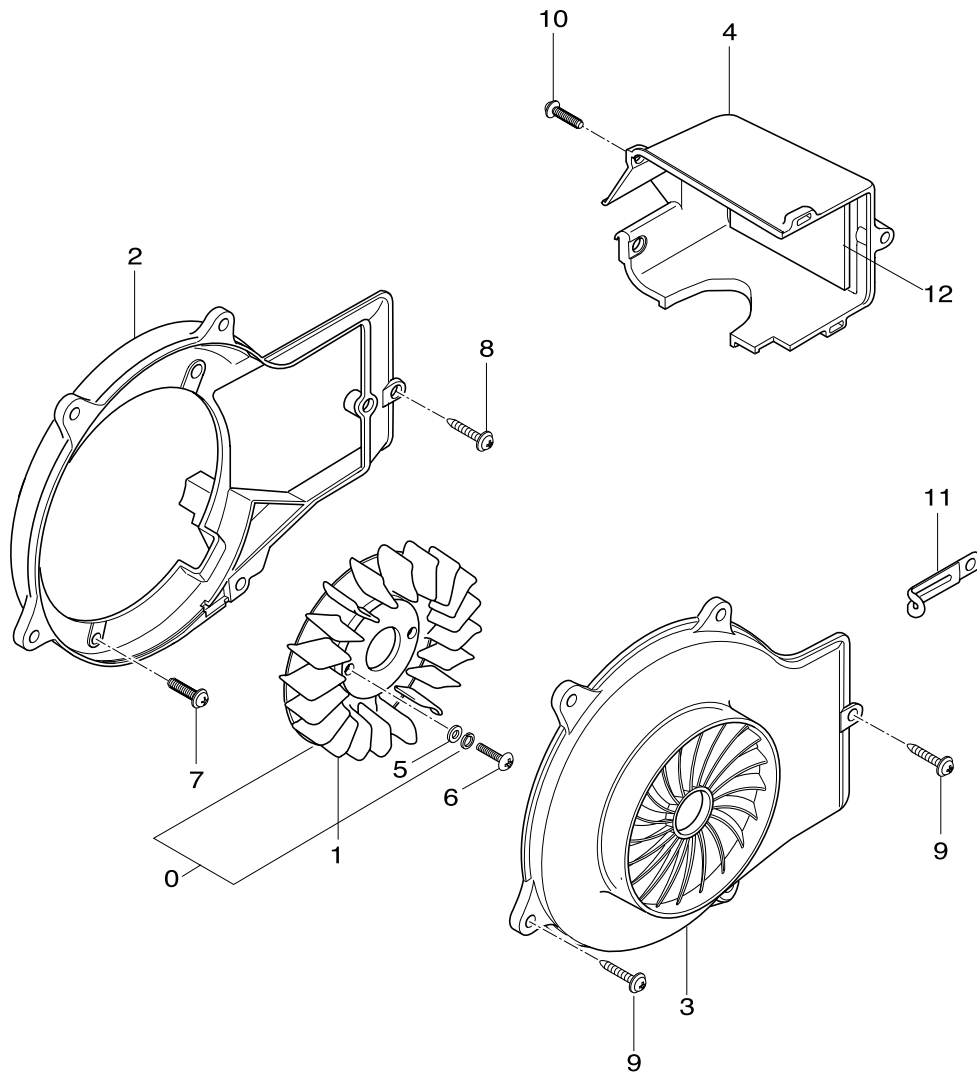


FIG 9. COOLING FAN

REF PART NUMBER			PARTS NAME	Q'TY	REMARKS	REC.Q'TY (PCS)
NO. PEU01	PG01	RAT01				
0	17110H11200	17110H11200	17110H11200	FAN COMP, cooling		2
1	17111H11200	17111H11200	17111H11200	FAN, cooling	NOT SALE	
2	17140HG2600	17140HG2600	17140HG2600	CASE COMP, fan		2
3	17130HG2601	17130HG2601	17130HG2601	COWLING COMP, fan		2
4	17120HG2601	17120HG2601	17120HG2601	COWLING COMP, cylinder		2
5	17134-02900	17134-02900	17134-02900	SPACER	NOT SALE	
6	02112-96168	02112-96168	02112-96168	SCREW(M6×12)		
7	02152-06168	02152-06168	02152-06168	SCREW(M6×16)		
8	03151-06205	03151-06205	03151-06205	SCREW(M6×20)		
9	03151-06205	03151-06205	03151-06205	SCREW(M6×16)		
10	02112-96168	02112-96168	02112-96168	SCREW		
11	09404-06401	09404-06401	09404-06401	CLAMP		
12	17122H11200	17122H11200	17122H11200	CUSHION		

FIG 10

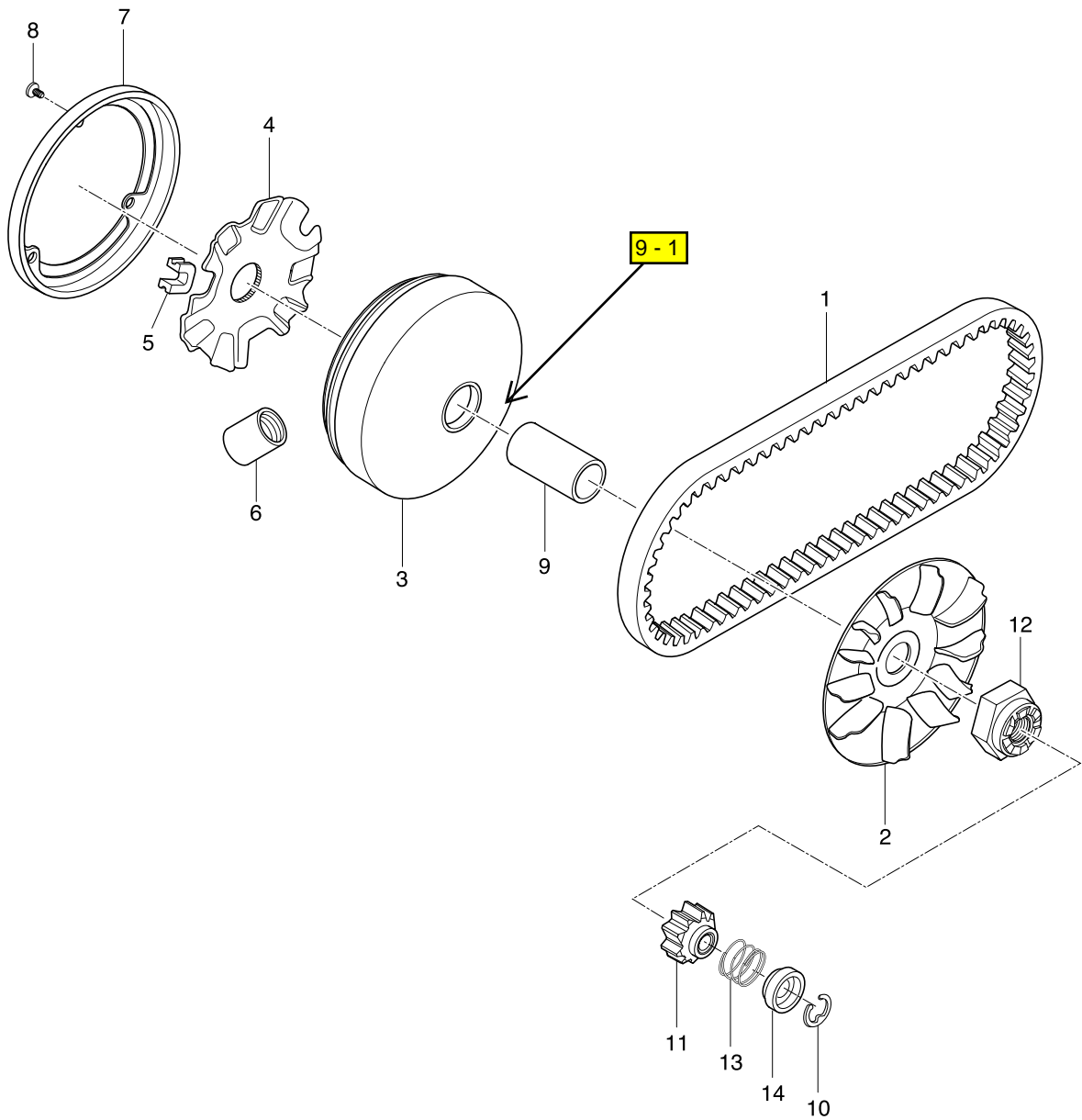


FIG 10. TRANSMISSION[1]

REF PART NUMBER			PARTS NAME	Q'TY	REMARKS	REC.Q'TY (PCS)
NO. PEU01	PG01	RAT01				
1	27601HG2600	27601HG2600	27601HG2600	V-BELT, drive	1	6
2	21110H11A02	21110H11A02	21110H11A02	FACE COMP, fixed drive	1	3
3	21120HE7100	21120HE7100		FACE COMP, movable drive	0	~KM4CA14C351115922
3-1	21120HG2650	21120HG2650	21120HG2650	FACE COMP, movable drive	1	KM4CA14C351115923 ~
	21120HE7100 and 21120HG2650 is compatible.					
4	21431HE7100	21431HE7100	21431HE7100	PLATE, movable drive	1	
5	21481HE7100	21481HE7100	21481HE7100	DAMPER, movable drive face plate	3	15
6	21650HG2600HPA	21650HG2600HPA	21650HG2600HPA	ROLLER MOVABLE DRIVE ASS'Y	6	18
7	21122-37B01	21122-37B01		COVER, movable drive face	0	~KM4CA14C351115922
8	02142-04108	02142-04108		SCREW, movable drive face(M4×10)	0	~KM4CA14C351115922
9	09180H16022	09180H16022	09180H16022	SPACER, movable drive	1	
9-1	09180H22020	09180H22020	09180H22020	SPACER, movable drive	1	
10	08332-11079	08332-11079	08332-11079	E-RING, kick starter driven spacer	1	
11	26280-29C00	26280-29C00	26280-29C00	GEAR COMP, kick starter driven NT:9	1	2
12	26282H11A00	26282H11A00	26282H11A00	NUT, kick starter driven(M12)	1	2
13	09440H14007	09440H14007	09440H14007	SPRING, kick starter driven	1	
14	26283H11200	26283H11200	26283H11200	SPACER, kick starter driven	1	

FIG 11

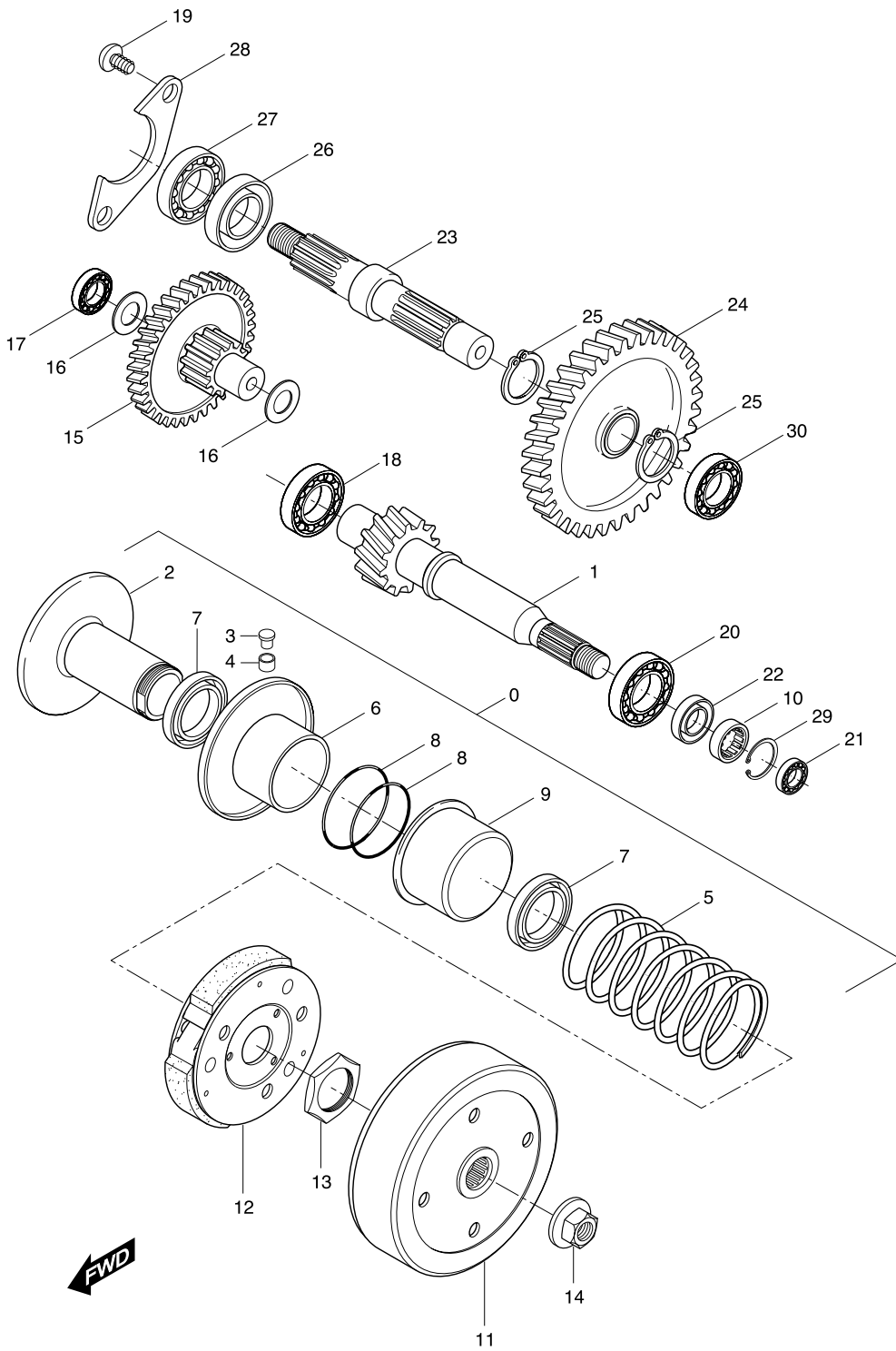


FIG 11. TRANSMISSION[2]

REF PART NUMBER			PARTS NAME	Q'TY	REMARKS	REC.Q'TY (PCS)
NO. PEU01	PG01	RAT01				
0	21091HG2601	21091HG2601	21091HG2601	PULLEY SET, driven	1	
1	24111H11223	24111H11223	24111H11223	SHAFT, drive 14T	1	2
2	21210-09E02	21210-09E02	21210-09E02	FACE COMP, fixed driven	1	2
3	09201H06002	09201H06002	09201H06002	PIN, movable driven	3	
4	09180H06042	09180H06042	09180H06042	SPACER, movale driven pin	3	
5	09440H52003	09440H52003	09440H52003	SPRING	1	
6	21240HG2600	21240HG2600	21240HG2600	FACE COMP, movable driven	1	
7	09284-34002	09284-34002	09284-34002	OIL SEAL, movable driven (34x39x4)	2	
8	09280-41005	09280-41005	09280-41005	O-RING, movable driven (39.x1.6)	2	
9	21471-03A03	21471-03A03	21471-03A03	SHEET, movable driven face	1	
10	09263H17001	09263H17001	09263H17001	BEARING, fixed driven R (17x25x10)	1	3
11	21220-04C12	21220-04C12	21220-04C12	HOUSIGN COMP, clutch	1	5
12	21501HG2600	21501HG2600	21501HG2600	CLUTCH ASS'Y, shoe (NA)	1	5
13	09140H28004	09140H28004	09140H28004	NUT(M28)	1	
14	08316-26108	08316-26108	08316-26108	NUT(M10)	1	
15	24310H11A01HPA	24310H11A01HPA	24310H11A01HPA	GEAR ASS'Y, counter driven	2	
16	09160-15034	09160-15034	09160-15034	THRUST WASHER, counter shaft R	2	
17	08113-62010	08113-62010	08113-62010	BEARING (12x32x10)	1	3
18	08113-62020	08113-62020	08113-62020	BEARING (15x35x11)	1	3
19	02122-06168	02122-06168	02122-06168	SCREW, retainer(M6x16)	2	
20	09262H17001	09262H17001	09262H17001	BEARING (17x47x14)	1	3
21	08120H69017	08120H69017	08120H69017	BEARING (12x24x6)	1	
22	09283H17002	09283H17002	09283H17002	OIL SEAL (17x27x5)	1	
23	24141HG2600	24141HG2600	24141HG2600	SHAFT, rear axle	1	2

FIG 11

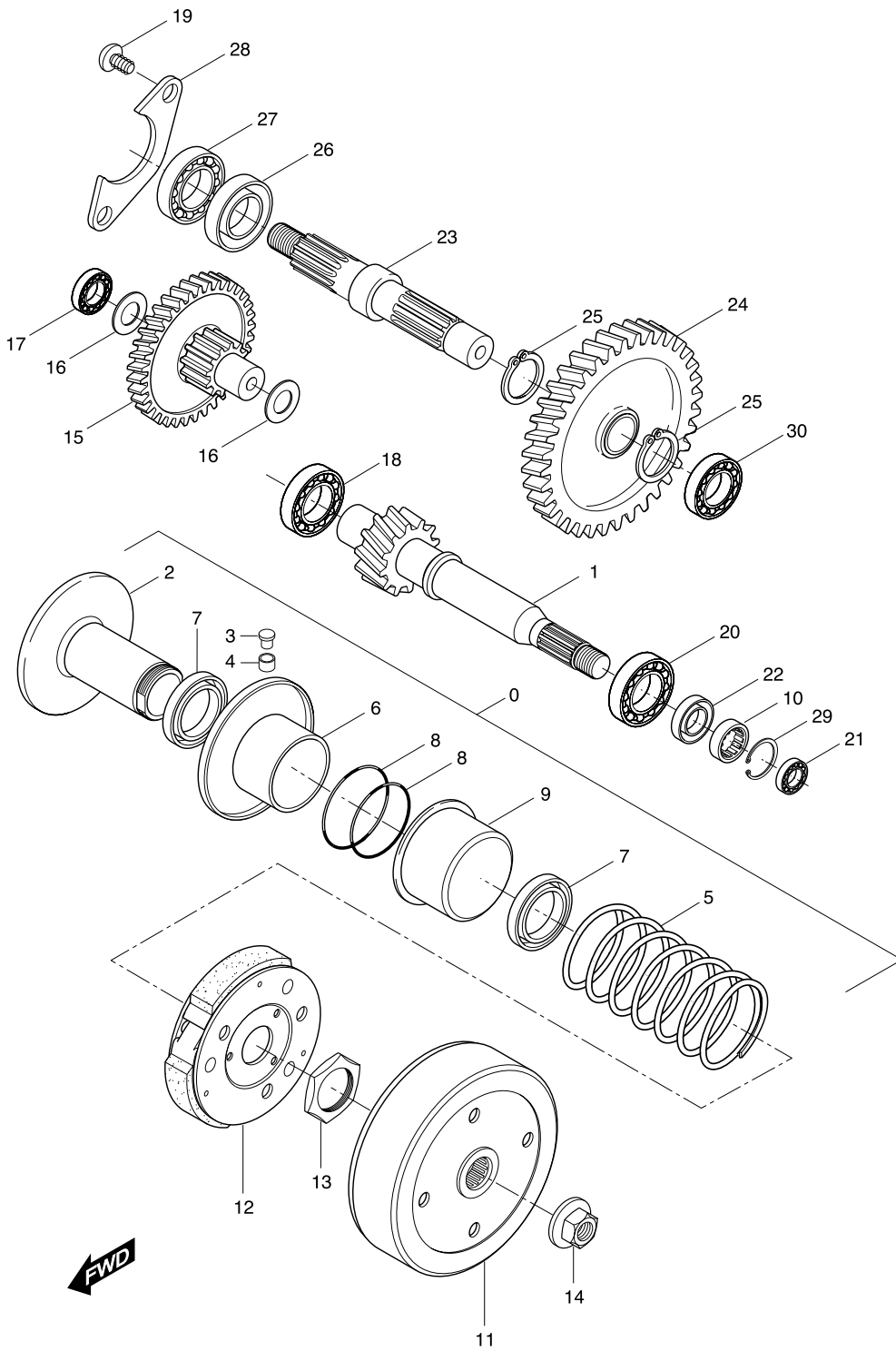


FIG 11. TRANSMISSION[2]

REF PART NUMBER			PARTS NAME	Q'TY	REMARKS	REC.Q'TY (PCS)
NO. PEU01	PG01	RAT01				
24	24331H11220	24331H11220	24331H11220	GEAR, final (40T)		1
25	08331-31229	08331-31229	08331-31229	CIRCLIP		2
26	09283-27010	09283-27010	09283-27010	OIL SEAL (27x40x7)		1
27	08130-62047	08130-62047	08130-62047	BEARING (20x47x14)		1
28	24751H07900	24751H07900	24751H07900	RETAINER		1
29	08331-41249	08331-41249	08331-41249	CIRCLIP		1
30	08113-62030	08113-62030	08113-62030	BEAREING (17x40x12)		1

FIG 12

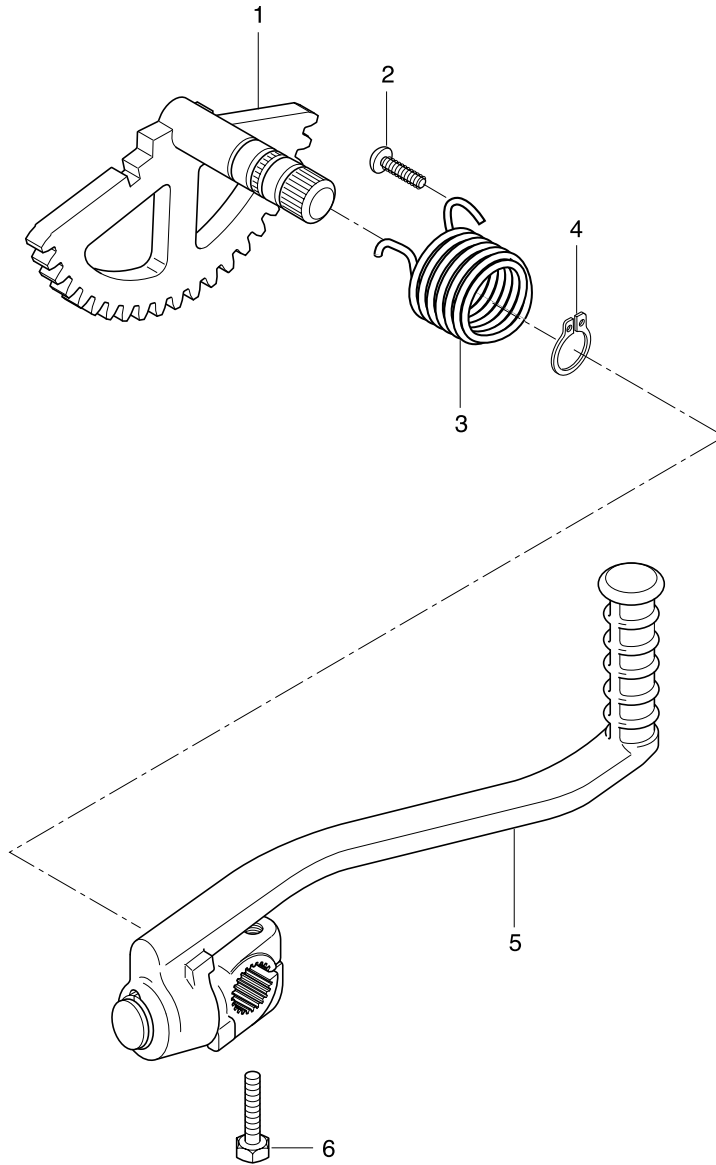


FIG 12. KICK STARTER

REF PART NUMBER			PARTS NAME	Q'TY	REMARKS	REC.Q'TY (PCS)
NO.	PEU01	PG01				
1	26210HF1601	26210HF1601	26210HF1601	SHAFT COMP, kick starter	1	1
2	02142-06108	02142-06108	02142-06108	SCREW(M6×10)	1	
3	09448-58003	09448-58003	09448-58003	SPRING	1	
4	08331-31149	08331-31149	08331-31149	CLRCLIP	1	
5	26300-41D00	26300-41D00	26300-41D00	LEVER ASS'Y, kick starter	1	1
6	01107-06208	01107-06208	01107-06208	BOLT, kick starter lever(M6×20)	1	

FIG 13. STARTING MOTOR

REF PART NUMBER			PARTS NAME	Q'TY	REMARKS	REC.Q'TY (PCS)
NO.	PEU01	PG01				
1	31100H11A02	31100H11A02	31100H11A02	MOTOR ASS'Y, starting	1	5
2	31370H11200	31370H11200	31370H11200	PINION GEAR ASS'Y	1	5
3	02112-06608	02112-06608	02112-06608	SCREW, starting motor mounting (M6×60)	2	
4	31131-02100	31131-02100	31131-02100	BRUSH SET	1	
5	31156-02100	31156-02100	31156-02100	O-RING	1	
6	31158-02540	31158-02540	31158-02540	GASKET	1	
7	31158-02100	31158-02100	31158-02100	O-RING	1	
8	31151-02540	31151-02540	31151-02540	SCREW B(M4X14)	2	
9	31151-02100	31151-02100	31151-02100	SCREW A(M4X30)	3	
10	31132H51600	31132H51600	31132H51600	HOLDER	1	
11	31151-02100	31151-02100	31151-02100	LEAD WIRE	1	
12	31152-02540	31152-02540	31152-02540	SCREW	1	
13	09404-06403	09404-06403	09404-06403	CLAMP	1	
14	31120H51600	31120H51600	31120H51600	COVER, starting motor	1	
15	31311H11200	31311H11200	31311H11200	ARMATURE	1	

FIG 14

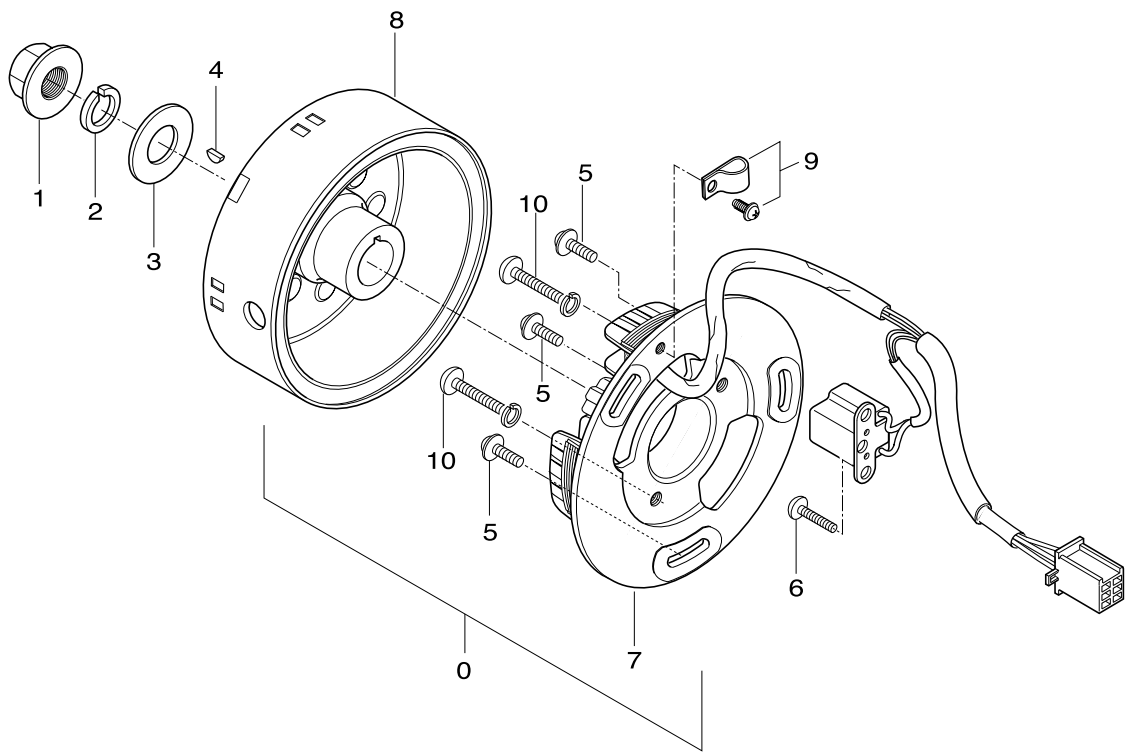
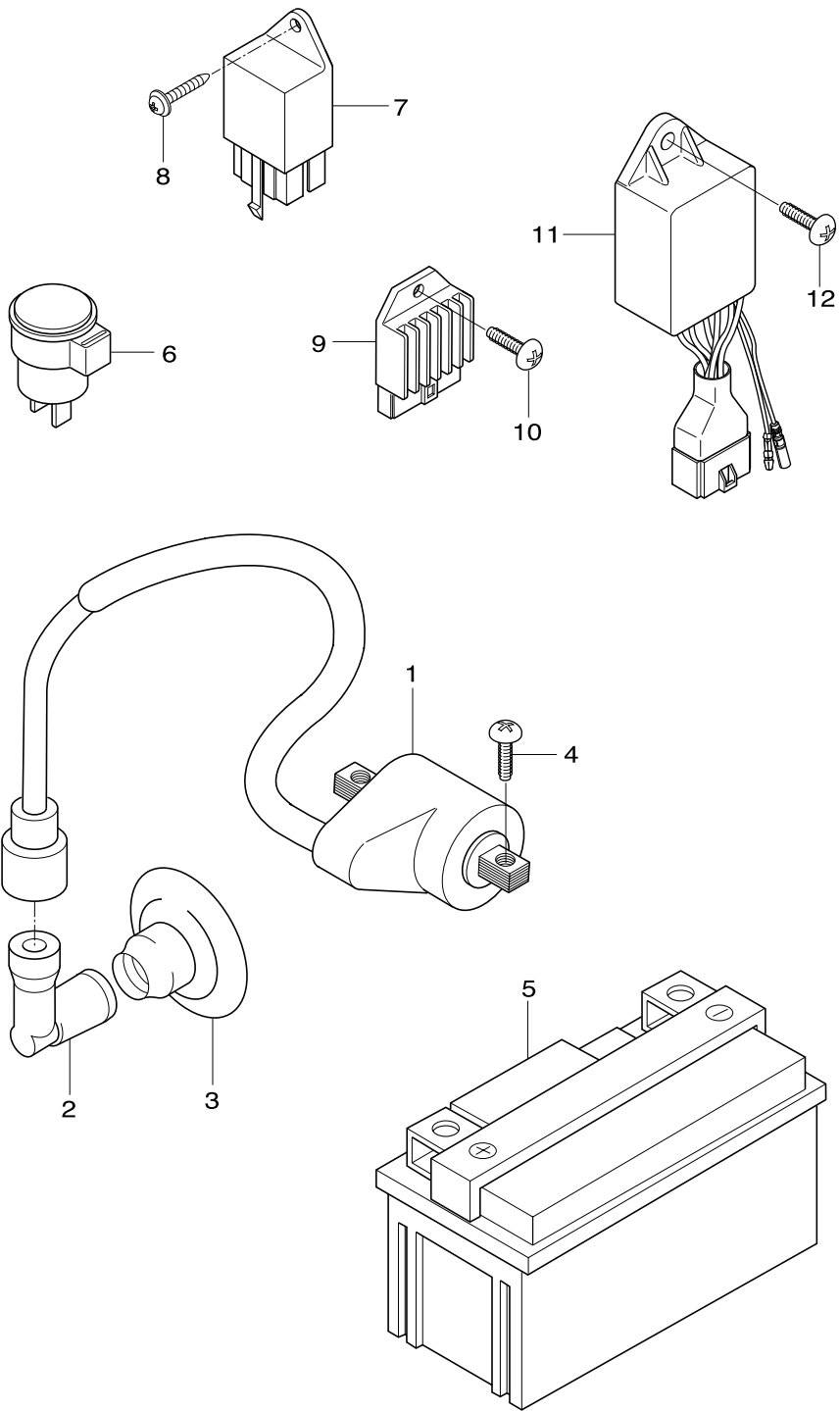


FIG 14. MAGNETO

REF PART NUMBER			PARTS NAME	Q'TY	REMARKS	REC.Q'TY (PCS)
NO. PEU01	PG01	RAT01				
0	32100HG2680	32100HG2680	32100HG2680	MAGNETO ASS'Y	1	2
1	08316-26108	08316-26108	08316-26108	NUT, magneto rotor(M10)	1	
2	08321-31108	08321-31108	08321-31108	LOCK WASHER, magneto	1	NOT SALE
3	08322-21108	08322-21108	08322-21108	WASHER, magneto	1	NOT SALE
4	08341-31039	08341-31039	08341-31039	KEY, magneto	1	
5	02152-05128	02132H05128	02152-05128	SCREW, magneto stater(M5X12)	3	
6	02112-05106	02112-05106	02112-05106	SCREW, pick up coil(M5X10)	2	
7	32101HG2680	32101HG2680	32101HG2680	STATOR ASS'Y	1	5
8	32102HG2670	32102HG2670	32102HG2670	ROTOR ASS'Y	1	2
9	09404-16404	09404-16404	09404-16404	CLAMP, magneto lead wire	1	
10	09120-06081	09120-06081	09120-06081	SCREW	2	

FIG 15



FWD

FIG 15. ELECTRICAL

REF PART NUMBER			PARTS NAME	Q'TY	REMARKS	REC.Q'TY (PCS)
NO. PEU01	PG01	RAT01				
1	33410HK3101	33410HK3101	33410HK3101	COIL ASS'Y, ignition	1	5
2	33510H11200	33510H11200	33510H11200	CAP, spark plug	1	5
3	33543HG2600	33543HG2600	33543HG2600	BOOT, spark plug cap	1	5
4	01134-06208	01134-06208	01134-06208	BOLT, ignition coil(M6×20)	1	
5	33610-40B12	33610-40B12	33610-40B12	BATTERY ASS'Y (12V, 4AH)	1	5
6	38610HF3400	38610HF3400	38610HL7350	RELAY ASS'Y, turnsignal	1	5
7	31800H47A00	31800H47A00	31800H47A00	RELAY ASS'Y, starting motor	1	5
8	02142-06128	02142-06128	02142-06128	SCREW, starting motor relay(M6×12)	1	
9	32800-36C20	32800-36C20	32800-36C20	RECTIFIER ASS'Y	1	5
10	02142-06165	02142-06165	02142-06165	SCREW, rectifier(M6×16)	1	
11	32900HG2661	32900HG2661	32900HG2650	C.D.I UNIT	1	5
12	02142-06128	02142-06128	02142-06128	SCREW. C.D.I unit(M6×12)	1	

FIG 16

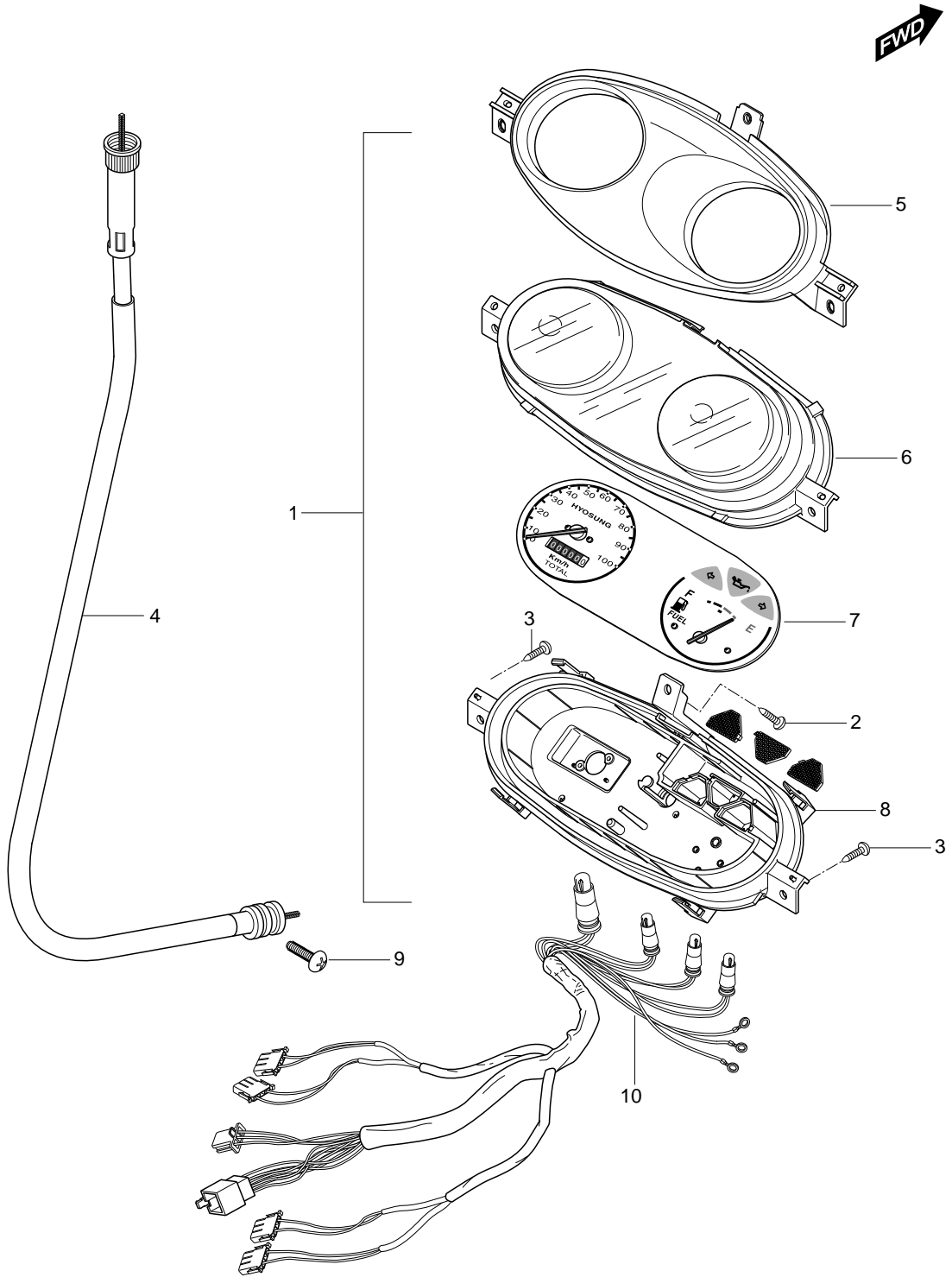


FIG 16. SPEEDOMETER

REF PART NUMBER			PARTS NAME	Q'TY	REMARKS	REC.Q'TY (PCS)
NO.	PEU01	PG01				
1	34100HK2750	34100HK2750	34100HK2750	SPEEDOMETER ASS'Y	1	3
2	03241-05165	03241-05165	03241-05165	SCREW, speedo meter	1	
3	03241-05206	03241-05206	03241-05206	SCREW, speedo meter	2	
4	34910HB1101	34910HB1101	34910HB1101	CABLE ASS'Y, speedometer	1	3
5	34210HG2600	34210HG2600	34210HG2600	DECORATION, speedometer	1	
6	34150HG2600	34150HG2600	34150HG2600	WINDOW CASE	1	
7	34112HG2600	34112HG2600	34112HG2600	DIAL	1	
8	34150HG2600	34150HG2600	34150HG2600	CASE,SUB	1	
9	03241-05165	03241-05165	03241-05165	SCREW, speedometer(M5×16)	1	
10	34170HG2600	34170HG2600	34170HG2600	WIRING ASS'Y	1	

FIG 17

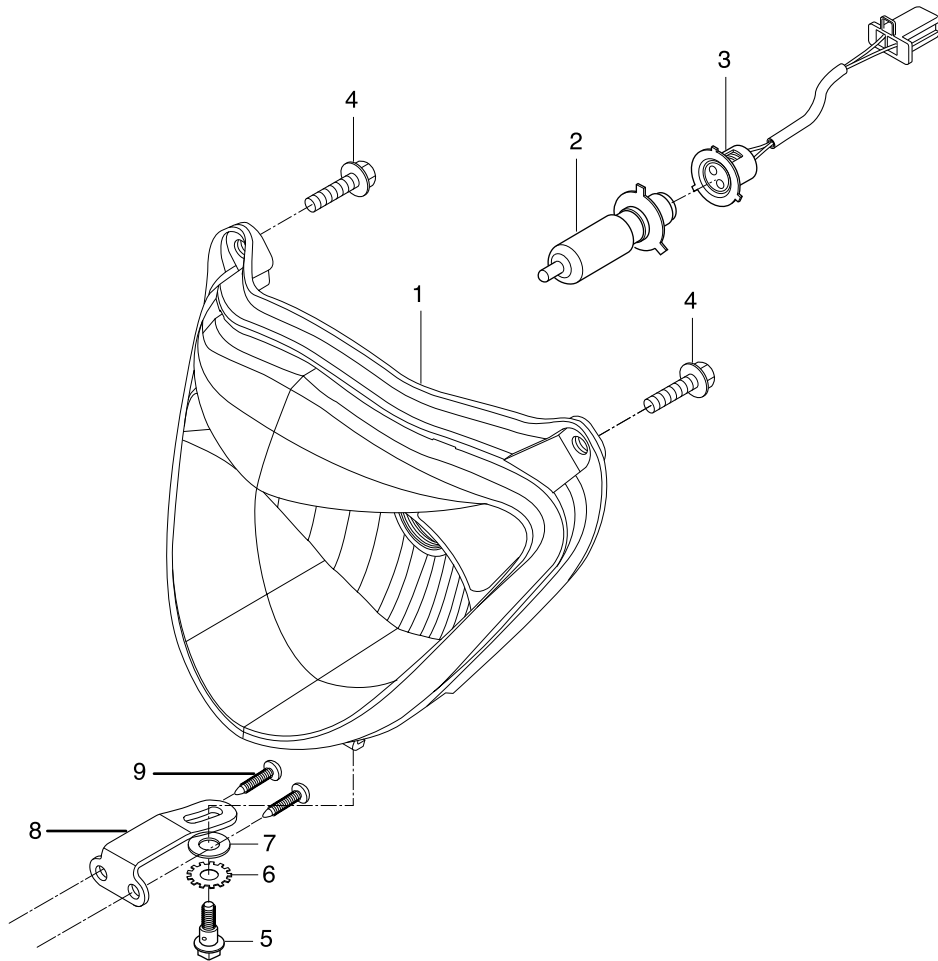


FIG 17. HEAD LAMP

REF PART NUMBER			PARTS NAME	Q'TY	REMARKS	REC.Q'TY (PCS)
NO. PEU01	PG01	RAT01				
1	35100HN3202	35100HN3202	35100HN3202	HEAD LAMP ASSY	1	5
2	09471H29E10	09471H29E10	09471H29E10	BULB, head lamp(12V 35/35W)	1	
3	35130HN3200	35130HN3200	35130HN3200	WIRING ASS'Y, head lamp	1	
4	09111H05001	09111H05001	09111H05001	BOLT, head lamp	2	
5	35151H11200	35151H11200	35151H11200	BOLT, head lamp aiming	1	
6	35128H11200	35128H11200	35128H11200	PLATE WASHER, head lamp aiming	1	
7	08322-21068	08322-21068	08322-21068	WAVE WASHER, head lamp aiming	1	
8	48115HM3600	48115HM3600	48115HM3600	PLATE,HEAD LAMP AIMING	1	
9	03241-05165	03241-05165	03241-05165	SCREW, headlamp aiming plate	2	

FIG 18

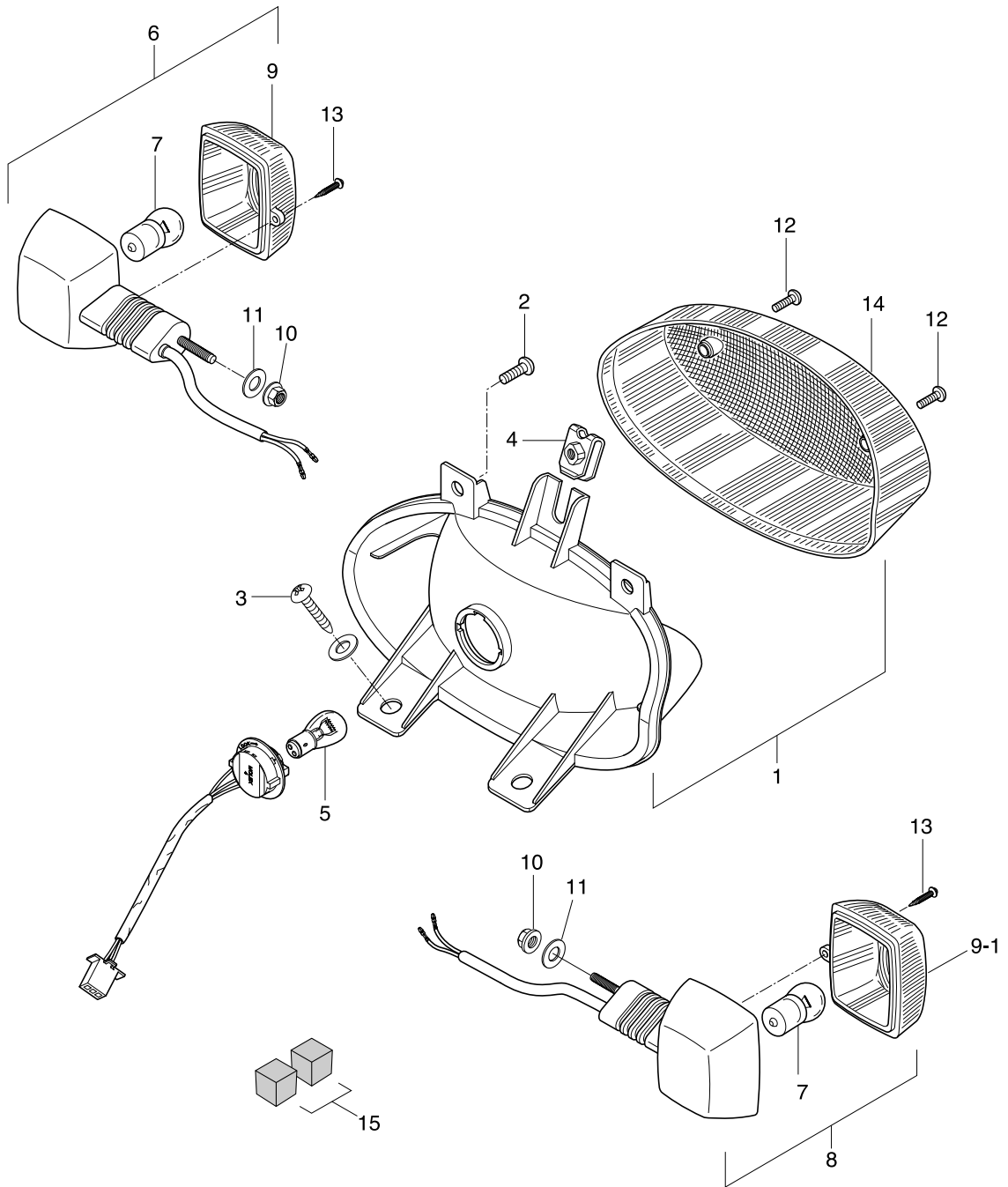


FIG 18. REAR COMBINATION

REF PART NUMBER			PARTS NAME	Q'TY	REMARKS	REC.Q'TY (PCS)
NO. PEU01	PG01	RAT01				
1	35710HG2660	35710HG2660	35710HG2660	LAMP ASS'Y, tail & stop	1	3
2	02142-06125	02142-06125	02142-06125	BOLT, tail & stop lamp(M6×12)	2	
3	03241-05165	03241-05165	03241-05165	SCREW, tail & stop lamp(M5×16)	2	
4	09148-05039	09148-05039	09148-05039	NUT, tail & stop lamp(M5)	1	
5	09471-12046	09471-12046	09471-12046	BULB, tail & stop (12V 10/5W)	1	10
6	35603HG2650	35603HG2650	35603HG2650	LAMP ASS'Y, rear turnsignal R	1	8
7	09471-12142	09471-12142	09471-12142	BULB, rear turnsignal (12V 10W)	2	10
8	35604HG2650	35604HG2650	35604HG2650	LAMP ASS'Y, rear turnsignal L	1	8
9	35652-35C00	35652-35C00	35652-35C00	LENS, rear turnsignal R	1	10
9-1	35672-35C00	35672-35C00	35672-35C00	LENS, rear turnsignal L	1	10
10	08310-11068	08310-11068	08310-11068	NUT, rear turnsignal(M6)	2	
11	08322-21068	08322-21068	08322-21068	WASHER, rear turnsignal	2	
12	03211-04205	03211-04205	03211-04205	SCREW(M4×20)	2	
13	35625-01A00	35625-01A00	35625-01A00	TAPPING SCREW	2	
14	35712HG2600	35712HG2600	35712HG2600	LENS, tail & stop	1	10
15	35722HG2600	35722HG2600	35722HG2600	CUSHION, licence lamp	2	

FIG 19

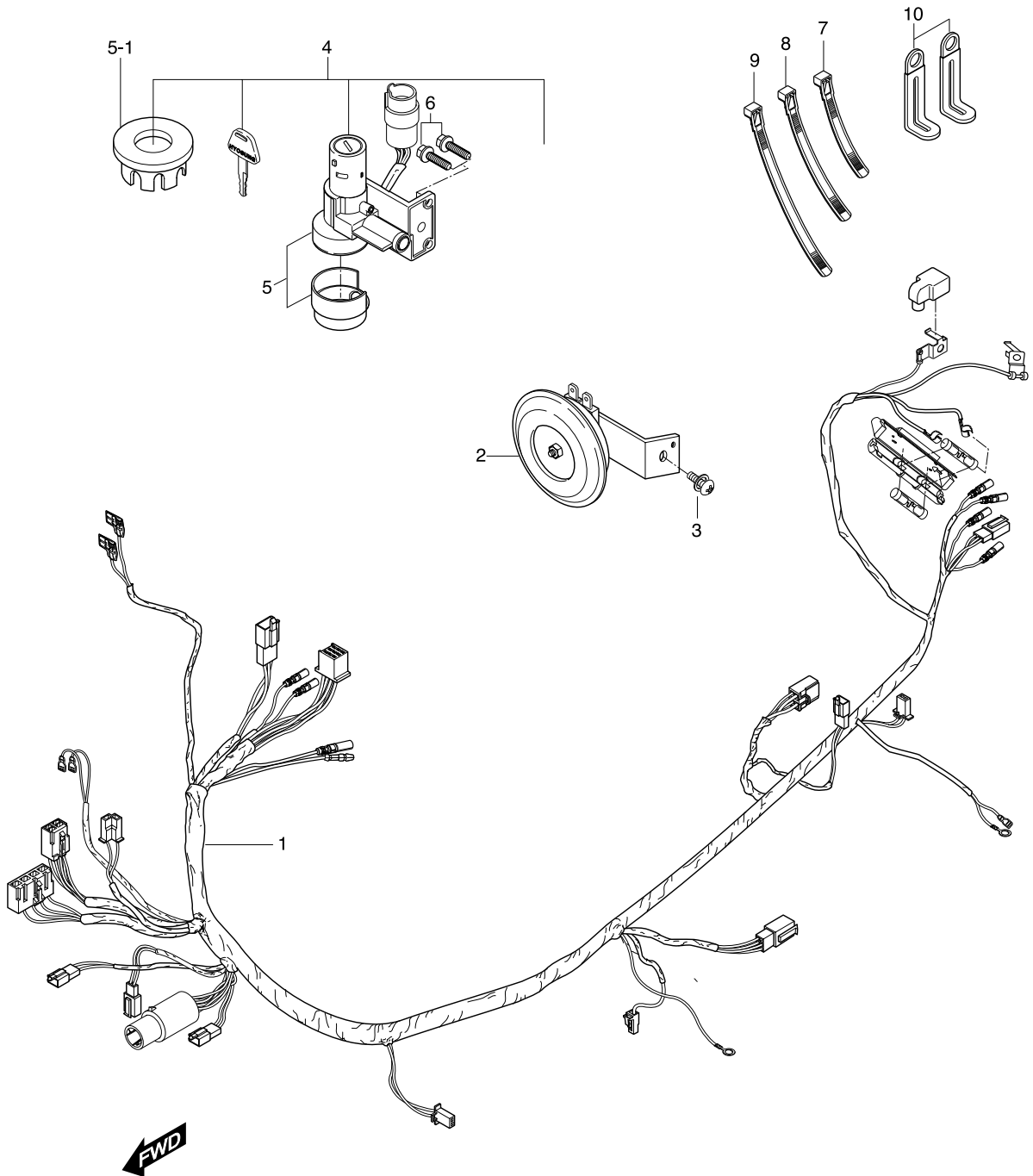


FIG 19. WIRING HARNESS

REF PART NUMBER			PARTS NAME	Q'TY	REMARKS	REC.Q'TY (PCS)
NO. PEU01	PG01	RAT01				
1	36610HK2750	36610HK2750	36610HK2770	HARNESS, wiring		2
1~1	36610HK2751	36610HK2751	36610HK2760	HARNESS, wiring	KM4CA105X61117161~	2
2	38500HN3201	38500HN3201	38500HN3201	HORN ASSY		3
3	02112-36128	02112-36128	02112-36128	BOLT, HORN(M6×12)		
4	37000HG2630	37000HG2630	37000HG2630	KEY SET		5
5	37100HG2410	37100HG2410	37100HG2410	LOCK ASSY, steering		
5-1	37155HB1410	37155HB1410	37155HB1410	CAP, steering lock		
6	09128-06005	09128-06005	09128-06005	SCREW, steering lock(M6×12)		
7	09407-254A1	09407-254A1	09407-254A1	CLAMP, wiring harness		
8	09403-09301	09403-09301	09403-09301	CLAMP, wiring harness		
9	09407-22402	09407-22402	09407-22402	CLAMP, wiring harness		7
10	09404-06401	09404-06401	09404-06401	CLAMP, wiring harness		2

FIG 20. FRAME

REF PART NUMBER				PARTS NAME	Q'TY	REMARKS	REC.Q'TY (PCS)
NO.	PEU01	PG01	RAT01				
1	41100HN3250PAM	41100HN3250PAM	41100HN3250PAM	FRAME COMP	1		1
2	41551HK2701	41551HK2701	41551HK2701	PLATE, leg shield rear front	1		
3	61110HG2603	61110HG2603	61110HG2603	LINK COMP, engine mounting	1		
4	41512HG2600	41512HG2600	41512HG2600	BRACKET, leg front upper	1		
5	61121H11201	61121H11201	61121H11201	CUSHION, engine mounting link	1		
6	09319H12025	09319H12025	09319H12025	BUSH, engine mounting link	2		
7	09103-12045	09103-12045	09103-12045	BOLT, engine mounting link(M12×40)	1		
8	08319-31126	08319-31126	08319-31126	NUT, engine mounting link(M12)	1		
9	03241-05165	03241-05165	03241-05165	SCREW, frame & side cover lower R/L(M5×16)	3		
10	01517-06125	01517-06125	01517-06125	BOLT, leg shield rear front plate(M6×12)	2		
11	08316-26066	08316-26066	08316-26066	NUT, leg front upper bracket(M6)	2		
12	03241-05108	03241-05108	03241-05108	SCREW, frame & side cover lower rr LH(M5×10)	1		
13	02142-05125	02142-05125	02142-05125	SCREW, side cover lower & frame	1		
14	92113HG260126B	92113HG260126B	92113HG260126B	HOOK, leg shield cover	1		
15	01517-06125	01517-06125	01517-06125	BOLT, leg shield cover hook(M6×12)	1		
16	03241-05165	03241-05165	03241-05165	SCREW, frame & leg shield cover(M5×16)	2		
17	61110HG2603HPA	61110HG2603HPA	61110HG2603HPA	LINK COMP, engine mounting	1		

FIG 21

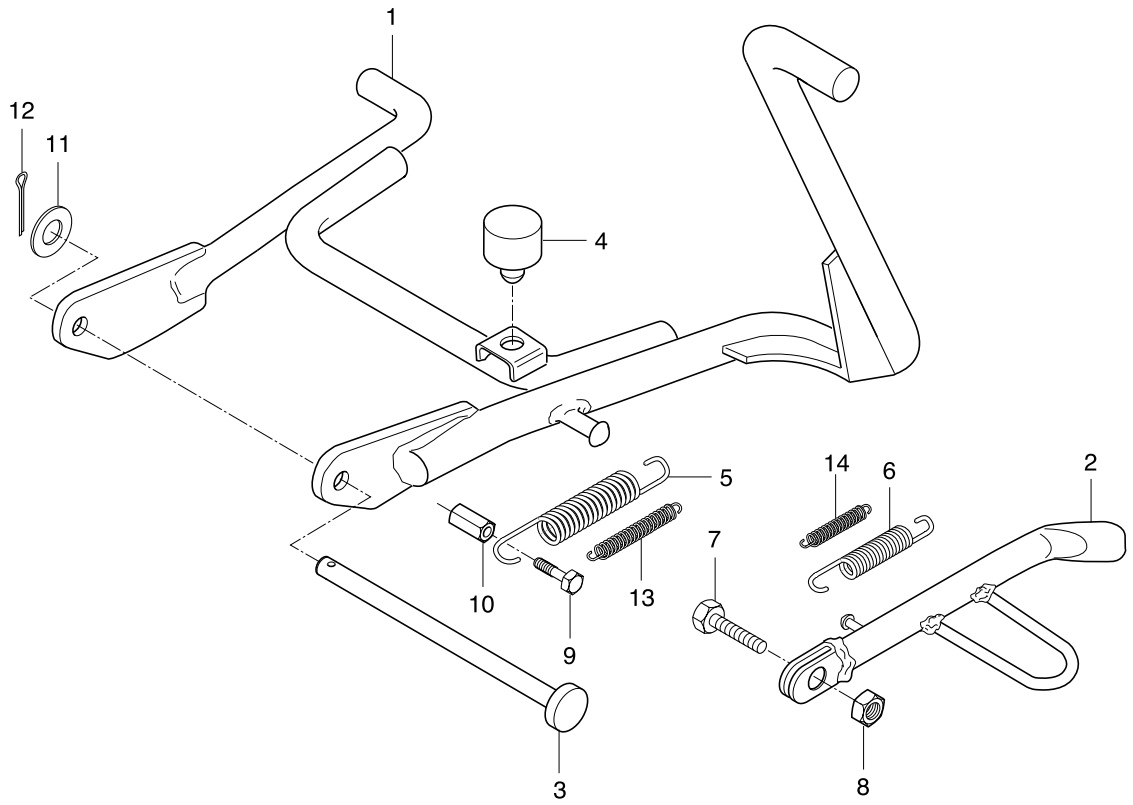


FIG 21. STAND

REF PART NUMBER			PARTS NAME	Q'TY	REMARKS	REC.Q'TY (PCS)
NO. PEU01	PG01	RAT01				
1	42110HG2609	42110HG2605	42110HG2609	STAND COMP, center		1
2	42310HG2651	42310HG2651	42310HG2651	STAND COMP, prop		1
3	42211HG2600	42211HG2600	42211HG2600	SHAFT, center stand pivot		
4	09321-10001	09321-10002	09321-10001	CUSHION, center stand spring		
5	09443H17005	09443H17005	09443H17005	SPRING, center stand		
6	09443-14036	09443-14036	09443-14036	SPRING, prop stand		
7	09100-10031	09100-10031	09100-10031	BOLT, prop stand(M10×30)		
8	08313-11107	08313-11107	08313-11107	NUT, prop stand(M10)		
9	09100-06078	09100-06078	09100-06078	BOLT, center stand spring(M6×33)		
10	09140-06007	09140-06007	09140-06007	NUT, center stand spring(M6)		
11	08322-11106	08322-11106	08322-11106	WASHER, center stand		
12	09204-02003	09204-02003	09204-02003	COTTER PIN, center stand		
13	09443H10001	09443H10001	09443H10001	SPRING, center stand inner		
14	09443-06001	09443-06001	09443-06001	SPRING, prop stand inner		

FIG 22

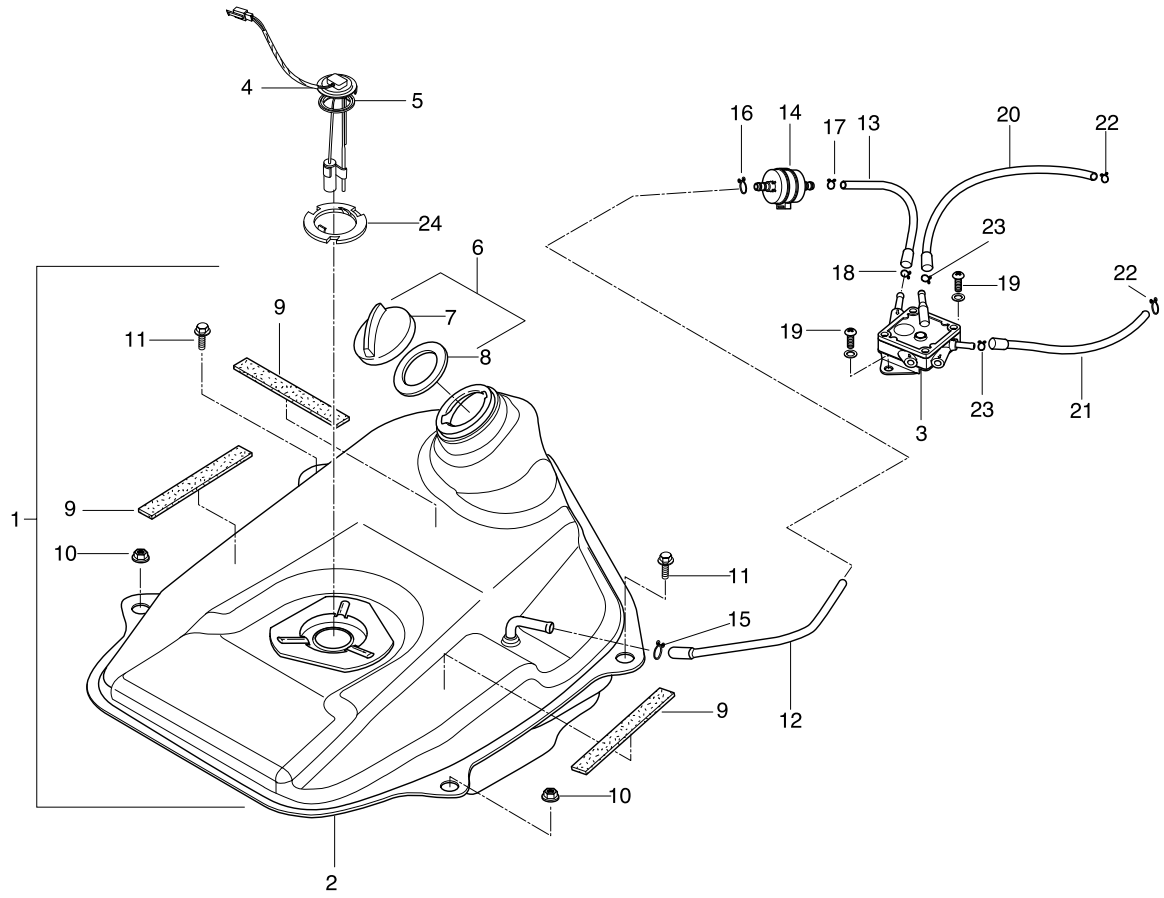


FIG 22. FUEL TANK

REF PART NUMBER			PARTS NAME	Q'TY	REMARKS	REC.Q'TY (PCS)
NO. PEU01	PG01	RAT01				
1	44100HK2704PAH	44100HK2704PAH	44100HK2704PAH	TANK SET, fuel		1
2	44110HK2704PAM	44110HK2704PAM	44110HK2704PAM	TANK COMP, fuel		1
3	15100HG2600	15100HG2600	15100HG2600	PUMP ASS'Y, fuel		3
4	34810HK2700	34810HK2700	34810HK2700	GAUGE ASS'Y, fuel sender		5
5	34825HE7100	34825HE7100	34825HE7100	PACKING		1
6	44200HK2701	44200HK2701	44200HK2701	CAP SET, fuel tank filler		5
7	44210HK2700	44210HK2700	44210HK2700	CAP COMP, fuel tank filler		1
8	44248-35000	44248-35000	44248-35000	GASKET, fuel tank filler cap		1
9	33652-29100	33652-29100	33652-29100	CUSHION, fuel tank (90X20X3t)		2
10	08316-26066	08316-26066	08316-26066	NUT, fuel tank front(M6)		2
11	01517-06125	01517-06125	01517-06125	BOLT, fuel tank rear(M6X12)		2
12	44199HK2701	44199HK2701	44199HK2701	HOSE, fuel strainer inlet		1
13	44197HK2701	44197HK2701	44197HK2701	HOSE, fuel strainer outlet		1
14	44910HG2600	44910HG2600	44910HG2600	STARINER COMP, fuel		10
15	09401-12401	09401-12401	09401-12401	CLIP, fuel inlet hose No1		1
16	09401-08401	09401-08401	09401-08401	CLIP, fuel inlet hose No2		1
17	09401-08401	09401-08401	09401-08401	CLIP, fuel outlet hose No1		1
18	09401-10401	09401-10401	09401-10401	CLIP, fuel outlet hose No2		1
19	02112-35168	02112-35168	02112-35168	SCREW, fuel pump(M5x16)		2
20	15821HK2700	15821HK2700	15821HK2700	HOSE, fuel No1		1
21	15831HK2700	15831HK2700	15831HK2700	HOSE, fuel No2		1
22	09401-09101	09401-09101	09401-09101	CLIP, fuel hose		2
23	09401-10401	09401-10401	09401-10401	CLIP, fuel hose		2
24	34811HE7100	34811HE7100	34811HE7100	PLATE, fuel gauge		1
25	44613HE7100	44613HE7100	44613HE7100	CUSHION, fuel tank No2		1

FIG 23

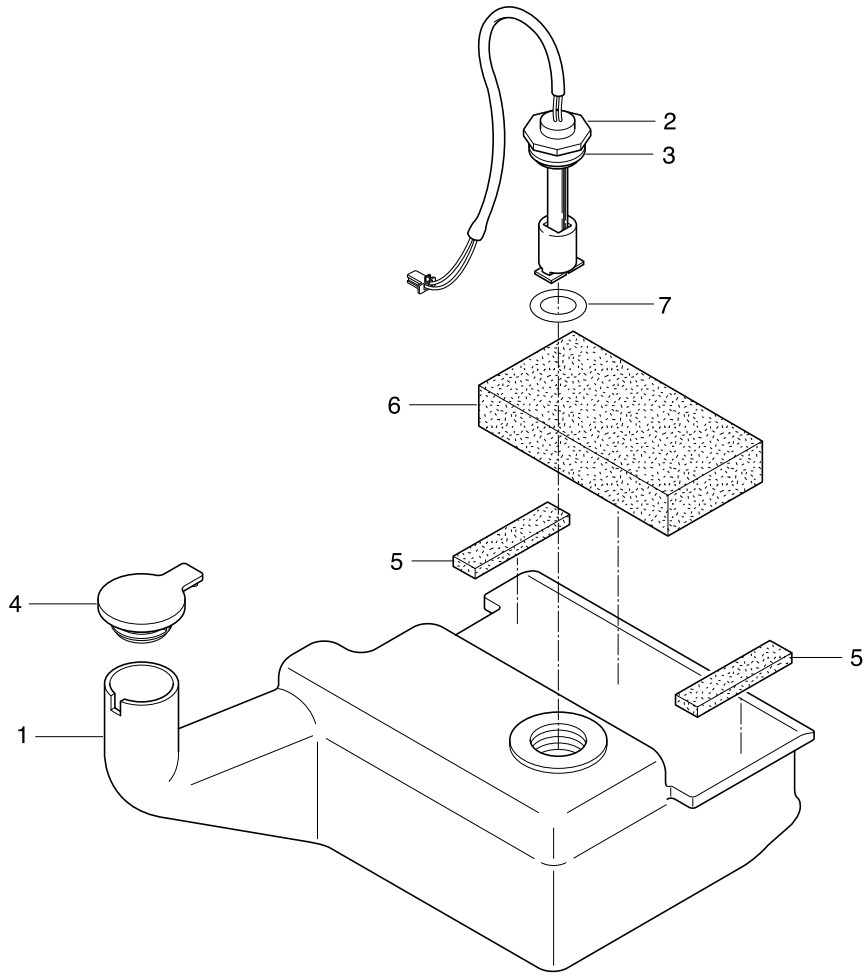


FIG 23. OIL TANK

REF PART NUMBER			PARTS NAME	Q'TY	REMARKS	REC.Q'TY (PCS)
NO. PEU01	PG01	RAT01				
1	44610HG2650	44610HG2650	44610HG2650	TANK SET, oil	1	3
2	37880HG2600	37880HG2600	37880HG2600	SWITCH ASS'Y, oil level	1	5
3	44668HG2600	44668HG2600	44668HG2600	GASKET, oil tank cap lower	1	
4	44651HG2600	44651HG2600	44651HG2600	CAP, oil tank filler	1	
5	44616HG2600	44616HG2600	44616HG2600	CUSHION, oil tank & helmet box(58X14X6t)	2	
6	41589HG5900	41589HG5900	41589HG5900	CUSHION, oil tank & battery(100X55X24t)	1	
7	44643-31000	44643-31000	44643-31000	GASKET, oil level switch	1	

FIG 24

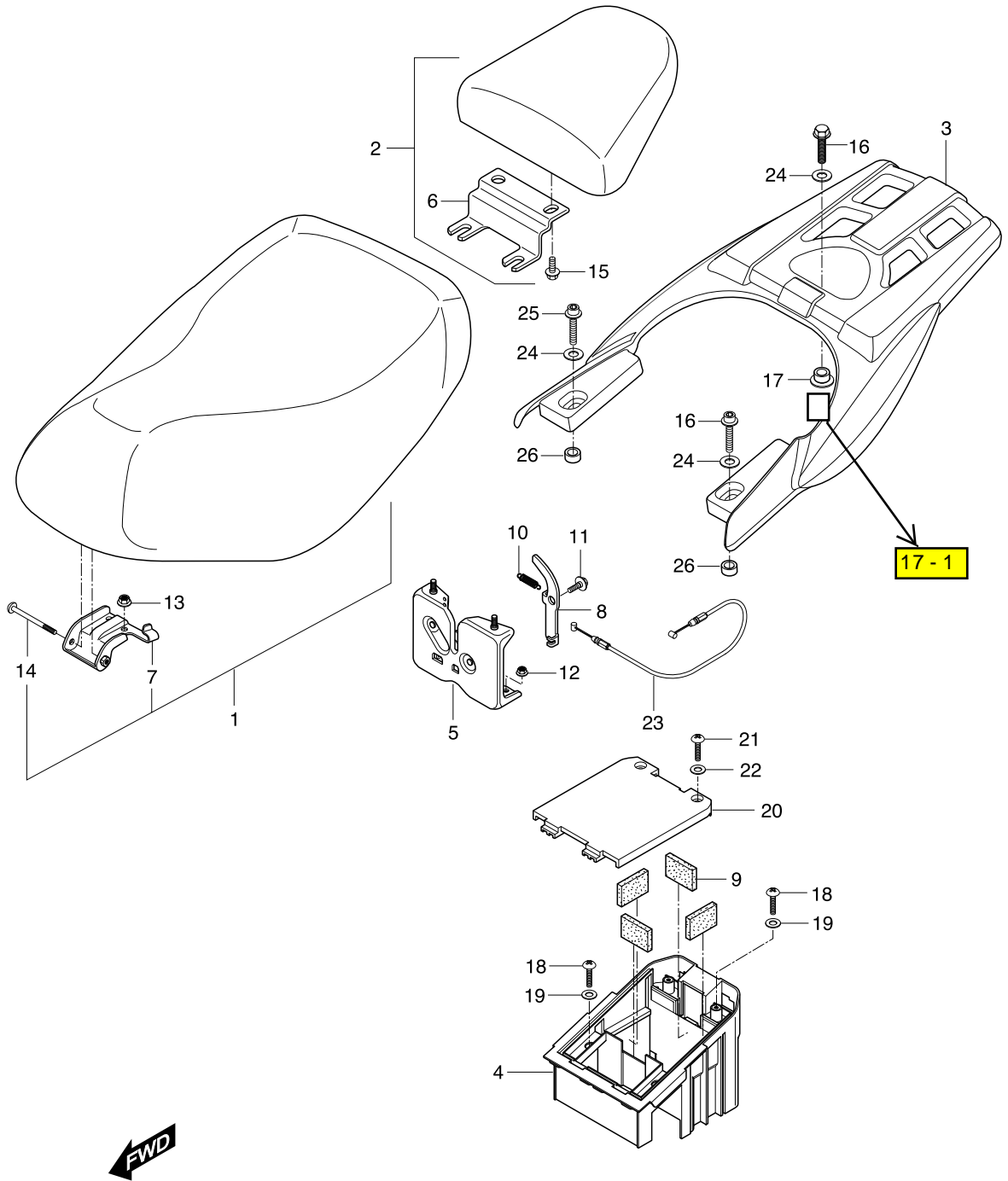


FIG 24. SEAT

REF PART NUMBER			PARTS NAME	Q'TY	REMARKS	REC.Q'TY (PCS)
NO. PEU01	PG01	RAT01				
1	45100HG2603	45100HG2603	45100HG2603	SEAT SET, front	1	2
2	45200HG2603	45200HG2603	45200HG2603	SEAT SET, pillion	1	2
3	46411HM360603P	46411HM360603P	46411HM360603P	CARRIER, rear	1	1
4	92311HG260226B	92311HG260226B	92311HG260226B	BOX, helmet rear	1	
5	45220HG2601	45220HG2601	45220HG2601	LOCK, seat striker	1	
6	45293HG2600	45293HG2600	45293HG2600	BRACKET, pillion seat	1	
7	45285HE7100	45285HE7100	45285HE7100	BRACKET, seat support front	1	
8	45551HG2601	45551HG2601	45551HG2601	PLATE, seat striker lock No.3	1	
9	44218HF4500	44218HF4500	44218HF4500	CUSHION, helmet box(50X35X6t)	4	
10	09443H06006	09443H06006	09443H06006	SPRING, seat striker lock No.3 & frame	1	
11	09111-06019	09111-06019	09111-06019	BOLT, seat striker & frame(M6X14.6)	1	
12	08316-26066	08316-26066	08316-26066	NUT, seat striker lock(M6)	2	
13	08316-26066	08316-26066	08316-26066	NUT, seat support front(M6)	2	
14	45215HE7100	45215HE7100	45215HE7100	BOLT(M6X65)	1	
15	01517-06168	01517-06168	01517-06168	BOLT(M6X16)	2	
16	01517-08358	01517-08358	01517-08358	BOLT, rear carrier(M8X35)	2	
17	09169H08002	09169H08002	09169H08002	SPACER, rear carrier	1	3
17-1	09180H08129	09180H08129	09180H08129	W/S, Rear carrier rear	1	3
18	02142-06165	02142-06165	02142-06165	SCREW, helmet box & frame(M6X16)	4	
19	09169-06034	09169-06034	09169-06034	WASHER, helmet box & frame	4	
20	92331HG260026B	92331HG260026B	92331HG260026B	COVER, battery	1	5
21	02142-06125	02142-06125	02142-06125	SCREW, battery cov & helmet box(M6X12)	2	
22	09169-05009	09169-05009	09169-05009	WASHER, battery cov & helmet box	2	
23	45280HG2602	45280HG2602	45280HG2602	CABLE ASS'Y, seat lock	1	
24	08322-21088	08322-21088	08322-21088	WASHER, rear carrier rear	3	
25	09103H08254	09103H08254	09103H08254	BOLT, rear carrier rear(L=40)	1	
26	09180H081F5	09180H081F5	09180H081F5	SPACER, rear carrier	2	

FIG 25

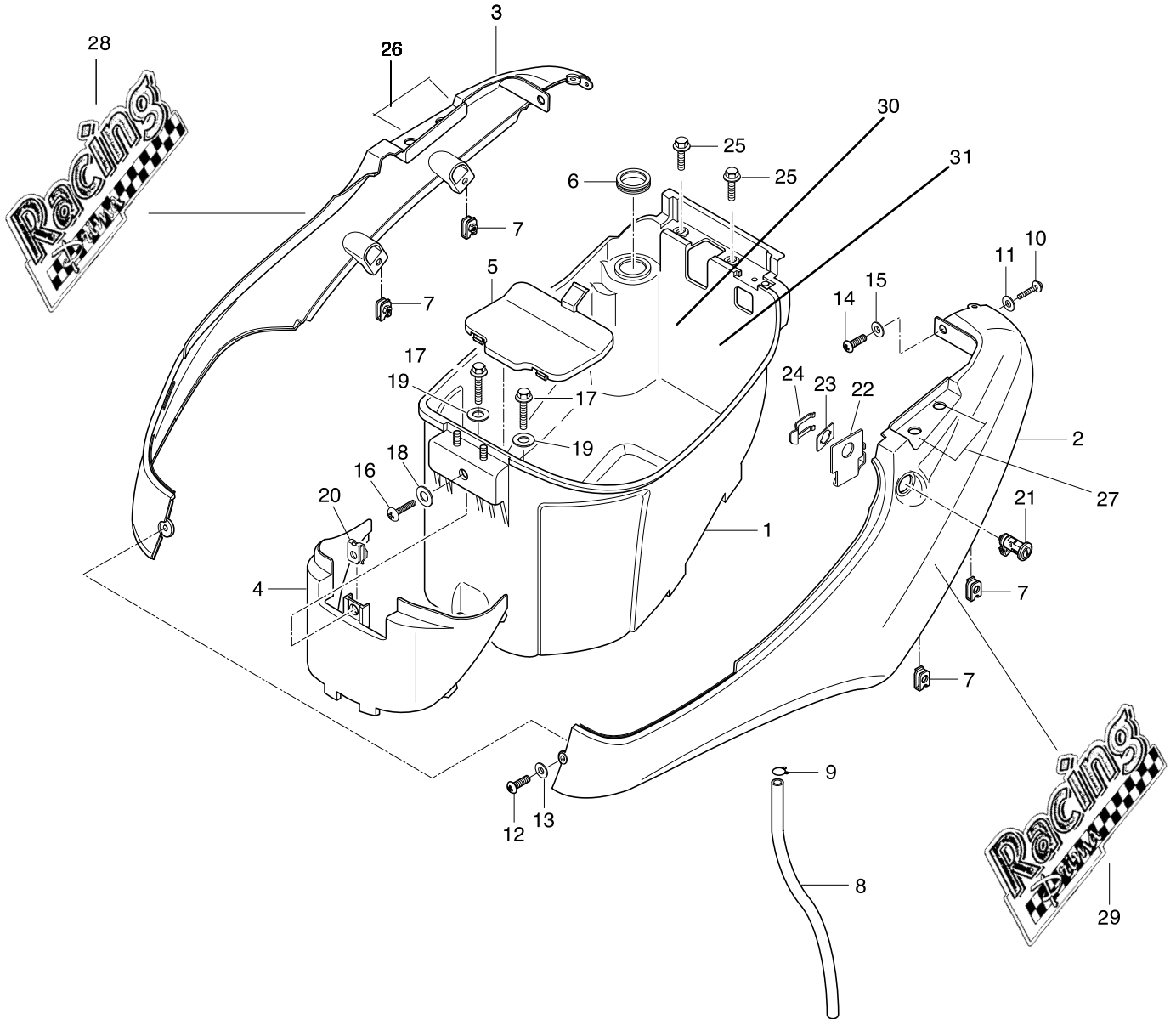


FIG 25. SIDE COVER

REF PART NUMBER			PARTS NAME	Q'TY	REMARKS	REC.Q'TY (PCS)
NO. PEU01	PG01	RAT01				
1	91311HG2604	91311HG2603	91311HG2604	BOX, helmet front	1	
2	47211HG2603	47211HG2603	47211HG2603	SIDE COVER, L(color)	1	10
3	47111HG2603	47111HG2603	47111HG2603	SIDE COVER, R(color)	1	10
4	47311HG260026B	47311HG260026B	47311HG260026B	COVER, side center	1	7
5	92321HG260226B	92321HG260226B	92321HG260226B	COVER, helmet box inner	1	
6	44668HG2600	44668HG2600	44668HG2600	GASKET, oil tank cap lower	1	
7	09148-05020	09148-05020	09148-05020	NUT, side cover R/L(M5)	4	2
8	09343-05052	09343-05052	09343-05052	HOSE, helmet box drain(8.2-5 L580)	1	
9	09401-08401	09401-08401	09401-08401	CLIP, helmet box drain hose	1	
10	02152-05225	02152-05225	02152-05225	SCREW, side cover & rear combi(M5X22)	1	
11	09169-05009	09169-05009	09169-05009	WASHER, side cover & rear combi	1	
12	02142-06203	02142-06203	02142-06203	SCREW, side cover & leg shield rear(M6X20)	1	
13	09169-06070	09169-06070	09169-06070	WASHER, side cover & leg shield rear	1	
14	02142-06255	02142-06255	02142-06255	SCREW, side cover rear ctr front(M6X25)	1	
15	09169H06077	09169H06077	09169H06077	WASHER, side cover rear ctr front	1	
16	01517-06205	01517-06205	01517-06205	BOLT, helmet box & side cover fr ctr(M6X20)	1	
17	01517-06168	01517-06168	01517-06168	BOLT, helmet box(M6X16)	2	
18	09169-06034	09169-06034	09169-06034	WASHER, helmet box & side cover fr ctr	1	
19	09160-06006	09160-06006	09160-06006	WASHER, helmet box front	2	
20	09148-06020	09148-06020	09148-06020	NUT, helmet box & side cover fr ctr(M6)	1	
21	45700HG2610	45700HG2610	45700HG2610	LOCK ASS'Y, seat	1	
22	45381HG2601	45381HG2601	45381HG2601	GUIDE, seat lock cable	1	
23	92413HF4501	92413HF4501	92413HF4501	WASHER, side cover L	1	
24	92414HF4500	92414HF4500	92414HF4500	LOCK, key set	1	
25	01517-06168	01517-06168	01517-06168	BOLT, helmet box(M6X16)	2	

FIG 25

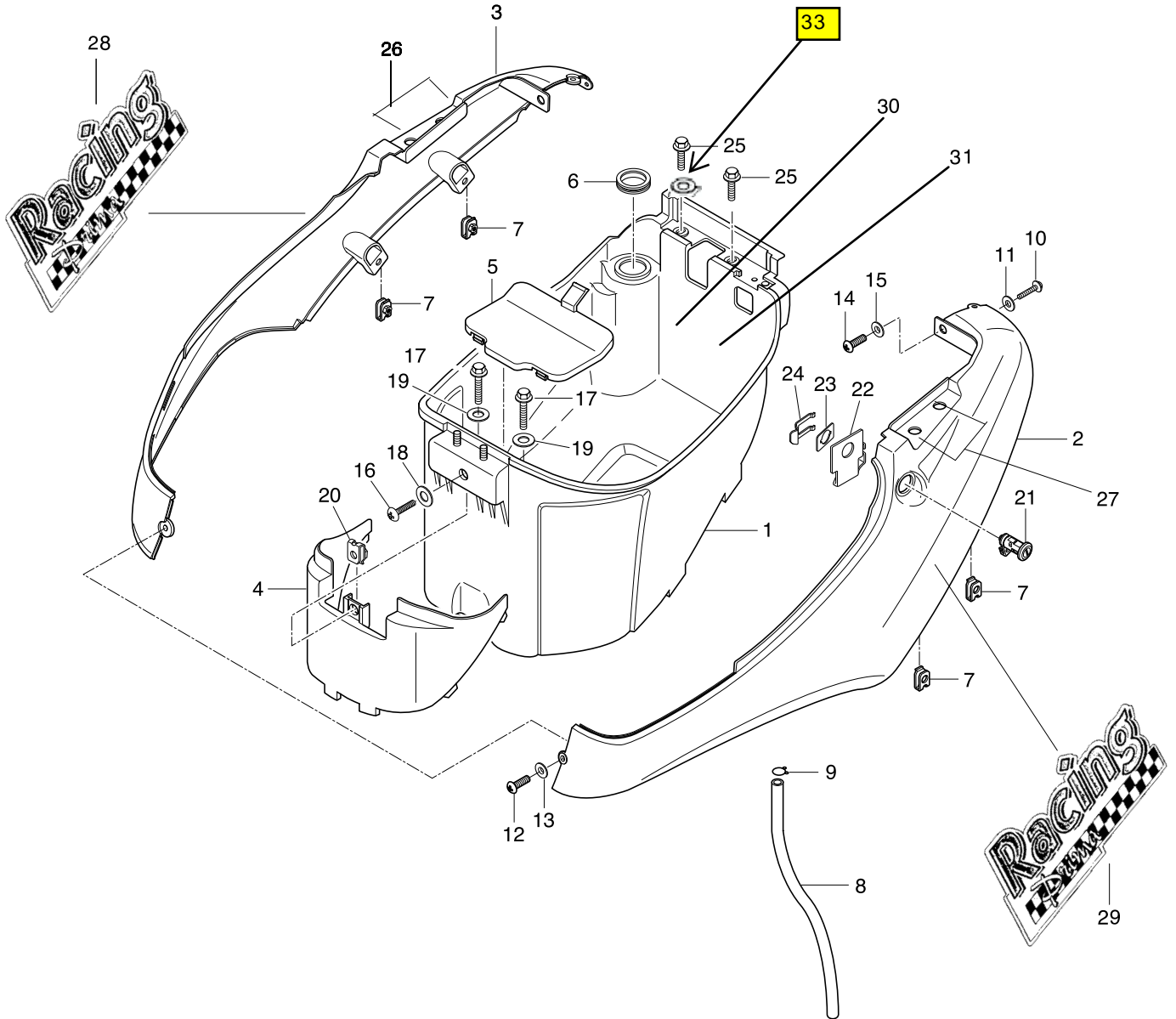


FIG 25. SIDE COVER

REF PART NUMBER			PARTS NAME	Q'TY	REMARKS	REC.Q'TY (PCS)
NO. PEU01	PG01	RAT01				
26	47510HG260003P		GRIP COMP, handle R	1		3
27	47610HG260003P		GRIP COMP, handle L	1		3
28	68134HG26500MQ	68134HG26500MQ	TAPE,SIDE COVER R(RACING)	1		
29	68136HG26500MQ	68136HG26500MQ	TAPE,SIDE COVER L(RACING)	1		
30	68332HE7200		68332HN3250PL LABEL CAUTION NO2	1		
31	68372HN3250	68372HN3250	PLATE,I.D	1		
31		69111HG2680	LABEL noise test	1		
32		68130HK27700NO	TAPE, Side Cover (RUSH) (DB,MO,PR,S3)	2		
33	09160-06006	09160-06006	09160-06006 WASHER, helmet box front	1		10

FIG 26

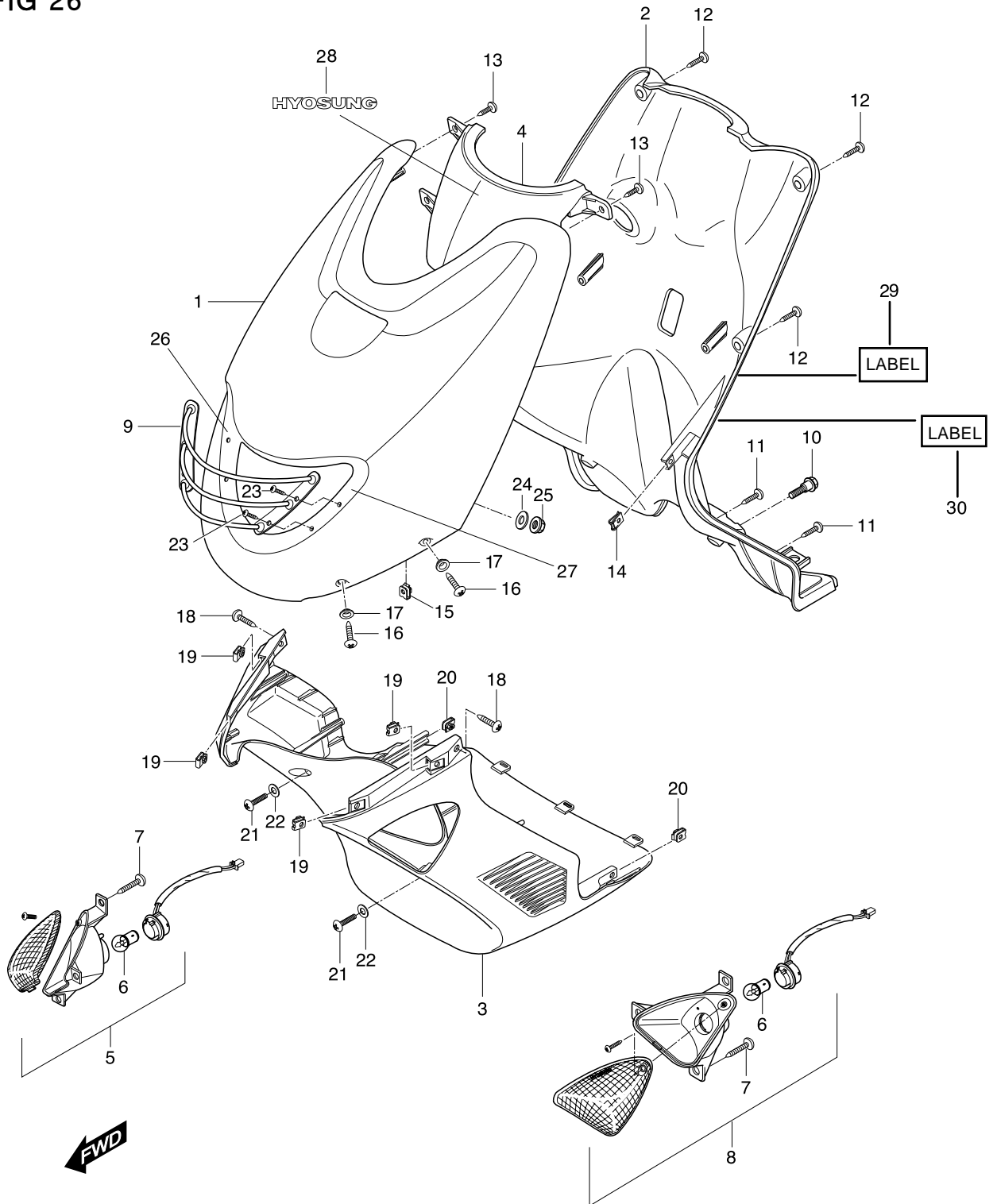


FIG 26. FRONT LEG SHIELD

REF PART NUMBER			PARTS NAME	Q'TY	REMARKS	REC.Q'TY (PCS)
NO. PEU01	PG01	RAT01				
1	48111HM3604	48111HM3604	48111HM3604	SHIELD, leg front,(color)	1	10
2	92111HK270226B	92111HK270226B	92111HK270226B	COVER, leg shield	1	5
3	48137HG2602	48137HG2602	48137HG2602	SHIELD, leg lower front (color)	1	8
4	48211HG260326B	48211HG260326B	48211HG260326B	SHIELD, leg front upper	1	
5	35601HG2651	35601HG2651	35601HG2651	LAMP ASS'Y, front turnsignal R	1	
6	09471-12045	09471-12045	09471-12045	BULB, front turnsignal (12V 10W)	2	10
7	03241-05165	03241-05165	03241-05165	SCREW, front turnsignal lamp(M5X16)	6	
8	35602HG2651	35602HG2651	35602HG2651	LAMP ASS'Y, front turnsignal L	1	
9	48150HN3200	48150HN3200	48150HN3200	GRILL COMP, leg shield front	1	
10	09111H06E06	09111H06E06	09111H06E06	BOLT, leg shield cover & frame(M6X18.5)	2	
11	03241-05165	03241-05165	03241-05165	SCREW, leg shield cover & lower fr(M5X16)	4	
12	03241-05165	03241-05165	03241-05165	SCREW, leg shield cover & front(M5X16)	4	
13	03241-05165	03241-05165	03241-05165	SCREW, leg shield front upper & front(M5X16)	5	
14	09148-05020	09148-05020	09148-05020	NUT, leg shield lower fr & leg cover(M5)	2	4
15	09148-06020	09148-06020	09148-06020	NUT, head lamp & leg shield front(M2)	2	
16	03241-05255	03241-05255	03241-05255	SCREW, leg shield front & low front((M5X25)	4	
17	08322-21055	08322-21055	08322-21055	WASHER, leg shield front & low front	4	
18	03241-05165	03241-05165	03241-05165	SCREW, leg shield low front & cov leg(M5X16)	2	
19	09148-05020	09148-05020	09148-05020	NUT, leg shield front & lower fr(M5)	4	
20	09148-06020	09148-06020	09148-06020	NUT, leg shield low rear & front(M6)	2	
21	02142-06165	02142-06165	02142-06165	SCREW, leg shield low front & frame(M5X16)	2	
22	09169-06034	09169-06034	09169-06034	WASHER, leg shield low front & frame	2	
23	02142-05165	02142-05165	02142-05165	SCREW, leg shield front brkt	4	
24	08322-21056	08322-21056	08322-21056	WASHER, leg shield front brkt	4	
25	08316-26055	08316-26055	08316-26055	NUT, leg shield front & brkt	4	

FIG 26

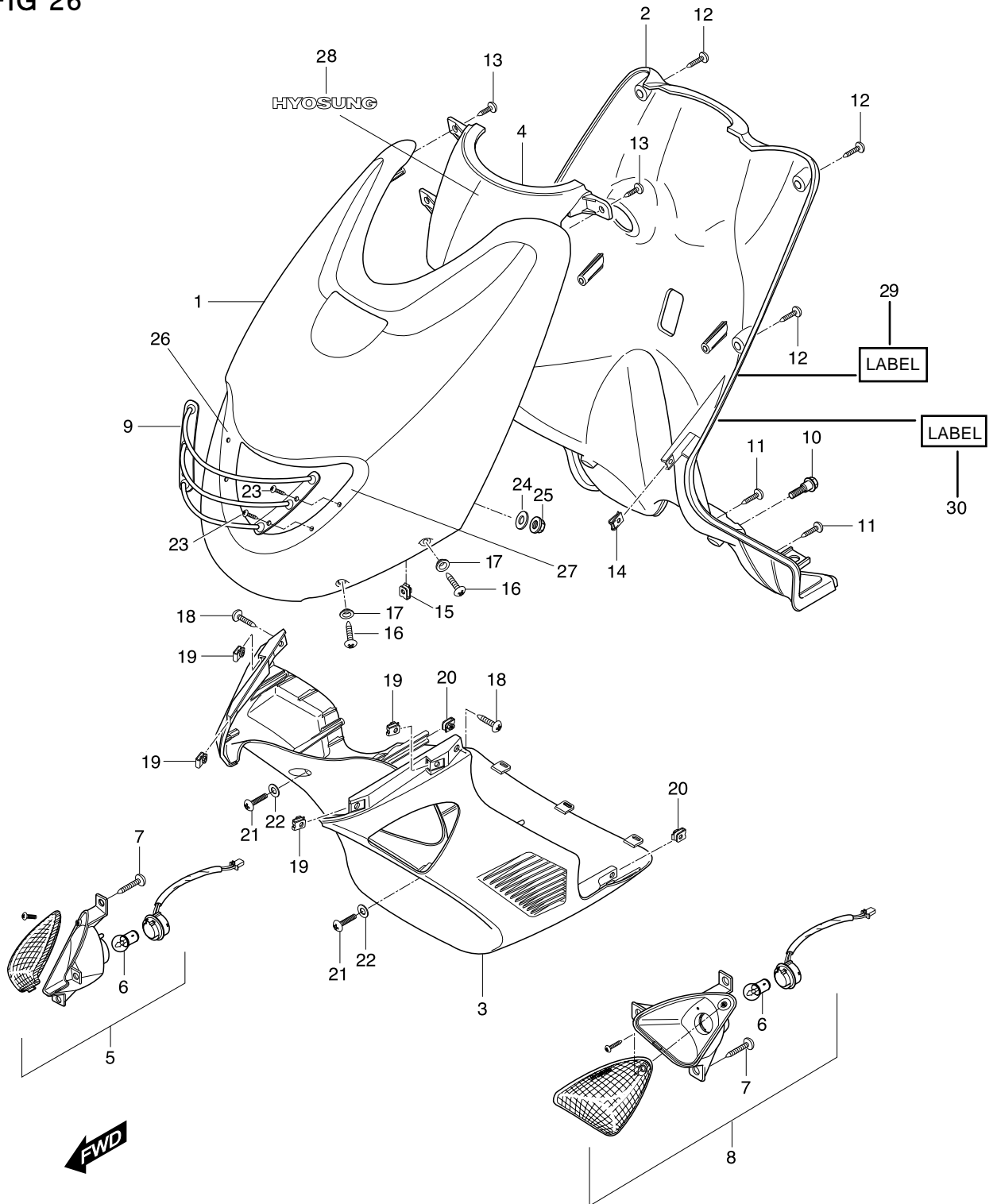


FIG 26. FRONT LEG SHIELD

REF PART NUMBER			PARTS NAME	Q'TY	REMARKS	REC.Q'TY (PCS)
NO.	PEU01	PG01	RAT01			
26	68410HN325010R	68410HN325010R		TAPE,LEG SHIELD R		1
27	68412HN325010R	68412HN325010R		TAPE LEG SHIELD L		1
28	68210HK27100MN	68210HK27100MN	68210HK27100MN	EMBLEM, leg shield front		1
29	68360HG5100PL	68360HG5100PL	68360HG5100PL	LABEL,SIDE STAND		1
30	68319HG2650		68319HG2650	LABEL,CAUTION NO1		1
31			68120HK2770	TAPE, L/SHIELD FT		1

FIG 27

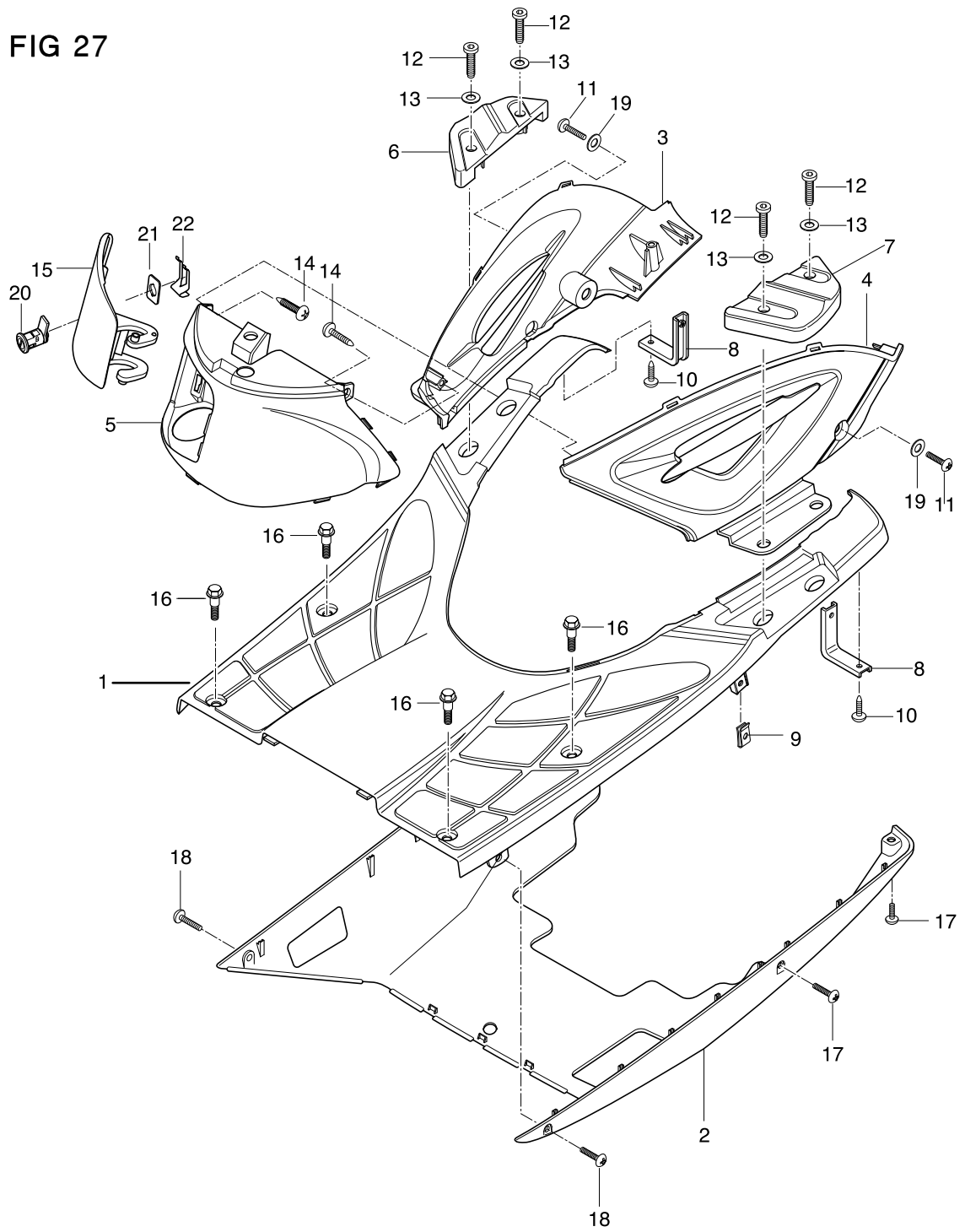


FIG 27. REAR LEG SHIELD

REF PART NUMBER			PARTS NAME	Q'TY	REMARKS	REC.Q'TY (PCS)
NO. PEU01	PG01	RAT01				
1	48121HK270226B	48121HK270226B	48121HK270226B	SHILED, leg rear	1	6
2	48147HK2704	48147HK2704	48147HK2704	SHILED, leg lower rear (color)	1	
3	47151HK270026B	47151HK270026B	47151HK270026B	COVER, side front R	1	
4	47251HK270026B	47251HK270026B	47251HK270026B	COVER, side front L	1	
5	47131HK270026B	47131HK270026B	47131HK270026B	SIDE FRONT, center	1	
6	43611HG2600	43611HG2600	43611HG2600	FOOTREST, pillion R	1	
7	43621HG2600	43621HG2600	43621HG2600	FOOTREST, pillion L	1	
8	47155HG2601	47155HG2601	47155HG2601	PLATE, side cov front & leg rear	2	
9	09148-05020	09148-05020	09148-05020	NUT, leg shield rr& leg rr(M5)	2	
10	03241-05125	03241-05125	03241-05125	SCREW, side cov fr plate & leg rr(M5X12)	2	
11	02142-06125	02142-06125	02142-06125	SCREW, side cover front & plate(M5X12)	2	
12	07110-06256	07110-06256	07110-06256	BOLT, pillion footrest(M6X25)	4	
13	08322-21068	08322-21068	08322-21068	WASHER, pillion footrest	4	
14	03241-05125	03241-05125	03241-05125	SCREW, side cov fr plate & leg rear(M5X12)	2	
15	47141HK270126B	47141HK270126B	47141HK270126B	COVER, fuel tank	2	
16	09111H06E06	09111H06E06	09111H06E06	BOLT, leg shield rear & frame(M6X18.5)	4	
17	03241-05165	03241-05165	03241-05165	SCREW, leg shield low rr & leg rr(M5X16)	4	
18	02142-06255	02142-06255	02142-06255	SCREW, leg shield lower rear & front(M6X25)	2	
19	09169-06034	09169-06034	09169-06034	WASHER, side cover front & plate	2	
20	44200HF4510	44200HF4510	44200HF4510	LOCK ASS'Y, fuel tank	1	
21	92413HF4501	92413HF4501	92413HF4501	WASHER, fuel tank cover	1	
22	92414HF4500	92414HF4500	92414HF4500	LOCK, fuel tank key	1	

FIG 28

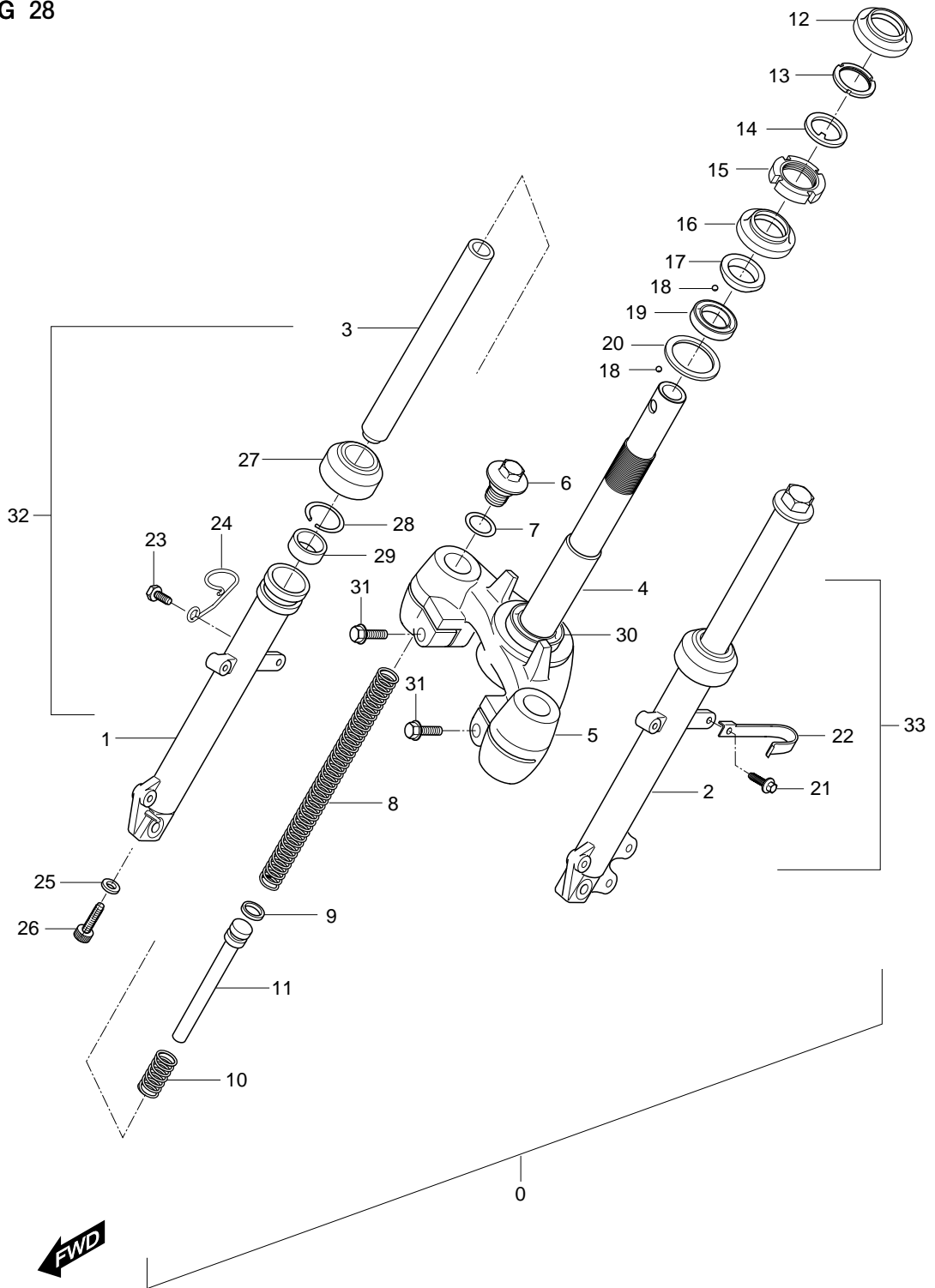


FIG 28. FRONT FORK

REF PART NUMBER			PARTS NAME	Q'TY	REMARKS	REC.Q'TY (PCS)
NO. PEU01	PG01	RAT01				
1	51210HK2700	51210HK2700	51210HK2700	BOTTOM CASE COMP,R		3
2	51220HK2700	51220HK2700	51220HK2700	BOTTOM CASE COMP,L		3
3	51111HG2600	51111HG2600	51111HG2600	FORK, pipe		3
4	51400HG2601	51400HG2601	51400HG2601	STEM, front fork steering	NOT SALE	3
5	51400HG2601	51400HG2601	51400HG2601	UNDER BRACKET ASS'Y		3
6	51351H11A00	51351H11A00	51351H11A00	FORK BOLT		3
7	51181H11A00	51181H11A00	51181H11A00	O-RING, fork bolt		
8	51171HK2700	51171HK2700	51171HK2700	SPRING		
9	51196H11A00	51196H11A00	51196H11A00	PISTON RING		
10	51177H11A00	51177H11A00	51177H11A00	REBOUND SPRING		
11	51146H11A00	51146H11A00	51146H11A00	PIPE SEAT		
12	36618-02100	36618-02100	36618-02100	COVER, steering stem lock		
13	51632-02400	51632-02400	51632-02400	NUT, steering stem lock		
14	09166-26001	09166-26001	09166-26001	WASHER, steering stem lock		
15	51631-28000	51631-28000	51631-28000	NUT, steering stem		
16	51643-25001	51643-25001	51643-25001	DUST SEAL, steering upper		
17	51621-28000	51621-28000	51621-28000	RACE, steering outer upper		
18	06111-06004	06111-06004	06111-06004	BALL, steering stee		47
19	51611-20002	51611-20002	51611-20002	RACE, steering inner upper		1
20	51612-04000	51612-04000	51612-04000	RACE, steering inner lower		1
21	01174-06168	01174-06168	01174-06168	BOLT, brake hose clamp		1
22	59268HG2600	59268HG2600	59268HG2600	CLAMP, brake hose		1
23	01174-06168	01174-06168	01174-06168	BOLT, speedometer cable guide		1
24	51418H11A00	51418H11A00	51418H11A00	GUIDE, speedometer cable		1
25	51148H11A00	51148H11A00	51148H11A00	PACKING		2

FIG 28. FRONT FORK

REF PART NUMBER			PARTS NAME	Q'TY	REMARKS	REC.Q'TY (PCS)
NO. PEU01	PG01	RAT01				
26	51147H11A00	51147H11A00	51147H11A00	SOCKET,bolt		2
27	51173H11A00	51173H11A00	51173H11A00	DUST BOOT		2
28	51156H11A00	51156H11A00	51156H11A00	STOPPER RING,oil seal		2
29	51153H11A00	51153H11A00	51153H11A00	OIL SEAL,front fork		2
30	51622-04000	51622-04000	51622-04000	RACE, steering outer lower		1
31	07110-08258	07110-08258	07110-08258	BOLT, fork clip		2
31-1	08321-31086	08321-31086	08321-31086	LOCK WASHER, fork		2
32	51210HK2700	51210HK2700	51210HK2700	FRONT FORK COMP,R		1
33	51220HK2700	51220HK2700	51220HK2700	FRONT FORK COMP,L		1

FIG 29

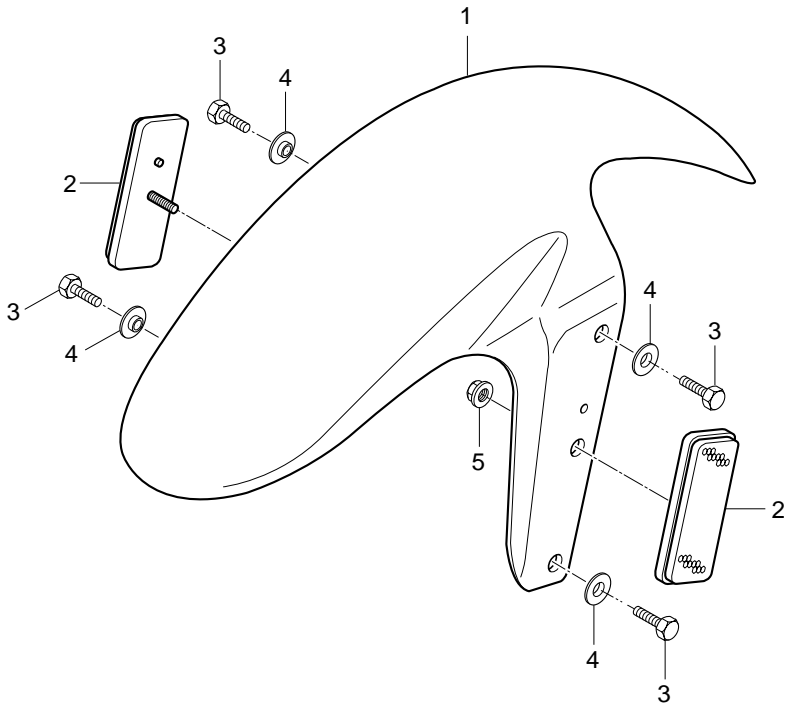


FIG 29. FRONT FENDER

REF PART NUMBER			PARTS NAME	Q'TY	REMARKS	REC.Q'TY (PCS)
NO. PEU01	PG01	RAT01				
1	53111HG2602	53111HG2602	53111HG2602	FRONT, fender (color)	1	10
2	35950HG2601	35950HG2601		REFLEX REFLECTOR ASS'Y, side	2	
3	01104-06205	01104-06205	01104-06205	BOLT, front fender	4	
4	09169-06034	09169-06034	09169-06034	WASHER, front fender	4	
5	08316-26055	08316-26055	08316-26055	NUT, rear reflex reflector	2	

FIG 30

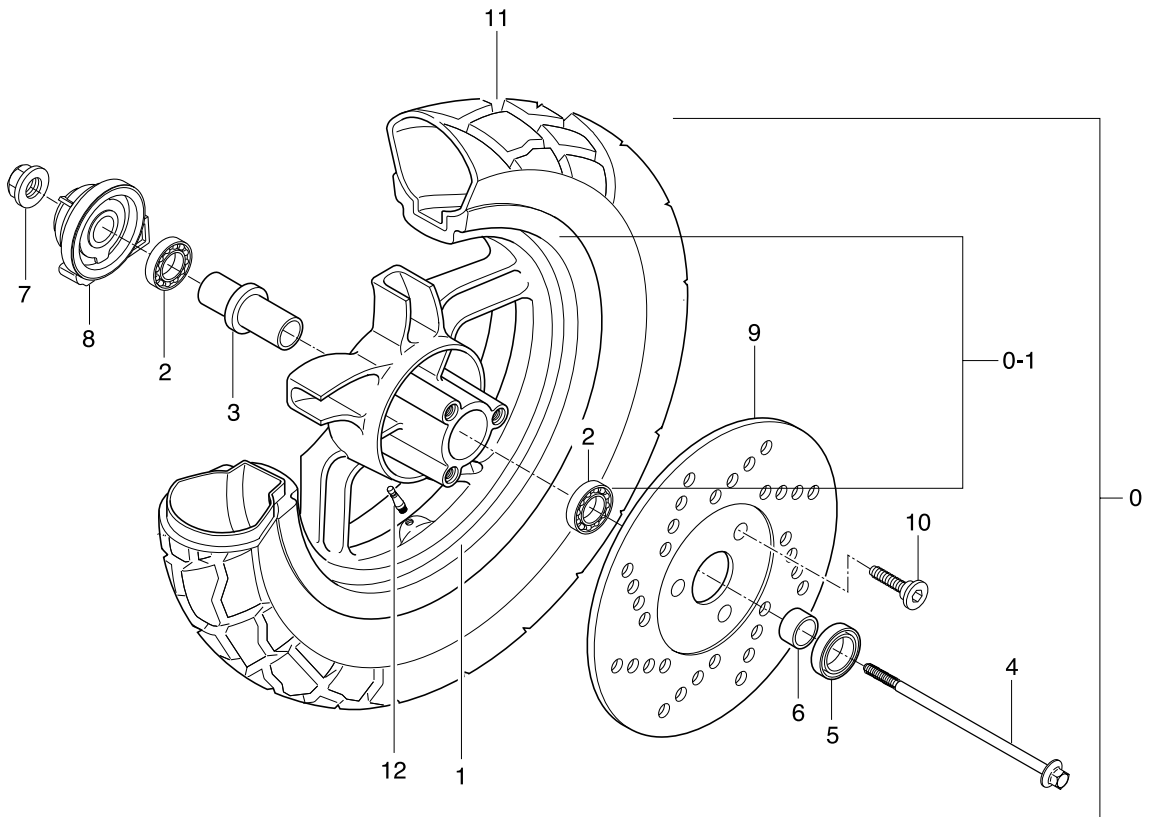


FIG 30. FRONT WHEEL

REF PART NUMBER			PARTS NAME	Q'TY	REMARKS	REC.Q'TY (PCS)
NO. PEU01	PG01	RAT01				
0	54150SG2600HPA	54150SG2600HPA	54150SG2600HPA	WHEEL+TIRE SET, front	1	3
0-1	54140HG2601HPA	54140HG2601HPA	54140HG2601HPA	WHEEL COMP, front	1	
1	54141HG2601	54141HG2601	54141HG2601	WHEEL COMP, front 2.75x10	1	
2	08123-62007	08123-62007	08123-62007	BEARING, front wheel(6200)	2	
3	54730HG2600	54730HG2600	54730HG2600	SPACER COMP, front wheel	1	
4	54711HE7100	54711HE7100	54711HE7100	AXLE, front	1	2
5	09285-16002	09285-16002	09285-16002	DUST SEAL, front hub bearing L	1	
6	54741-29C00	54741-29C00	54741-29C00	SPACER, front axle L	1	
7	08319-31108	08319-31108	08319-31108	NUT, front axle(M10)	1	
8	54600HG2600	54600HG2600	54600HG2600	BOX ASS'Y, speedometer gear	1	
9	59211-29C10	59211-29C10	59211-29C10	DISC, front brake	1	3
10	59421-03A01	59421-03A01	59421-03A01	BOLT, front brake disc(M8x20)	3	
11	55109HG2601	55109HG2601	55109HG2601	TIRE SET, front 120/90-10 47J	1	5
12	55220-29C20	55220-29C20	55220-29C20	VALVE ASS'Y, wheel rim	1	

FIG 31

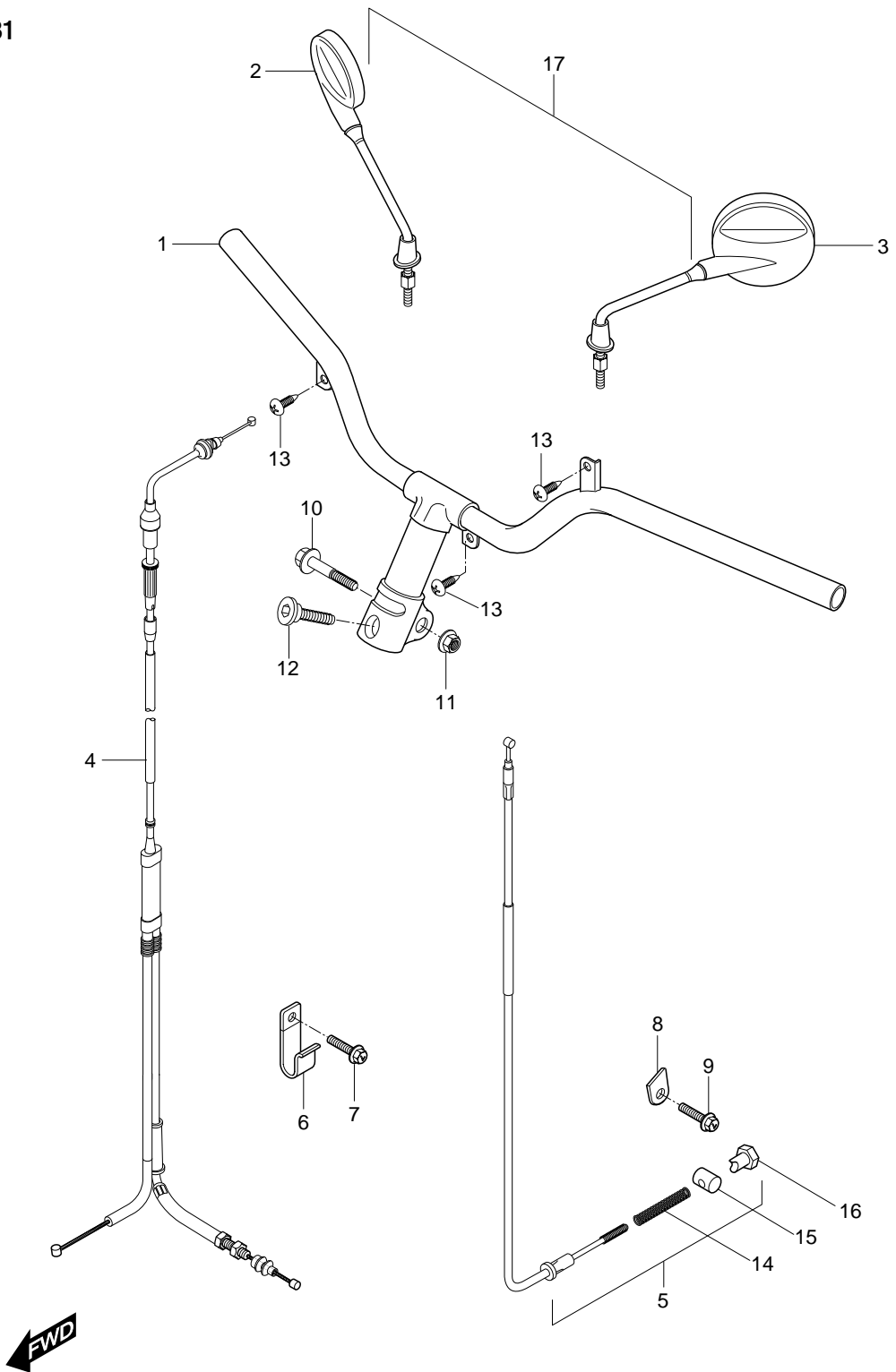


FIG 31. HANDLE BAR

REF PART NUMBER			PARTS NAME	Q'TY	REMARKS	REC.Q'TY (PCS)
NO. PEU01	PG01	RAT01				
1	56100HG2602	56100HG2602	56100HG2602	BAR COMP, handel	1	2
2	56500HG2604	56500HG2604	56500HG2604	MIRROR ASS'Y, rear view R	1	10
3	56600HG2604	56600HG2604	56600HG2604	MIRROR ASS'Y, rear view L	1	10
4	58300HK2700	58300HK2700	58300HK2700	CABLE ASS'Y, throttle	1	3
5	58510HK2701	58510HK2701	58510HK2701	CABLE COMP, rear brake	1	5
6	09403-09301	09403-09301	09403-09301	GUIDE, rear brake cable	1	
7	01134-06128	01134-06128	01134-06128	BOLT, cable guide	1	
8	58591H11A00	58591H11A00	58591H11A00	PLATE, rear brake cable	1	
9	01134-06208	01134-06208	01134-06208	BOLT, rear brake cable plate	1	
10	09103-10055	09103-10055	09103-10055	BOLT, handlebar clamp	1	
11	08319-31108	08319-31108	08319-31108	NUT, handlebar clamp	1	
12	56123-29C00	56123-29C00	56123-29C00	BOLT, handlebar	1	
13	03241-05165	03241-05165	03241-05165	SCREW, handlebar & handle cover RR	3	
14	09440H06013	09440H06013	09440H06013	SPRING	1	
15	09209H11005	09209H11005	09209H11005	LEVER PIN	1	
16	09150-01501	09150-01501	09150-01501	ADJUST NUT, rear brake	1	
17	56501HG2604	56501HG2604	56501HG2604	MIRROR SET, rear view	1	

FIG 32

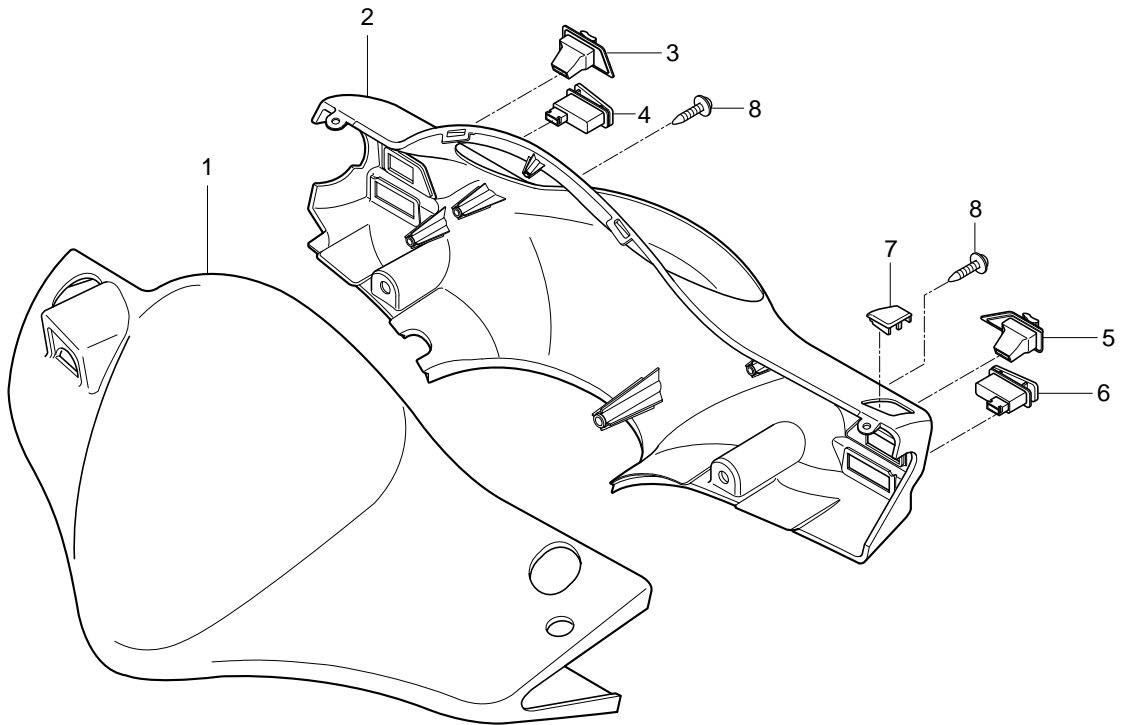


FIG 32. HANDLE COVER

REF PART NUMBER			PARTS NAME	Q'TY	REMARKS	REC.Q'TY (PCS)
NO. PEU01	PG01	RAT01				
1	56311HG2602	56311HG2602	56311HG2602	COVER, handle front (color)	1	10
2	56321HG2600	56321HG2600	56321HG2600	COVER, handle rear (color)	1	10
3	37210HE6100	37210HE6100	37210HE6100	SWITCH ASS'Y, lighting	1	5
4	37220HE6100	37220HE6100	37220HE6100	SWITCH ASS'Y, start	1	5
5	37410HF4530	37410HF4530	37410HF4530	SWITCH ASS'Y, turn signal	1	5
6	37420HE6100	37420HE6100	37420HE6100	SWITCH ASS'Y, horn	1	5
7	37430HE6100	37430HE6100	37430HE6100	CAP, handle cover rear	1	
8	03241-05165	03241-05165	03241-05165	SCREW, handle cover rear & front	2	

FIG 33

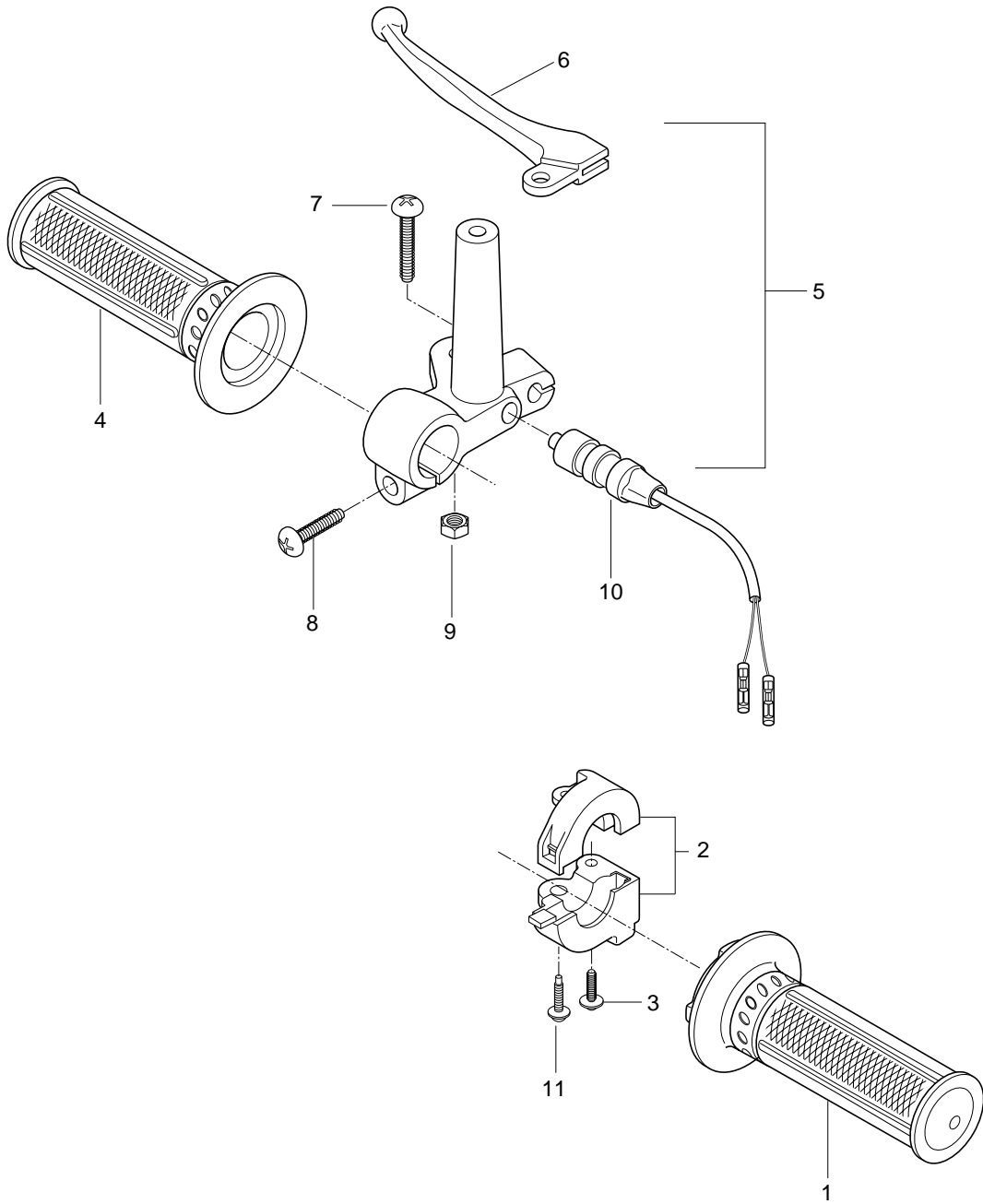


FIG 33. HANDLE SWITCH

REF PART NUMBER			PARTS NAME	Q'TY	REMARKS	REC.Q'TY (PCS)
NO. PEU01	PG01	RAT01				
1	57110HE7101	57110HE7101	57110HE7101	GRIP COMP, throttle	1	3
2	57100-29C00	57100-29C00	57100-29C00	CASE ASS'Y, throttle case	1	
3	02112-05028	02112-05028	02112-05028	SCREW, throttle case	1	
4	57211HE7101	57211HE7101	57211HE7101	GRIP, L	1	
5	57500HG2602	57500HG2602	57500HG2602	BRAKE LEVER REAR & SWITCH	1	
6	57421HG2601	57421HG2601	57421HG2601	LEVER, rear break	1	20
7	57431-13010	57431-13010	57431-13010	SCREW (M5×25)	1	
8	02112-06205	02112-06205	02112-06205	SCREW (M6×20)	1	
9	08319-21065	08319-21065	08319-21065	NUT (M5)	1	
10	57460-17C00	57460-17C00	57460-17C00	SWITCH, rear break stop	1	5
11	09136-05040	09136-05040	09136-05040	SCREW, throttle case(M5×16)	1	

FIG 34

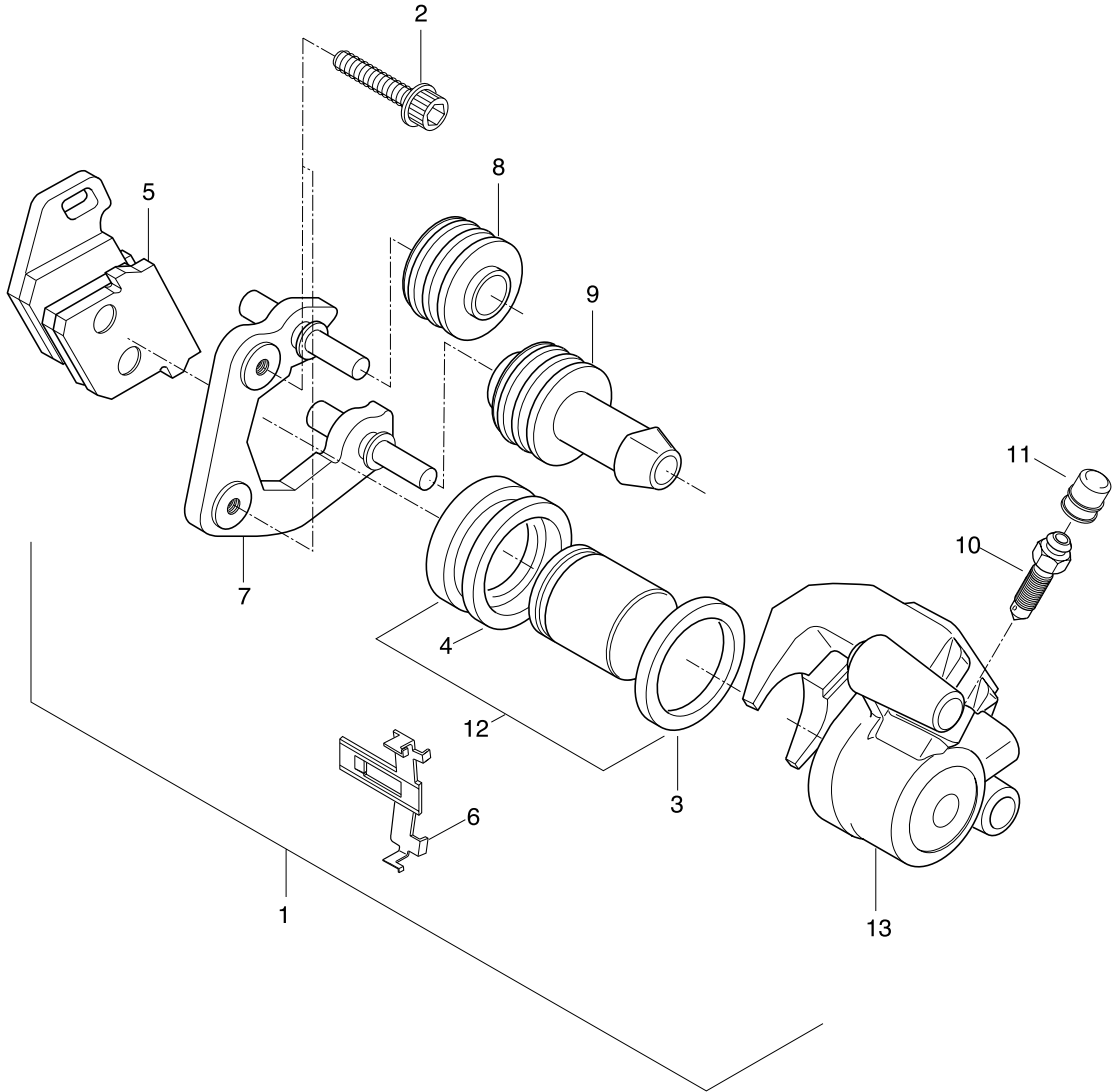


FIG 34. CALIPER

REF PART NUMBER			PARTS NAME	Q'TY	REMARKS	REC.Q'TY (PCS)
NO. PEU01	PG01	RAT01				
1	59300-03A3090U	59300-03A3090U	59300-03A3090U	CALIPER ASS'Y	1	5
2	07120-08208	07120-08208	07120-08208	BOLT, caliper(M8×20)	2	
3	59170-03A00	59170-03A00	59170-03A00	SEAL	1	NOT SALE
4	59308-03A00	59308-03A00	59308-03A00	BOOT	1	NOT SALE
5	59300-41D00	59300-41D00	59300-41D00	PAD SET	1	20
6	59315-36500	59315-36500	59315-36500	SPRING	1	
7	59313-36A00	59313-36A00	59313-36A00	CARRIER, L	1	NOT SALE
8	59312-36500	59312-36500	59312-36500	BOOT	1	NOT SALE
9	59313-36500	59313-36500	59313-36500	INSULATOR	1	NOT SALE
10	59121-18410	59121-18410	59121-18410	BLEEDER	1	
11	59122H18420	59122H18420	59122H18420	CAP	1	
12	59300-03810	59300-03810	59300-03810	PISTON SET	1	NOT SALE
13	59360-03A31	59360-03A31	59360-03A31	HOUSING, caliper	1	NOT SALE

FIG 35

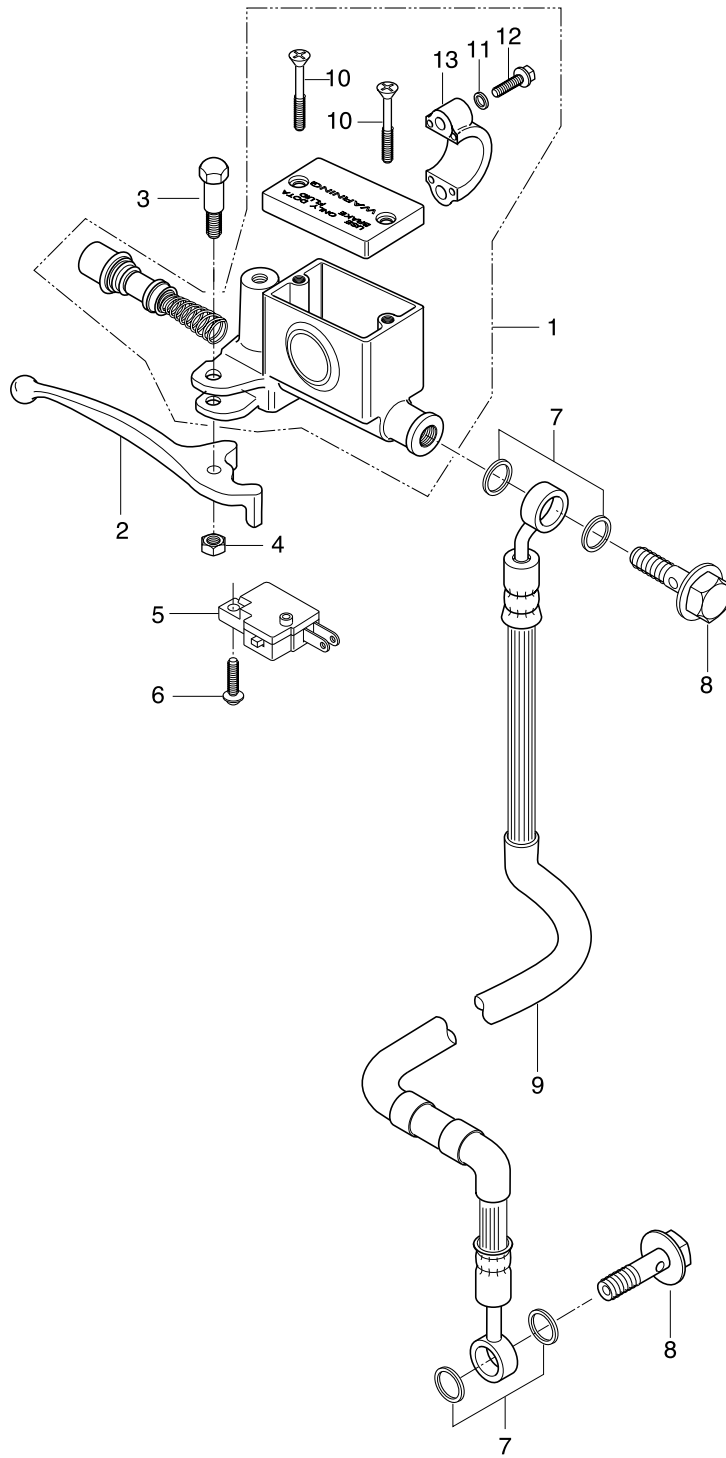


FIG 35. MASTER CYLINDER

REF PART NUMBER			PARTS NAME	Q'TY	REMARKS	REC.Q'TY (PCS)
NO. PEU01	PG01	RAT01				
1	59600HG2601	59600HG2601	59600HG2601	CYLINDER SET, front master	1	4
2	57421HG2601	57421HG2601	57421HG2601	LEVER, brake	1	5
3	57431-13010	57431-13010	57431-13010	SCREW, brake lever pivot	1	
4	08319-21065	08319-21065	08319-21065	NUT, brake lever pivot(M6)	1	
5	57460-17C00	57460-17C00	57460-17C00	SWITCH ASS'Y, stop	1	5
6	02112-74108	02112-74108	02112-74108	SCREW, stop switch(M4×10)	1	
7	09161-10005	09161-10005	09161-10005	WASHER, brake fluid	4	
8	09360-10039	09360-10039	09360-10039	BOLT, brake fluid(M10×39)	2	
9	59480HG2602	59480HG2602	59480HG2602	HOSE COMP, front brake	1	1
10	59691-35C00	59691-35C00	59691-35C00	SCREW	2	
11	08322-21064	08322-21064	08322-21064	WASHER	1	
12	09360-10039	09360-10039	09360-10039	BOLT	1	
13	59671-35C00	59671-35C00	59671-35C00	HOLDER	1	

FIG 36. REAR FENDER

REF PART NUMBER			PARTS NAME	Q'TY	REMARKS	REC.Q'TY (PCS)
NO. PEU01	PG01	RAT01				
1	47161HG260726B	47161HG260726B	47161HG260726B	COVER, side lower		
2	63111HG260526B	63111HG260526B	63111HG260526B	REAR FENDER, rear upper		5
3	63112HG260126B	63112HG260026B	63112HG260126B	REAR FENDER, rear lower		2
4	01517-06165	01517-06165	01517-06165	BOLT, rr fen rr up & side cov lower(M6X16)		
5	09169H06077	09169H06077	09169H06077	WASHER, rr fen rr up & side cov lower		
6	09136-06017	09136-06017	09136-06017	SCREW, rear fen rear upper & lower(M6X16)		
7	08316-16068	08316-16068	08316-16068	NUT, rear fender rear upper & lower(M6)		2
8	35970-24D63	35970-24D63	35970-24D63	REFLEX REFLECTOR ASS'Y, rear		
9	35971HF1600	35971HF1600	35971HF1600	CUSHION, reflex reflector		
10	09160-08002	09160-08002	09160-08002	WASHER, license lamp	NOT SALE	
11	08316-26055	08316-26055	08316-26055	NUT, rear reflex reflector(M5)		
12	03241-05255	03241-05255	03241-05255	SCREW, side cover lower & side cover(M5X25)		
13	09169-05009	09169-05009	09169-05009	WASHER, side cover lower & side cover		
14	09148-05039	09148-05039	09148-05039	NUT, side cover lower(M5)		
15	62100HG2602	62100HG2602	62100HG2602	ABSORBER ASS'Y, rear shock		2
16	09103-10019	09103-10019	09103-10019	BOLT, rear shock absorber(M10X40)		
17	09169-06034	09169-06034	09169-06034	WASHER, rr fender rr up & side cov lower		
18	02142-05305	02142-05305	02142-05305	SCREW, side cover lower & frame(M5X30)		
19	09169-05009	09169-05009	09169-05009	WASHER, side cover lower & frame		
20	35927HG2651	35927HG2651	35927HG2651	BKT,LICENSE PLT		

FIG 37

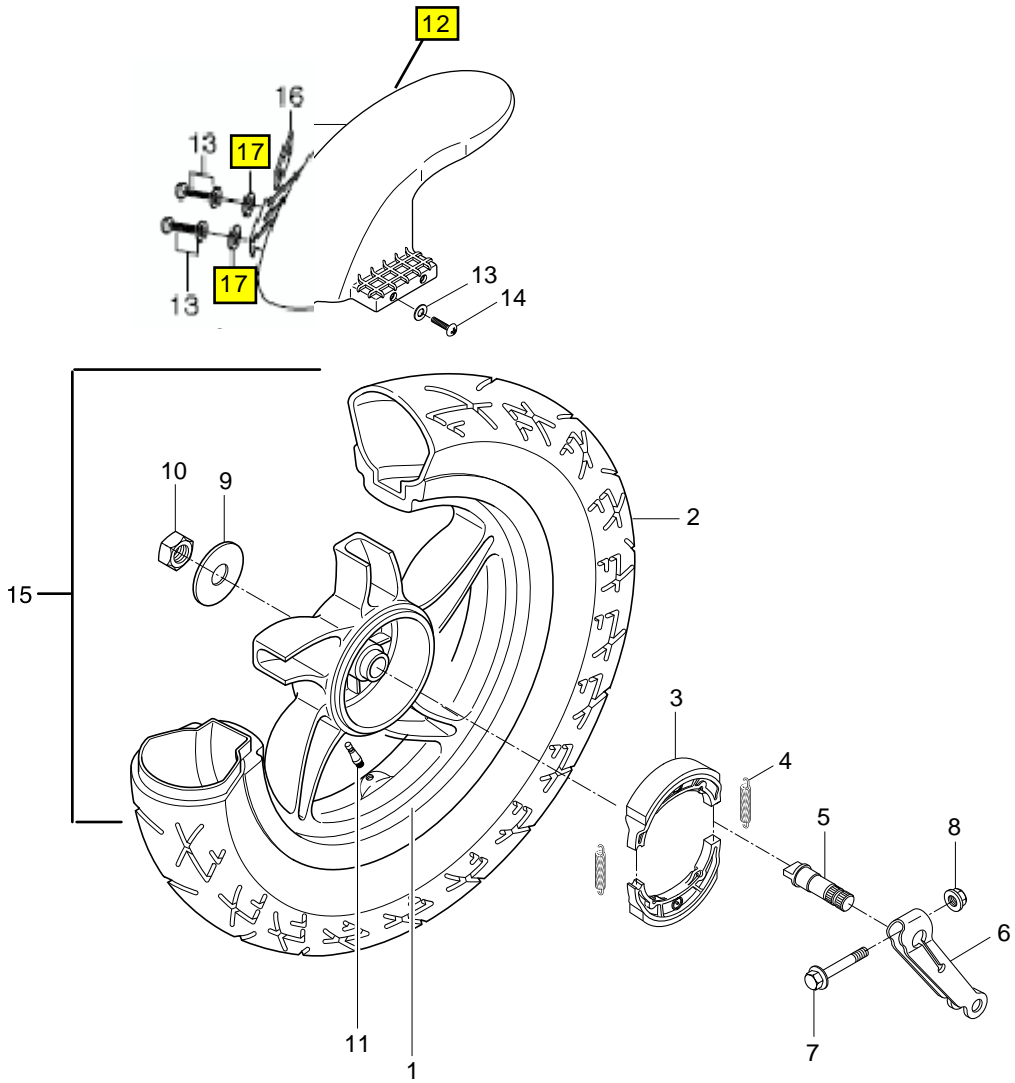


FIG 37. REAR WHEEL

REF PART NUMBER			PARTS NAME	Q'TY	REMARKS	REC.Q'TY (PCS)
NO.	PEU01	PG01				
1	64140HG2601	64140HG2601	64140HG2601	WHEEL COMP, rear 3.00x12		3
2	65109HG2601	65109HG2601	65109HG2601	TIRE SET, rear 120/70-12 51J		5
3	64400HG2600	64400HG2600	64400HG2600	SHOE COMP, brake		15
4	09443H08025	09443H08025	09443H08025	SPRING, brake shoe		
5	64441H11201	64441H11201	64441H11201	CAM, rear brake		
6	64451-02111	64451-02111	64451-02111	LEVER, rear brake cam		
7	12812-30A00	12812-30A00	12812-30A00	BOLT, rear cam lever		
8	08316-16068	08316-16068	08316-16068	NUT, rear brake cam lever		
9	09160-16025	09160-16025	09160-16025	WASHER, rear axle		
10	08319-21168	08319-21168	08319-21168	NUT, rear axle		
11	55220-29C20	55220-29C20	55220-29C20	VALVE ASS'Y, wheel rim		
12	63115HG260626B	63115HG260626B	63115HG260626B	REAR FENDER, front		
13	09169-06034	09169-06034	09169-06034	WASHER, rear fender front		
14	02142-06165	02142-06165	02142-06165	SCREW, rear fender front		
15	64140SG2600HPA	64140SG2600HPA	64140SG2600HPA	WHEEL + TIRE SET, rear		
16			63117HP5300	HEAT SHIELD RR FEN FT	KM4CA14C851116310~	5
17			63118HP5300	HEAT SHIELD RR FEN FT OUTER	KM4CA14C851116310~	10